

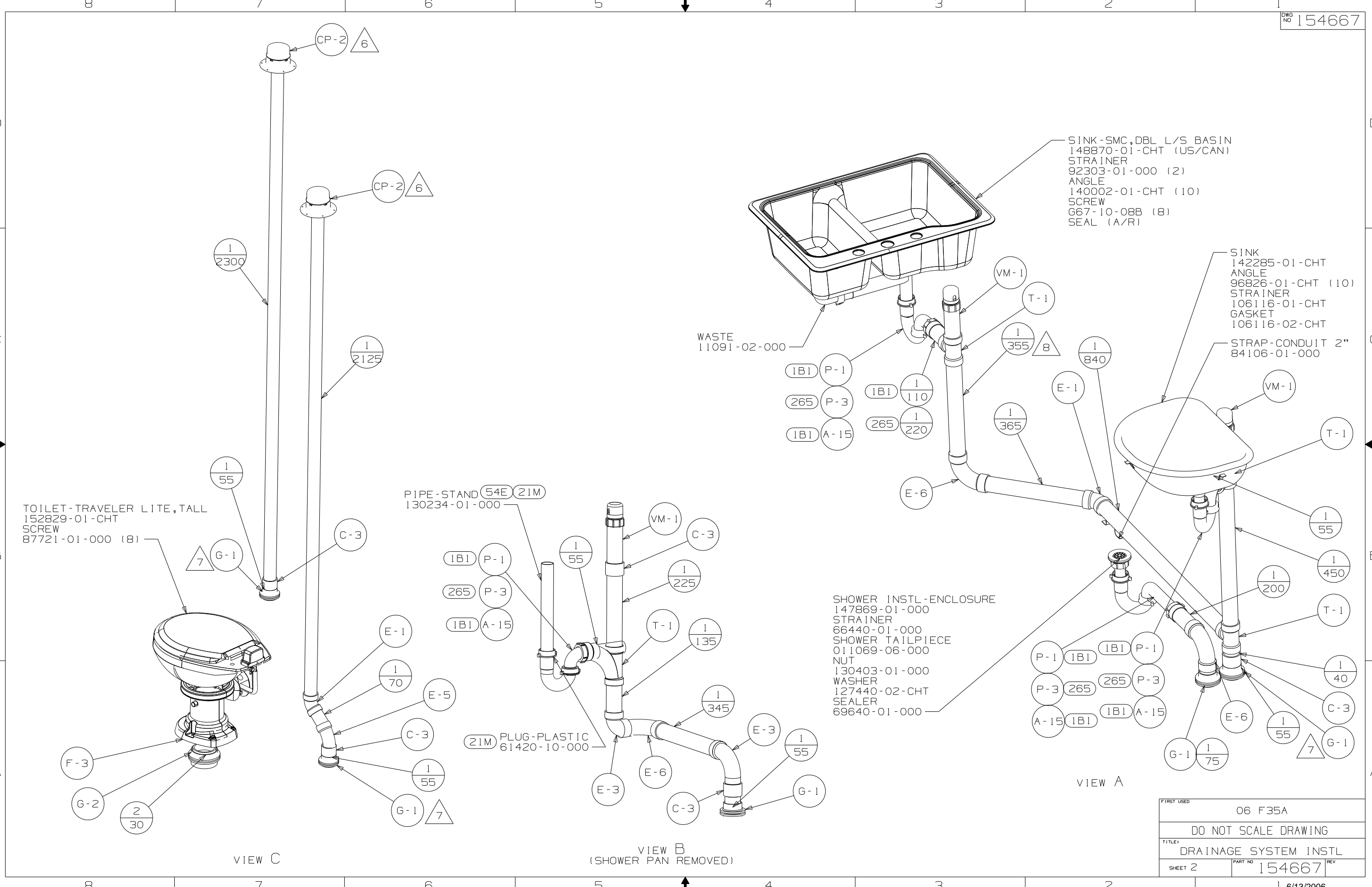
- (54E) WASHER/DRYER
- (21M) WASHER/DRYER PREP
- (265) CODES/STANDARDS-CSA/CMVSS
- (1B1) CODES/STANDARDS-USA

FRONT OF
VEHICLE

- NOTES:
7. SECURE VENT TUBES TO FLOOR WITH CLAMP 62401-02-000 (2), SCREW G67-10-12B (2), BRACKET 136878-01-CHT (2).
 6. VENT PIPE MUST PROJECT 51 MIN AND 64 MAX ABOVE ROOF FOR PROPER FIT AND FUNCTION.
 5. SEAL AROUND SHOWER WITH SILICONE.
 4. ALL EXTERIOR OPENINGS AROUND PIPE TO BE SEALED WITH 131264-03-000.
 3. ALL PIPE AND FITTINGS TO BE ASSEMBLED WITH SOLVENT 4020-01-000 (USA), 4020-02-000 (CAN)
 2. SLOPE OF TRAP ARM MUST BE 6 PER 305 mm.
 1. SLOPE OF HORIZONTAL PIPING TO BE MIN 3 PER 305 mm.

(X-X)
FOR
DRAINAGE
CALLOUTS
SEE DWG NO
116229-01-000

WINNEBAGO		COPYRIGHT 2006 WINNEBAGO INDUSTRIES, INC.	
DFT	ORIG. DATE	ALL DIMENSIONS ARE IN MILLIMETERS	
CHKR		FIRST USED	
P.E.		06 F35A	
M.E.		UNSPECIFIED TOLERANCES ARE:	
DSNR		MATERIAL:	
		WHOLE DIM (X)	: 5
		ONE-PLACE (X.X)	:
		TWO-PLACE (X.XX)	:
		ANGLE	:
THIRD ANGLE PROJECTION		DO NOT SCALE DRAWING	
TITLE: DRAINAGE SYSTEM INSTL			
SHEET 1 OF 3	PART NO	154667	REV
REF1	1 6/13/2006		



SINK-SMC, DBL L/S BASIN
 148870-01-CHT (US/CAN)
 STRAINER
 92303-01-000 (2)
 ANGLE
 140002-01-CHT (10)
 SCREW
 G67-10-08B (8)
 SEAL (A/R)

SINK
 142285-01-CHT
 ANGLE
 96826-01-CHT (10)
 STRAINER
 106116-01-CHT
 GASKET
 106116-02-CHT

STRAP-CONDUIT 2"
 84106-01-000

WASTE
 11091-02-000

PIPE-STAND
 130234-01-000

PLUG-PLASTIC
 61420-10-000

SHOWER INSTL-ENCLOSURE
 147869-01-000
 STRAINER
 66440-01-000
 SHOWER TAILPIECE
 011069-06-000
 NUT
 130403-01-000
 WASHER
 127440-02-CHT
 SEALER
 69640-01-000

TOILET-TRAVELER LITE, TALL
 152829-01-CHT
 SCREW
 87721-01-000 (8)

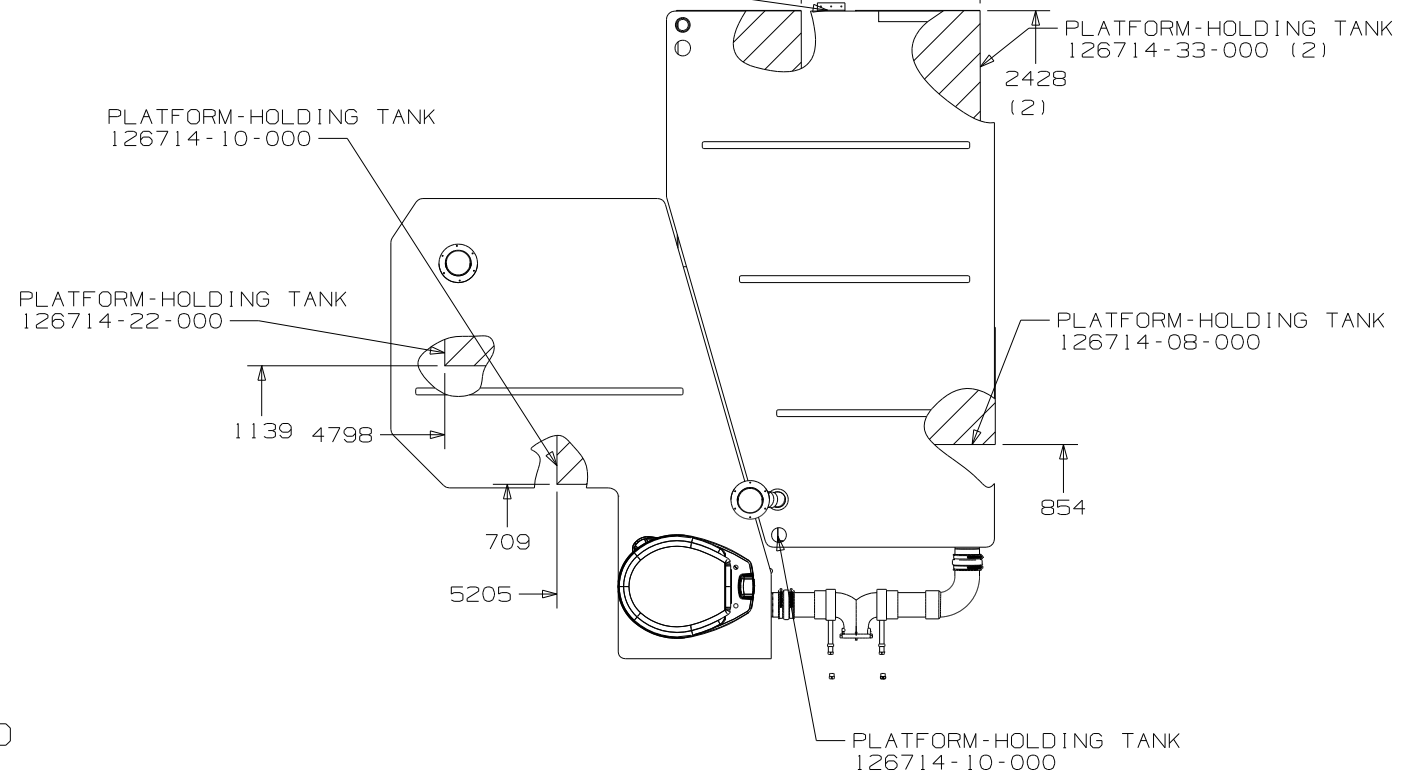
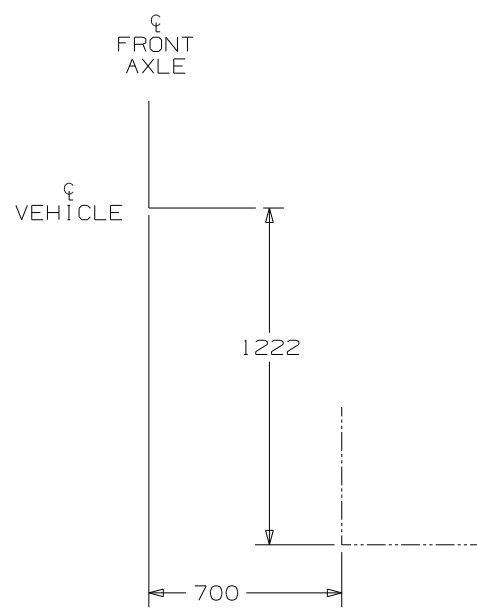
VIEW C

VIEW B
(SHOWER PAN REMOVED)

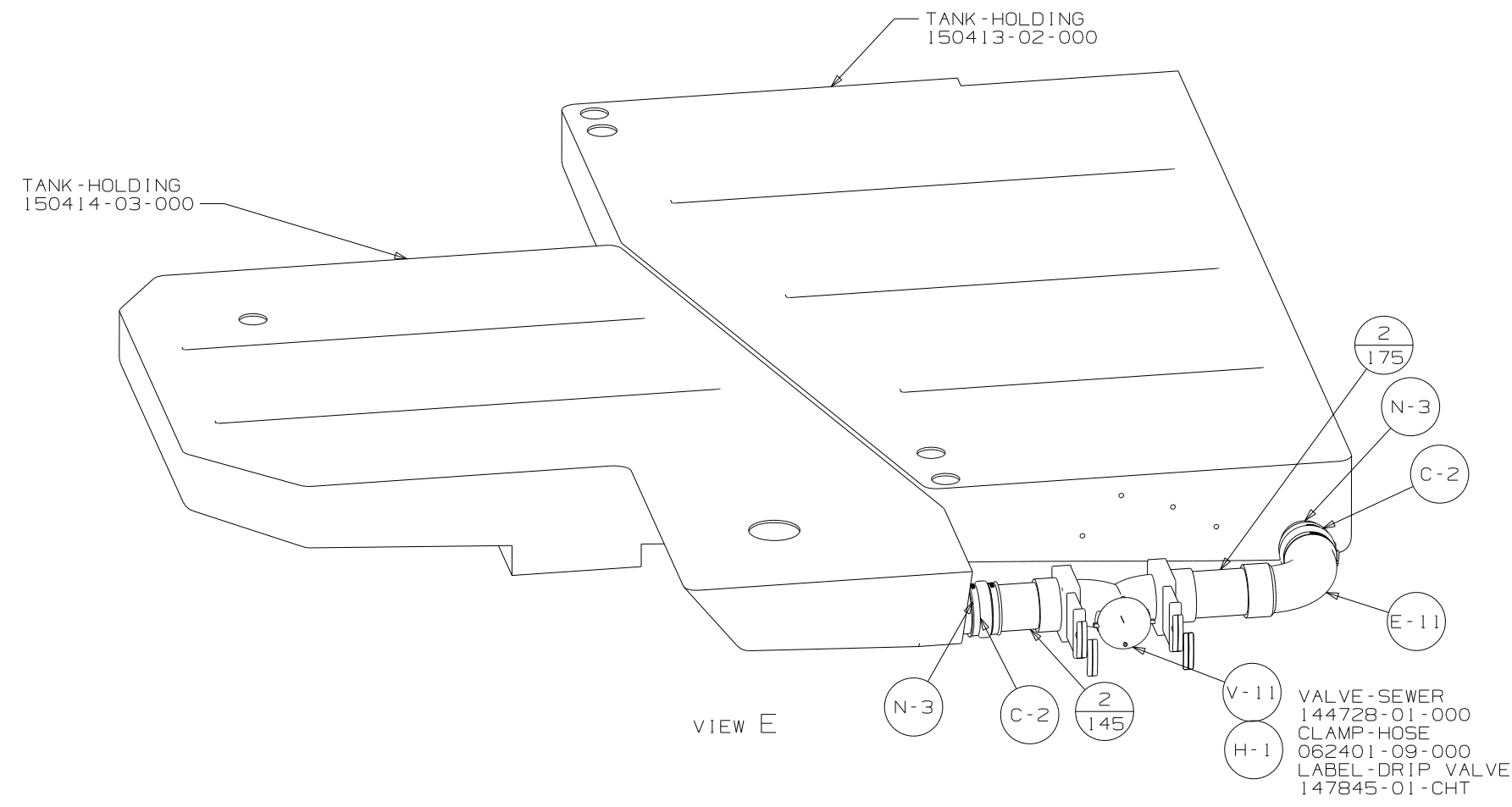
VIEW A

FIRST USED	06 F35A	
TITLE	DRAINAGE SYSTEM INSTL	
SHEET 2	PART NO	154667
REV		

BRACKET - ANGLE, W/HOLES
94756-02-CHT

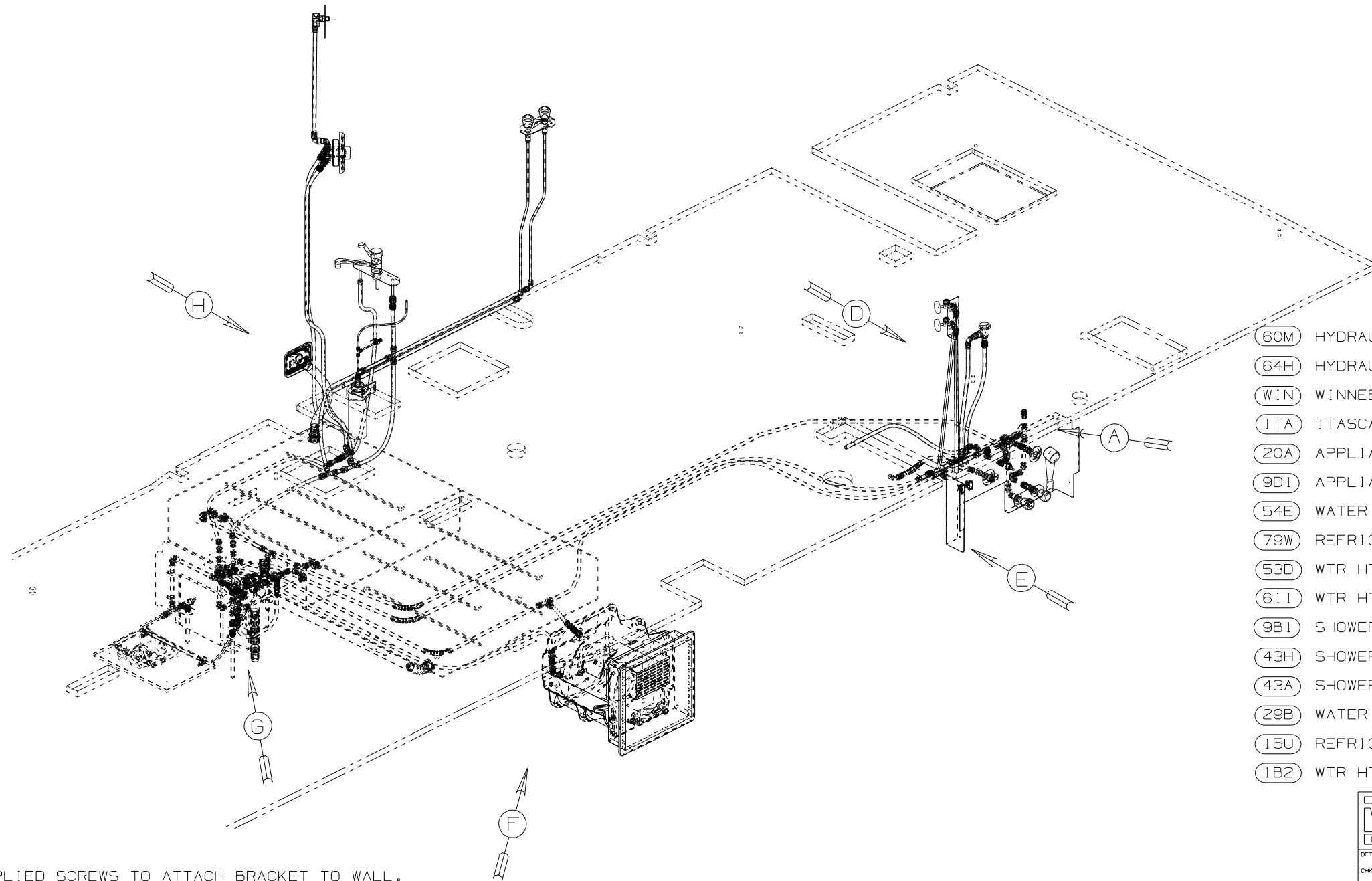


VIEW D



VIEW E

FIRST USED	06 F35A	
TITLE	DO NOT SCALE DRAWING	
	DRAINAGE SYSTEM INSTL	
SHEET 3	PART NO	154667
	REV	



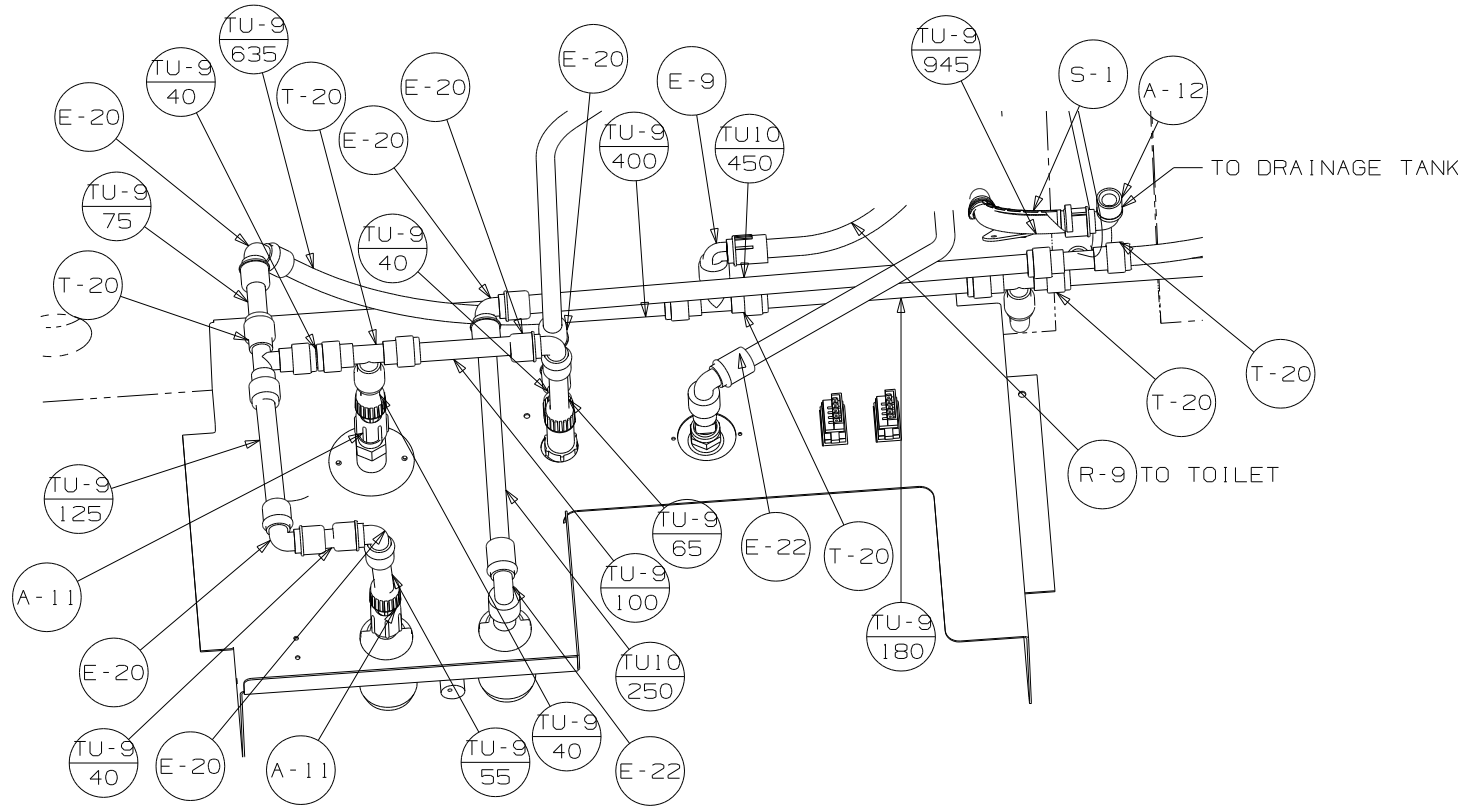
- (60M) HYDRAULIC LEVEL JACKS-AUTO
- (64H) HYDRAULIC LEVELING JACKS
- (WIN) WINNEBAGO ONLY
- (ITA) ITASCA ONLY
- (20A) APPLIANCE PKG-STAINLESS S W/O
- (9D1) APPLIANCE PKG-STAINLESS STEEL
- (54E) WATER SYST WINTERIZATIO PKG
- (79W) REFRIGERATOR-4 DOOR
- (53D) WTR HTR-6GAL/ELE/LP/MOTORAID
- (611) WTR HTR-AUX AUTO/MOTORAID
- (9B1) SHOWER PACKAGE
- (43H) SHOWER HEAD-HAND HELD
- (43A) SHOWER HEAD-FIXED
- (29B) WATER PURIFIER
- (15U) REFRIGERATOR/FRZR W/ICEMAKER
- (1B2) WTR HTR-10 GAL/ELEC/LP/MTRAID

- △7 USED IN PLACE OF SUPPLIED SCREWS TO ATTACH BRACKET TO WALL.
 - △6 ADD TEFLON TAPE 10405-01-000.
 - △4 ADD TEFLON TAPE 10405-02-000.
3. ALL TUBING TO BE SECURED AT 1200 INTERVALS MAXIMUM WITH CLAMP 10495-01-000 OR CLIP 9151-01-000 AND SCREW G67-10-12B.
 2. TUBING TO BE INSTALLED WITH SUFFICIENT SLOPE TO PROVIDE DRAINAGE TO NEAREST VALVE.
 1. PLASTIC FITTINGS TO BE SEALED WITH SEALANT 84456-01-000.

NOTES:

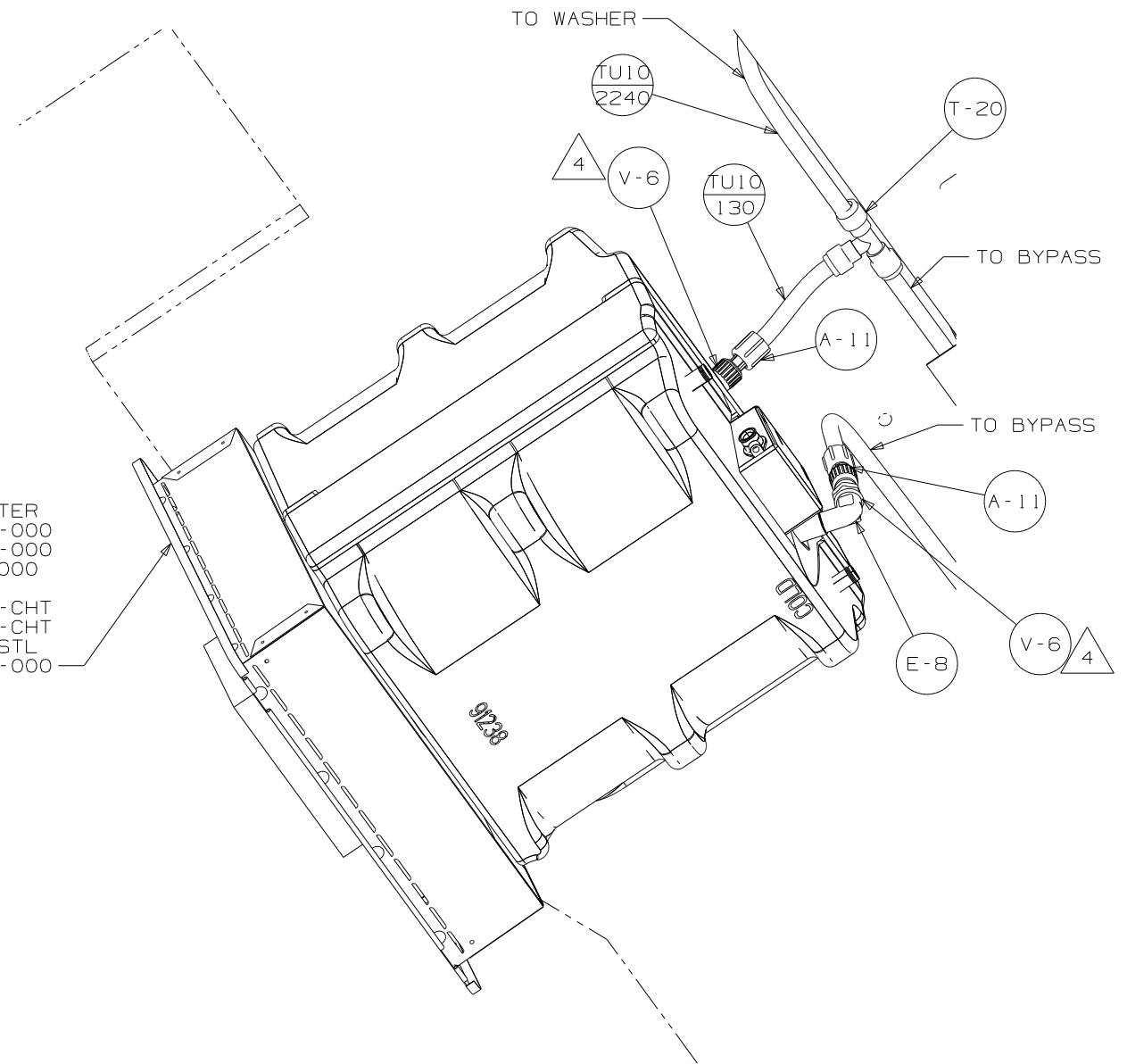
WINNEBAGO		COPYRIGHT 2006 WINNEBAGO INDUSTRIES, INC.	
DFTR	ORIG. DATE		
CHKR	ALL DIMENSIONS ARE IN MILLIMETERS		
P.E.	FIRST USED	06 F35A	
M.E.			
DSNR			
UNSPECIFIED TOLERANCES ARE:		MATERIAL:	
WHOLE DIM (X)	: 7		
ONE-PLACE (X.X)	:		
TWO-PLACE (X.XX)	:		
ANGLE	:		
THIRD ANGLE PROJECTION			
DO NOT SCALE DRAWING			
TITLE: WATER SYSTEM INSTL			
SHEET 1 OF 4	PART NO	154666	REV
REF:	1 6/13/2006		

(X-X)
FOR
WATER
CALLOUTS
SEE DWG NO
116230-01-000



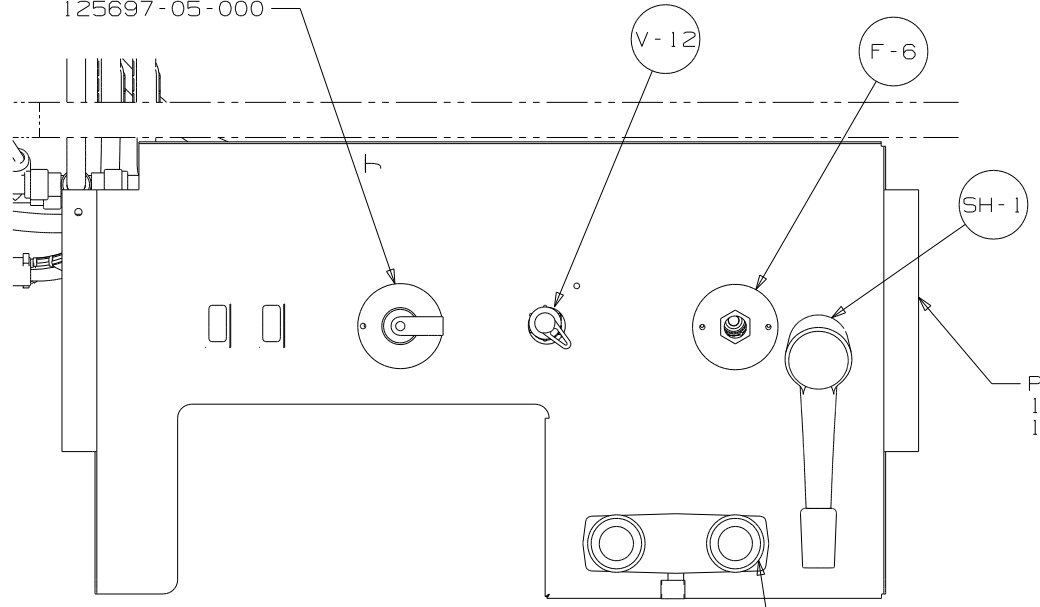
VIEW E

- (IB2) (54E) WATER HEATER 145541-01-000
- (53D) 145541-02-000
- (611) 51393-01-000
- (IB2) (54E) 125420-03-CHT DOOR
- (611) (53D) 125420-04-CHT BUMPER INSTL
- 146507-01-000



VIEW G

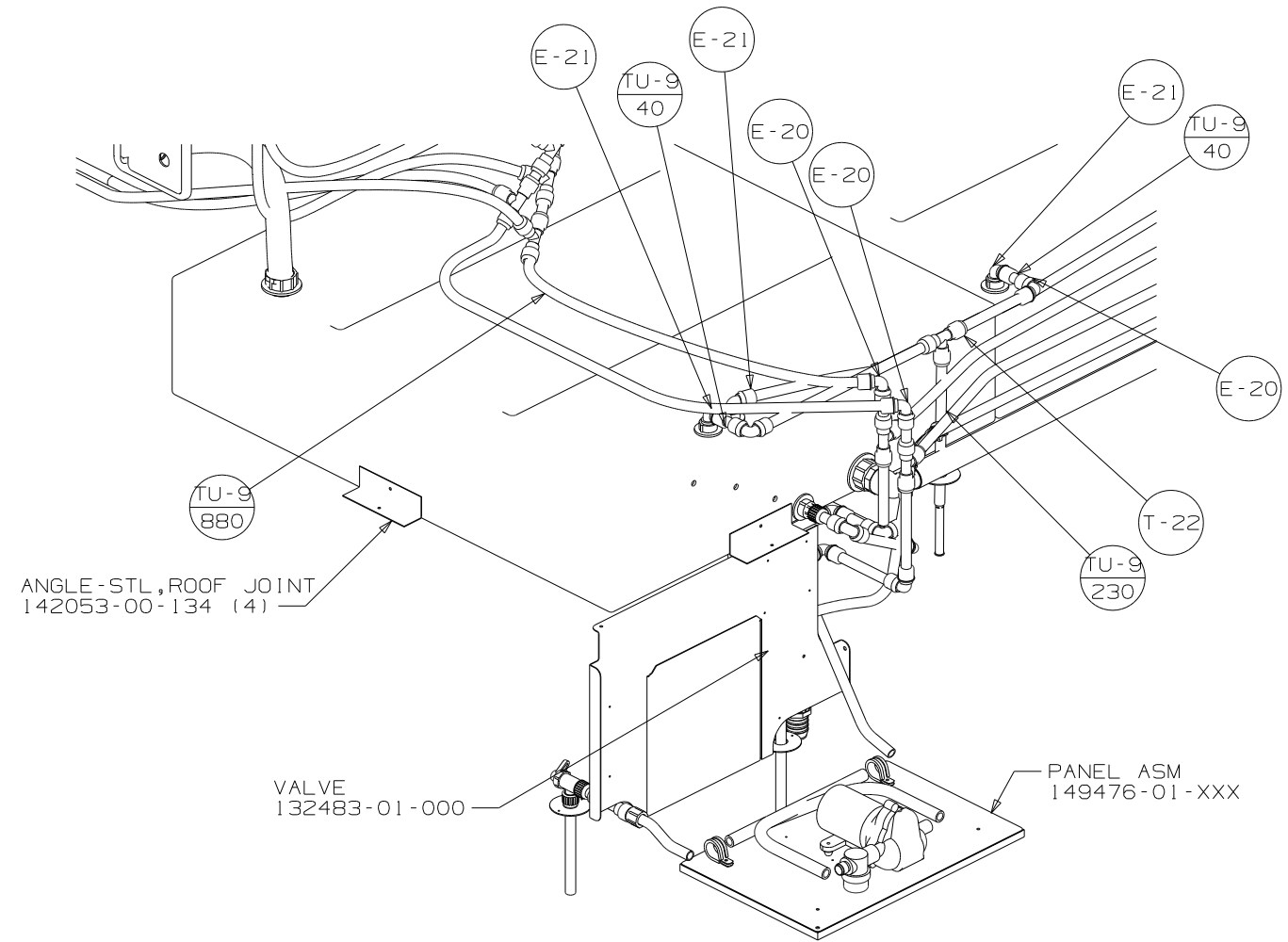
INLET-WATER, FLUSHING SYSTEM
125697-05-000



VIEW F

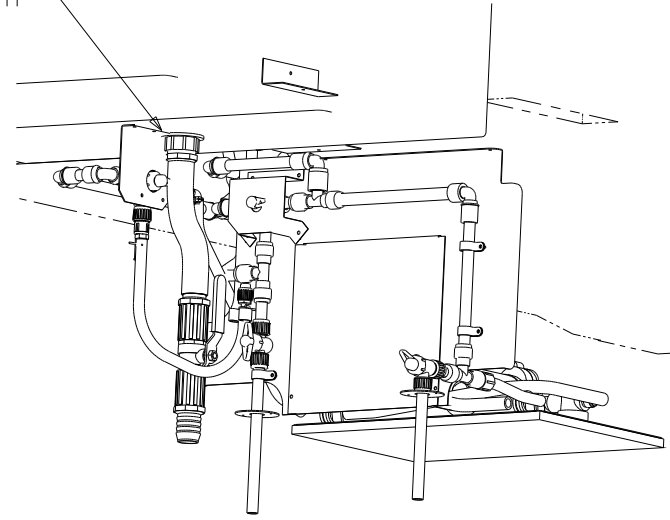
- PANEL - SERVICE CENTER
- 136034-11-CHT (64H)
- 136034-12-CHT (60M)

FIRST USED	06 F35A		
TITLE	DO NOT SCALE DRAWING		
	WATER SYSTEM INSTL		
SHEET 3	PART NO	154666	REV

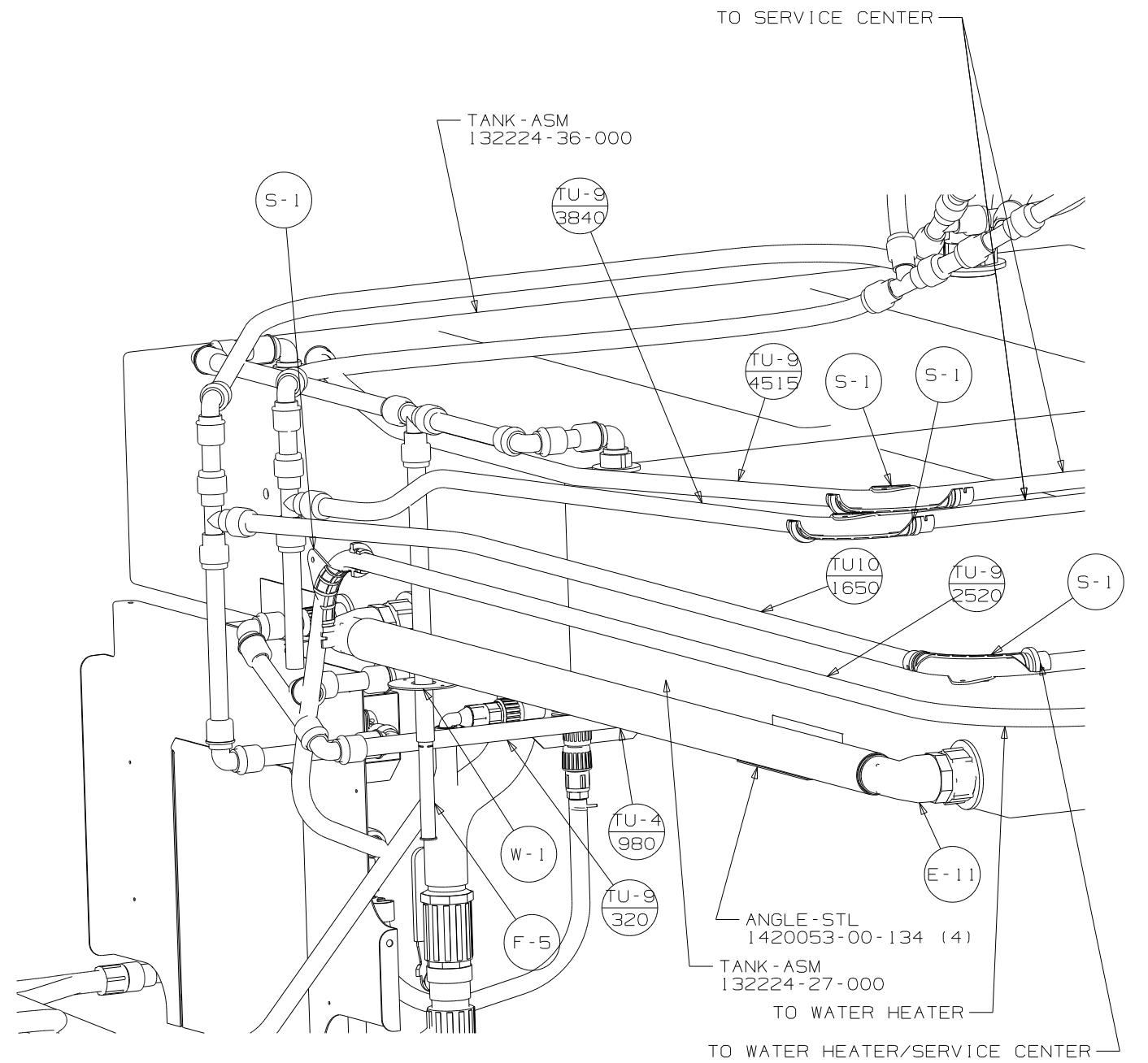


VIEW H
FLOOR REMOVED

BRACKET-VALVE, WINTERIZATION
137410-02-CHT



VIEW J
FLOOR REMOVED



FIRST USED	06 F35A		
TITLE	DO NOT SCALE DRAWING		
TITLE	WATER SYSTEM INSTL		
SHEET 4	PART NO	154666	REV