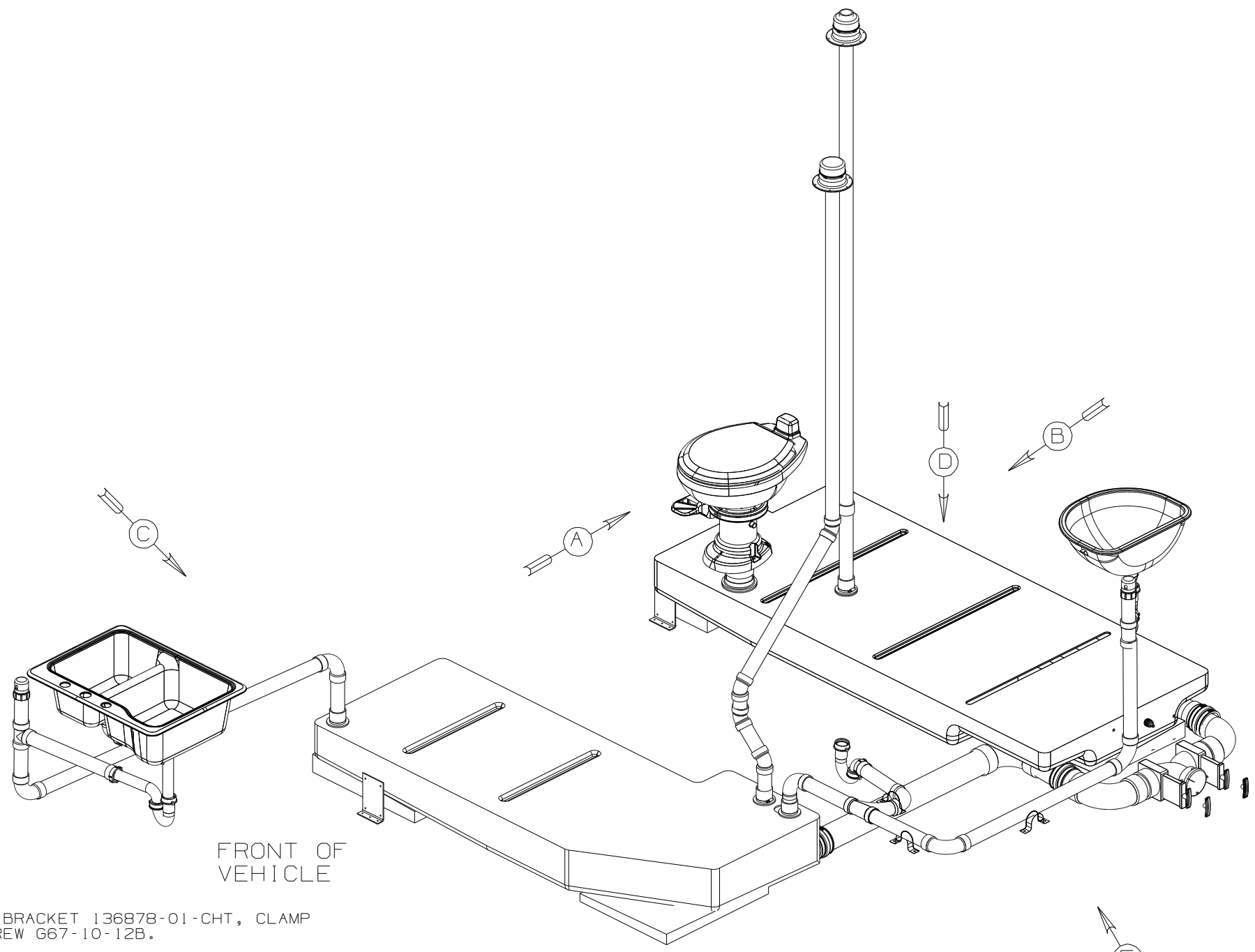


DWG NO	----
152826-01	(WIN)
152826-02	(ITA)

RELEASE	REV DATE	DWG NO
A		152826
REV ZONE	REVISION RECORD	DATE



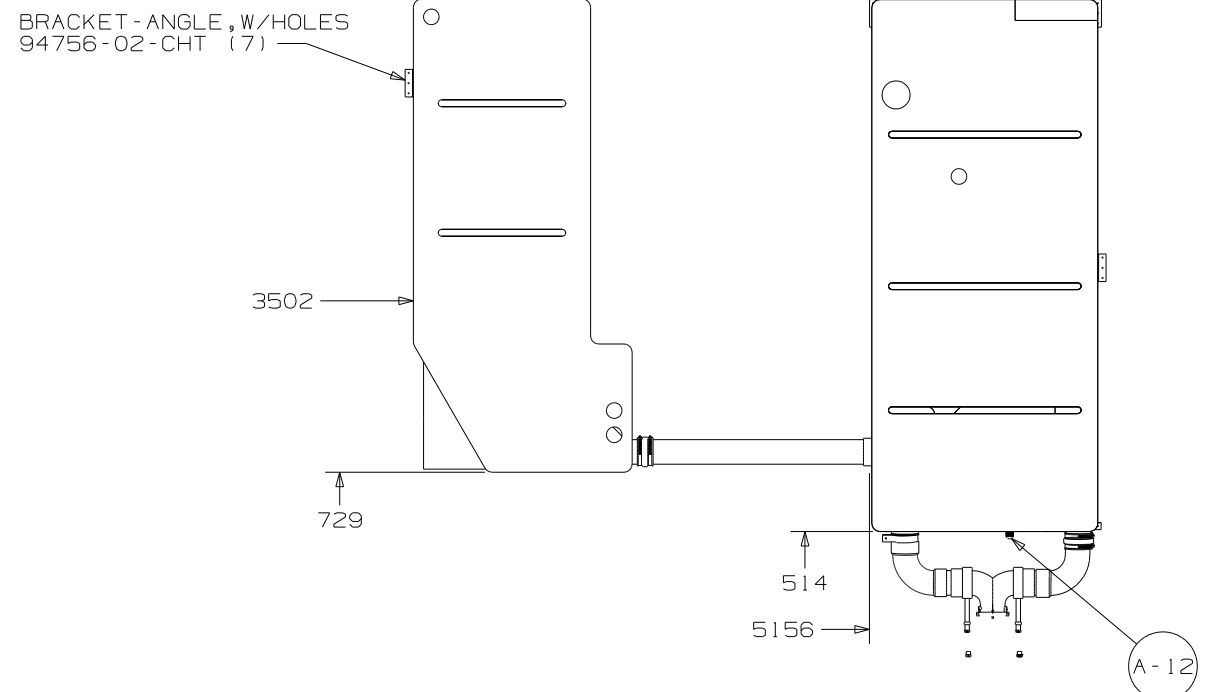
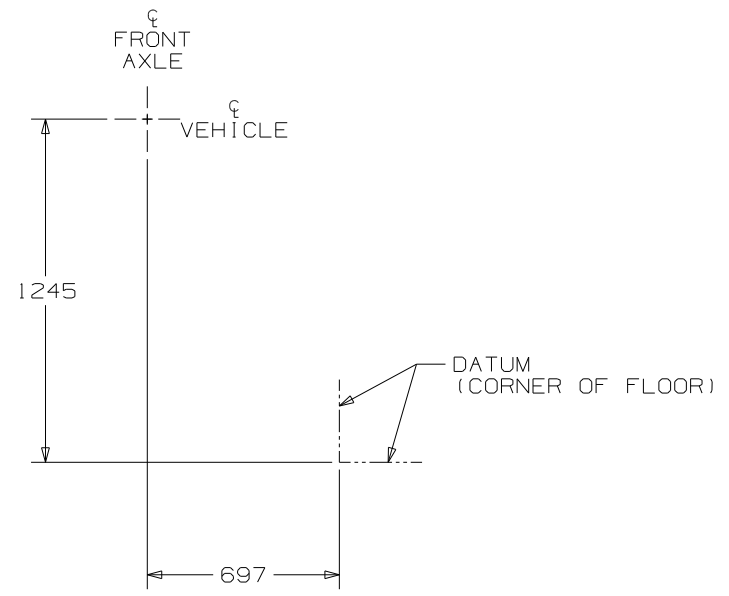
FRONT OF VEHICLE

- (WIN) WINNEBAGO ONLY
- (ITA) ITASCA ONLY
- (265) CODES/STANDARDS-CSA/CMVSS
- (1B1) CODES/STANDARDS-USA

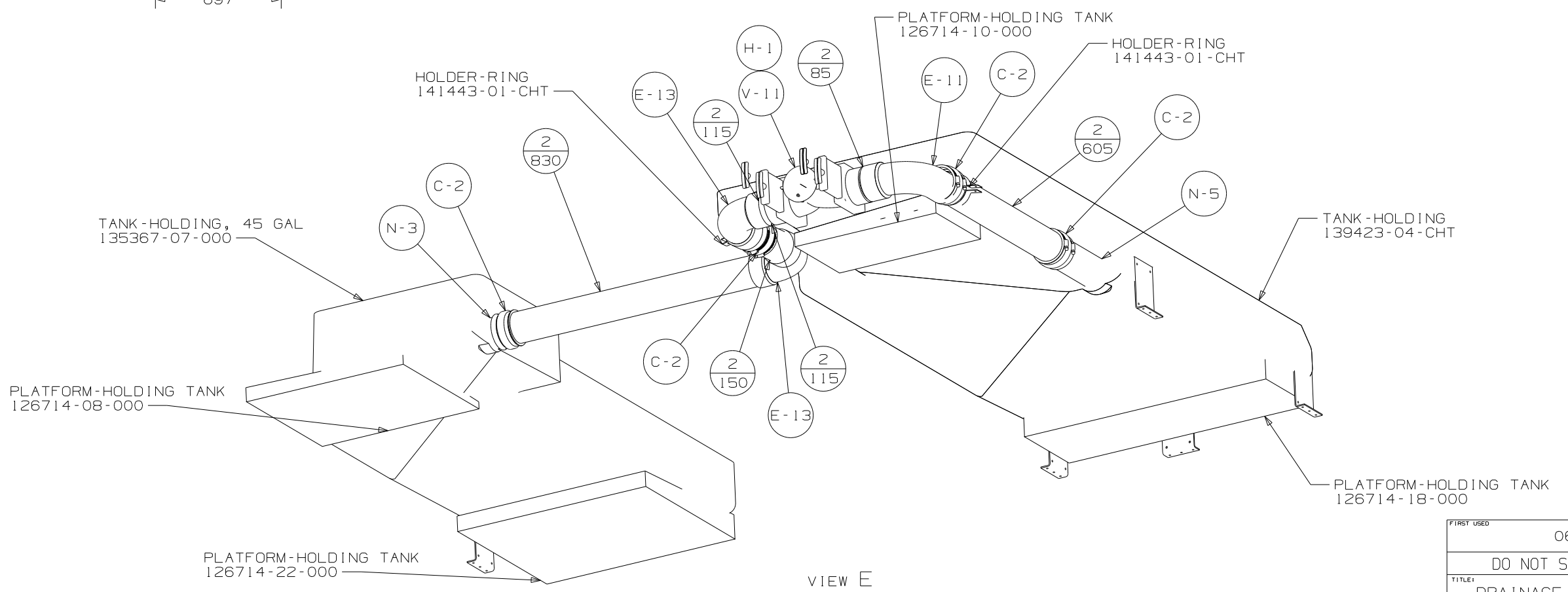
- NOTES:
8. SECURE TO FLOOR WITH BRACKET 136878-01-CHT, CLAMP 62401-02-000, AND SCREW G67-10-12B.
 7. VENT PIPE MUST PROJECT 51 MIN AND 64 MAX ABOVE ROOF FOR PROPER FIT AND FUNCTION.
 6. FOR CANADIAN UNITS EACH HOLDING TANK SHALL HAVE A CSA APPROVAL STAMPED NEAR THE IAMPO APPROVAL.
 5. SEAL AROUND SHOWER WITH SILICONE.
 4. ALL EXTERIOR OPENINGS AROUND POPE TO BE SEALED WITH 100744-01-000.
 3. ALL PIPE AND FITTINGS TO BE ASSEMBLED WITH SOLVENT 4020-01-000 (US), 4020-02-000 (CAN).
 2. SLOPE OF TRAP ARM MUST BE 6 PER 305 mm.
 1. SLOPE OF HORIZONTAL PIPING TO BE 6 PER 305 mm.

(X-X)
FOR DRAINAGE CALLOUTS SEE DWG NO. 116229-01-000

WINNEBAGO		COPYRIGHT 2006 WINNEBAGO INDUSTRIES, INC.	
DFT	ORIG. DATE	ALL DIMENSIONS ARE IN MILLIMETERS	
CHKR		FIRST USED	
P.E.		06 F33V	
M.E.		UNSPECIFIED TOLERANCES ARE:	
DSNR		MATERIAL:	
		WHOLE DIM (X)	: 3
		ONE-PLACE (X.X)	:
		TWO-PLACE (X.XX)	:
		ANGLE	:
		THIRD ANGLE PROJECTION	
DO NOT SCALE DRAWING			
TITLE: DRAINAGE SYSTEM INSTL			
SHEET 1 OF 3	PART NO	152826	REV

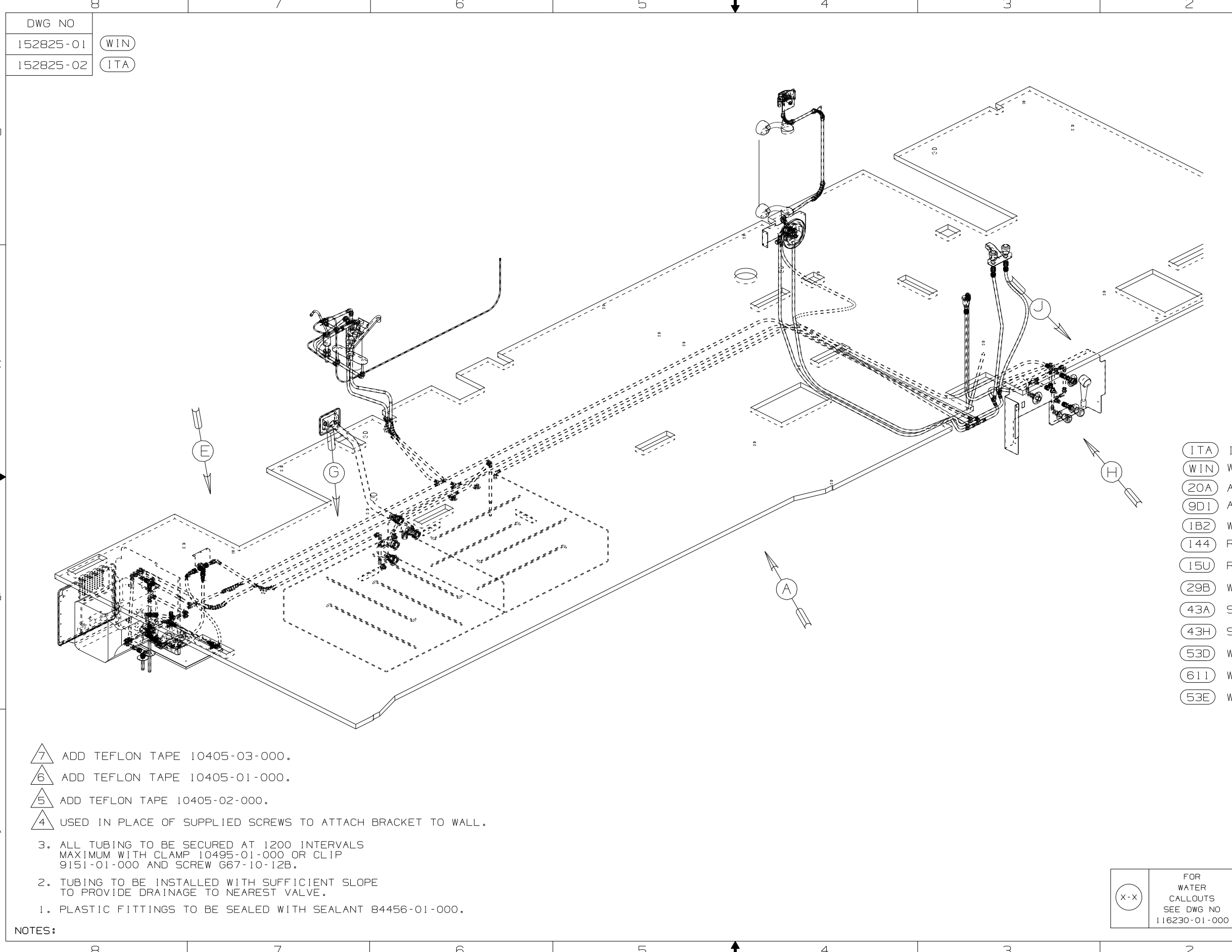


VIEW D



VIEW E

FIRST USED	06 F33V		
TITLE	DO NOT SCALE DRAWING		
	DRAINAGE SYSTEM INSTL		
SHEET 3	PART NO	152826	REV



8 7 6 5 4 3 2 1

DWG NO 152825-01 (WIN) 152825-02 (ITA)

RELEASE	REV DATE	DWG NO
A		152825
REV ZONE	REVISION RECORD	DATE DFR-ORIG

- (ITA) ITASCA ONLY
- (WIN) WINNEBAGO ONLY
- (20A) APPLIANCE PKG-STAINLES S W/O
- (9D1) APPLIANCE PKG-STAINLES STEEL
- (1B2) WTR HTR-10GAL/ELEC/LP/MTR AID
- (144) REFRIGERATOR-DOUBLE DOOR
- (15U) REFRIGERATOR/FRZR W/ICEMAKER
- (29B) WATER PURIFIER
- (43A) SHOWER HEAD-FIXED
- (43H) SHOWER HEAD-HAND HELD
- (53D) WTR-HTR-6/ELE/LP/MA
- (611) WTR-HTR-AUX AUTO MA
- (53E) WATER SYS WINTERIZATION PKG

- 7 ADD TEFLON TAPE 10405-03-000.
 - 6 ADD TEFLON TAPE 10405-01-000.
 - 5 ADD TEFLON TAPE 10405-02-000.
 - 4 USED IN PLACE OF SUPPLIED SCREWS TO ATTACH BRACKET TO WALL.
3. ALL TUBING TO BE SECURED AT 1200 INTERVALS MAXIMUM WITH CLAMP 10495-01-000 OR CLIP 9151-01-000 AND SCREW G67-10-12B.
2. TUBING TO BE INSTALLED WITH SUFFICIENT SLOPE TO PROVIDE DRAINAGE TO NEAREST VALVE.
1. PLASTIC FITTINGS TO BE SEALED WITH SEALANT 84456-01-000.

NOTES: 8 7 6 5 4 3 2 1

WINNEBAGO		COPYRIGHT 2005 WINNEBAGO INDUSTRIES, INC.	
DFTR	ORIG. DATE	ALL DIMENSIONS ARE IN MILLIMETERS	
CHKR		MATERIAL:	
P.E.		06 F33V	
M.E.	FIRST USED	UNSPECIFIED TOLERANCES ARE:	
DSNR		HOLE DIM (X) : 7	
		ONE-PLACE (X.X) :	
		TWO-PLACE (X.XX) :	
		ANGLE :	
THIRD ANGLE PROJECTION		DO NOT SCALE DRAWING	
		TITLE: WATER SYSTEM INSTL	
		SHEET 1 OF 4 PART NO 152825	
		REF: 1 9/30/2005	

(X-X) FOR WATER CALLOUTS SEE DWG NO 116230-01-000

FAUCET-GALLEY, SGL CNTRL
149164-01-CHT
123744-03-CHT
SPACER-FAUCET
137079-02-CHT

FAUCET
103635-01-000

BRACKET ASM-SHOWER HEAD
133727-01-CHT

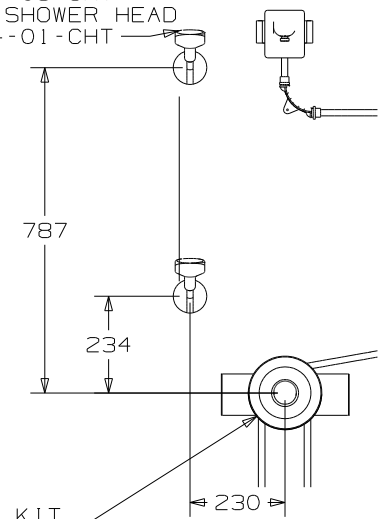
PLATE-COVER, SHOWER HEAD
131549-01-CHT

N-1
HAND HELD SHOWER
129390-03-CHT
SCREW
G12-10-16F (4)
ELBOW
135028-02-CHT
SPACER
130041-03-CHT
VALVE-SHOWER HEAD
128974-01-CHT

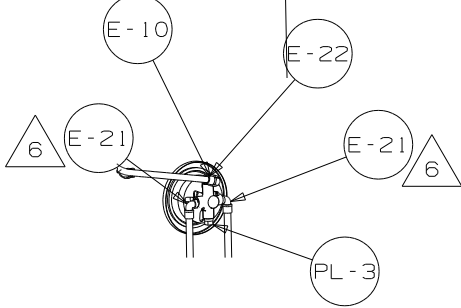
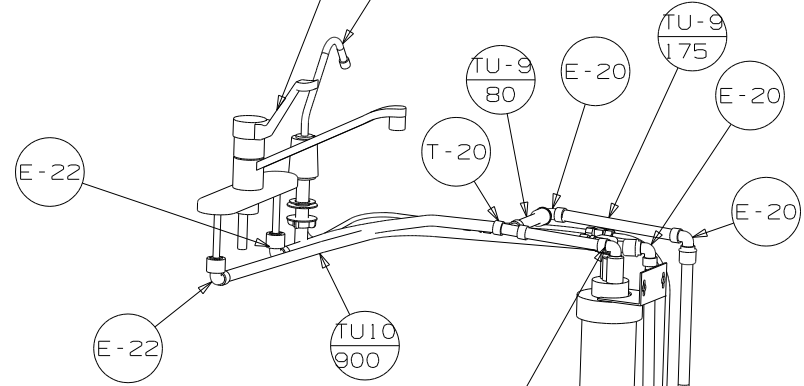
VALVE-SHOWER HEAD
128974-01-CHT

TU10
1120

BRACKET-SHOWER CONTROL
133721-01-CHT



VIEW C
43H



VIEW B

FAUCET-VALVE
144596-01-CHT

FAUCET-TRIM KIT
144596-03-CHT

29B) FILTER
87200-01-000
CARTRIDGE
87200-02-000
SCREW
G67-10-12U (2)

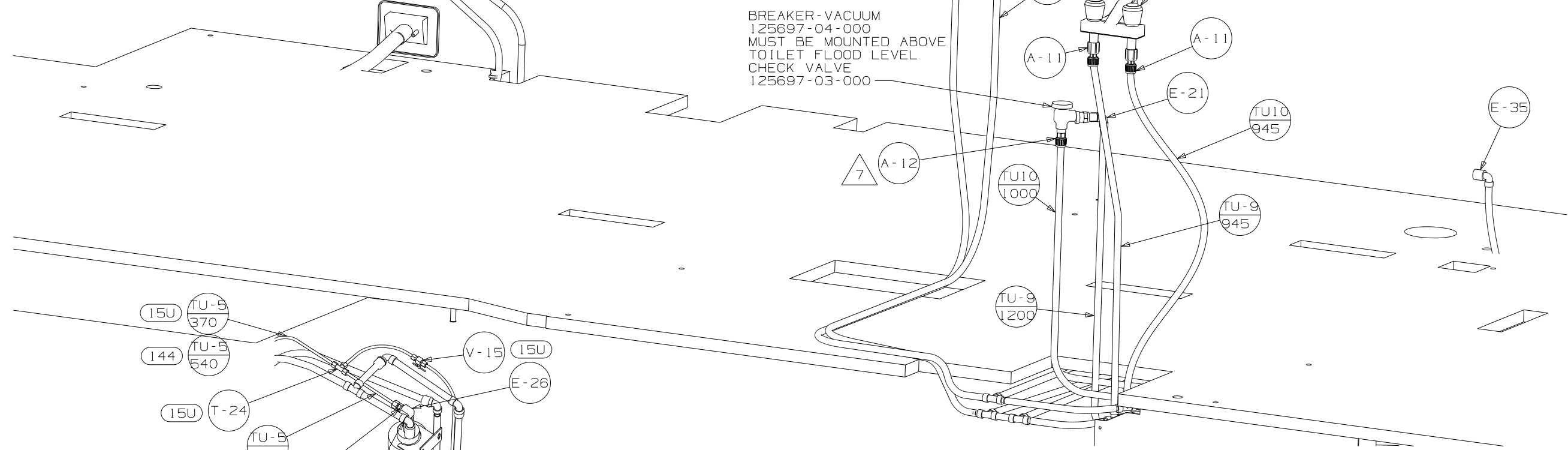
15U

TU-5
2275

15U 1-2 1-1
2 2

BREAKER-VACUUM
125697-04-000
MUST BE MOUNTED ABOVE
TOILET FLOOD LEVEL
CHECK VALVE
125697-03-000

FAUCET-LAV
148886-01-CHT



VIEW A

15U TU-5
370

144 TU-5
540

15U T-24

TU-5
165

V-15 15U

E-26

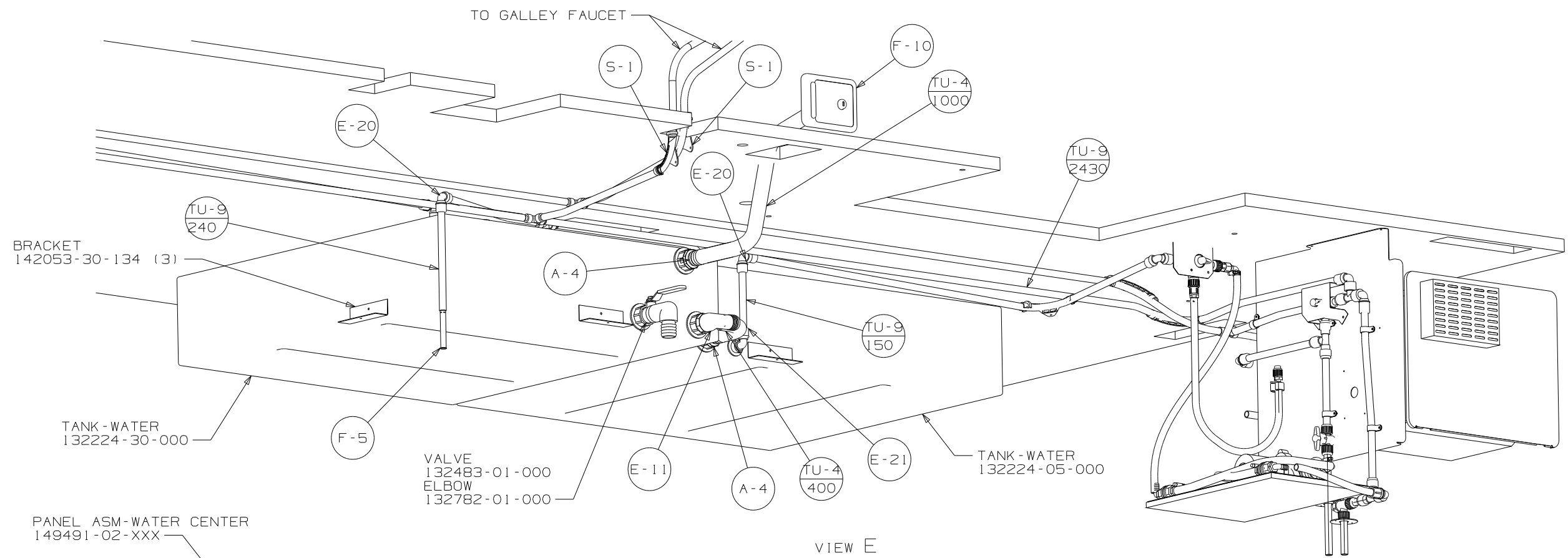
C-6

E-23

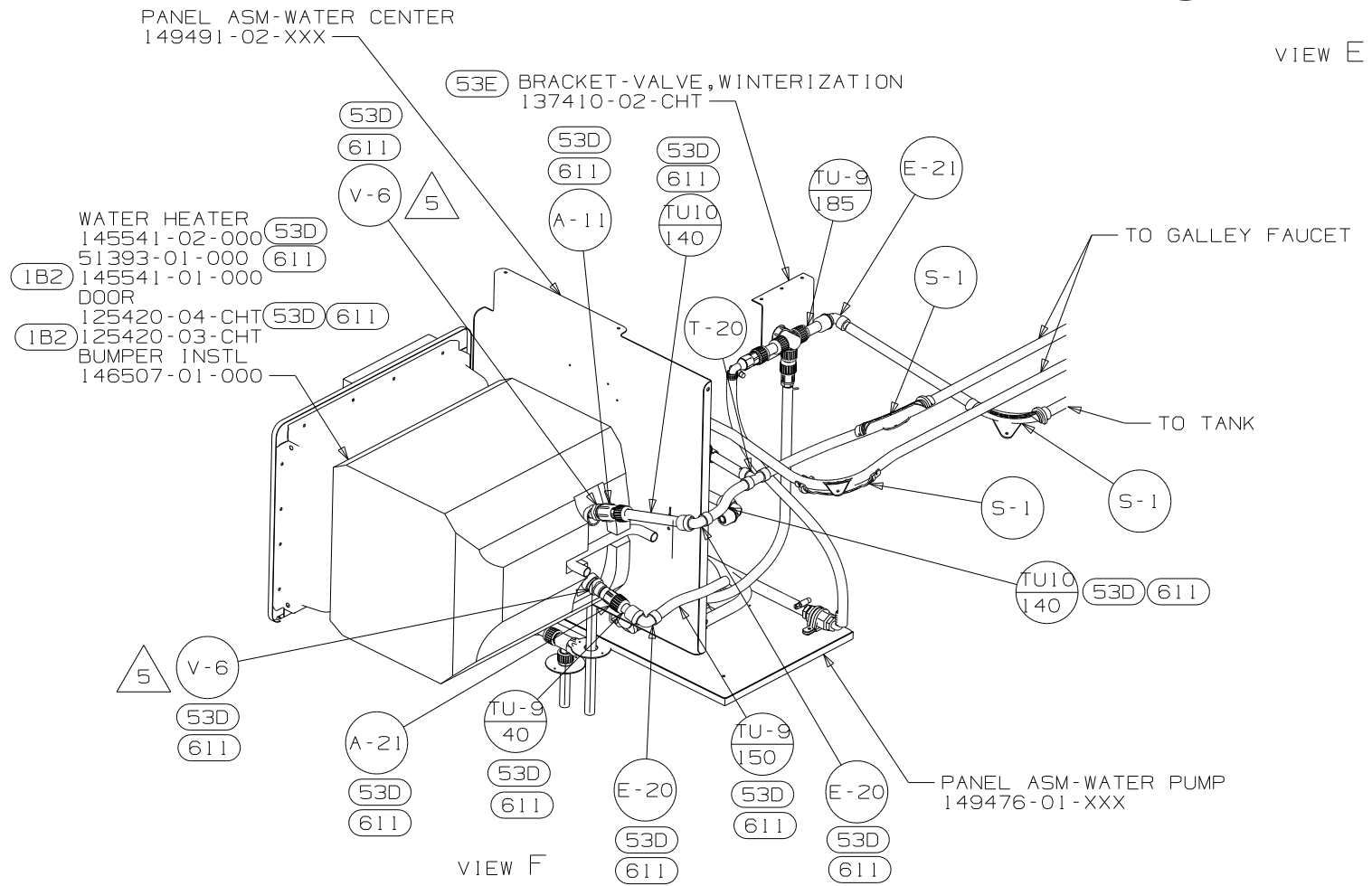
VIEW D

TO ICEMAKER

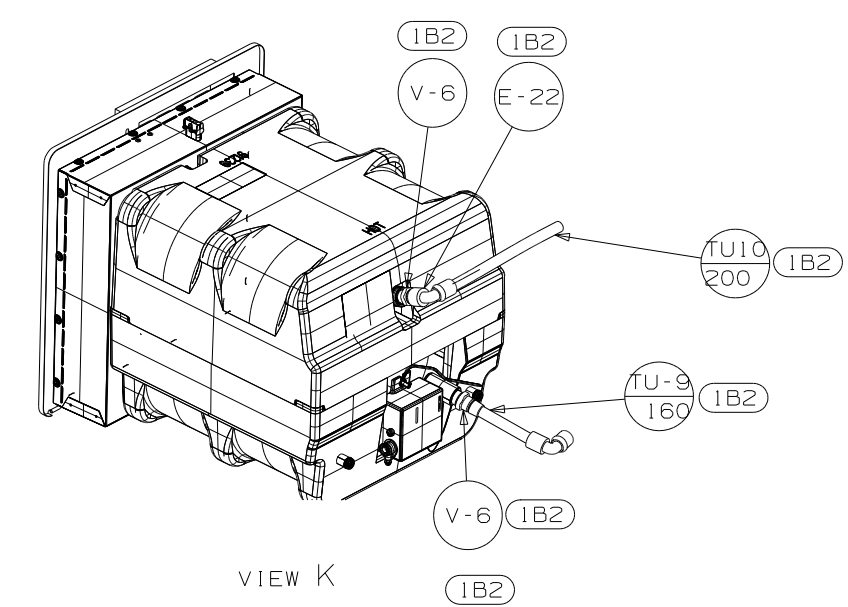
FIRST USED	06 F33V
TITLE	DO NOT SCALE DRAWING
TITLE	WATER SYSTEM INSTL
SHEET 2	PART NO 152825



VIEW E

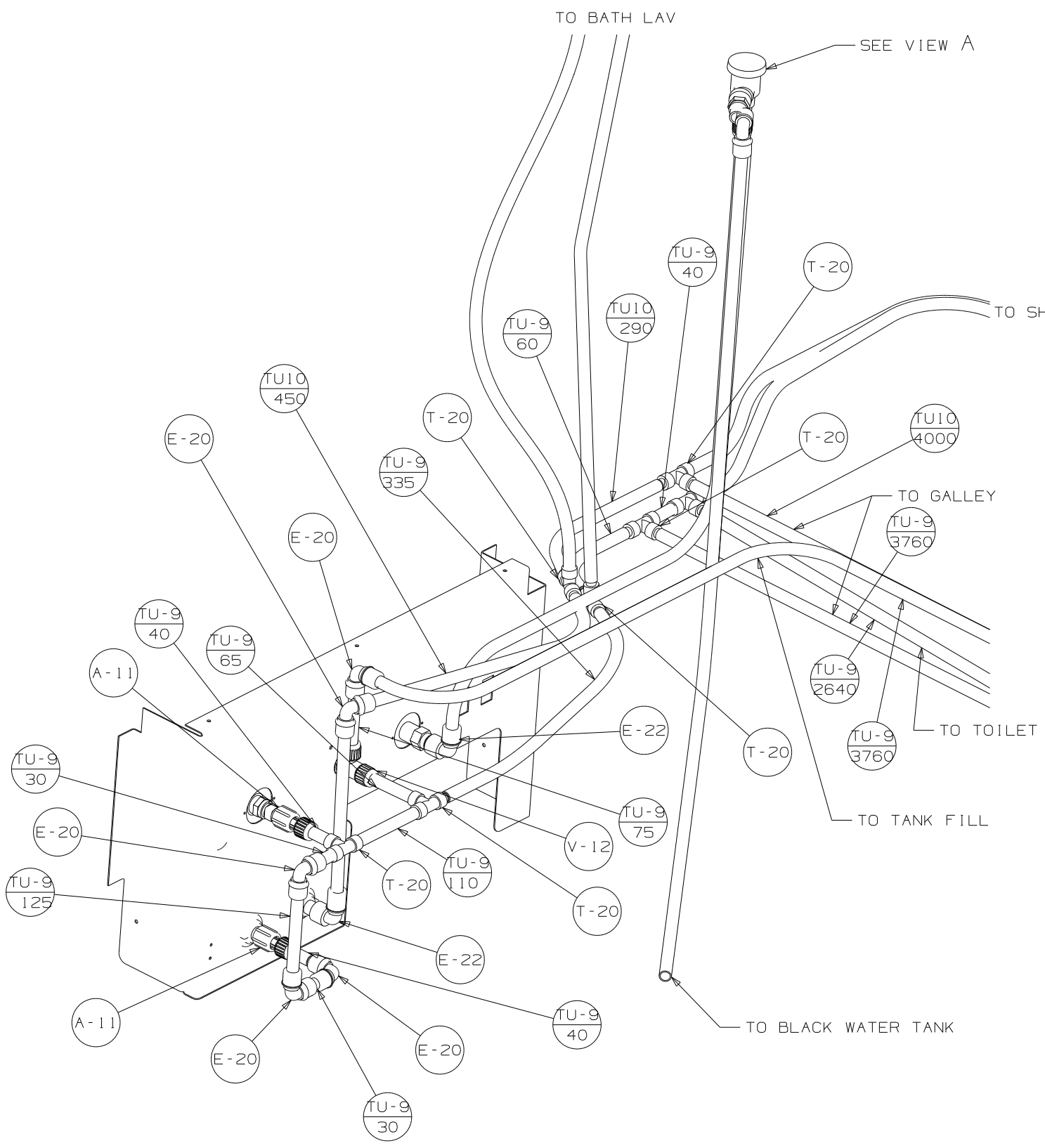


VIEW F

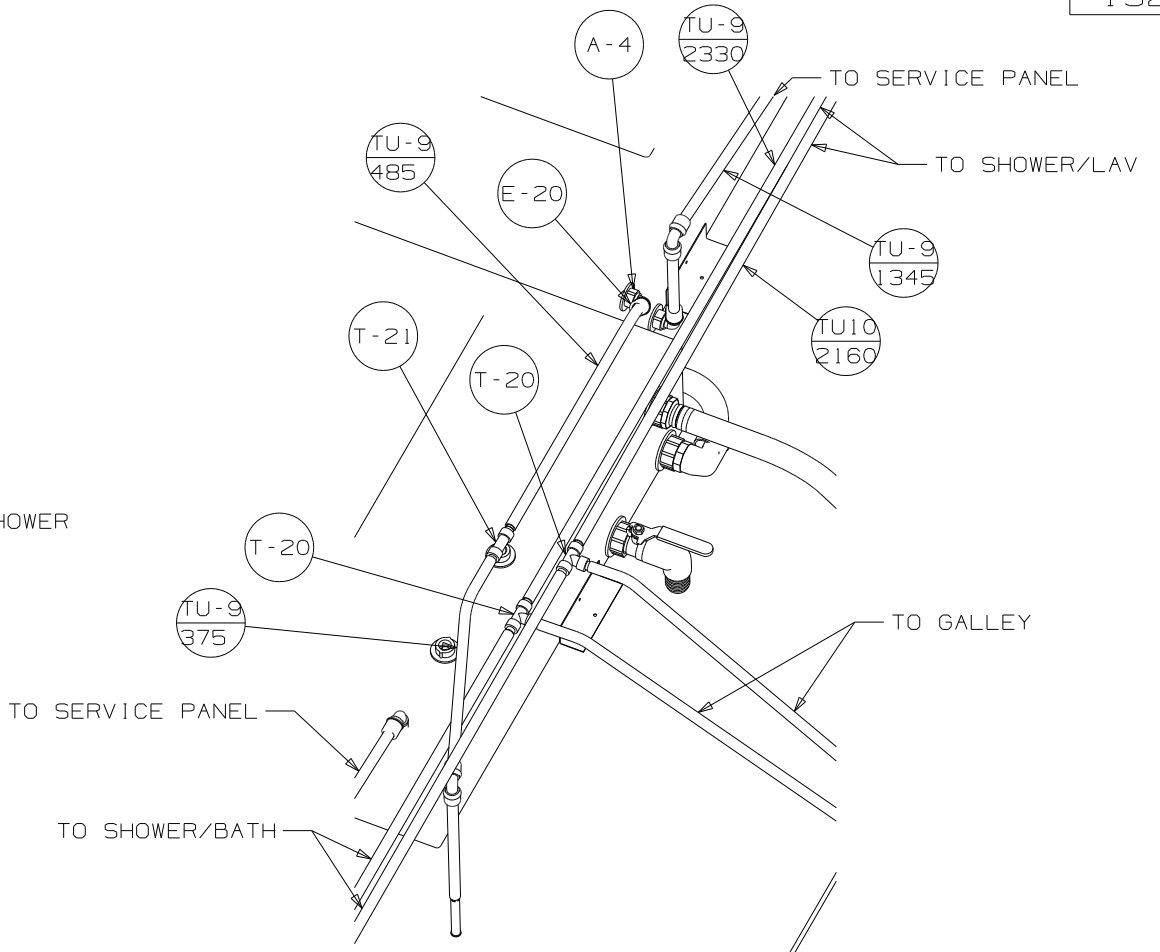


VIEW K

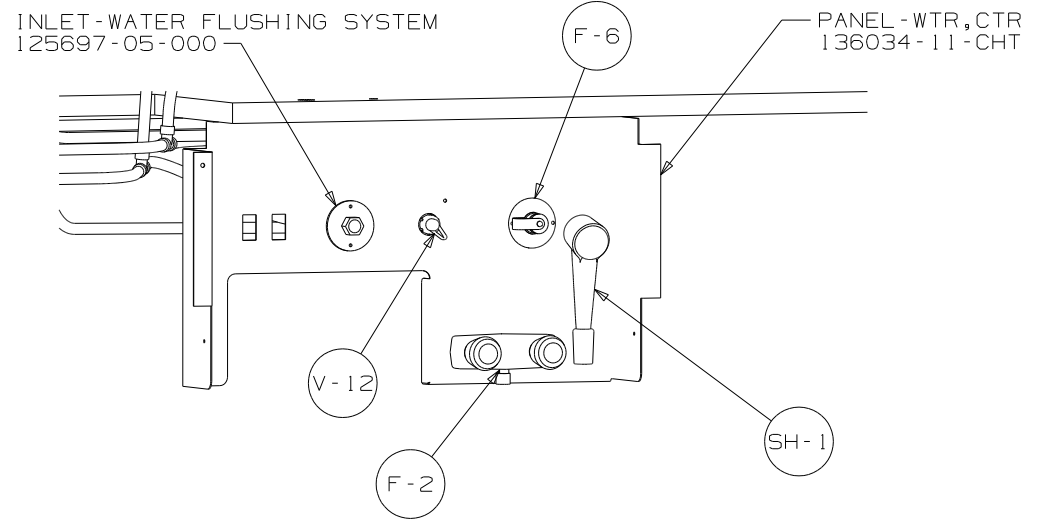
FIRST USED	06 F33V
DO NOT SCALE DRAWING	
TITLE:	WATER SYSTEM INSTL
SHEET 3	PART NO 152825



VIEW J



VIEW G



VIEW H

FIRST USED	06 F33V
TITLE	DO NOT SCALE DRAWING
	WATER SYSTEM INSTL
SHEET 4	PART NO 152825