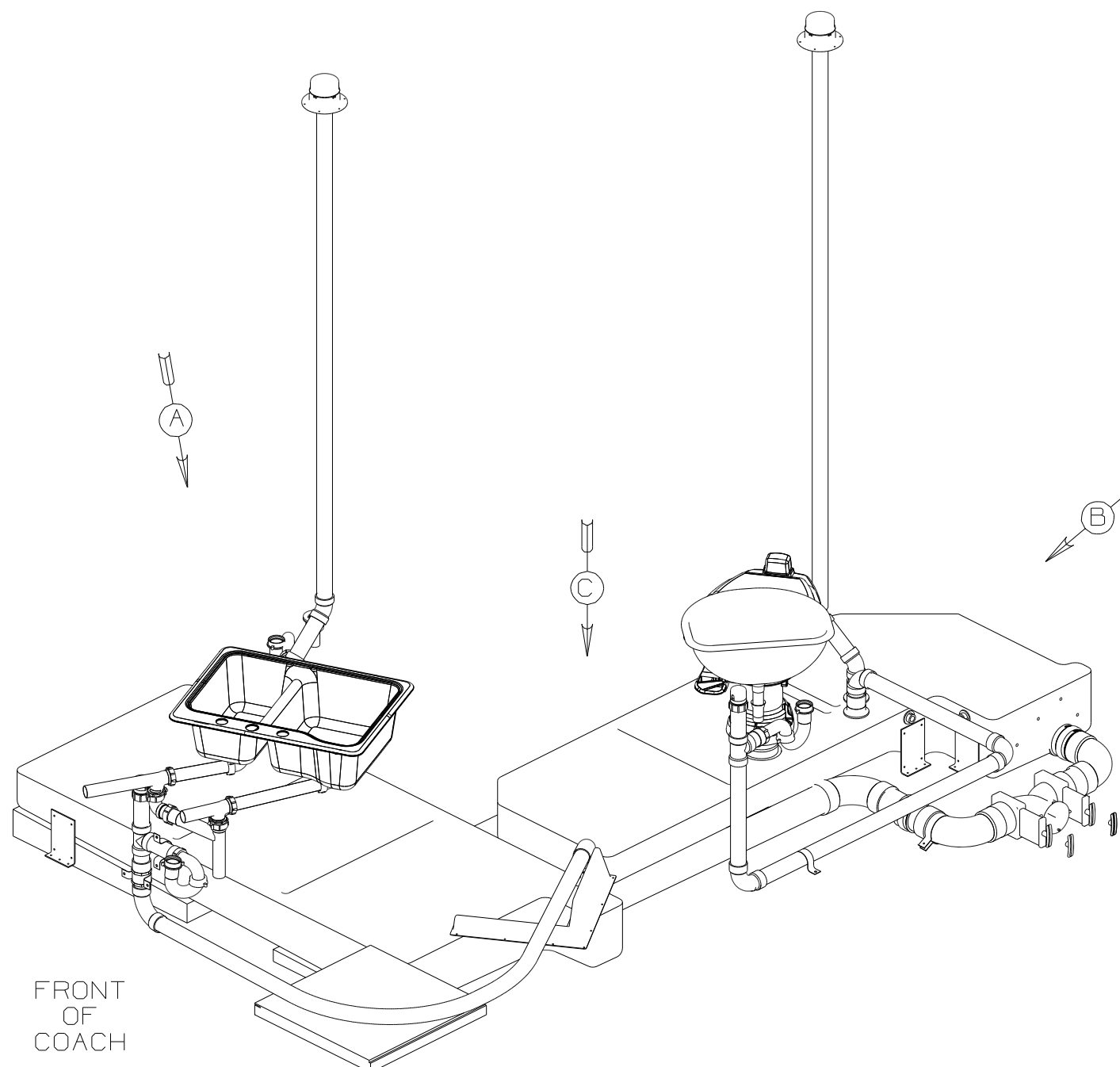


DWG NO	--
155828-01	(WIN)
155828-02	(ITA)

RELEASE	REV DATE	DWG NO
A		155828
REV ZONE	REVISION RECORD	DATE



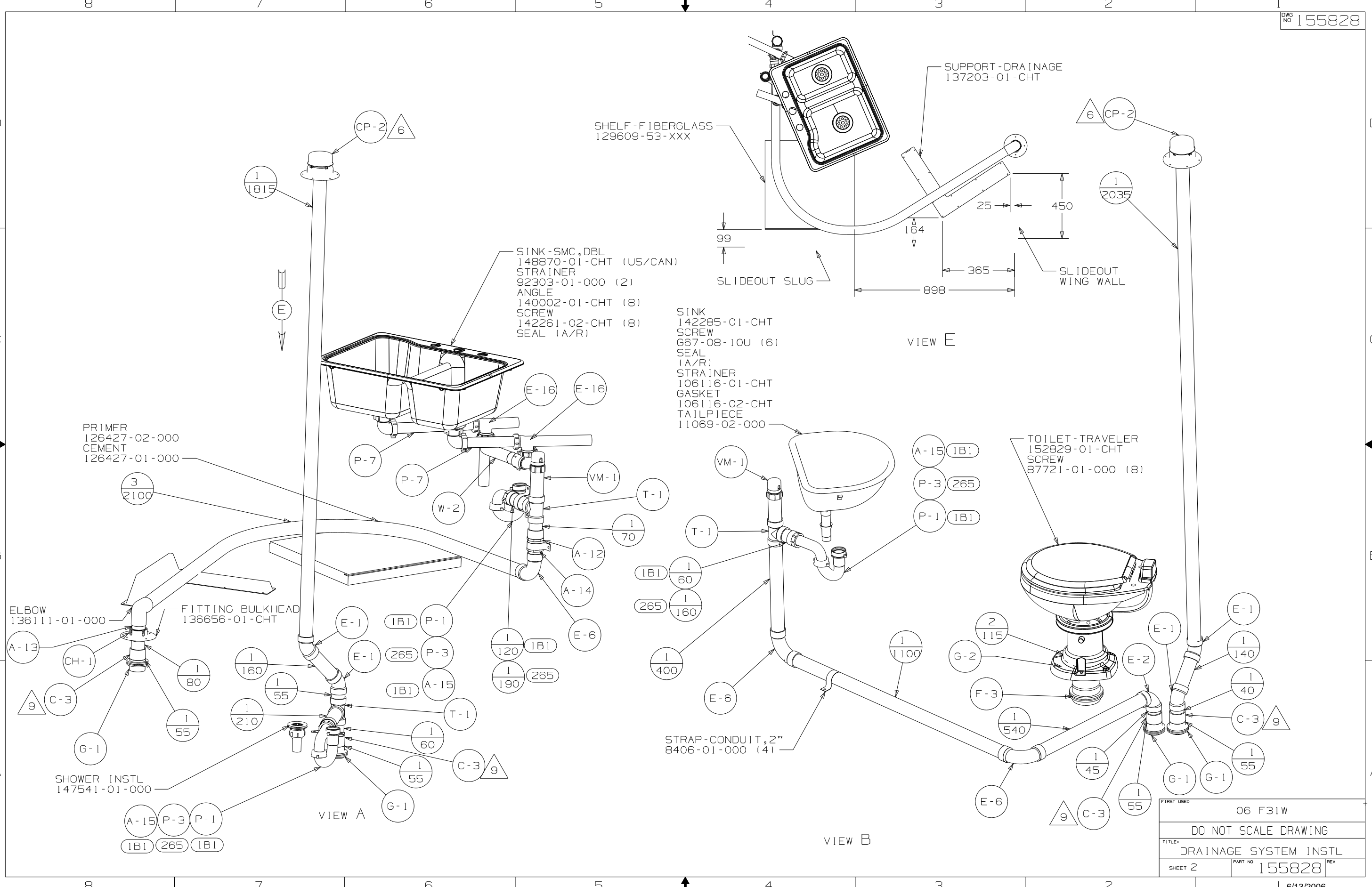
FRONT OF COACH

- (WIN) WINNEBAGO ONLY
- (ITA) ITASCA ONLY
- (IBI) CODES/STANDARDS USA
- (265) CODES/STDS-CSA/CMVSS

- NOTES:
9. SECURE PIPES TO FLOOR USING BRACKET 136878-01-CHT (3) CLAMP 62401-02-000 (3) AND SCREW G67-10-12B (3).
 8. SECURE PIPES TO CABINET USING WIRE TIE 108046-02-000 AND SCREW G67-10-12U (8).
 7. SEE DWG 61607-01-000 FOR INSTL OF GROMMET.
 6. VENT PIPE MUST PROJECT 51 MIN AND 64 MAX ABOVE ROOF FOR PROPER FIT AND FUNCTION.
 5. SEAL AROUND SHOWER WITH SILICONE.
 4. ALL EXTERIOR OPENINGS AROUND PIPE TO BE SEALED WITH 110744-01-000.
 3. ALL PIPE AND FITTINGS TO BE ASSEMBLED WITH SOLVENT 4020-01-000.
 2. SLOPE OF TRAP ARM MUST BE 6 PER 305 mm.
 1. SLOPE OF HORIZONTAL PIPING TO BE MIN 3 PER 305 mm.

(X-X)
FOR DRAINAGE CALLOUTS SEE DWG NO 116229-01-000

WINNEBAGO		COPYRIGHT 2006 WINNEBAGO INDUSTRIES, INC.	
DFT	ORIG. DATE	ALL DIMENSIONS ARE IN MILLIMETERS	
CHKR		FIRST USED	
P.E.		06 F31W	
M.E.		UNSPECIFIED TOLERANCES ARE:	
DSNR		MATERIAL:	
		WHOLE DIM (X)	: 5
		ONE-PLACE (X.X)	:
		TWO-PLACE (X.XX)	:
		ANGLE	:
		THIRD ANGLE PROJECTION	
DO NOT SCALE DRAWING			
TITLE: DRAINAGE SYSTEM INSTL			
SHEET 1 OF 3	PART NO	155828	REV
REF:	1 6/13/2006		

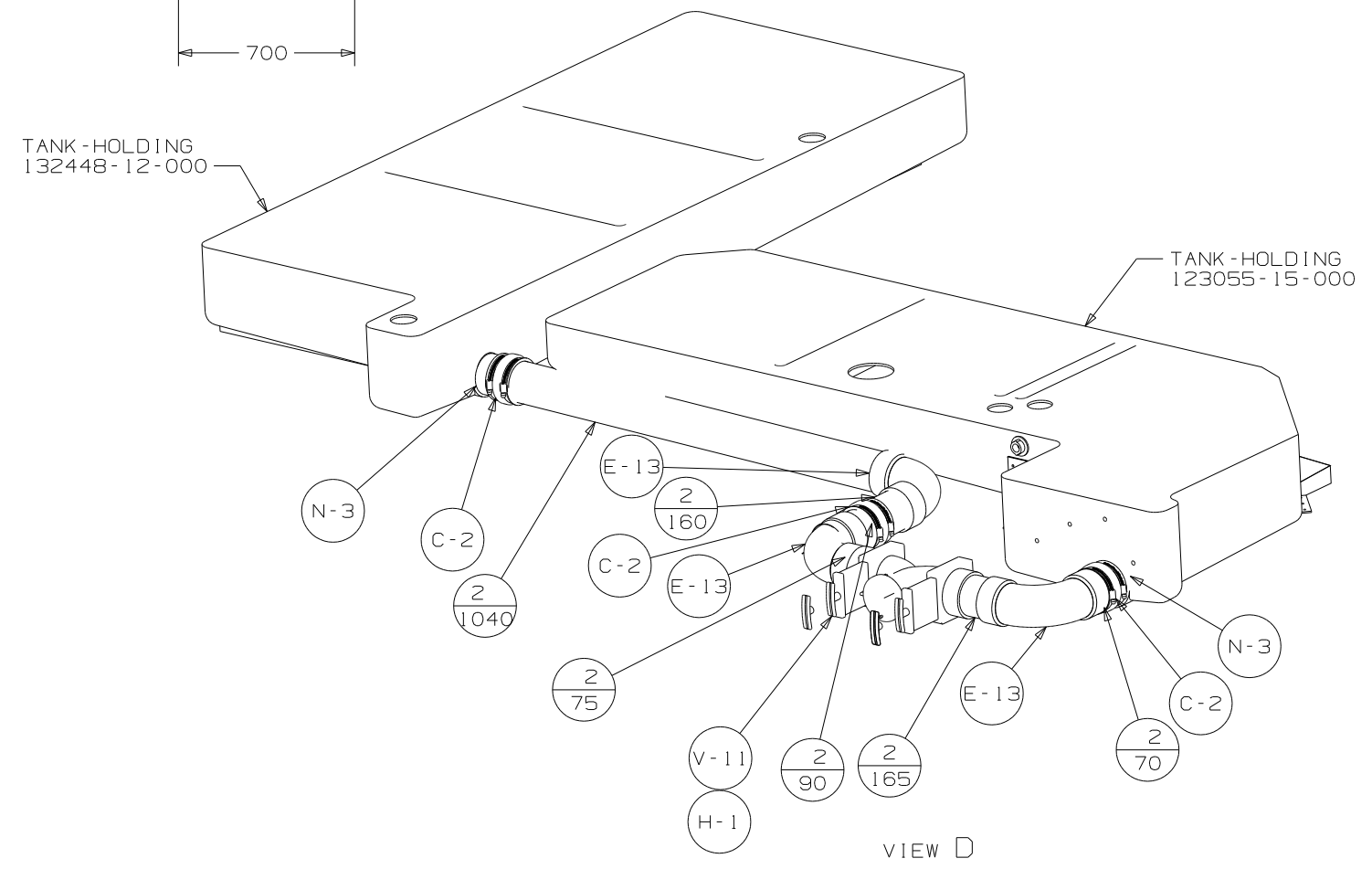
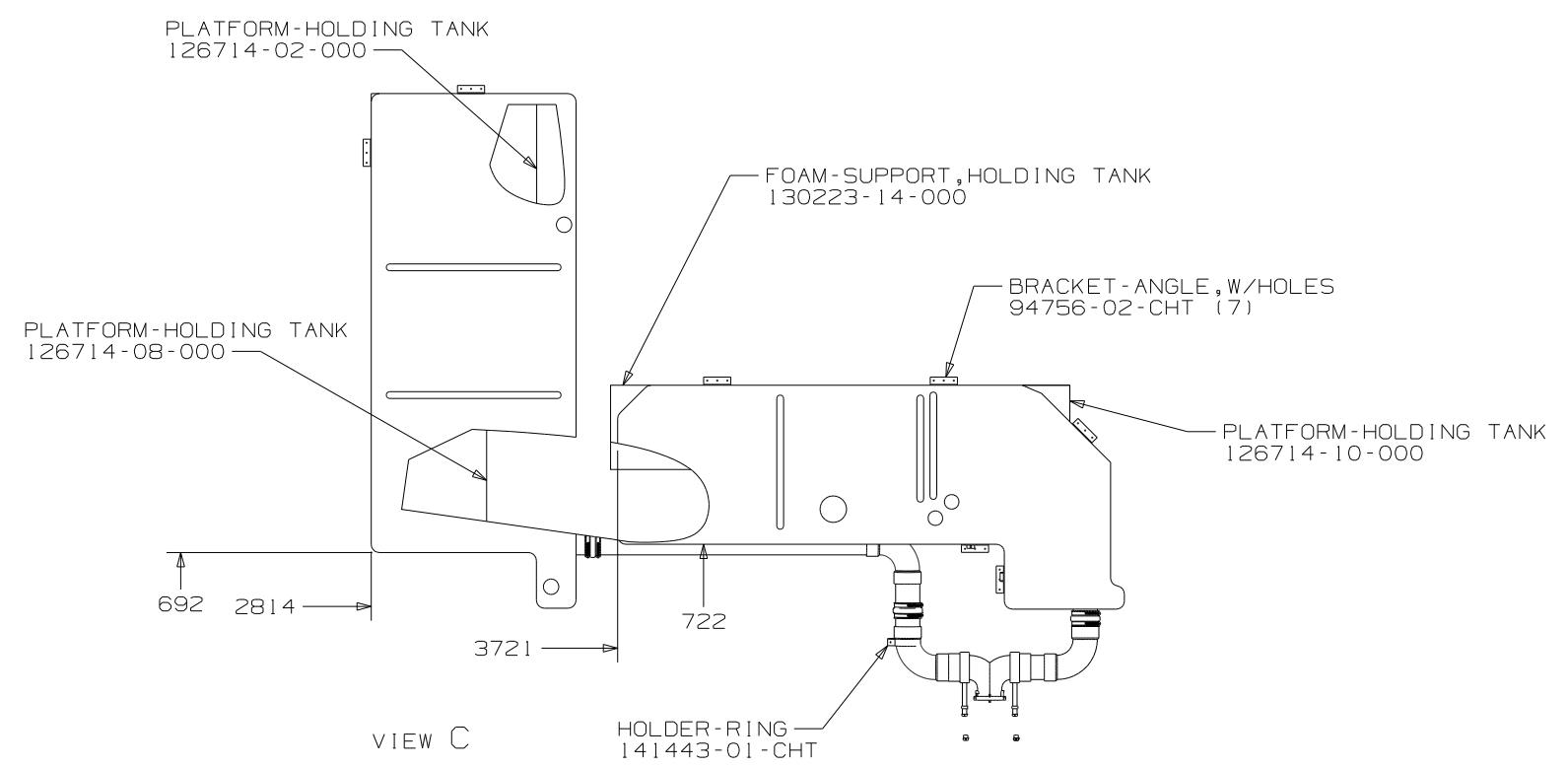
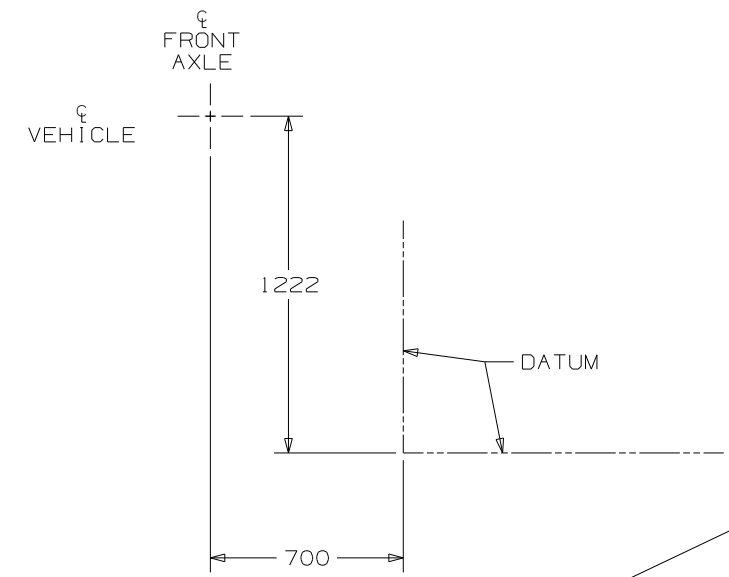


VIEW E

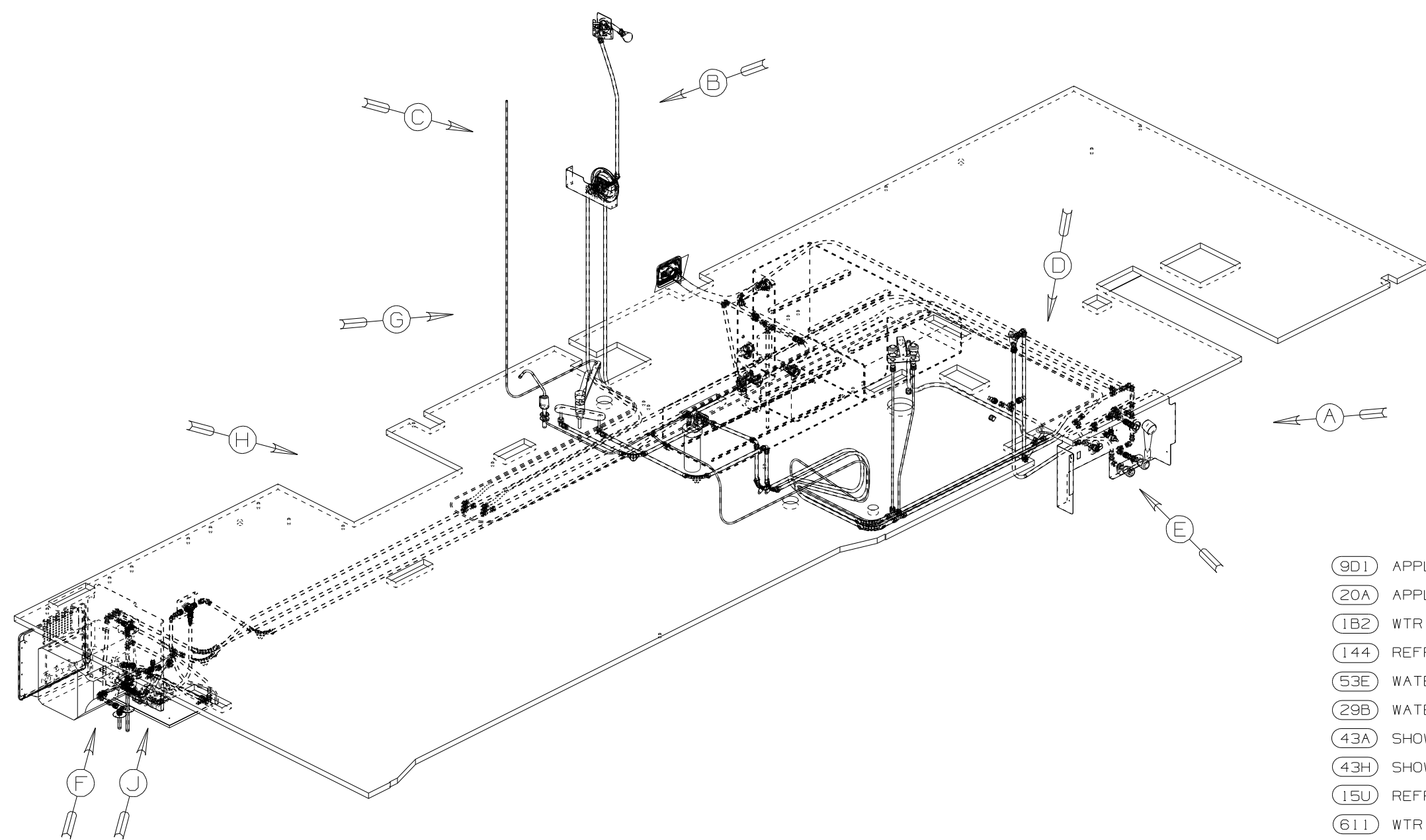
VIEW A

VIEW B

FIRST USED	06 F31W	
TITLE	DO NOT SCALE DRAWING	
	DRAINAGE SYSTEM INSTL	
SHEET 2	PART NO	155828
	REV	



FIRST USED	06 F31W	
TITLE	DO NOT SCALE DRAWING	
	DRAINAGE SYSTEM INSTL	
SHEET 3	PART NO 155828	REV



- (9D1) APPLIANCE PKG-STAINLESS STEEL
- (20A) APPLIANCE PKG-STAINLESS W/O
- (1B2) WTR HTR-10GAL/ELEC/LP/MTR AID
- (144) REFRIGERATOR-DBL DOOR
- (53E) WATER SYS WINTERIZATION PKG
- (29B) WATER PURIFIER
- (43A) SHOWER HEAD-FIXED
- (43H) SHOWER HEAD-HAND HELD
- (15U) REFRIGERATOR/FRZR/ W/ICE MAKER
- (611) WTR HTR-AUX AUTO/MOTORAID
- (53D) WTR HTR-6GAL/ELEC. IGNITION

- 8 LABEL HOT AND COLD SUPPLY TUBES.
 - 7 TAPE FITTING TO TUBE BEFORE CABINET SET TO PREVENT FITTING FROM MOVING.
 - 6 ADD TEFLON TAPE 10405-01-000.
 - 5 ADD TEFLON TAPE 10405-02-000.
 - 4 USED IN PLACE OF SUPPLIED SCREWS TO ATTACH BRACKET TO WALL.
3. ALL TUBING TO BE SECURED AT 1200 INTERVALS MAXIMUM WITH CLAMP 10495-01-000 OR CLIP 9151-01-000 AND SCREW G67-10-12B.
2. TUBING TO BE INSTALLED WITH SUFFICIENT SLOPE TO PROVIDE DRAINAGE TO NEAREST VALVE.
1. PLASTIC FITTINGS TO BE SEALED WITH SEALANT 84456-01-000.

NOTES:

WINNEBAGO		COPYRIGHT 2005 WINNEBAGO INDUSTRIES, INC.	
DFTR	ORIG. DATE	ALL DIMENSIONS ARE IN MILLIMETERS	
CHKR		FIRST USED	
P.E.		06 F31W	
M.E.		UNSPECIFIED TOLERANCES ARE:	
DSNR		MATERIAL:	
		WHOLE DIM (X) :	7
		ONE-PLACE (X.X) :	
		TWO-PLACE (X.XX) :	
		ANGLE :	
THIRD ANGLE PROJECTION		DO NOT SCALE DRAWING	
TITLE: WATER SYSTEM INSTL			
SHEET 1 OF 4		PART NO 155827	
REF:		1 9/14/2005	

(X-X)
FOR
WATER
CALLOUTS
SEE DWG NO
116230-01-000

FAUCET
103635-01-000

(43A) BRACKET ASM-SHOWER HEAD
133727-01-CHT
VALVE-SHOWER HEAD
128974-01-CHT

(N-1) DROP ELL-SHOWER
135028-02-CHT
BRACKET
131551-01-CHT
SPACER
130041-03-CHT

HAND HELD-SHOWER
129390-03-CHT
SCREW
G12-10-16F (4)

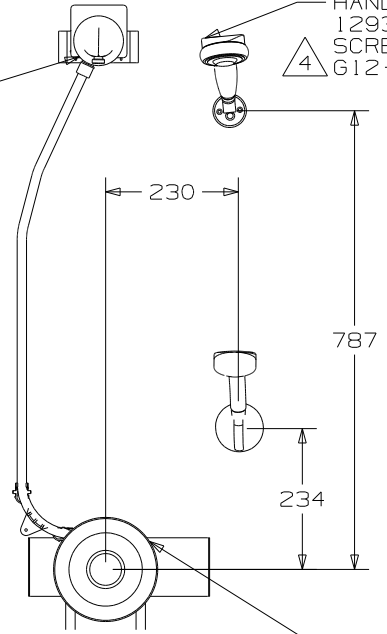
(20A) WIN 149164-01-CHT
(9D1) ITA 123744-03-CHT
SPACER-FAUCET
137079-02-CHT

(144) TU-5
965
(15U) TU-5
720

(15U) 1-1 1-2
2 2

(15U) TU-5
11625

PLATE COVER
131549-02-CHT



FAUCET
144596-02-CHT

(15U) TU-5
215

FAUCET-VALVE
144596-01-CHT

BRACKET-SHOWER CONTROL
133721-01-CHT

(29B) FILTER
87200-01-000
CARTRIDGE
87200-02-000
SCREW
G67-10-12U (2)

FAUCET-TRIM (43A)
144596-03-CHT

FAUCET
148886-01-CHT

(15U) TU-5
80

S-1

(15U) V-15

TU10
1100

S-1

TU-9
930

TU-9
260

E-20

S-1

S-1

TU10
2955

7 8 R-4

S-1

S-1

T-22

T-22

TU-9
2955

E-21

R-4

TU-9
1140

A-12

TU10
990

T-22

TU-9
825

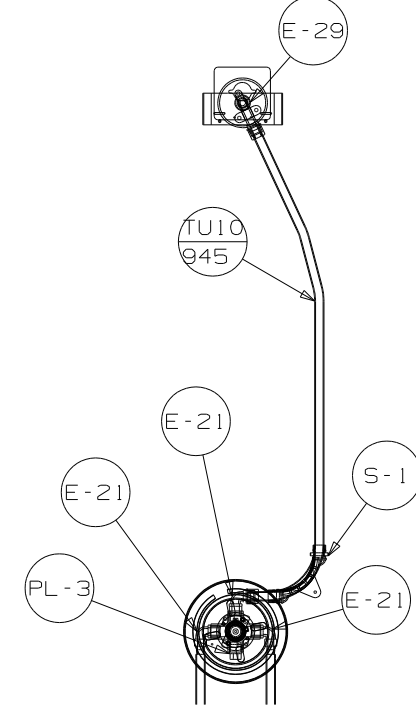
TO TOILET

R-11

8 7

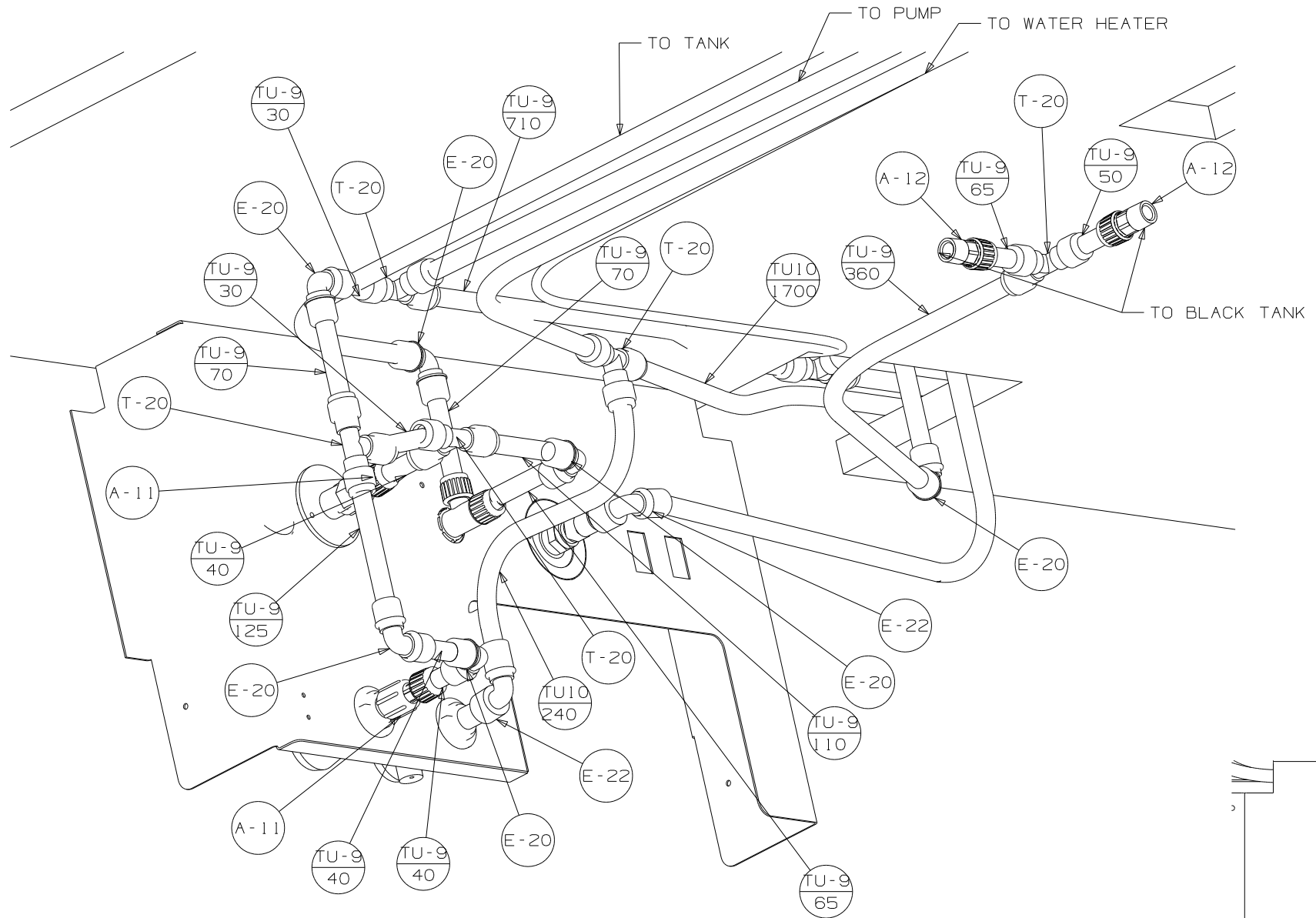
(4) BREAKER-VACUUM
125697-04-000
(MUST BE MOUNTED ABOVE
TOILET FLOOD LEVEL)
CHECK VALVE
125697-03-000

VIEW A

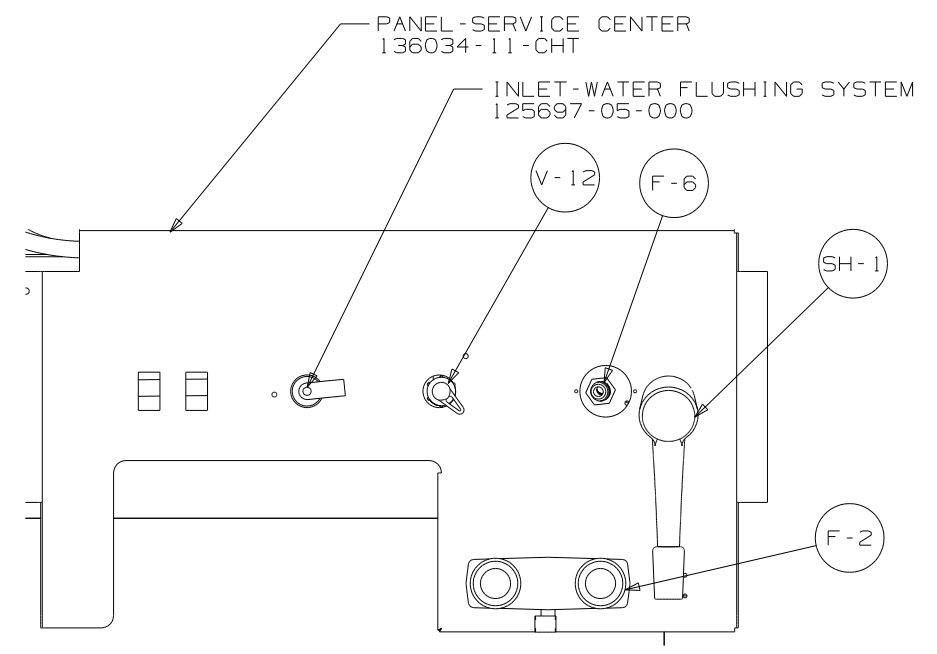


VIEW C
(BRACKETS REMOVED)

FIRST USED	06 F31W
TITLE	DO NOT SCALE DRAWING
TITLE	WATER SYSTEM INSTL
SHEET 2	PART NO 155827

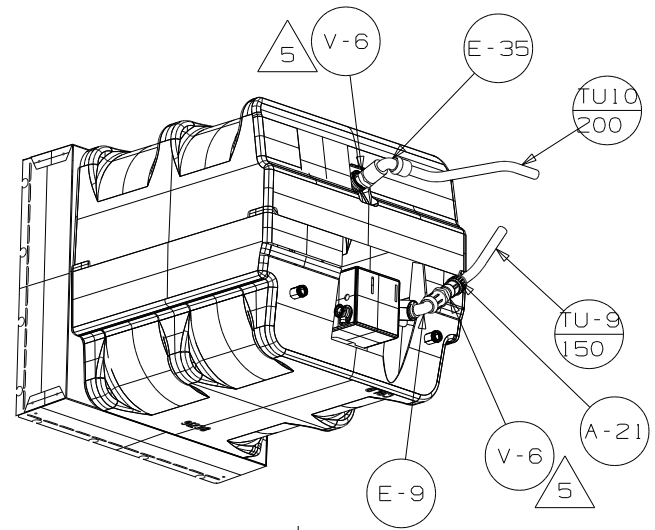


VIEW D



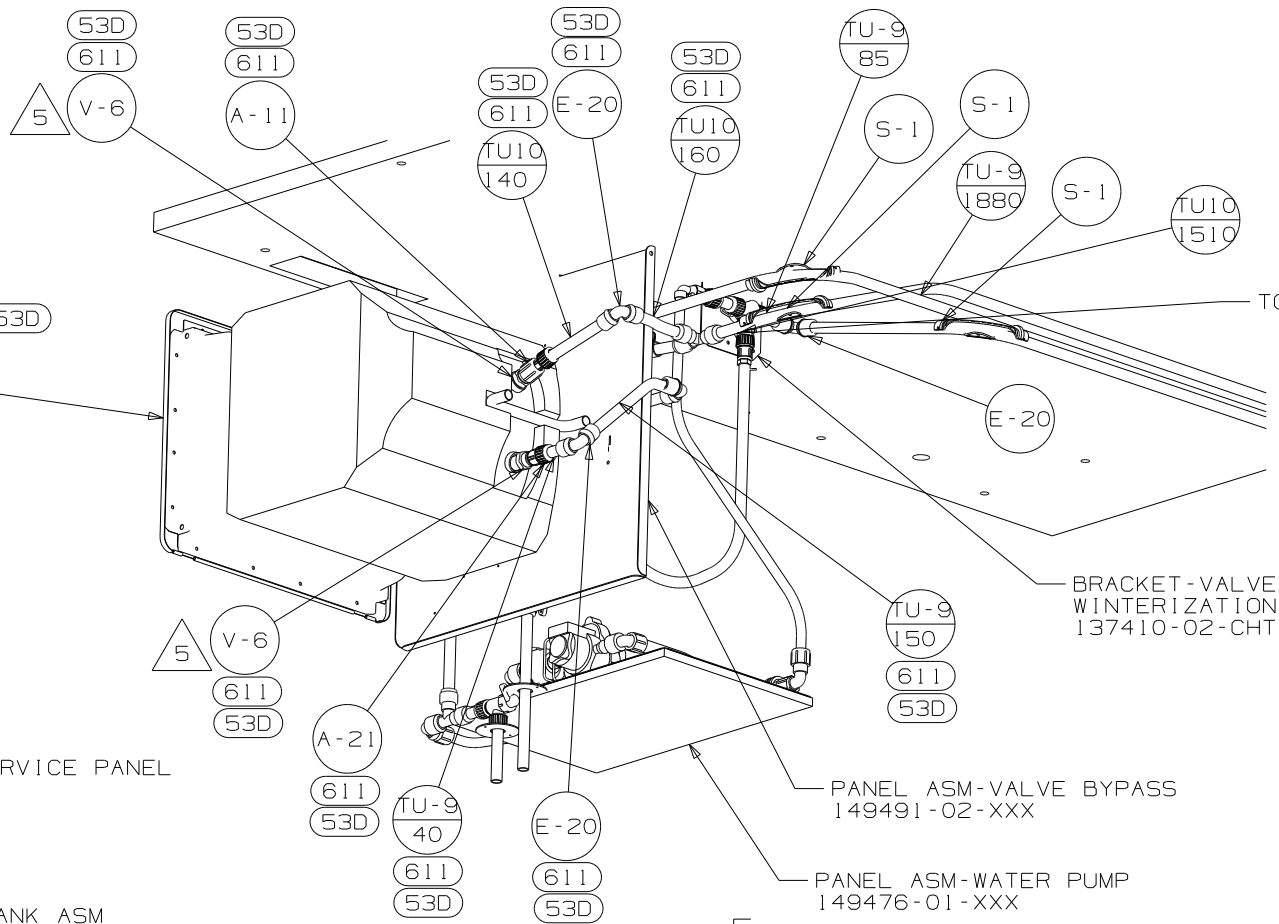
VIEW E

FIRST USED	06 F31W
TITLE	DO NOT SCALE DRAWING
	WATER SYSTEM INSTL
SHEET 3	PART NO 155827

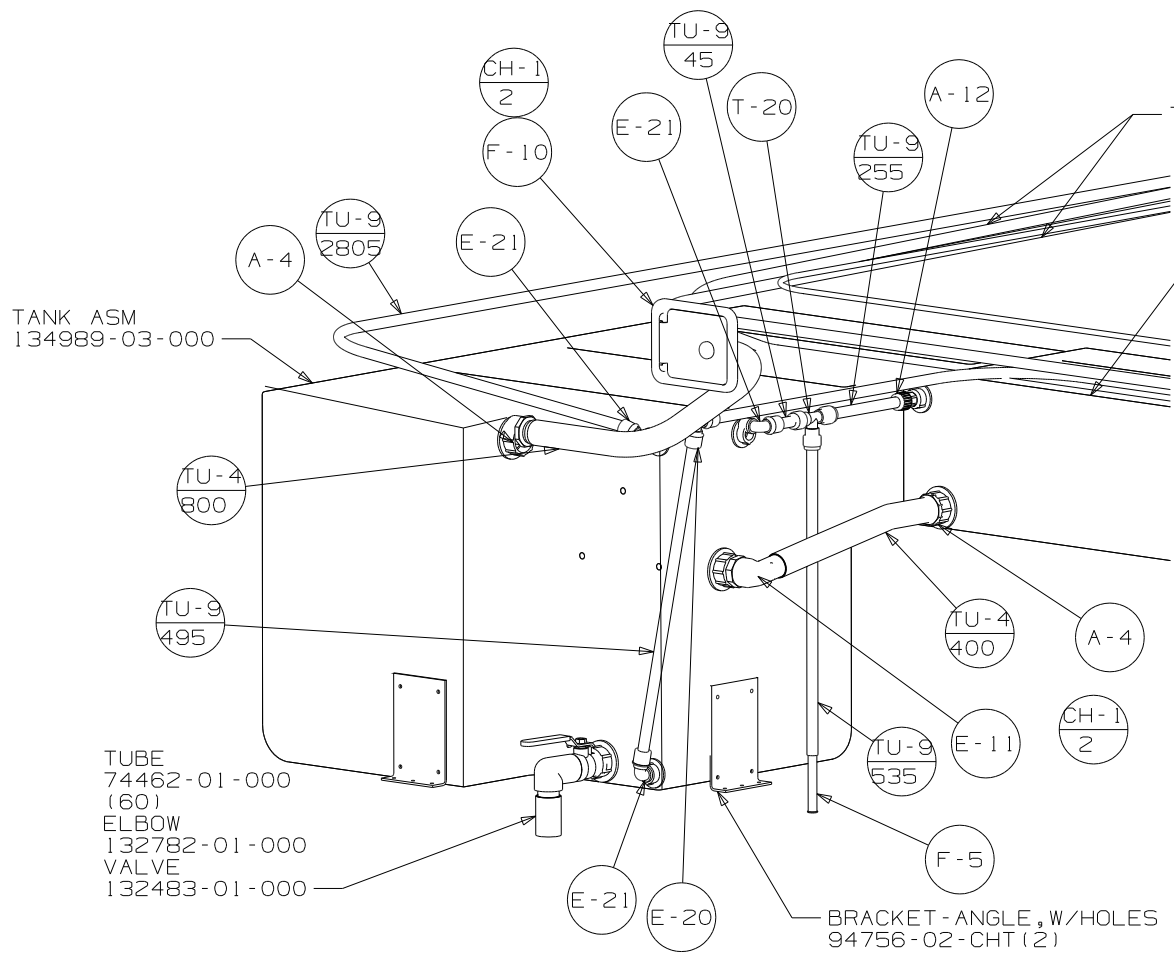


VIEW J
(IB2)

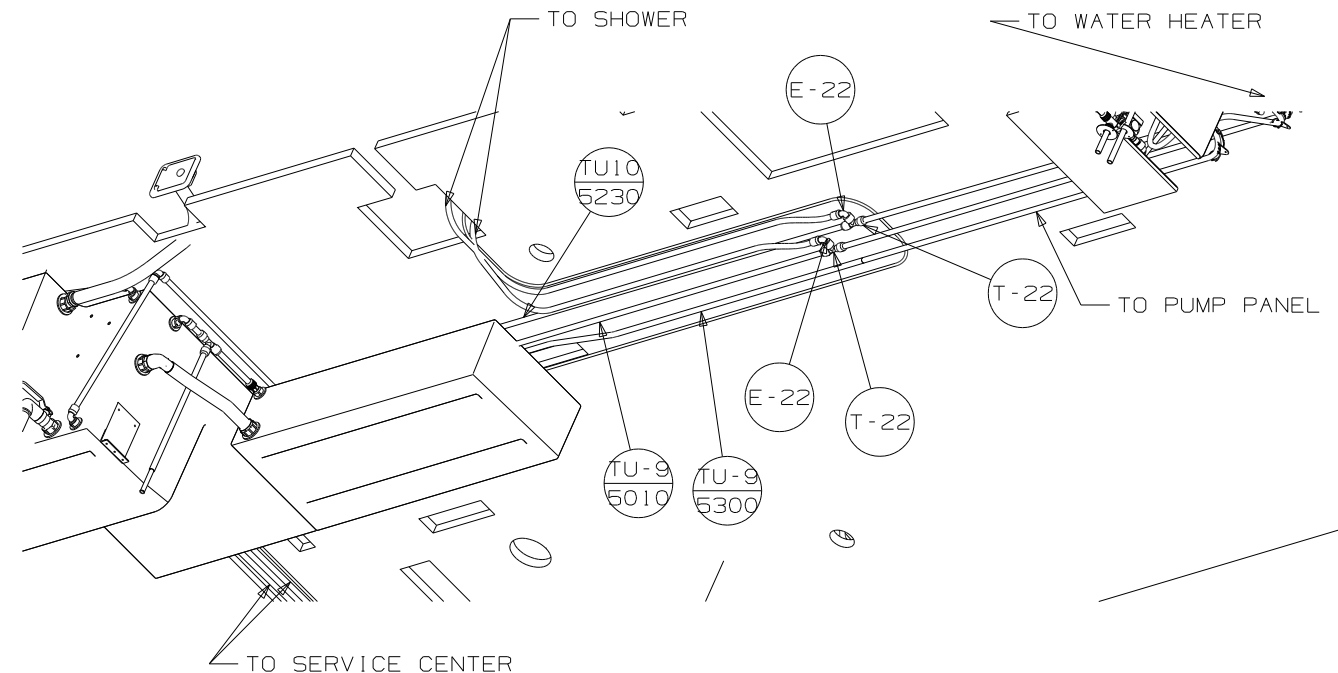
- WATER HEATER
- 51393-01-000 (611)
- 145541-02-000 (53D)
- (IB2) 145541-01-000
- DOOR
- 125420-04-CHT (611) (53D)
- (IB2) 125420-03-CHT
- BUMPER INSTL
- 146507-01-000



VIEW F



VIEW G
(FLOOR REMOVED)



VIEW H

FIRST USED	06 F31W
TITLE	DO NOT SCALE DRAWING
TITLE	WATER SYSTEM INSTL
SHEET 4	PART NO 155827