



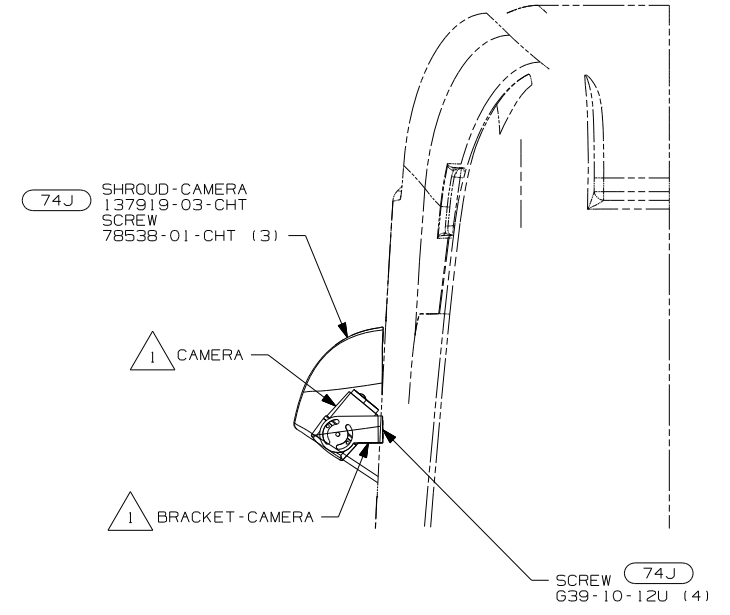
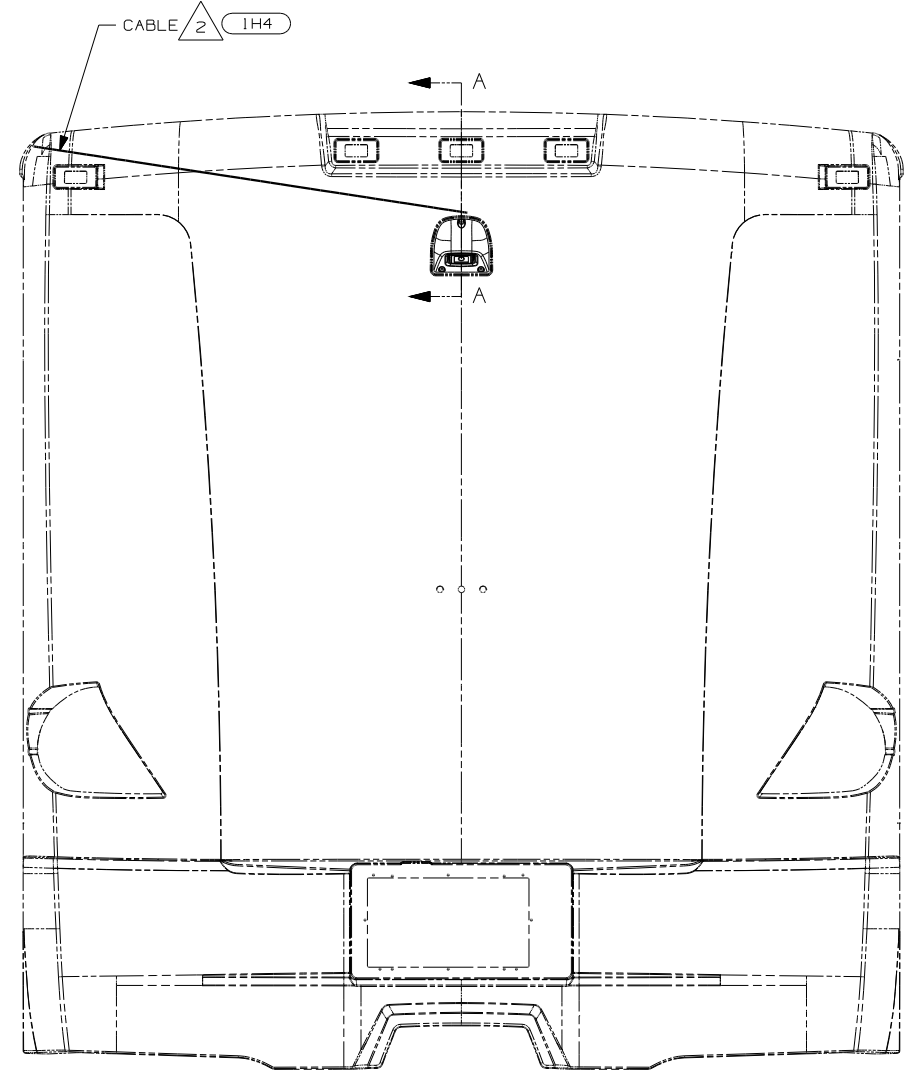
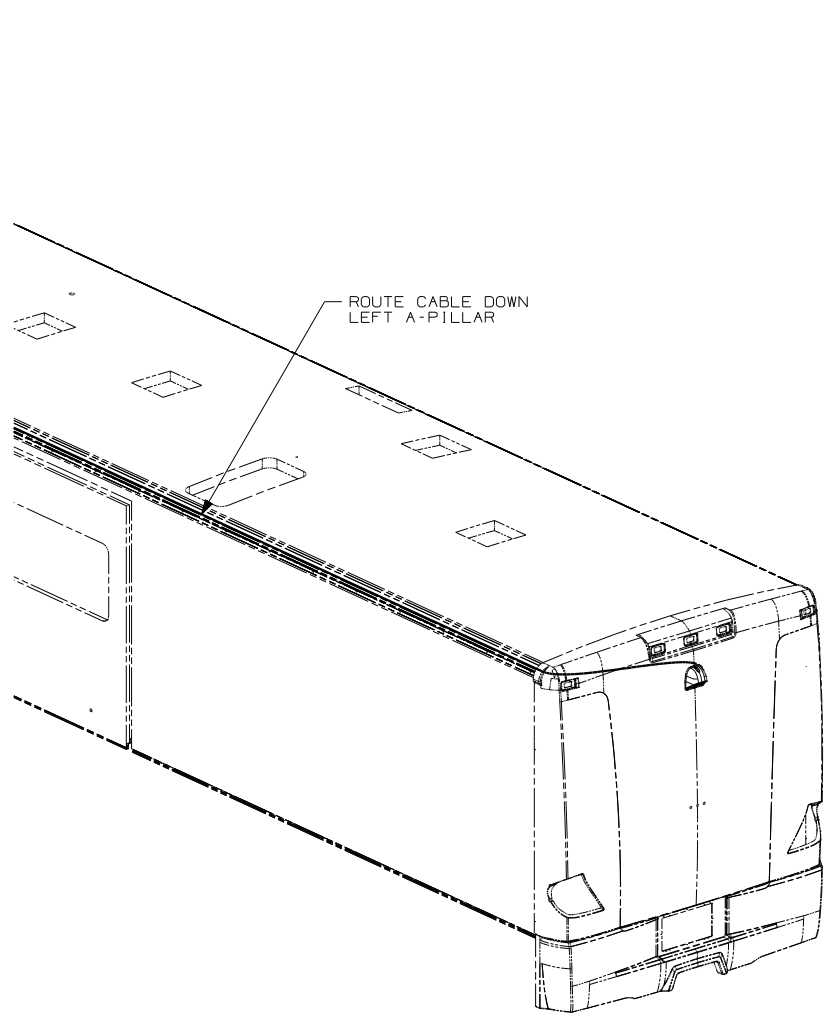
DANGER

Danger of electrical shock, burns or death. Always remove all power sources before attempting any repair, service or diagnostic work. Power can be present from shore power, generator, inverter or battery. All power sources must be disabled and secured before performing any service.



CAUTION

If you lack the skills, tools or equipment to perform diagnostic or repair work leave such work to an authorized Winnebago Industries dealer or other qualified shop.

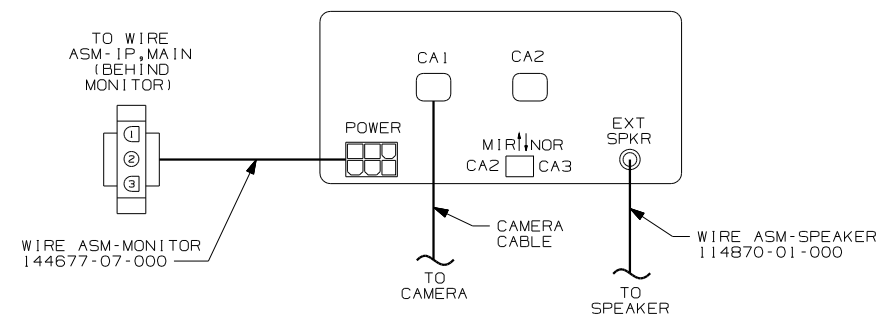


SECTION A-A

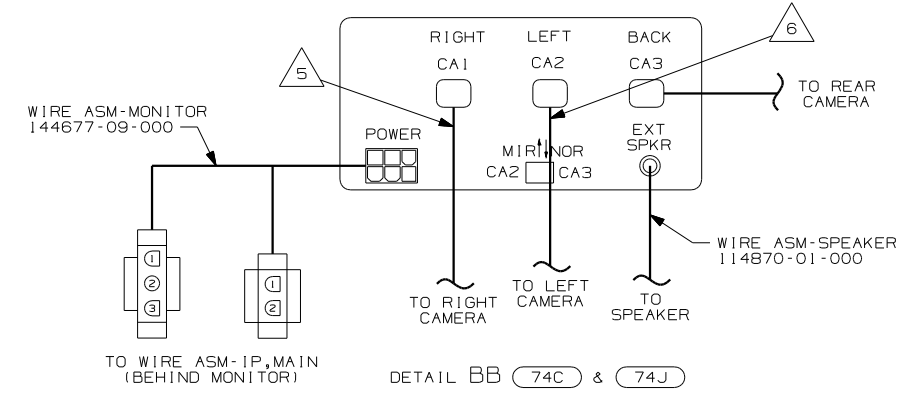
- 74J REARVIEW MONITOR SYSTEM
- 1H4 REARVIEW MONITOR-WIRE PREP
- 1A5 REARVIEW MONITOR SYSTEM W/O

- NOTES:
- 3 END STANDARD CABLE IN THIS AREA ON UNITS WITHOUT MONITOR 1A5 1H4
 - 2 RUN CABLE THRU LEFT-HAND COVE TO REAR OF UNIT. STANDARD ON ALL UNITS WITH 1A5 1H4 74J
 - 1 PARTS SUPPLIED WITH CAMERA KIT P/N 144677-04-000 74J

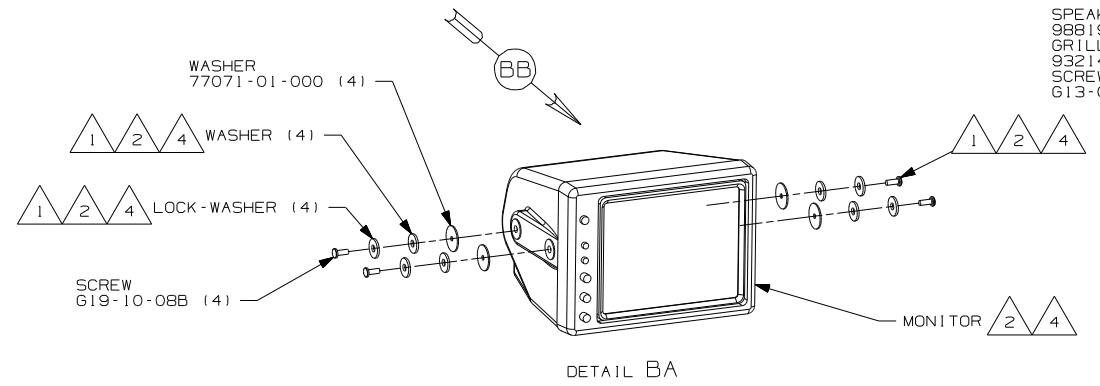
| | | | |
|-------------------------|------------|---|--|
| WINNEBAGO | | COPYRIGHT 2004 WINNEBAGO INDUSTRIES, INC. | |
| DFTR | ORIG. DATE | ALL DIMENSIONS ARE IN MILLIMETERS | |
| CHKR | | FIRST USED | |
| P.E. | | 06 F-SER | |
| M.E. | | UNSPECIFIED TOLERANCES ARE: | |
| DSNR | | MATERIAL: | |
| | | WHOLE DIM (X) : | |
| | | ONE-PLACE (X.X) : | |
| | | TWO-PLACE (X.XX) : | |
| | | ANGLE : | |
| | | THIRD ANGLE PROJECTION | |
| DO NOT SCALE DRAWING | | | |
| TITLE: MONITOR INSTL | | | |
| SHEET 1 OF 2 | PART NO | 152126 | |
| REF: | | 1 6/15/2005 | |



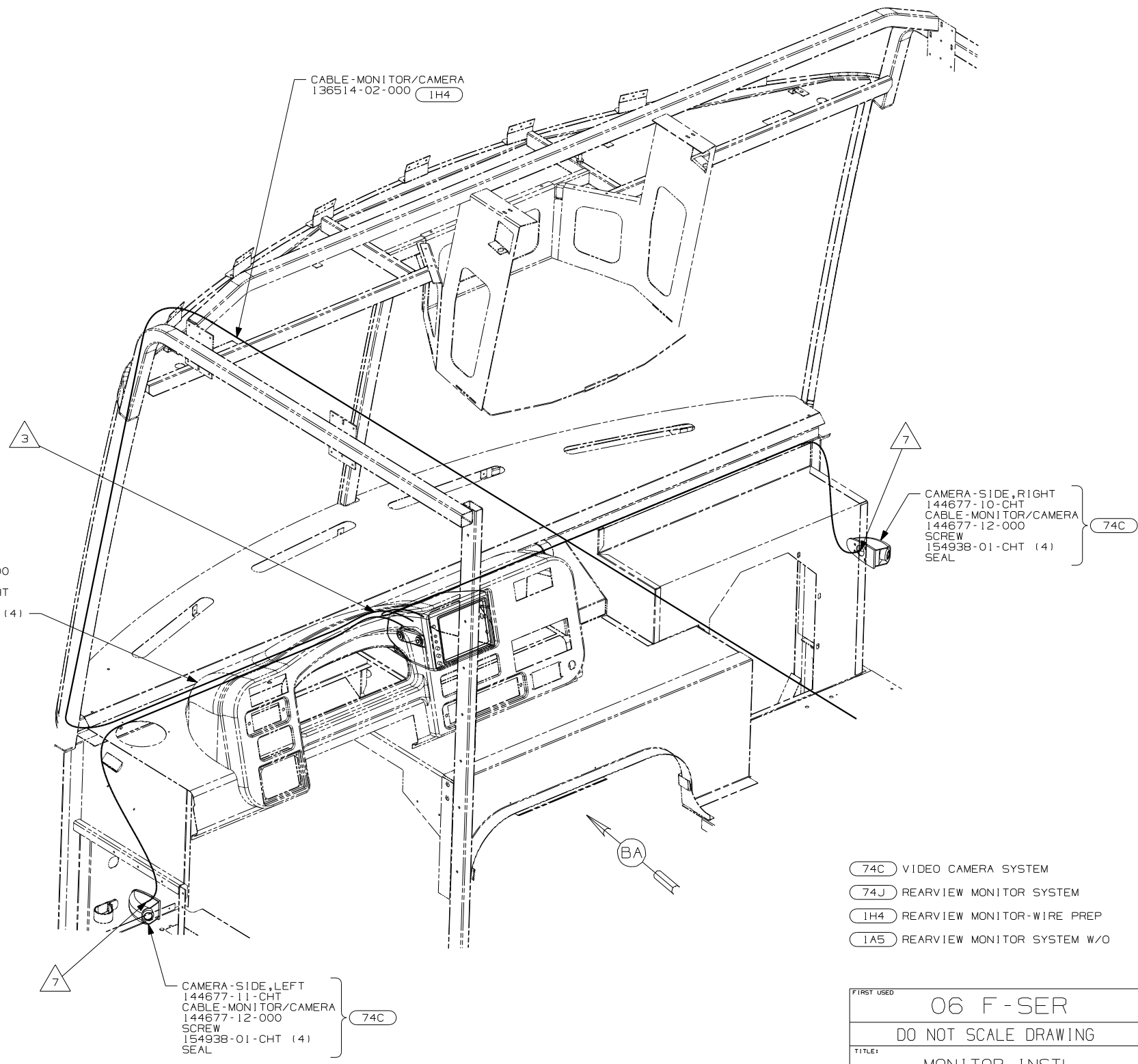
DETAIL BB (74J) ONLY



DETAIL BB (74C & 74J)



DETAIL BA



- NOTES:
- 7 CONNECT CAMERA THRU HOLE IN SIDEWALL, PUSH CONNECTOR BACK THRU SIDEWALL, AND SEAL HOLE.
 - 6 MARK LEFT CABLE WITH YELLOW TAPE 900000-07-000 NEXT TO CONNECTOR.
 - 5 MARK RIGHT CABLE WITH WHITE TAPE 900000-08-000 NEXT TO CONNECTOR.
 - 4 PARTS SUPPLIED WITH MONITOR P/N 144677-08-000. (74C & 74J)
 - 3 END CABLE IN THIS AREA ON UNITS W/O MONITOR. (1A5) (1H4)
 - 2 PARTS SUPPLIED WITH MONITOR P/N 144677-06-000. (74J) ONLY.
 - 1 SEE REARVIEW MONITOR KIT INSTALLATION INSTRUCTIONS FOR MORE DETAILS.

- (74C) VIDEO CAMERA SYSTEM
- (74J) REARVIEW MONITOR SYSTEM
- (1H4) REARVIEW MONITOR-WIRE PREP
- (1A5) REARVIEW MONITOR SYSTEM W/O

| | | |
|------------|----------------------|--------|
| FIRST USED | 06 F-SER | |
| TITLE | DO NOT SCALE DRAWING | |
| | MONITOR INSTL | |
| SHEET 2 | PART NO | 152126 |