



**DANGER**

**Danger of electrical shock, burns or death.** Always remove all power sources before attempting any repair, service or diagnostic work. Power can be present from shore power, generator, inverter or battery. All power sources must be disabled and secured before performing any service.

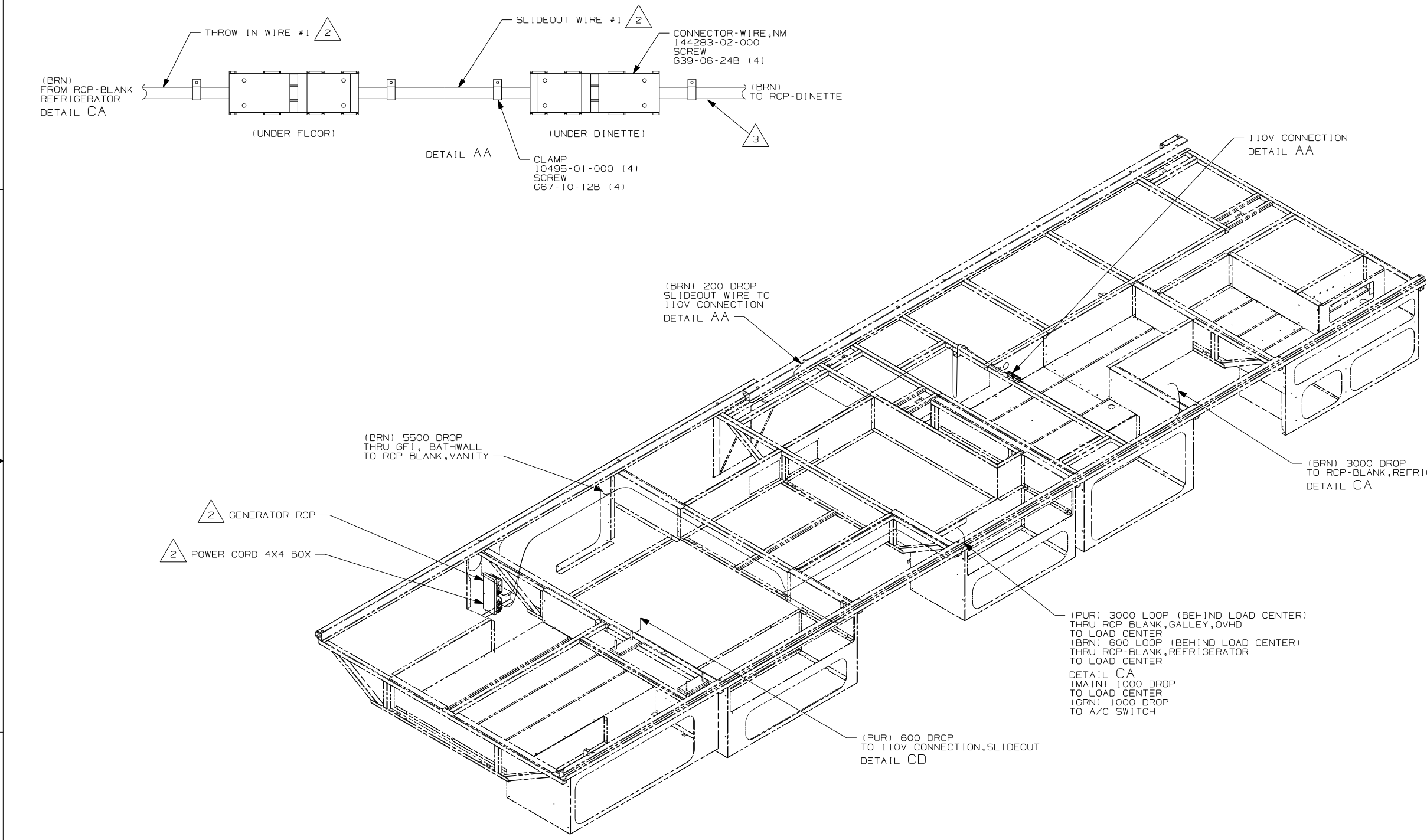


**CAUTION**

If you lack the skills, tools or equipment to perform diagnostic or repair work leave such work to an authorized Winnebago Industries dealer or other qualified shop.

DRAWING NO.	FEATURE
153858-11	(1B1) (12D)
153858-15	(265) (12D)

RELEASE	REV DATE	DWG NO	153858
REV ZONE	REVISION RECORD	DATE	DTR-016



4. ALL WIRES TO BE SECURED WITH CLAMP 10495 OR 10497 OR WIRE TIE 8343 OR 108046 EVERY 600MM, USE SCREW G67-XX-XXX OR G56-XX-XXX AS APPROPRIATE FOR INSTALLATION.

(3) WIRE IN SIDEWALL.

(2) SEE LOAD CENTER/ATS FOR ADDITIONAL INFORMATION.

1. WIRES ROUTED UNDER FLOOR.

NOTES:

FOR ELECTRICAL TORQUE SPECIFICATIONS SEE DWG NO. 128783-01-000

(X-X) FOR ELECTRICAL CALLOUTS SEE DWG NO. 121339-01-000

- (12D) ELECTRICAL SYSTEM 30 AMP
- (265) CODES/STANDARDS-CSA/CMVSS
- (1B1) CODES/STANDARDS USA
- (1B1) (265)

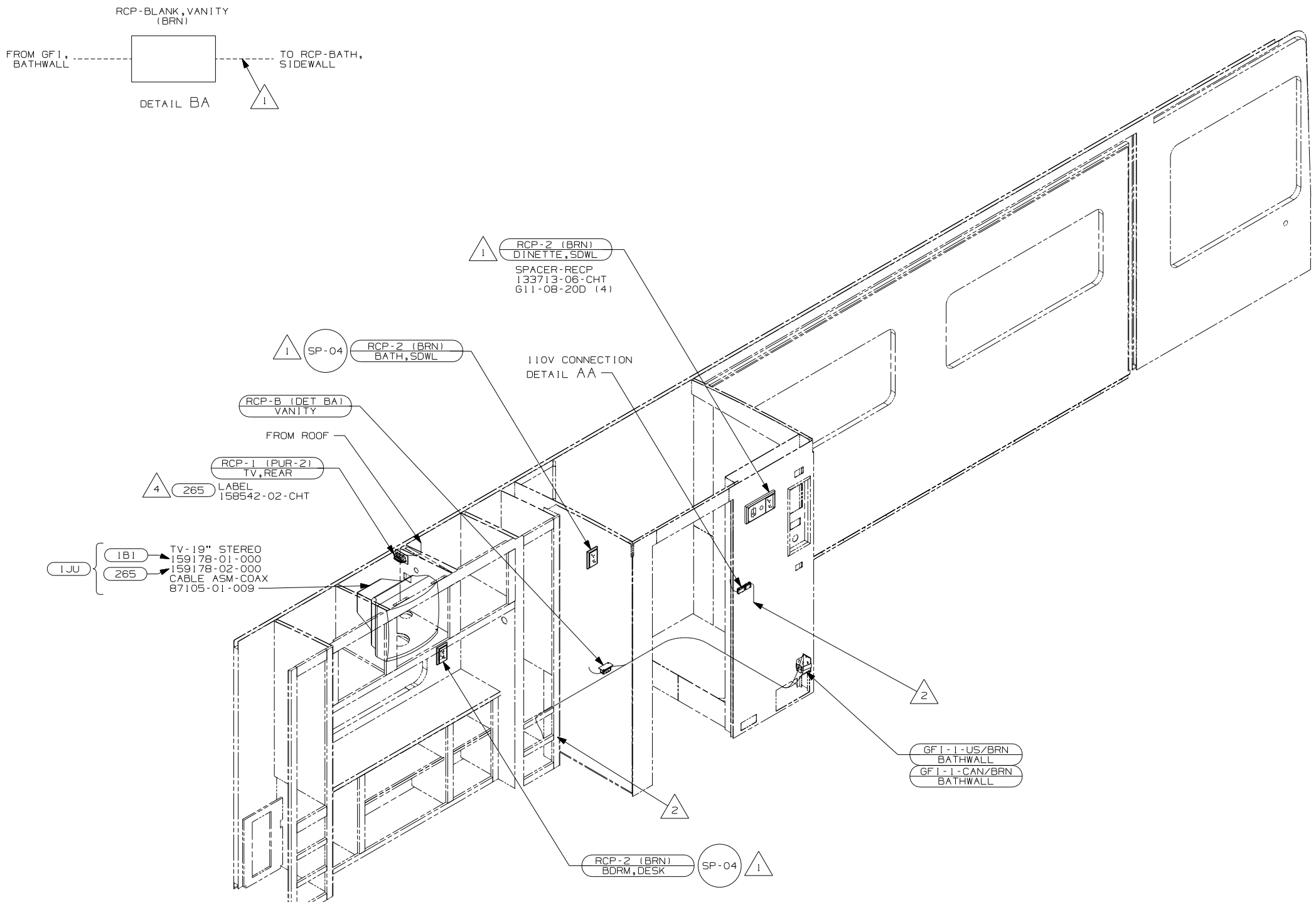
<b>WINNEBAGO</b>		COPYRIGHT 2006 WINNEBAGO INDUSTRIES, INC.	
DTR	ORIG. DATE	ALL DIMENSIONS ARE IN MILLIMETERS	
CHKR		FIRST USED	
P.E.		06 D35N	
M.E.		UNSPECIFIED TOLERANCES ARE:	
DSNR		MATERIAL:	
		WHOLE DIM (X)	: 3
		ONE-PLACE (X.X)	: 1.5
		TWO-PLACE (X.XX)	: 0.50
		ANGLE	: 1°
		THIRD ANGLE PROJECTION	

DO NOT SCALE DRAWING

TITLE: WIRING INSTL-BODY, 110V

SHEET 1 of 4 PART NO 153858 REV

REF: 1 6/16/2006



4 WITHOUT 1JU .

3. ALL WIRES TO BE SECURED WITH CLAMP 10495 OR 10497 OR WIRE TIE 8343 OR 108046 EVERY 600MM, USE SCREW G67-XX-XXX OR G56-XX-XXX AS APPROPRIATE FOR INSTALLATION.

2 WIRE ROUTES THRU FLOOR IN THIS AREA.

1 WIRE ROUTED IN SIDEWALL

NOTES:

- 1JU TV (REAR) - 19" COLOR, STEREO
- 265 CODES/STANDARDS - CSA/CMVSS
- 1B1 CODES/STANDARDS USA

1B1 265

FIRST USED 06 D35N

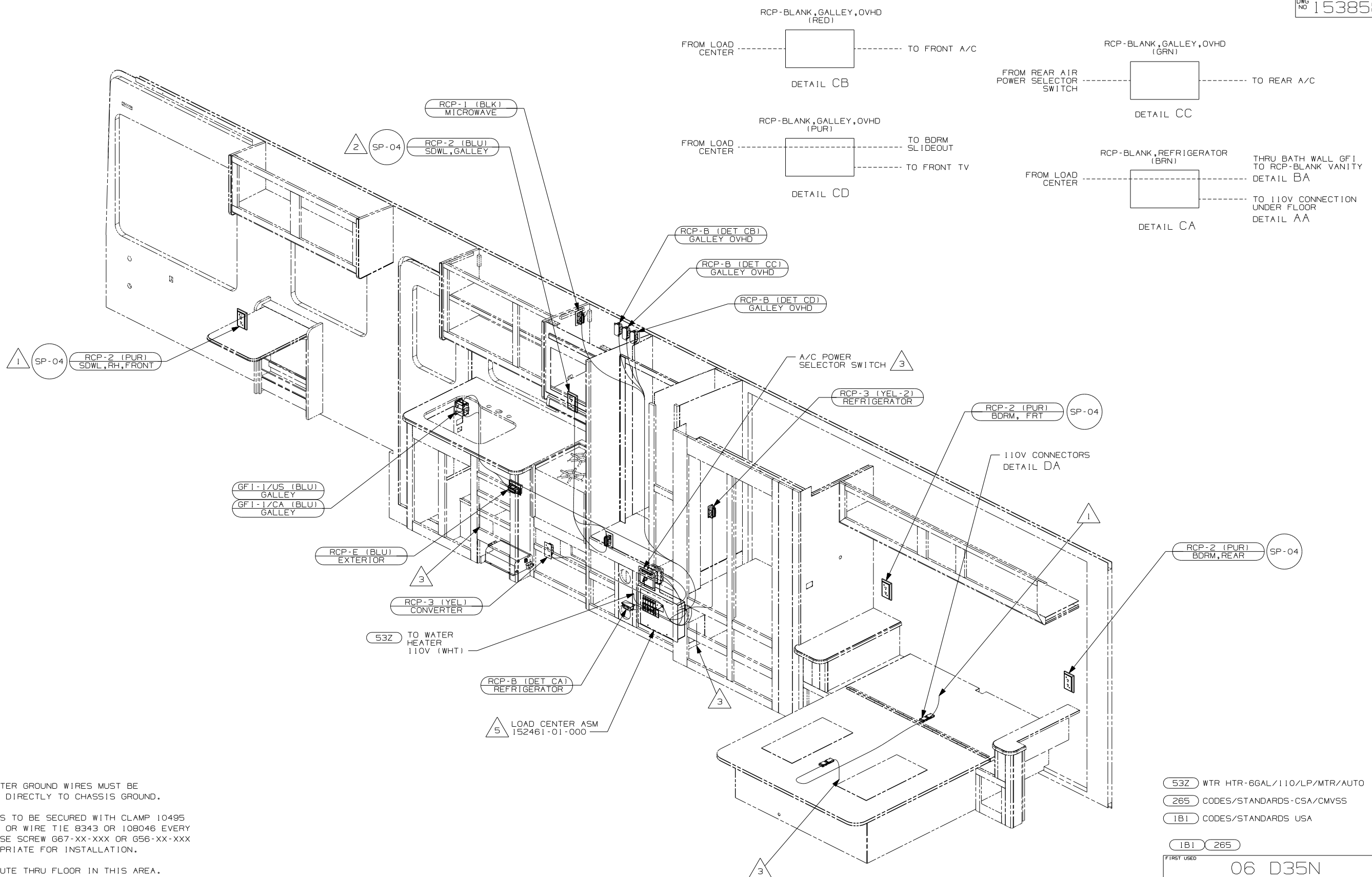
DO NOT SCALE DRAWING

TITLE: WIRING INSTL - BODY, 110V

SHEET 2 PART NO 153858 REV

FOR ELECTRICAL TORQUE SPECIFICATIONS SEE DWG NO. 128783-01-000

FOR ELECTRICAL CALLOUTS SEE DWG NO. 121339-01-000



- 5 LOAD CENTER GROUND WIRES MUST BE ATTACHED DIRECTLY TO CHASSIS GROUND.
4. ALL WIRES TO BE SECURED WITH CLAMP 10495 OR 10497 OR WIRE TIE 8343 OR 108046 EVERY 600MM, USE SCREW G67-XX-XXX OR G56-XX-XXX AS APPROPRIATE FOR INSTALLATION.
- 3 WIRES ROUTE THRU FLOOR IN THIS AREA.
- 2 ROUTE WIRE THRU SIDEWALL.
- 1 WIRE ROUTED IN SIDEWALL.

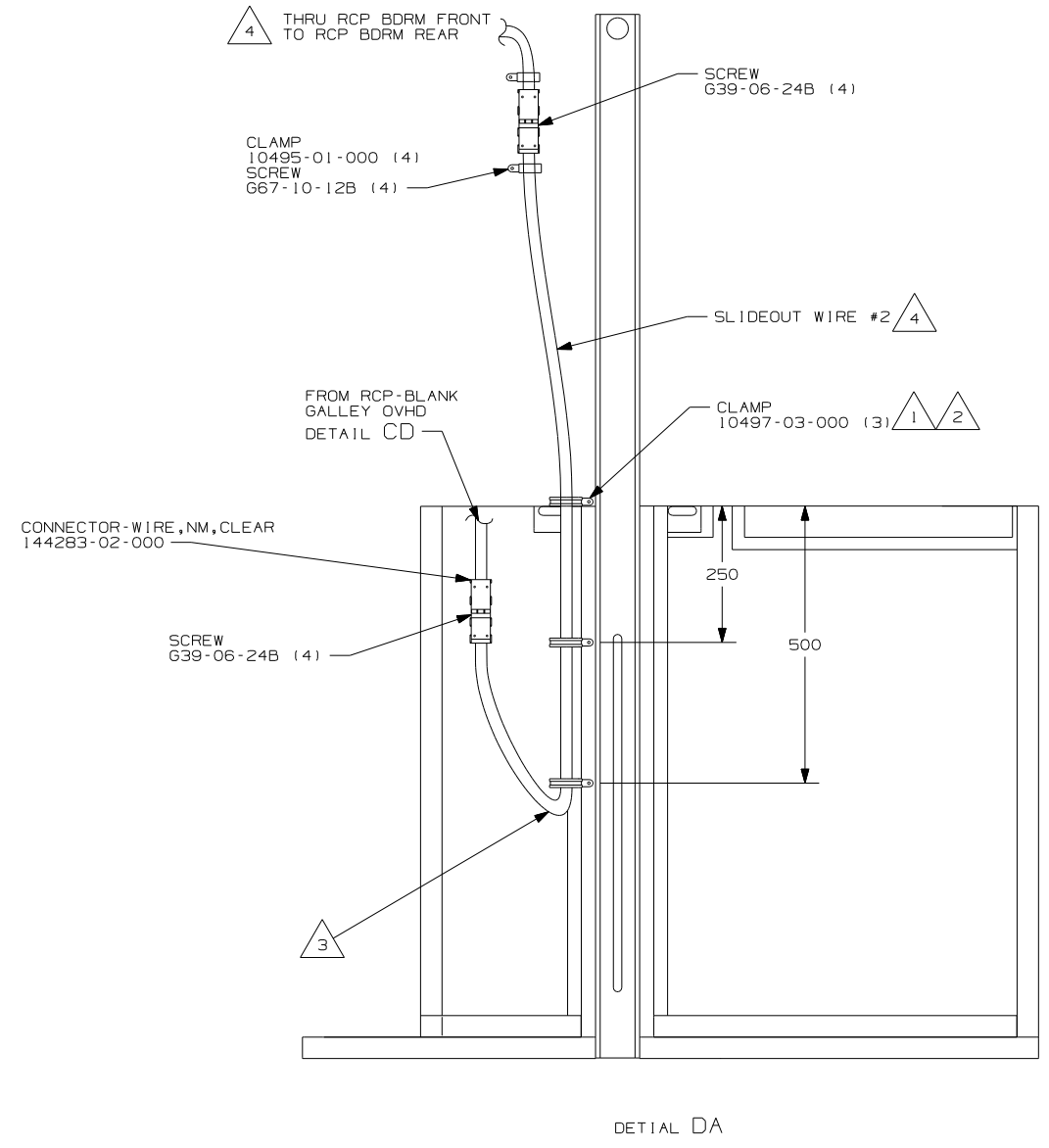
NOTES:

- 53Z WTR HTR-66AL/110/LP/MTR/AUTO
- 265 CODES/STANDARDS-CSA/CMVSS
- 1B1 CODES/STANDARDS USA

FIRST USED	06 D35N
TITLE	DO NOT SCALE DRAWING
	WIRING INSTL-BODY, 110V
SHEET 3	PART NO 153858 REV

FOR ELECTRICAL TORQUE SPECIFICATIONS SEE DWG NO. 128783-01-000

FOR ELECTRICAL CALLOUTS SEE DWG NO. 121339-01-000



- NOTES:
- △ 4 FOR MORE INFORMATION SEE LOAD CENTER/ATS ASM.
  - △ 3 MAKE THE LOOP AS SMALL AS POSSIBLE WHEN SLIDEOUT IS COMPLETELY RETRACTED.
  - △ 2 RUN 12V WIRE ALONG WITH SLIDEOUT WIRE #2
  - △ 1 WIRE MUST BE ROUTED THROUGH CLAMPS AS SHOWN.

FOR ELECTRICAL TORQUE SPECIFICATIONS SEE DWG NO. 128783-01-000

(X-X) FOR ELECTRICAL CALLOUTS SEE DWG NO. 121339-01-000

FIRST USED		06 D35N	
DO NOT SCALE DRAWING			
TITLE:		WIRING INSTL-BODY, 110V	
SHEET 4	PART NO	153858	REV