

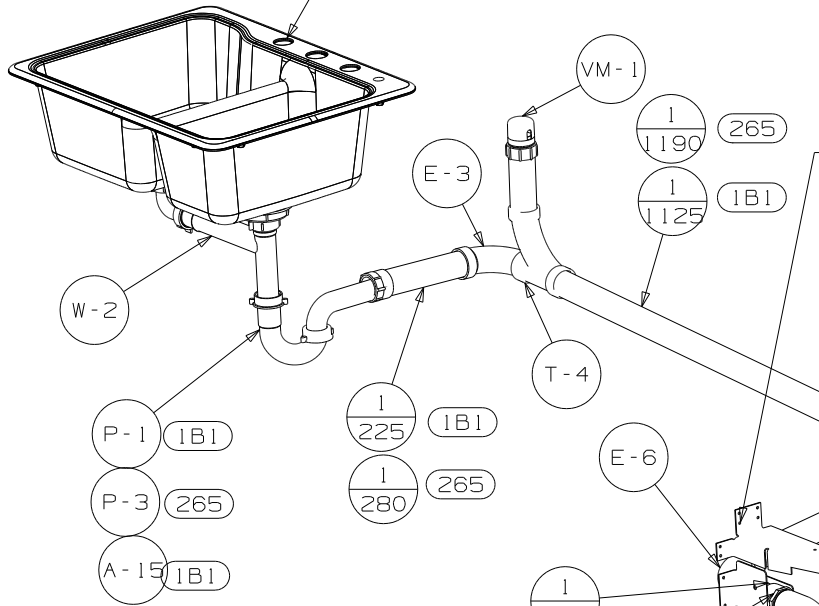
- NOTES:
- 7 VALVE TERMINATION TEE TO BE POSITIONED AT 10° DOWN AND OUTBOARD.
 - 6 VENT PIPE MUST PROJECT 51 MIN AND 64 MAX ABOVE ROOF FOR PROPER FIT AND FUNCTION.
 - 5. SEAL AROUND SHOWER WITH SILICONE.
 - 4. ALL EXTERIOR OPENINGS AROUND PIPE TO BE SEALED WITH 131264-03-000.
 - 3. ALL PIPE AND FITTINGS TO BE ASSEMBLED WITH SOLVENT 4020-01-000 (USA) 4020-02-000 (CAN).
 - 2. SLOPE OF TRAP ARM MUST BE 6 PER 305 mm.
 - 1. SLOPE OF HORIZONTAL PIPING TO BE MIN 3 PER 305 mm.

(B1) CODES/STANDARDS-USA
 (265) CODES/STDS-CSA/CMVSS

WINNEBAGO		COPYRIGHT 2006 WINNEBAGO INDUSTRIES, INC.	
D/FR	ORIG. DATE	ALL DIMENSIONS ARE IN MILLIMETERS	
CHKR		FIRST USED	
P.E.		06 D34A	
M.E.		UNSPECIFIED TOLERANCES ARE:	
DSNR		MATERIAL:	
		WHOLE DIM (X)	: 3
		ONE-PLACE (X.X)	:
		TWO-PLACE (X.XX)	:
		ANGLE	:
		THIRD ANGLE PROJECTION	
DO NOT SCALE DRAWING			
TITLE: DRAINAGE SYSTEM INSTL			
SHEET 1 OF 3	PART NO	155353	REV

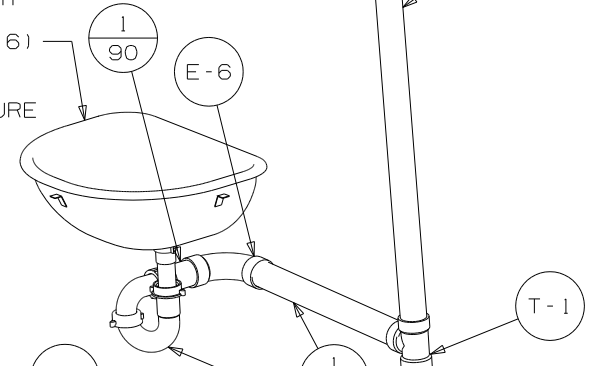
(X-X)
 FOR
 DRAINAGE
 CALLOUTS
 SEE DWG NO
 116229-01-000

SINK-SMC, DBL L/S BASIN
 148870-02-CHT (US/CAN)
 STRAINER
 92303-01-000 (2)
 BRACKET
 130481-07-CHT (8)
 SCREW
 G67-01-08B (8)



BRACKET-COVER, PLUMBING
 142526-01-CHT
 BRACKET-CARRIER
 142527-01-CHT
 142527-02-CHT

SINK, LAVATORY
 142285-01-CHT
 TAILPIECE
 106116-01-CHT
 GASKET
 106116-02-CHT
 SCREW
 G67-08-10U (6)



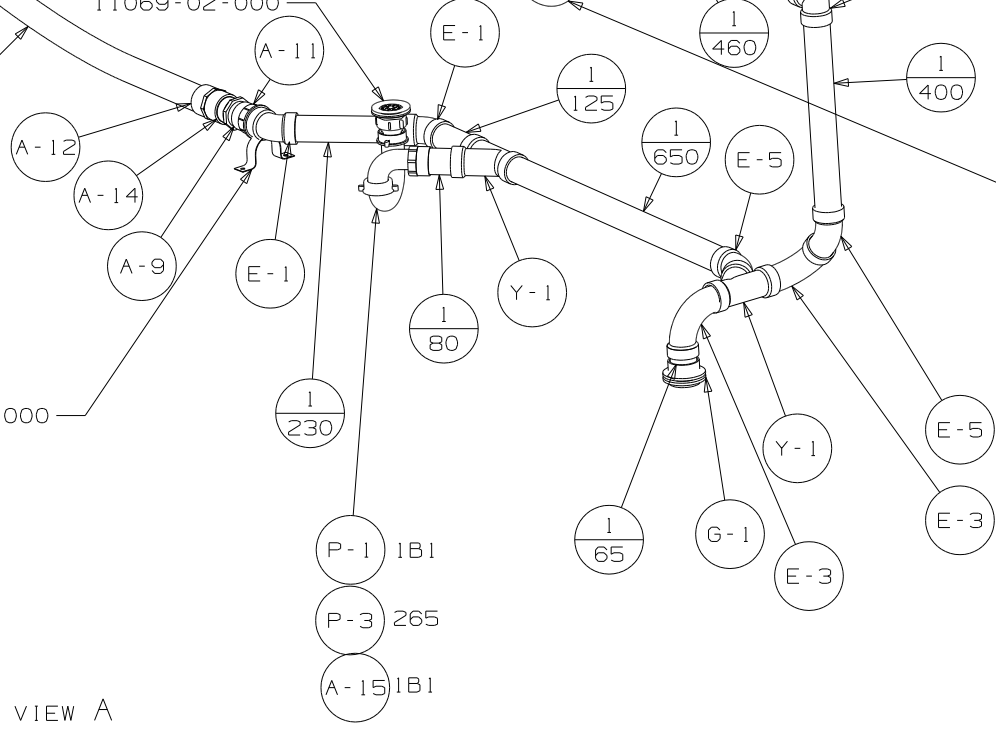
SHOWER INSTL-ENCLOSURE
 147868-02-CHT
 STRAINER
 66440-01-000
 SEALER
 69640-01-000
 NUT
 130403-01-000
 WASHER-RUBBER
 127440-02-CHT
 TAILPIECE
 11069-02-000

PRIMER
 126427-02-00
 CEMENT
 126427-01-000 (USA)
 126427-03-000 (CAN)

ELBOW-1 1/2"
 136111-01-000

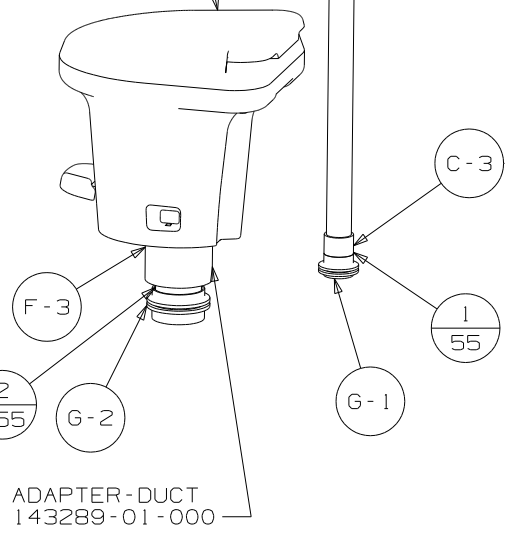
3
 815

STRAP
 8406-01-000



TOILET-AQUA MAGIC
 147421-01-CHT

P-1 1B1
 P-3 265
 A-15 1B1

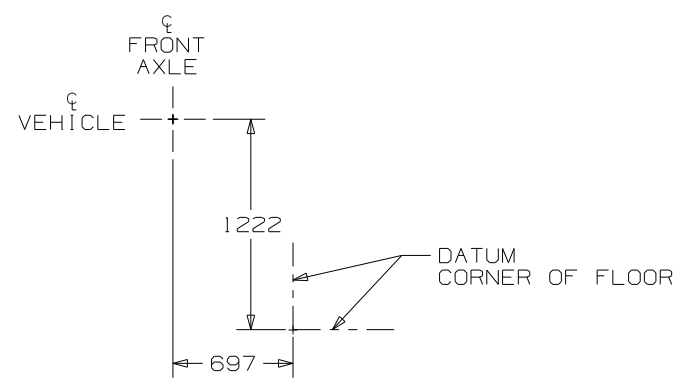


ADAPTER-DUCT
 143289-01-000

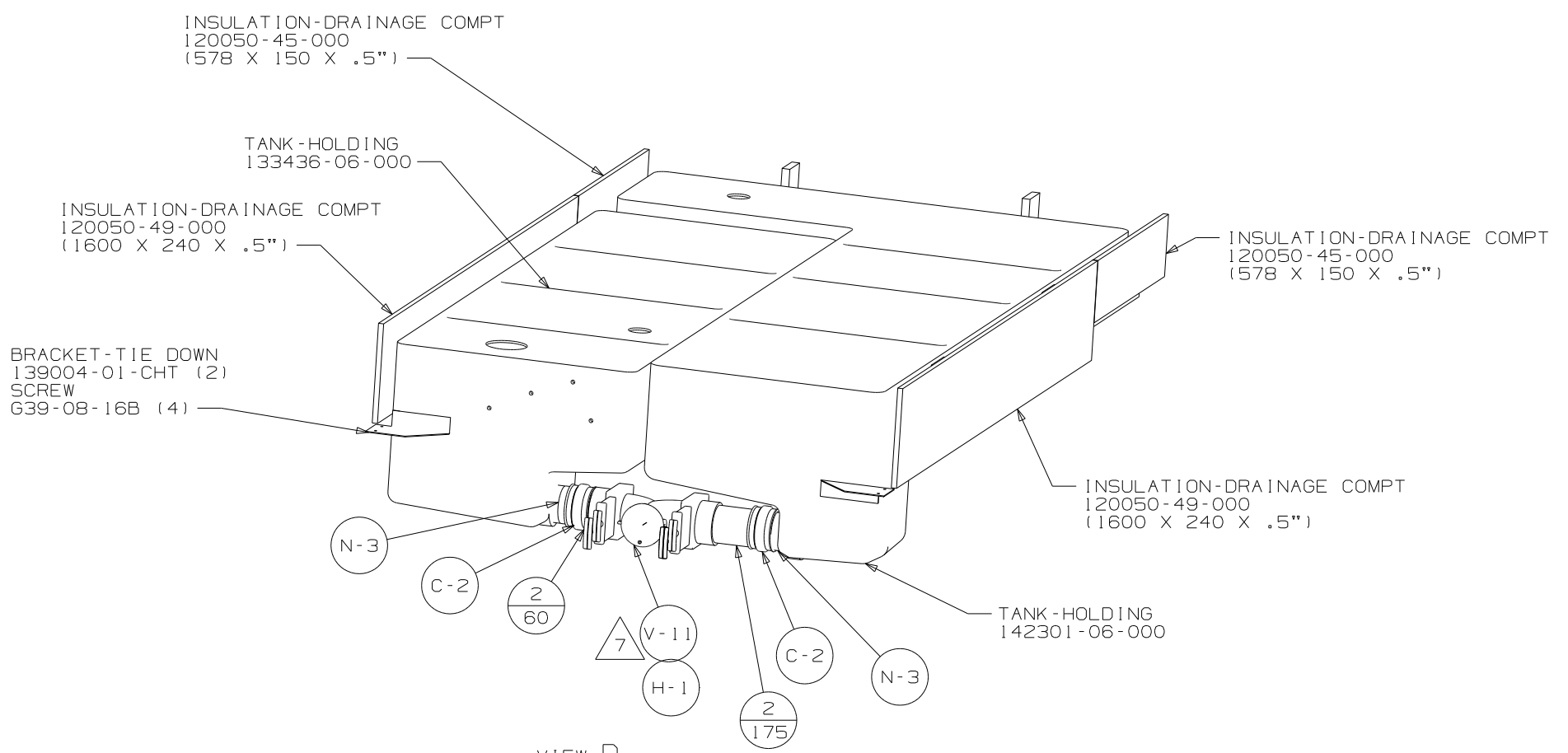
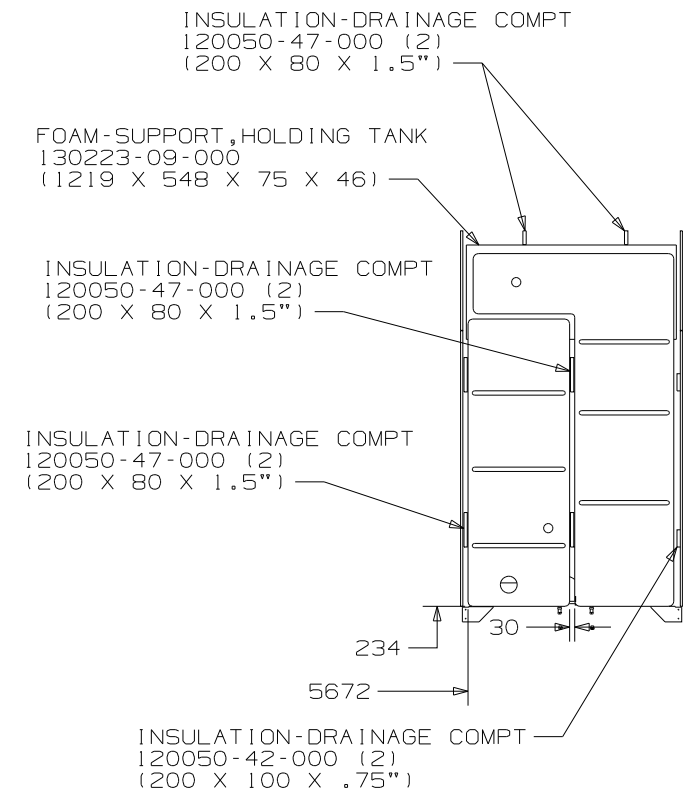
VIEW A

VIEW B

FIRST USED	06 D34A	
TITLE	DO NOT SCALE DRAWING	
	DRAINAGE SYSTEM INSTL	
SHEET 2	PART NO	155353
	REV	

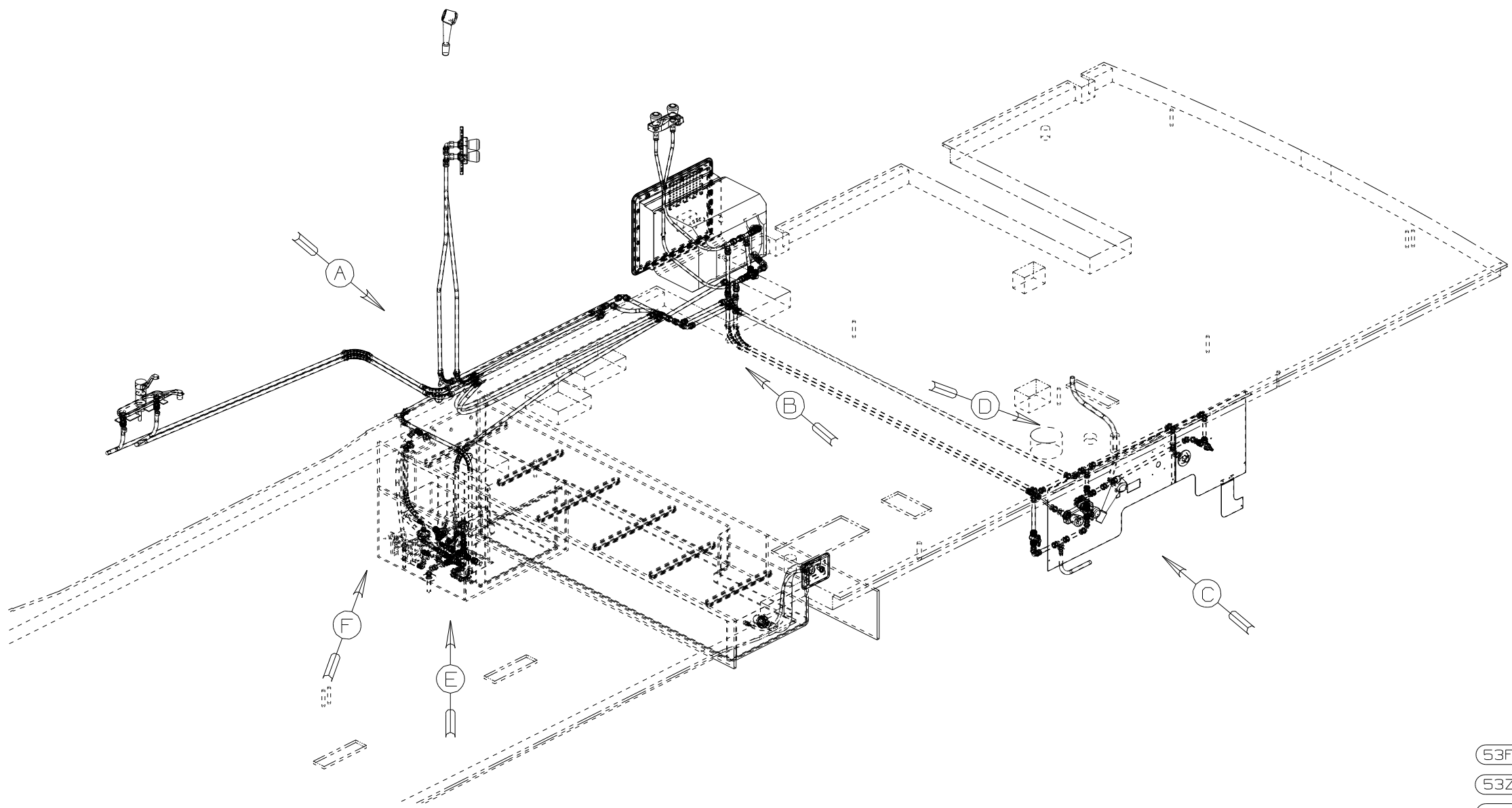


VIEW C



VIEW D

FIRST USED	06 D34A
DO NOT SCALE DRAWING	
TITLE	DRAINAGE SYSTEM INSTL
SHEET 3	PART NO 155353 REV

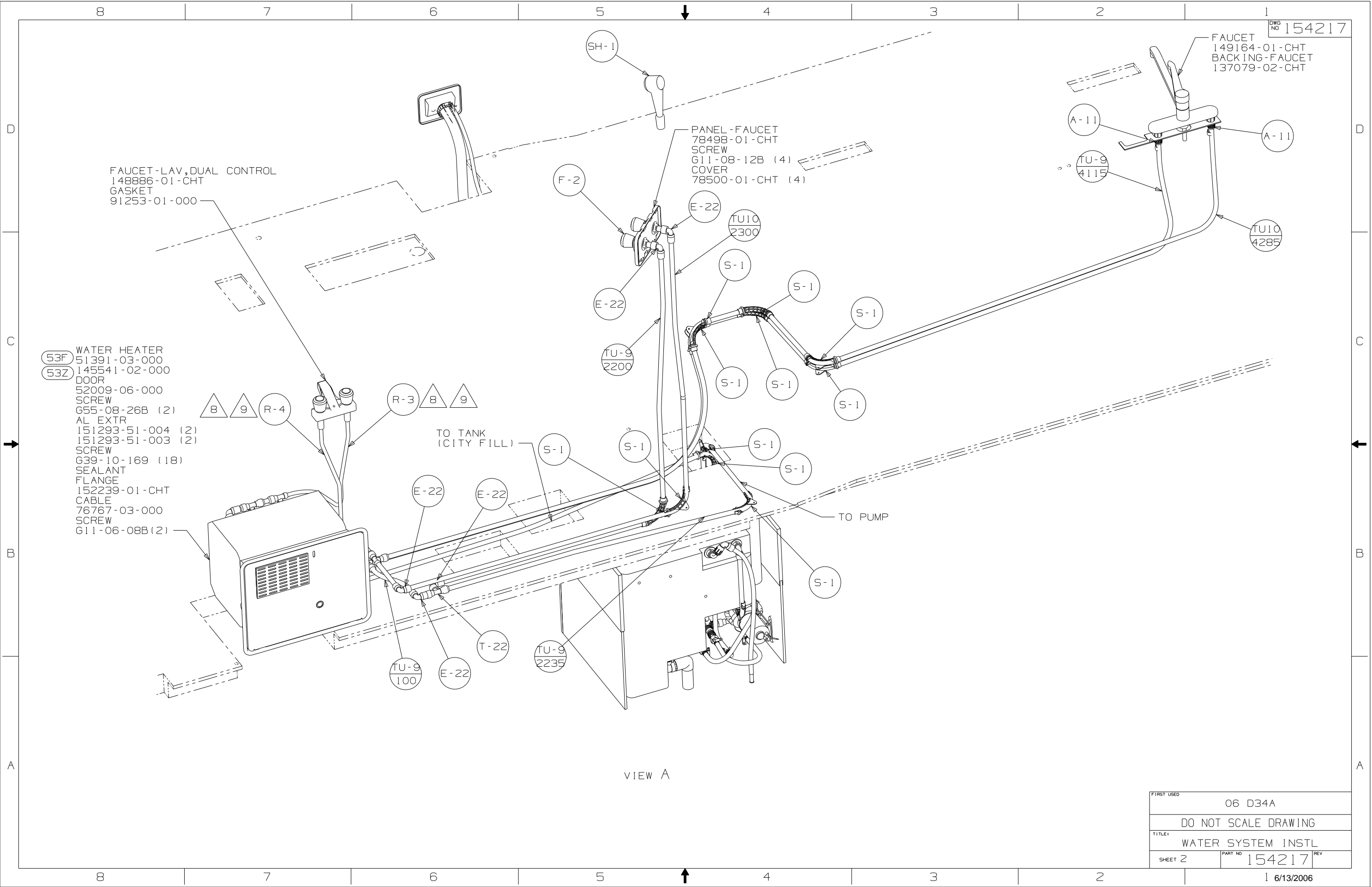


- NOTES:
- 10. ADD PIPE WRAP (LADDER SCRAP) INSULATION HERE.
 - 9. LABEL THE HOT AND COLD SUPPLY TUBES.
 - 8. TAPE FITTING TO TUBE BEFORE CABINET SET TO PREVENT FITTING FROM MOVING.
 - 7. ADD TEFLON TAPE 10405-01-000 TO FITTINGS.
 - 6. ADD TEFLON TAPE 10405-03-000 TO FITTING.
 - 5. ADD TEFLON TAPE 10405-02-000 TO FITTINGS.
 - 4. CLAMPS MUST BE ON BARBS.
3. ALL TUBING TO BE SECURED AT 1200 INTERVALS MAXIMUM WITH CLAMP 10495-01-000 OR CLIP 9151-01-000 AND SCREW G67-10-12B.
 2. TUBING TO BE INSTALLED WITH SUFFICIENT SLOPE TO PROVIDE DRAINAGE TO NEAREST VALVE.
 1. PLASTIC FITTINGS TO BE SEALED WITH SEALANT 84456-01-000.

- (53F) WATER HEATER-ELEC IGNITION
- (53Z) WTR HTR-6 GAL/110/LP/MRT/AUTO
- (1J4) W/O EXTERIOR WASH STATION
- (64R) EXTERIOR WASH STATION

(X-X)
FOR
WATER
CALLOUTS
SEE DWG NO
116230-01-000

WINNEBAGO		COPYRIGHT 2006 WINNEBAGO INDUSTRIES, INC.	
DFTR	ORIG. DATE	ALL DIMENSIONS ARE IN MILLIMETERS	
CHKR		FIRST USED	
P.E.		06 D34A	
M.E.		UNSPECIFIED TOLERANCES ARE:	
DSNR		MATERIAL:	
		WHOLE DIM (X)	: 3
		ONE-PLACE (X.X)	:
		TWO-PLACE (X.XX)	:
		ANGLE	:
THIRD ANGLE PROJECTION		DO NOT SCALE DRAWING	
TITLE: WATER SYSTEM INSTL			
SHEET 1 OF 4	PART NO	154217	REV
REF:	1 6/13/2006		



FAUCET-LAV, DUAL CONTROL
 148886-01-CHT
 GASKET
 91253-01-000

PANEL-FAUCET
 78498-01-CHT
 SCREW
 G11-08-12B (4)
 COVER
 78500-01-CHT (4)

FAUCET
 149164-01-CHT
 BACKING-FAUCET
 137079-02-CHT

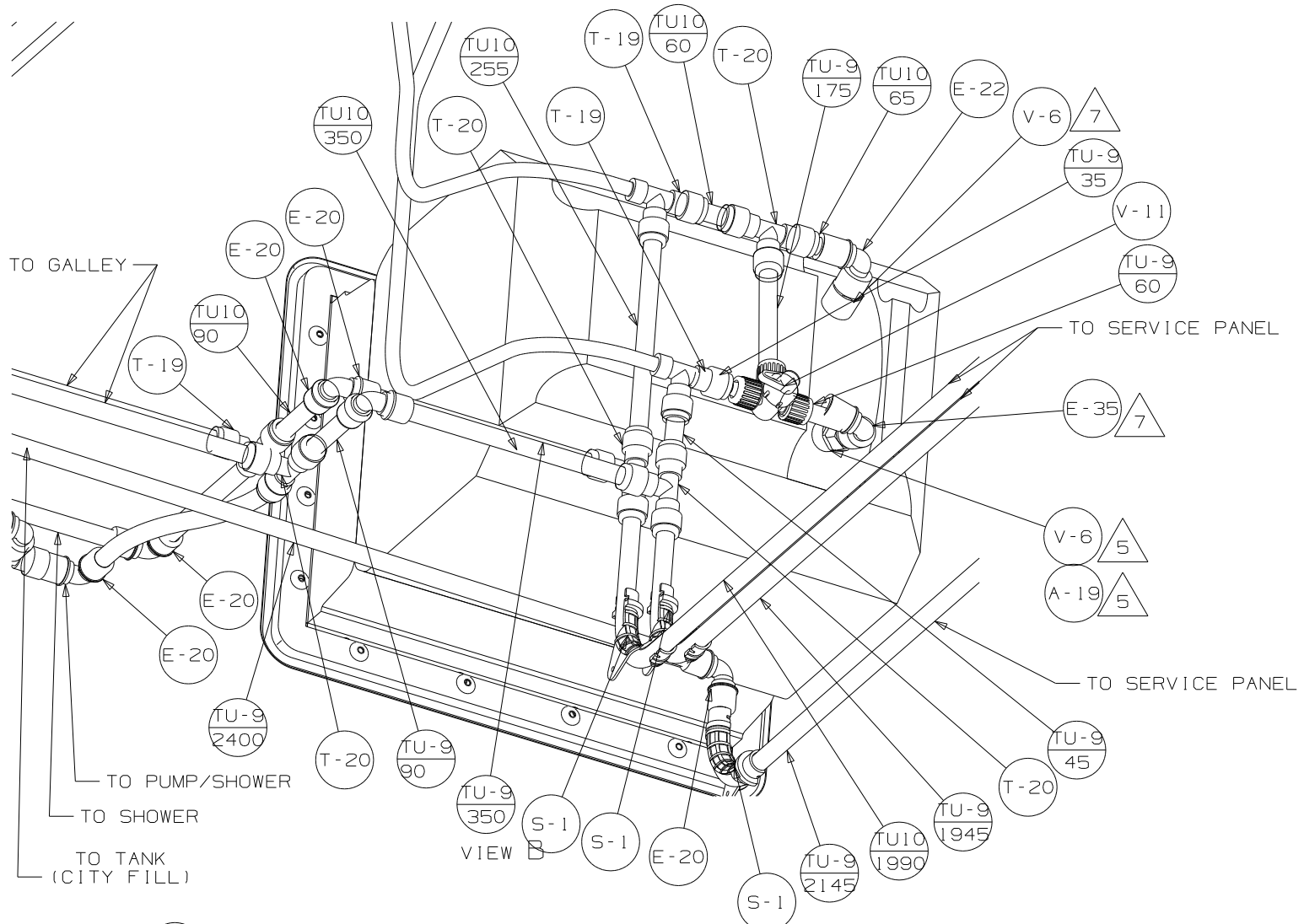
53F WATER HEATER
 51391-03-000
 53Z DOOR
 145541-02-000
 52009-06-000
 SCREW
 G55-08-26B (2)
 AL EXTR
 151293-51-004 (2)
 151293-51-003 (2)
 SCREW
 G39-10-169 (18)
 SEALANT
 FLANGE
 152239-01-CHT
 CABLE
 76767-03-000
 SCREW
 G11-06-08B(2)

TO TANK
 (CITY FILL)

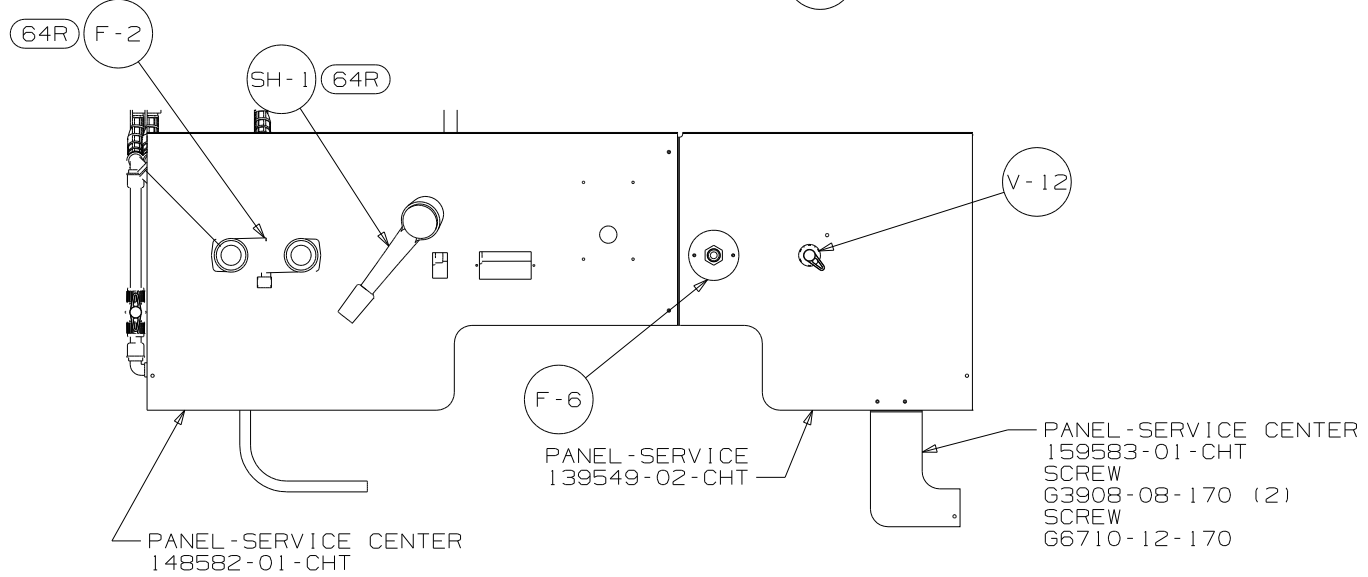
TO PUMP

VIEW A

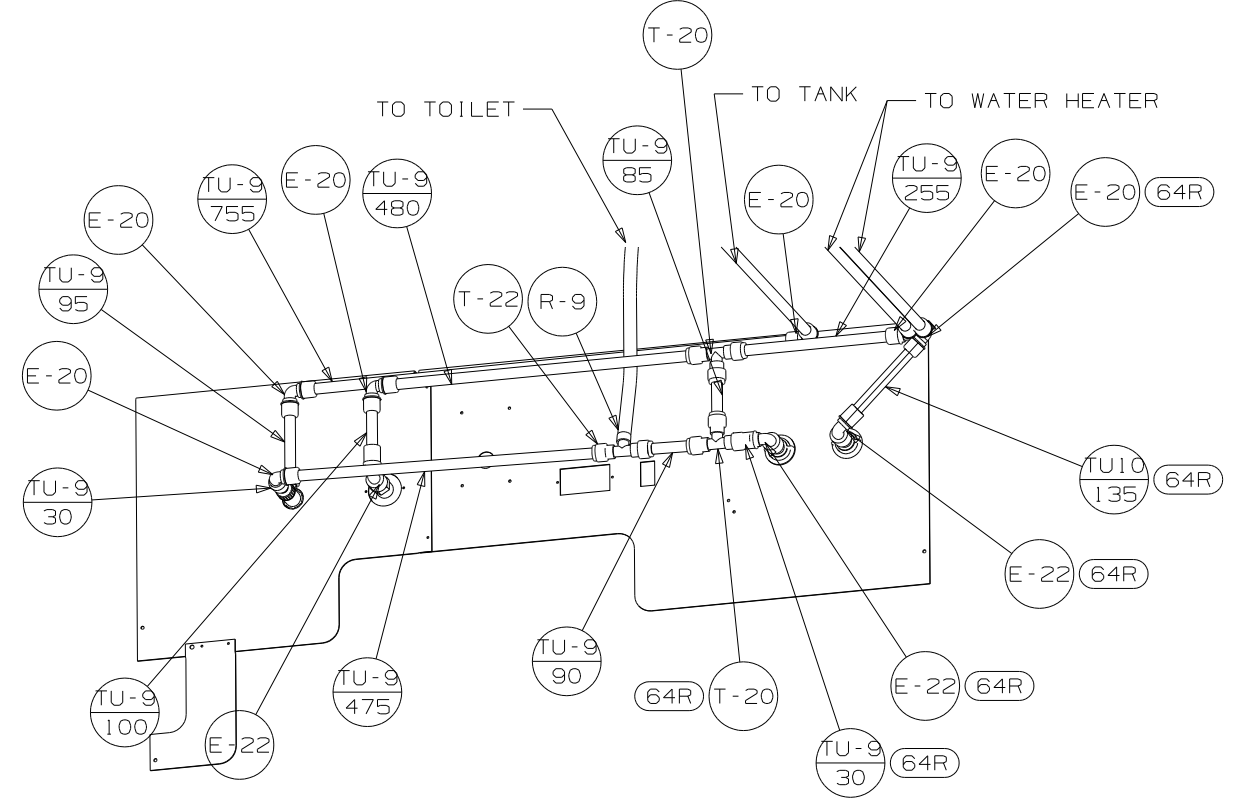
FIRST USED	06 D34A		
DO NOT SCALE DRAWING			
TITLE	WATER SYSTEM INSTL		
SHEET 2	PART NO	154217	REV



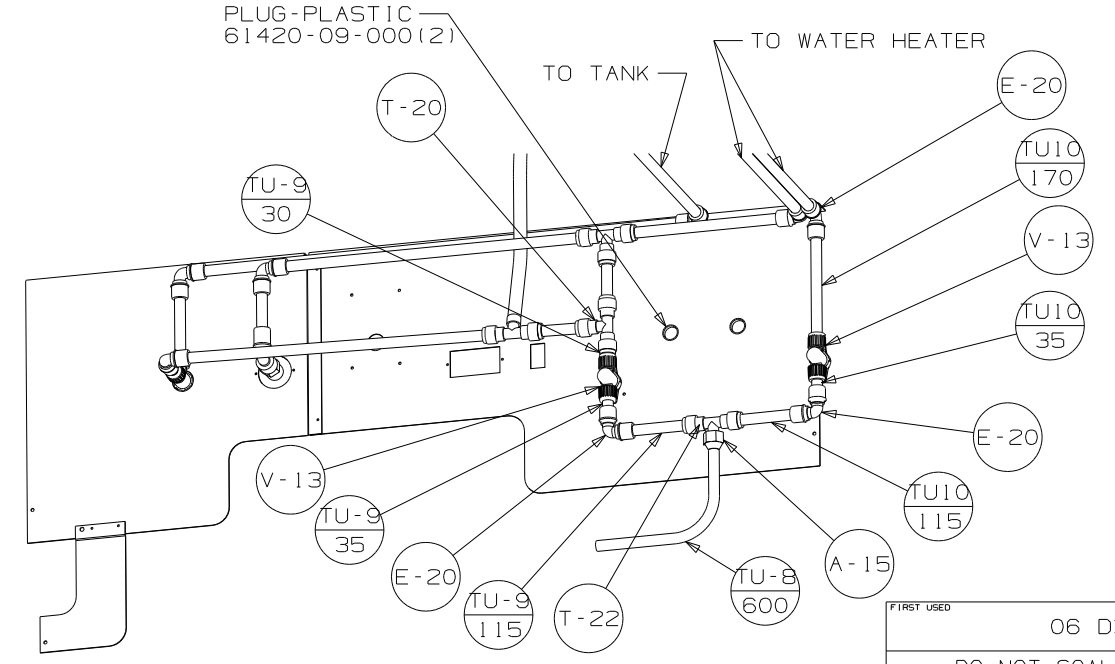
VIEW B



VIEW C

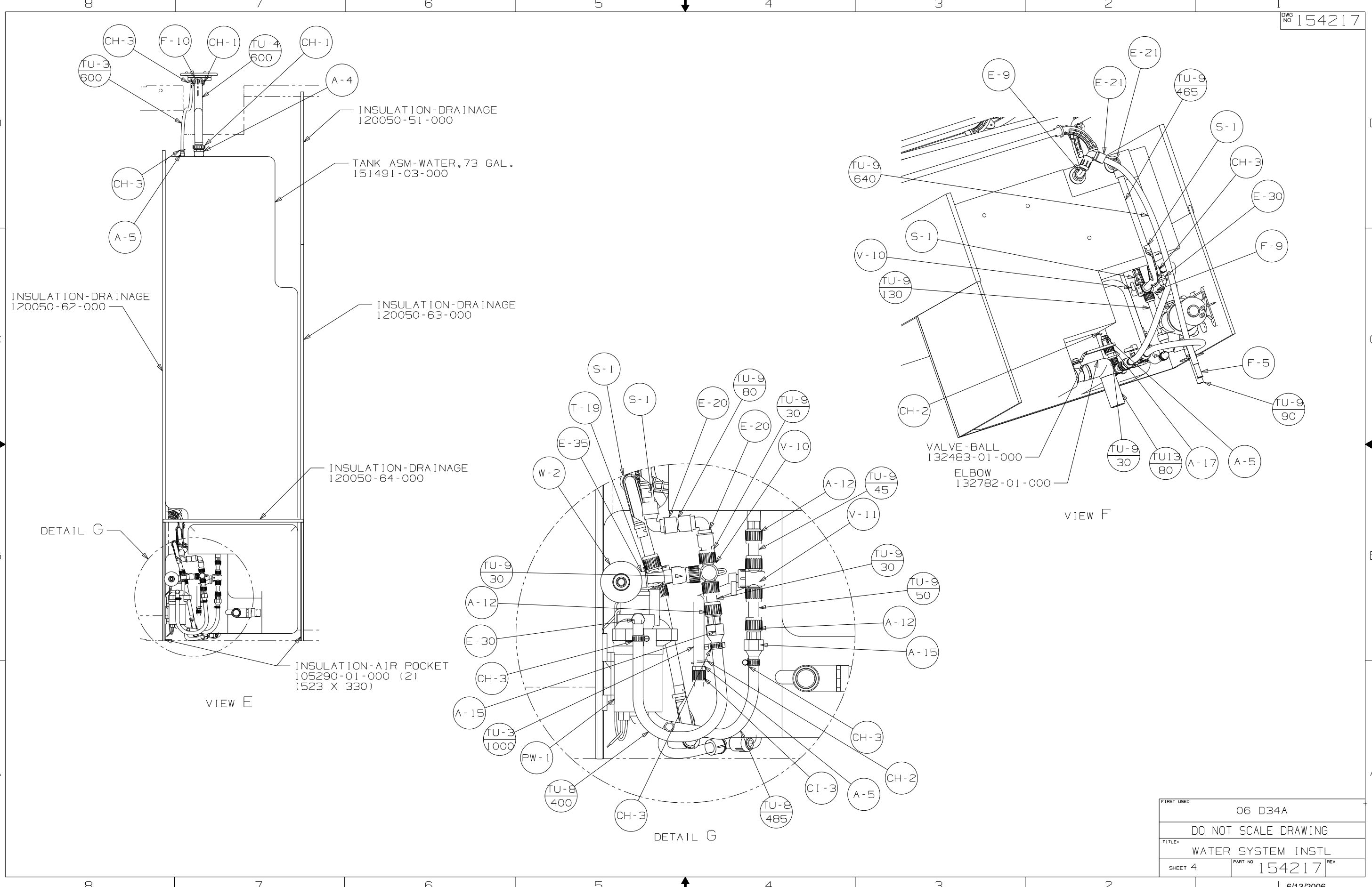


VIEW D



VIEW E

FIRST USED	06 D34A
DO NOT SCALE DRAWING	
TITLE: WATER SYSTEM INSTL	
SHEET 3	PART NO 154217 REV



FIRST USED	06 D34A		
TITLE	DO NOT SCALE DRAWING		
TITLE	WATER SYSTEM INSTL		
SHEET 4	PART NO	154217	REV