



DANGER

Danger of electrical shock, burns or death. Always remove all power sources before attempting any repair, service or diagnostic work. Power can be present from shore power, generator, inverter or battery. All power sources must be disabled and secured before performing any service.

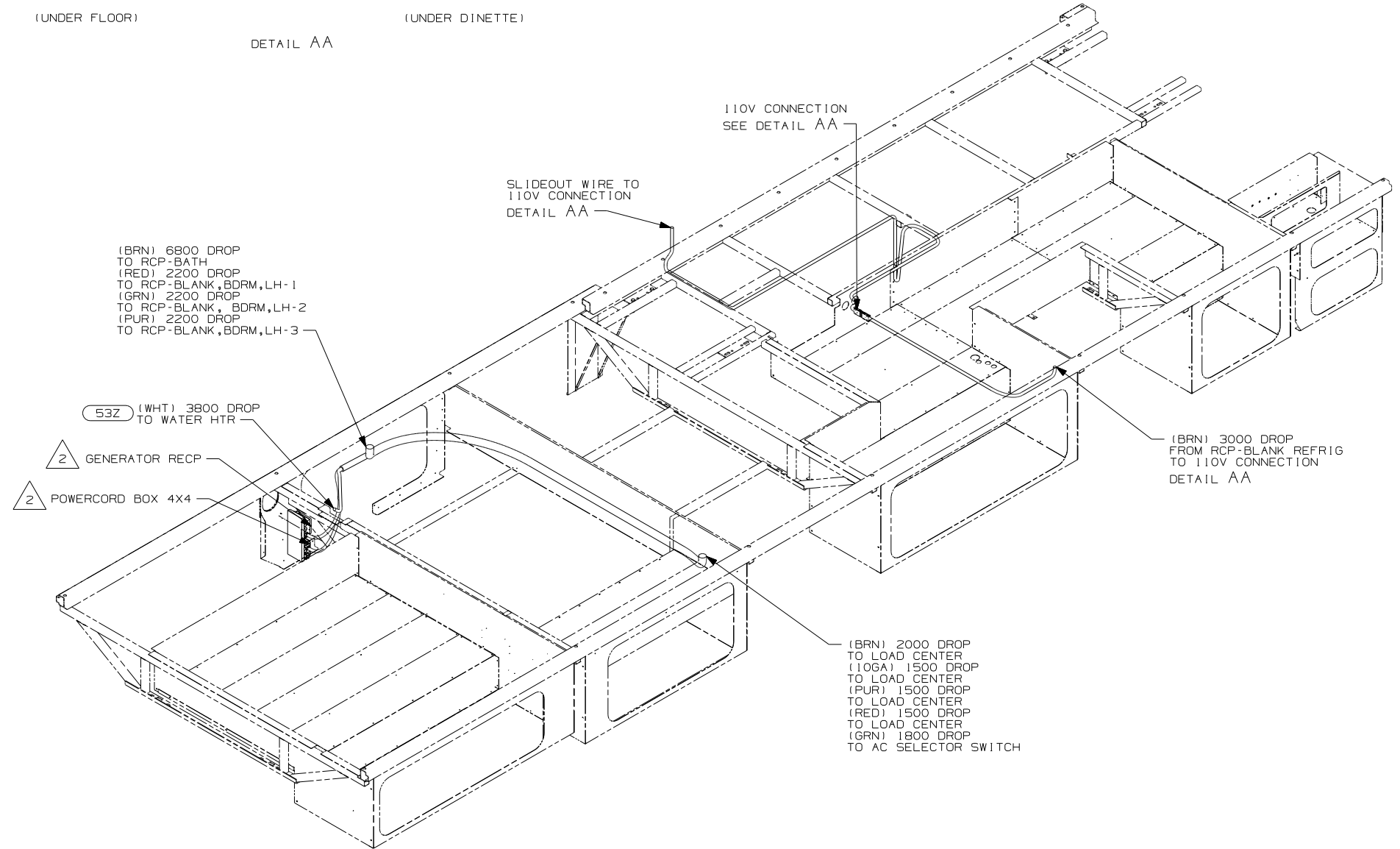
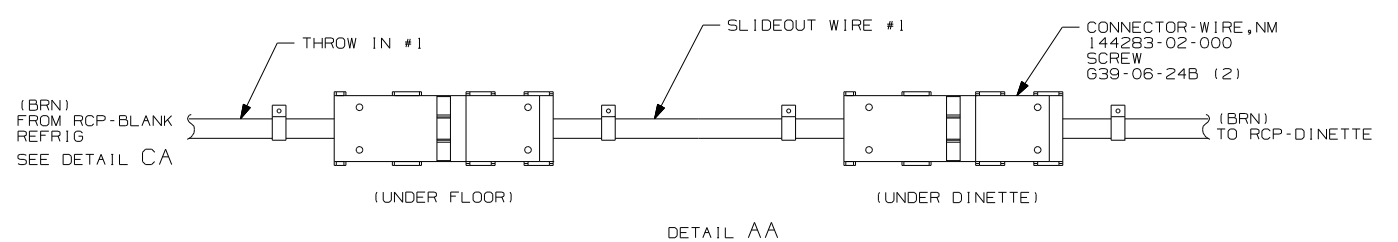


CAUTION

If you lack the skills, tools or equipment to perform diagnostic or repair work leave such work to an authorized Winnebago Industries dealer or other qualified shop.

DWG NO	FEATURE
155737-11	1B1 12D
155737-15	265 12D

RELEASE	REV DATE	DWG NO
A		155737
REV ZONE	REVISION RECORD	DATE DFR-ORIG



(BRN) 6800 DROP TO RCP-BATH
 (RED) 2200 DROP TO RCP-BLANK, BDRM, LH-1
 (GRN) 2200 DROP TO RCP-BLANK, BDRM, LH-2
 (PUR) 2200 DROP TO RCP-BLANK, BDRM, LH-3

53Z (WHT) 3800 DROP TO WATER HTR
 2 GENERATOR RECP
 2 POWERCORD BOX 4X4

(BRN) 2000 DROP TO LOAD CENTER (10GA)
 1500 DROP TO LOAD CENTER (PUR)
 1500 DROP TO LOAD CENTER (RED)
 1500 DROP TO LOAD CENTER (GRN)
 1800 DROP TO AC SELECTOR SWITCH

- 53Z WTR HTR-6GAL/110/LP/MTR/AUTO
- 12D ELECTRICAL SYSTEM 30 AMP
- 265 CODES/STANDARDS-CSA/CMVSS
- 1B1 CODES/STANDARDS USA

1B1 265

WINNEBAGO COPYRIGHT 2004 WINNEBAGO INDUSTRIES, INC.

DFTR	ORIG. DATE
CHKR	ALL DIMENSIONS ARE IN MILLIMETERS
P.E.	
M.E.	FIRST USED
DSNR	06 D33T

UNSPECIFIED TOLERANCES ARE: MATERIAL:

WHOLE DIM (X) :
 ONE-PLACE (X.X) :
 TWO-PLACE (X.XX) :
 ANGLE :

THIRD ANGLE PROJECTION

DO NOT SCALE DRAWING

TITLE: WIRING INSTL-BODY, 110V

SHEET 1 of 3 PART NO 155737

REF: 1 5/9/2005

3. ALL WIRES TO BE SECURED WITH CLAMP 10495 OR 10497 OR WIRE TIE 8343 OR 108046 EVERY 600MM, USE SCREW G67-XX-XXX OR G56-XX-XXX AS APPROPRIATE FOR INTALLATION.

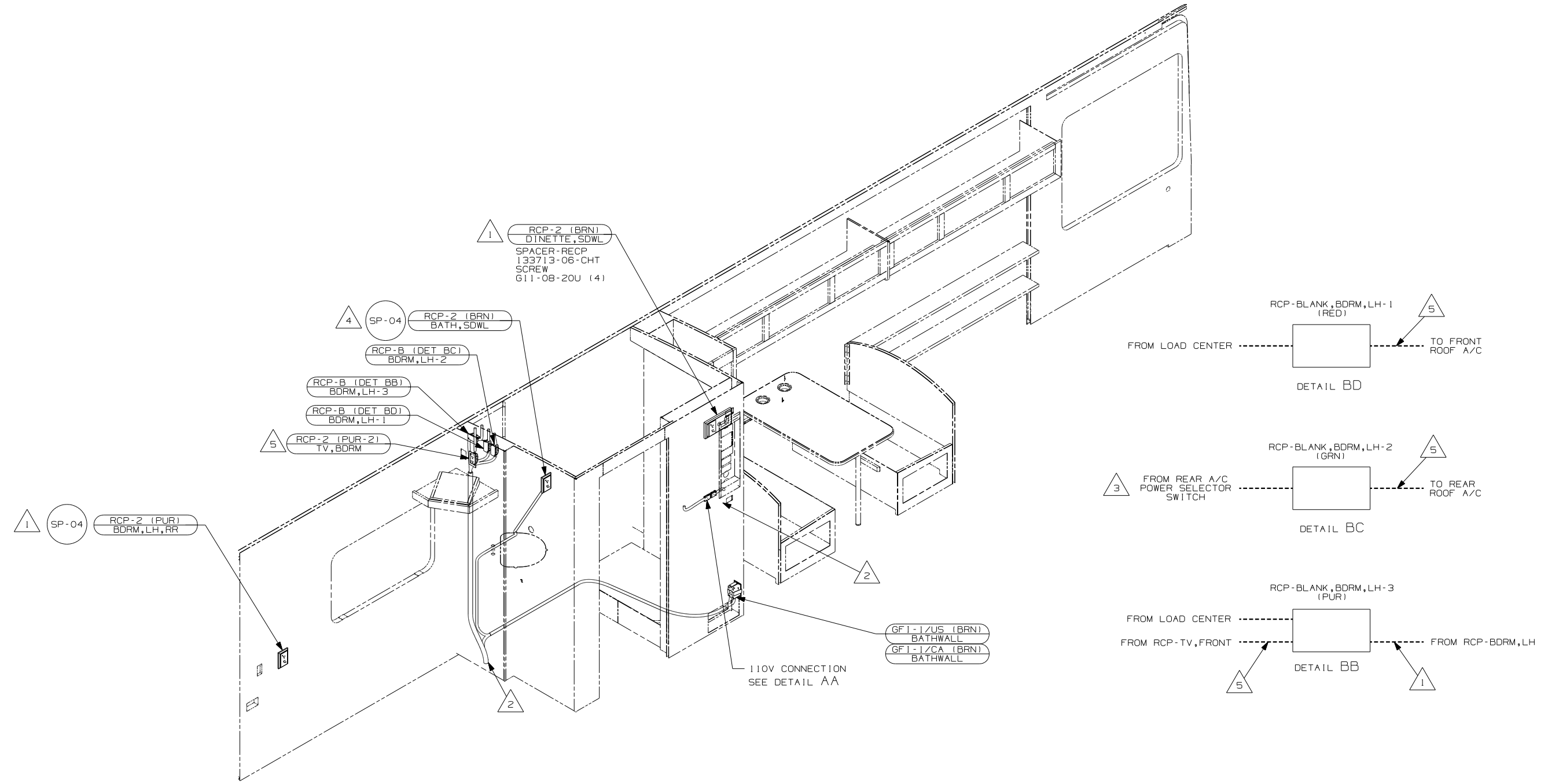
2 SEE LOAD CENTER/ATS ASM FOR ADDITIONAL INFORMATION.

1. WIRES ROUTED UNDER FLOOR

NOTES:

FOR ELECTRICAL TORQUE SPECIFICATIONS SEE DWG NO. 128783-01-000

FOR ELECTRICAL CALLOUTS SEE DWG NO. 121339-01-000



6. ALL WIRES TO BE SECURED WITH CLAMP 10495 OR 10497 OR WIRE TIE 8343 OR 108046 EVERY 600MM, USE SCREW G67-XX-XXX OR G56-XX-XXX AS APPROPRIATE FOR INTALLATION.

- 5 WIRE ROUTED IN ROOF.
- 4 ROUTE WIRE THRU SIDEWALL.
- 3 SEE LOAD CENTER/ATS ASM FOR ADDITIONAL INFORMATION.
- 2 WIRE ROUTES THRU FLOOR IN THIS AREA.
- 1 WIRE ROUTED IN SIDEWALL

NOTES:

265 CODES/STANDARDS-CSA/CMVSS

1B1 CODES/STANDARDS USA

1B1 265

FIRST USED 06 D33T

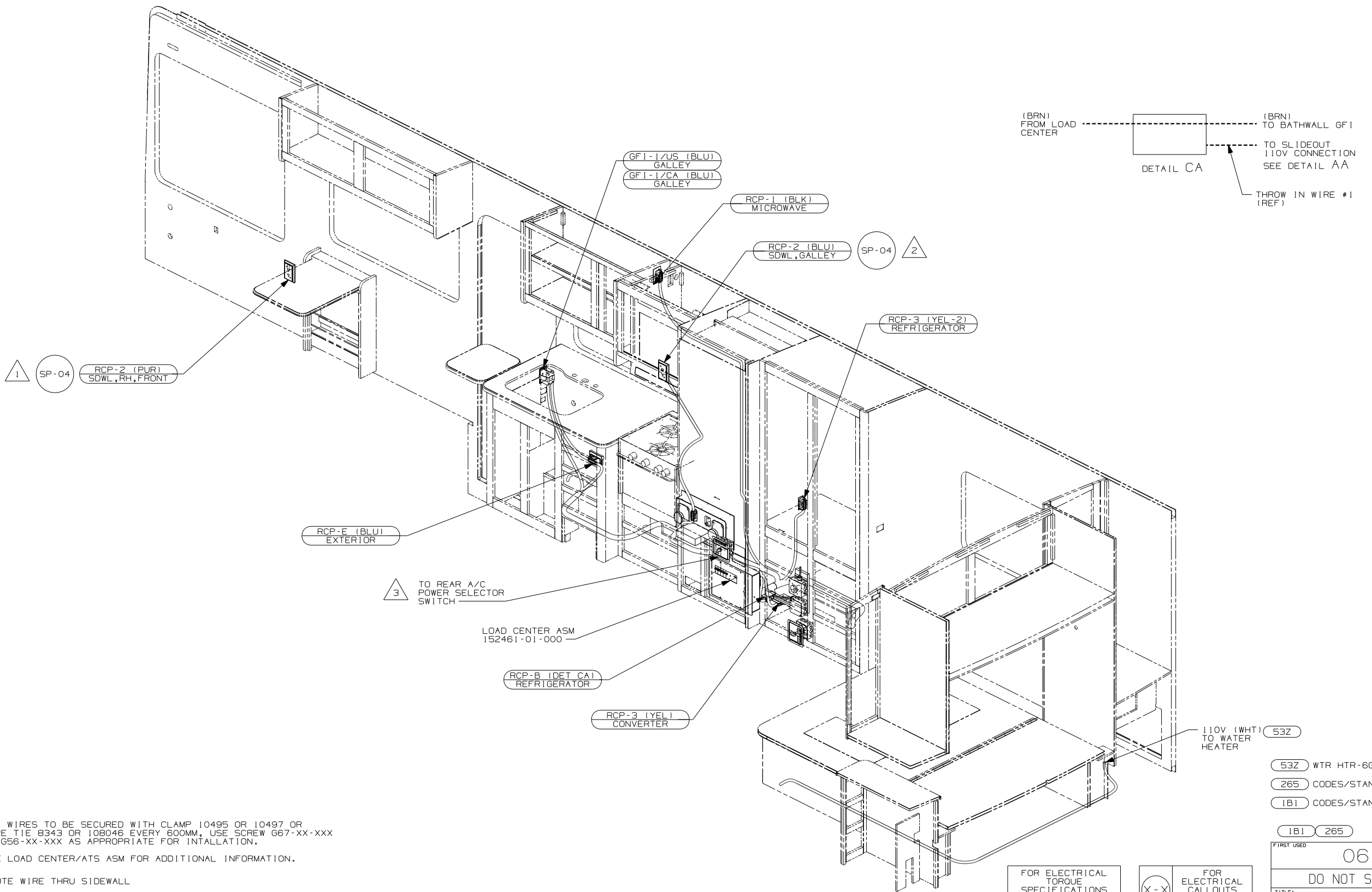
DO NOT SCALE DRAWING

TITLE: WIRING INSTL-BODY, 110V

SHEET 2 PART NO 155737

FOR ELECTRICAL TORQUE SPECIFICATIONS SEE DWG NO. 128783-01-000

(X-X) FOR ELECTRICAL CALLOUTS SEE DWG NO. 121339-01-000



4. ALL WIRES TO BE SECURED WITH CLAMP 10495 OR 10497 OR WIRE TIE 8343 OR 108046 EVERY 600MM, USE SCREW G67-XX-XXX OR G56-XX-XXX AS APPROPRIATE FOR INTALLATION.

- 3 SEE LOAD CENTER/ATS ASM FOR ADDITIONAL INFORMATION.
- 2 ROUTE WIRE THRU SIDEWALL
- 1 WIRE ROUTED IN SIDEWALL

NOTES:

- 53Z WTR HTR-66GAL/110/LP/MTR/AUTO
- 265 CODES/STANDARDS-CSA/CMVSS
- 1B1 CODES/STANDARDS USA

FIRST USED	
06 D33T	
DO NOT SCALE DRAWING	
TITLE: WIRING INSTL-BODY, 110V	
SHEET 3	PART NO 155737

FOR ELECTRICAL TORQUE SPECIFICATIONS SEE DWG NO. 128783-01-000

FOR ELECTRICAL CALLOUTS SEE DWG NO. 121339-01-000