

FRONT  
OF  
COACH

(265) CODES/STDS-CSA/CMVSS  
(1B1) CODES/STANDARDS-USA

- 8 TRIM P-TRAP EXTENSION TO FIT.
- 7 VALVE TERMINATION TEE TO BE POSITIONED AT 10° DOWN AND OUTBOARD.
- 6. SEAL AROUND SHOWER WITH SILICONE.
- 5. ALL EXTERIOR OPENINGS AROUND PIPE TO BE SEALED WITH 110744-01-000.
- 4. ALL PIPE AND FITTING TO BE ASSEMBLED WITH SOLVENT 4020-01-000 (US) 4020-02-000 (CAN)
- 3. SLOPE OF TRAP ARM MUST BE 6 PER 305 mm.
- 2. SLOPE OF HORIZONTAL PIPING TO BE 6 PER 305 mm.
- 1 VENT PIPE MUST PROJECT 51 MIN AND 64 MAX ABOVE ROOF FOR PROPER FIT.

NOTES:

<b>WINNEBAGO</b>		COPYRIGHT 2006 WINNEBAGO INDUSTRIES, INC.	
D/FR	ORIG. DATE	ALL DIMENSIONS ARE IN MILLIMETERS	
CHKR		FIRST USED	
P.E.		06 D33T	
M.E.		UNSPECIFIED TOLERANCES ARE:	
DSNR		MATERIAL:	
		WHOLE DIM (X) :	3
		ONE-PLACE (X.X) :	
		TWO-PLACE (X.XX) :	
		ANGLE :	
		THIRD ANGLE PROJECTION	
DO NOT SCALE DRAWING			
TITLE: DRAINAGE SYSTEM INSTL			
SHEET 1 OF 3	PART NO	156022	REV

(X-X)  
FOR  
DRAINAGE  
CALLOUTS  
SEE DWG NO  
116229-01-000

SINK - SMC, DBL  
148870-02-CHT (US/CAN)  
STRAINER  
92303-01-000 (2)  
ANGLE  
140002-01-CHT (10)  
SCREW  
G67-01-08B (8)

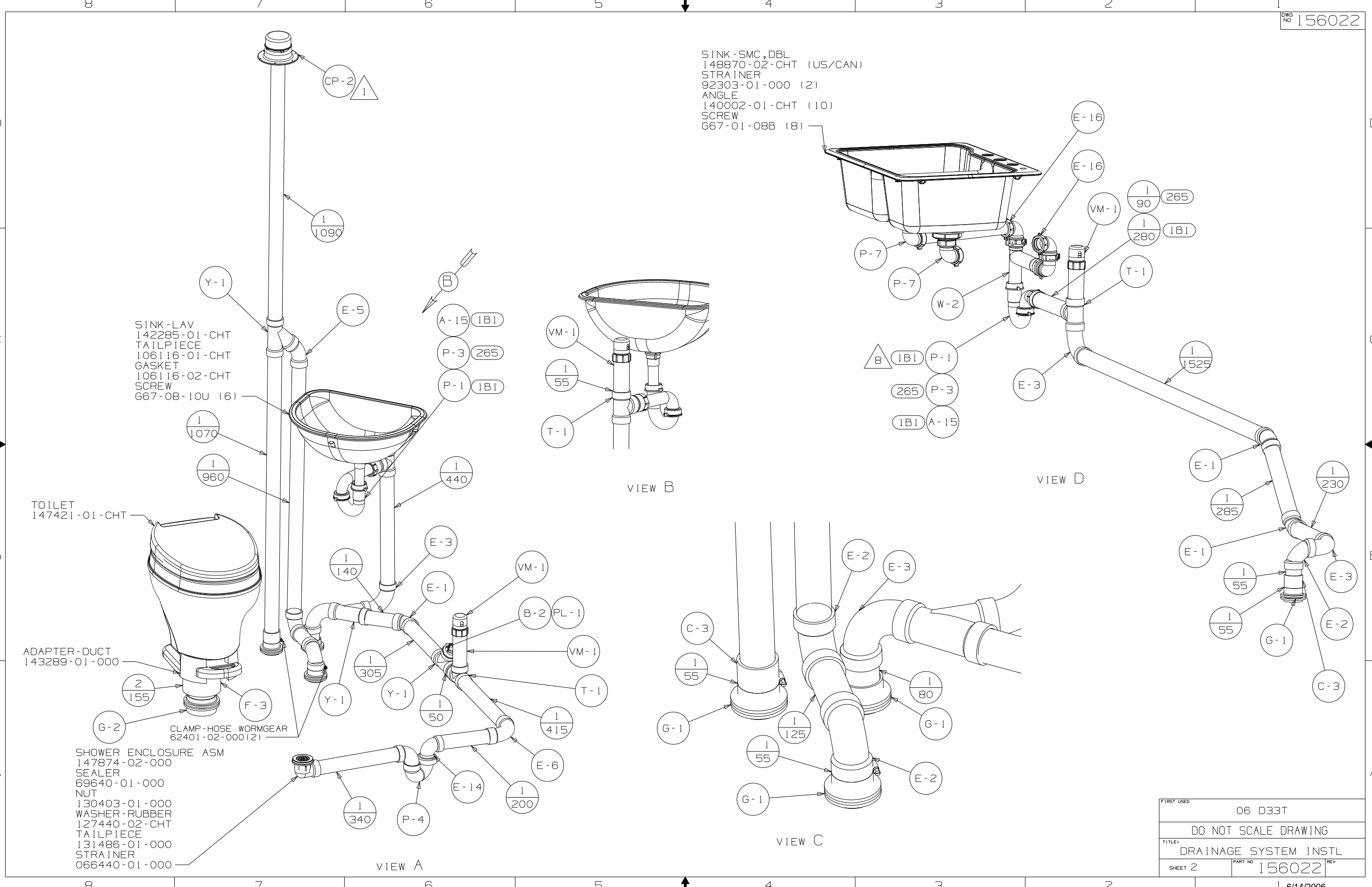
SINK - LAV  
142285-01-CHT  
TAILPIECE  
106116-01-CHT  
GASKET  
106116-02-CHT  
SCREW  
G67-08-10U (6)

TOILET  
147421-01-CHT

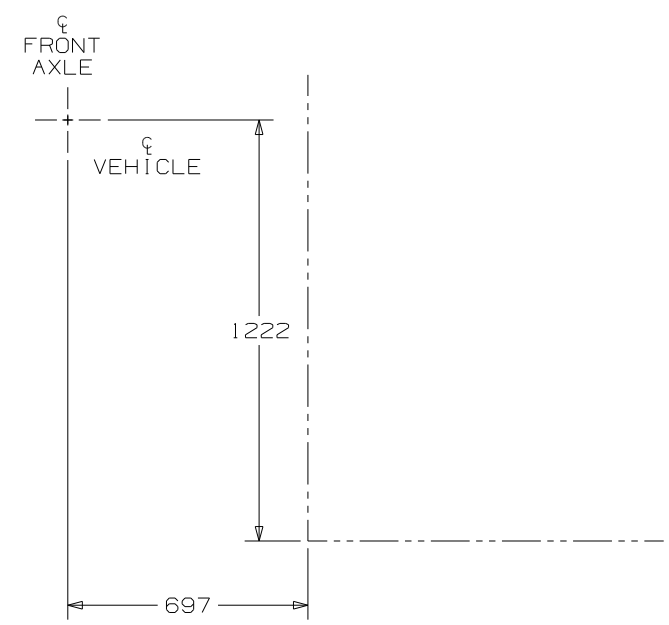
ADAPTER-DUCT  
143289-01-000

SHOWER ENCLOSURE ASM  
147874-02-000  
SEALER  
69640-01-000  
NUT  
130403-01-000  
WASHER-RUBBER  
127440-02-CHT  
TAILPIECE  
131486-01-000  
STRAINER  
066440-01-000

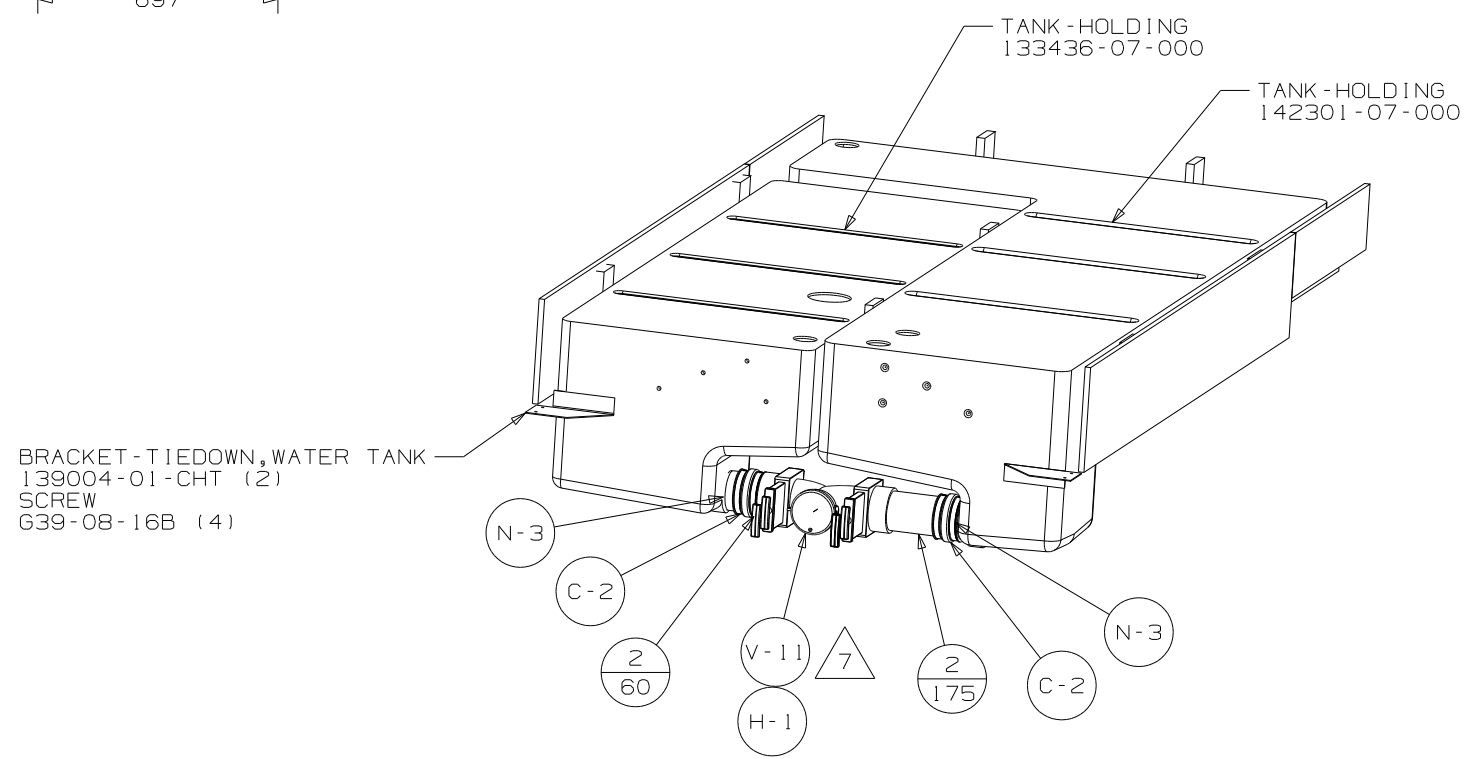
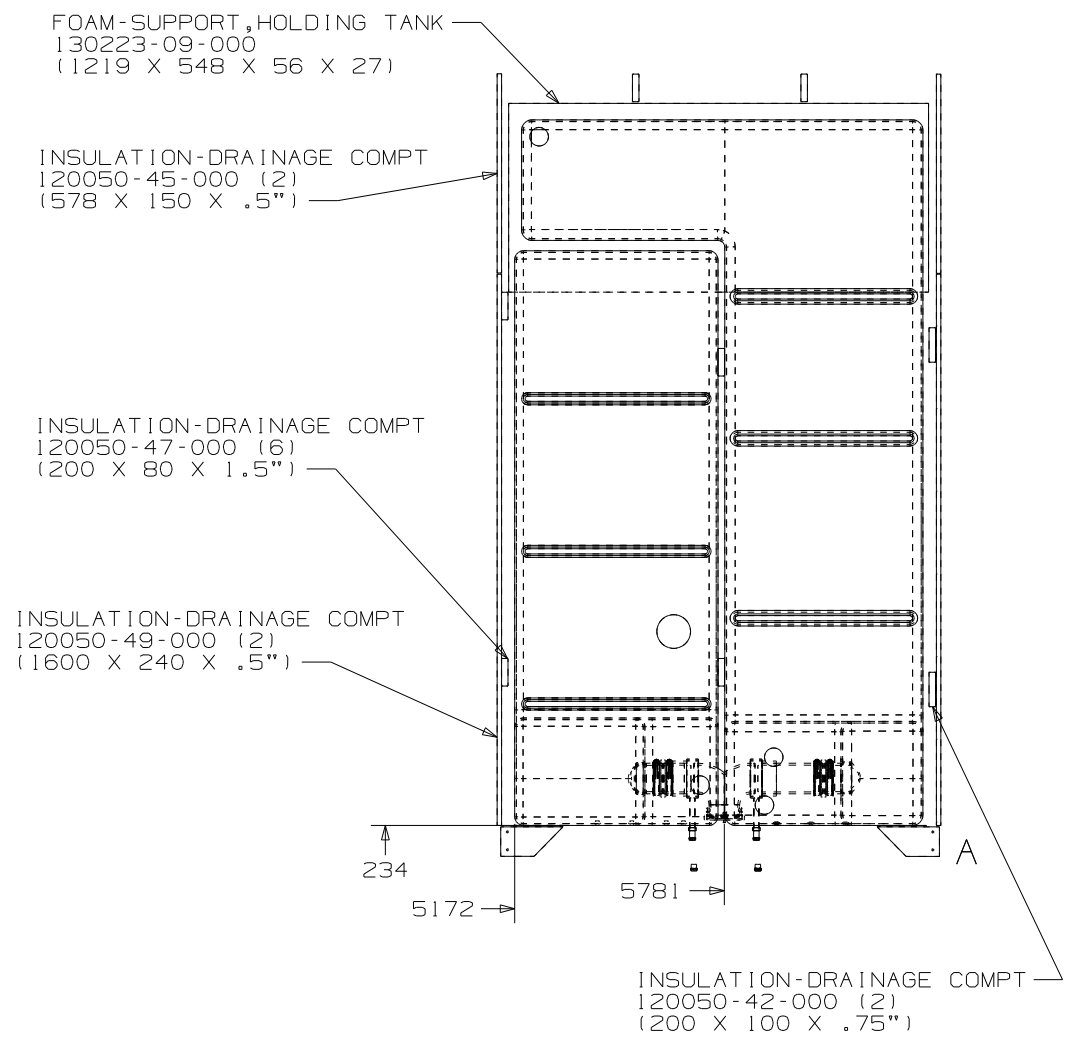
CLAMP-HOSE WORMGEAR  
62401-02-000 (2)



FIRST USED	06 D33T	
TITLE	DO NOT SCALE DRAWING	
	DRAINAGE SYSTEM INSTL	
SHEET 2	PART NO	REV
	156022	



VIEW E



VIEW F

FIRST USED	06 D33T		
TITLE	DO NOT SCALE DRAWING		
	DRAINAGE SYSTEM INSTL		
SHEET 3	PART NO	156022	REV

8

7

6

5

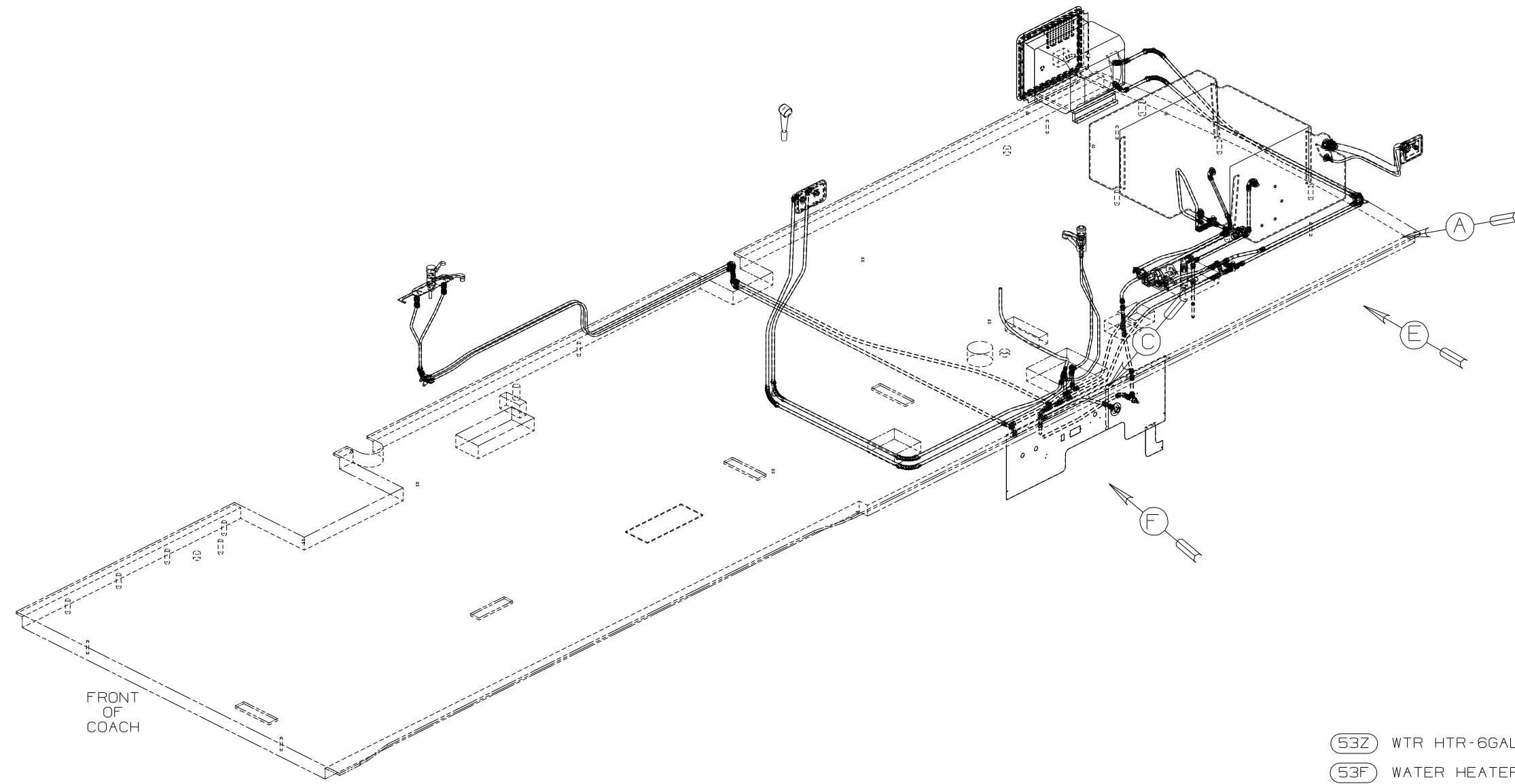
4

3

2

1

RELEASE	REV DATE A	DWG NO 156021
REV ZONE	REVISION RECORD	DATE DFR-0R16



- 10 ADD PIPE WRAP (LADDER SCRAP) INSULATION HERE.
- 9 ADD TEFLON TAPE 10405-03-000.
- 8 LABEL HOT AND COLD SUPPLY TUBES.
- 7 TAPE FITTING TO TUBE BEFORE CABINET SET TO PREVENT FITTING FROM MOVING.
- 6 ADD TEFLON TAPE 10405-01-000.
- 5 ADD TEFLON TAPE 10405-02-000.
- 4 FLUSHING SYSTEM REQUIRES 125697-06-000 INSTRUCTION SHEET.

- 3. ALL TUBING TO BE SECURED AT 1200 INTERVALS MAXIMUM WITH CLAMP 10495-01-000 OR CLIP 9151-01-000 AND SCREW 667-10-12B.
- 2. TUBING TO BE INSTALLED WITH SUFFICIENT SLOPE TO PROVIDE DRAINAGE TO NEAREST VALVE.
- 1. PLASTIC FITTINGS TO BE SEALED WITH SEALANT 84456-01-000.

NOTES:

- 53Z WTR HTR-6GAL/110/LP/MTR/AUTO
- 53F WATER HEATER-ELEC.IGNITION
- 64R EXTERIOR WASH STATION
- 1J4 EXT WASH STATION-WITHOUT

<b>WINNEBAGO</b>		COPYRIGHT 2006 WINNEBAGO INDUSTRIES, INC.	
DFTR	ORIG. DATE	ALL DIMENSIONS ARE IN MILLIMETERS	
CHKR		FIRST USED	
P.E.		06 D33T	
M.E.		UNSPECIFIED TOLERANCES ARE:	
DSNR		MATERIAL:	
		WHOLE DIM (X)	: 3
		ONE-PLACE (X.X)	:
		TWO-PLACE (X.XX)	:
		ANGLE	:
THIRD ANGLE PROJECTION		DO NOT SCALE DRAWING	
TITLE: WATER SYSTEM INSTL			
SHEET 1 OF 3	PART NO	156021	REV
REF:	1 6/14/2006		

(X-X)  
FOR  
WATER  
CALLOUTS  
SEE DWG NO  
116230-01-000

8

7

6

5

4

3

2

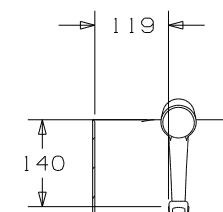
1

FAUCET  
149164-01-CHT  
BACKING-FAUCET  
137079-02-CHT

PANEL-SHOWER  
78498-01-CHT

FAUCET  
148886-01-CHT

- (53F) WATER HEATER-6 GAL  
51391-03-000
- (53Z) 145541-02-000  
DOOR  
52009-06-000  
FLANGE-WATER HEATER  
152239-01-CHT  
PLATFORM ASM-WATER HEATER  
155334-01-000  
SCREW  
G39-10-48B (2)  
AL EXTR  
151293-51-004 (2)  
151293-51-003 (2)  
SCREW  
G39-10-169 (18)  
CABLE  
76767-03-000  
SCREW  
G11-06-08B (2)  
SEALANT



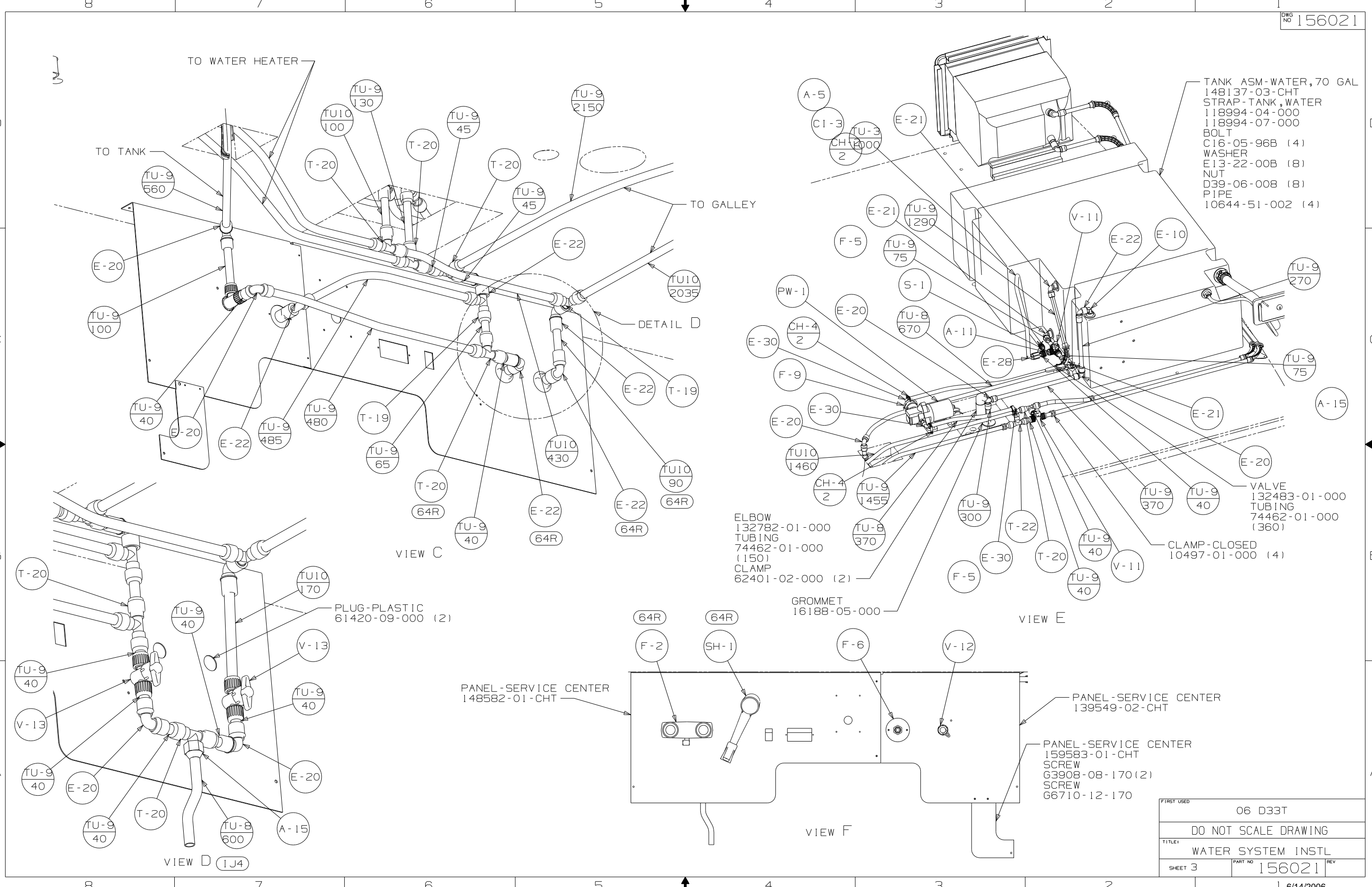
SHOWER SURROUND

SHOWERHEAD BRACKET (REF)

VIEW B

VIEW A

FIRST USED	06 D33T		
TITLE	DO NOT SCALE DRAWING		
TITLE	WATER SYSTEM INSTL		
SHEET 2	PART NO	156021	REV



FIRST USED	06 D33T
TITLE	DO NOT SCALE DRAWING
TITLE	WATER SYSTEM INSTL
SHEET 3	PART NO 156021 REV