

- 8 TRIM P-TRAP EXTENSION TO FIT.
- 7 VALVE TERMINATION TEE TO BE POSITIONED AT 10° DOWN AND OUTBOARD.
- 6. SEAL AROUND SHOWER WITH SILICONE.
- 5. ALL EXTERIOR OPENINGS AROUND PIPE TO BE SEALED WITH 110744-01-000.
- 4. ALL PIPE AND FITTING TO BE ASSEMBLED WITH SOLVENT 4020-01-000 (US), 4020-02-000 (CAN).
- 3. SLOPE OF TRAP ARM MUST BE 6 PER 305 mm.
- 2. SLOPE OF HORIZONTAL PIPING TO BE 6 PER 305 mm.
- 1 VENT PIPE MUST PROJECT 51 MIN AND 64 MAX ABOVE ROOF FOR PROPER FIT.

NOTES:

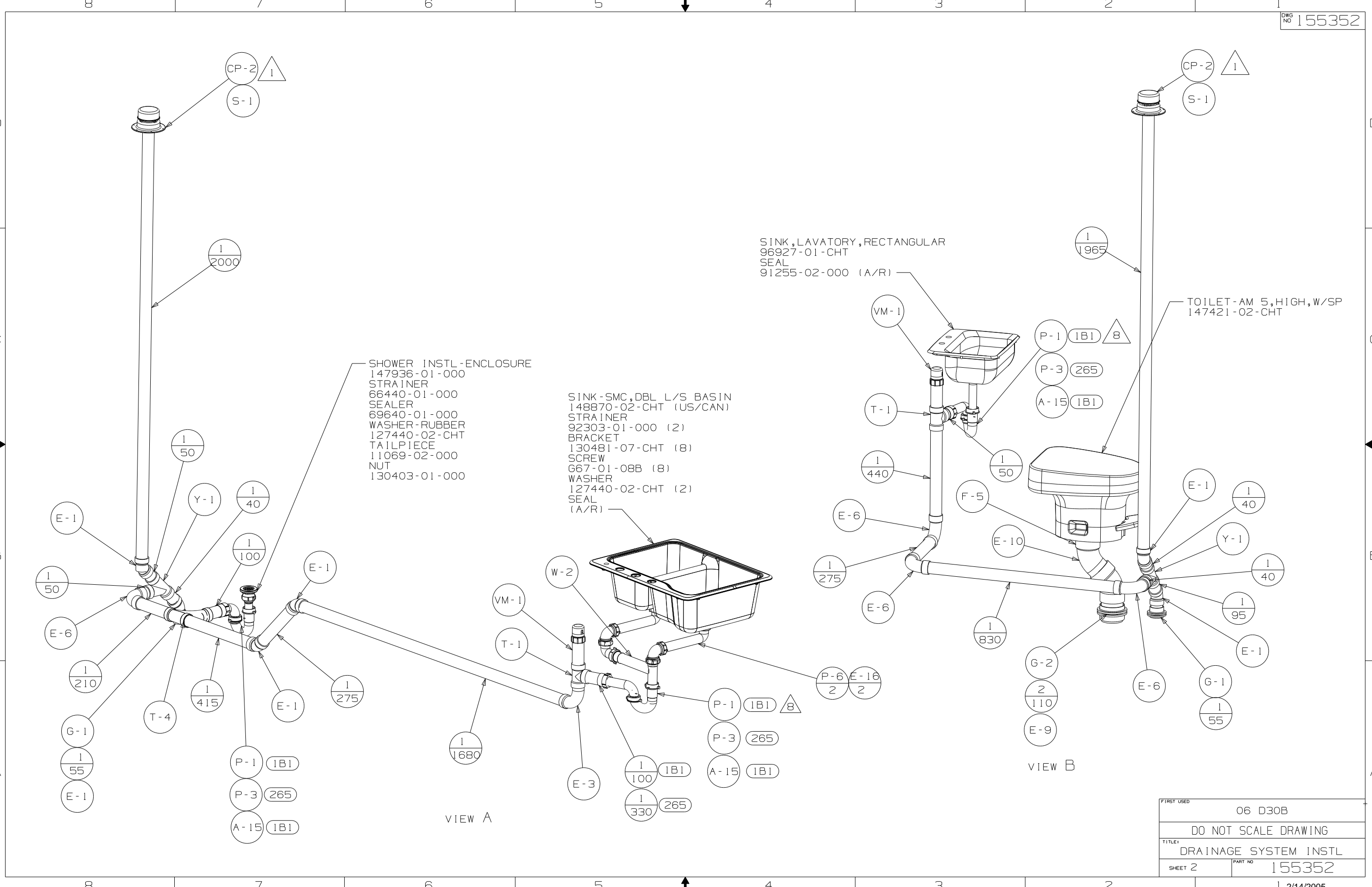
FRONT OF COACH

(265) CODES/STDS-CSA/CMVSS
 (1B1) CODES/STANDARDS-USA

WINNEBAGO		COPYRIGHT 2005 WINNEBAGO INDUSTRIES, INC.	
DFT-ORIG	ORIG. DATE	ALL DIMENSIONS ARE IN MILLIMETERS	
CHKR		FIRST USED	
P.E.		06 D30B	
M.E.		UNSPECIFIED TOLERANCES ARE:	
DSNR		MATERIAL:	
		WHOLE DIM (X)	: 3
		ONE-PLACE (X.X)	:
		TWO-PLACE (X.XX)	:
		ANGLE	:
		THIRD ANGLE PROJECTION	
DO NOT SCALE DRAWING			
TITLE: DRAINAGE SYSTEM INSTL			
SHEET 1 OF 3	PART NO	155352	
REF: 148755 2/14/2005			

FOR DRAINAGE CALLOUTS SEE DWG NO 116229-01-000

X-X



SINK, LAVATORY, RECTANGULAR
 96927-01-CHT
 SEAL
 91255-02-000 (A/R)

SHOWER INSTL-ENCLOSURE
 147936-01-000
 STRAINER
 66440-01-000
 SEALER
 69640-01-000
 WASHER-RUBBER
 127440-02-CHT
 TAILPIECE
 11069-02-000
 NUT
 130403-01-000

SINK-SMC, DBL L/S BASIN
 148870-02-CHT (US/CAN)
 STRAINER
 92303-01-000 (2)
 BRACKET
 130481-07-CHT (8)
 SCREW
 G67-01-08B (8)
 WASHER
 127440-02-CHT (2)
 SEAL
 (A/R)

TOILET-AM 5,HIGH,W/SP
 147421-02-CHT

VIEW A

VIEW B

FIRST USED	06 D30B
DO NOT SCALE DRAWING	
TITLE	DRAINAGE SYSTEM INSTL
SHEET 2	PART NO 155352

TANK -HOLDING
133436-04-000

BRACKET-TIE DOWN
139004-01-CHT (2)
SCREW
G39-08-16B (4)

N-3

C-2

2
60

7

V-11

H-1

2
175

C-2

N-3

TANK -HOLDING
142301-03-000

FOAM-SUPPORT,HOLDING TANK
130223-09-000
(1219 X 548 X 75 X 46)

INSULATION-DRAINAGE COMPT
120050-45-000 (2)
(578 X 150 X .5")

INSULATION-DRAINAGE COMPT
120050-47-000 (2)
(200 X 80 X 1.5")

INSULATION-DRAINAGE COMPT
120050-47-000 (2)
(200 X 80 X 1.5")

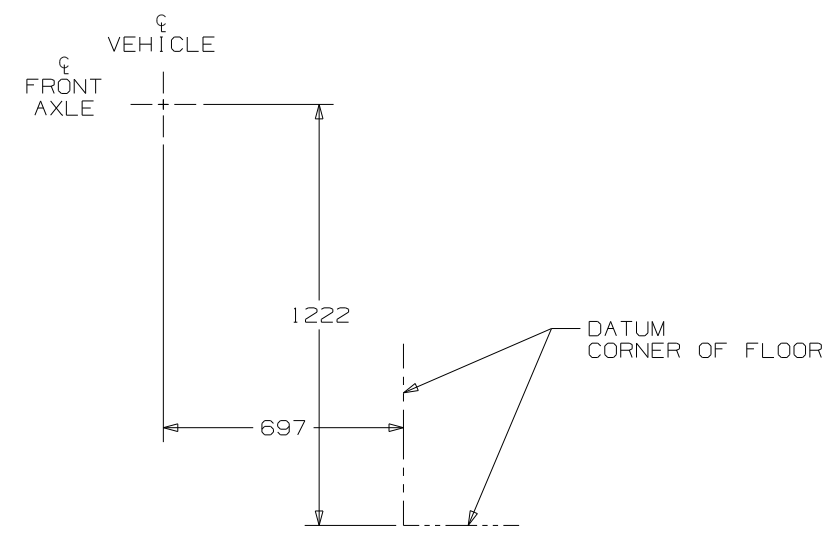
INSULATION-DRAINAGE COMPT
120050-49-000 (2)
(1600 X 240 X .5")

INSULATION-DRAINAGE COMPT
120050-47-000 (2)
(200 X 80 X 1.5")

INSULATION-DRAINAGE COMPT
120050-42-000 (2)
(200 X 100 X .75")

VIEW C

VIEW D

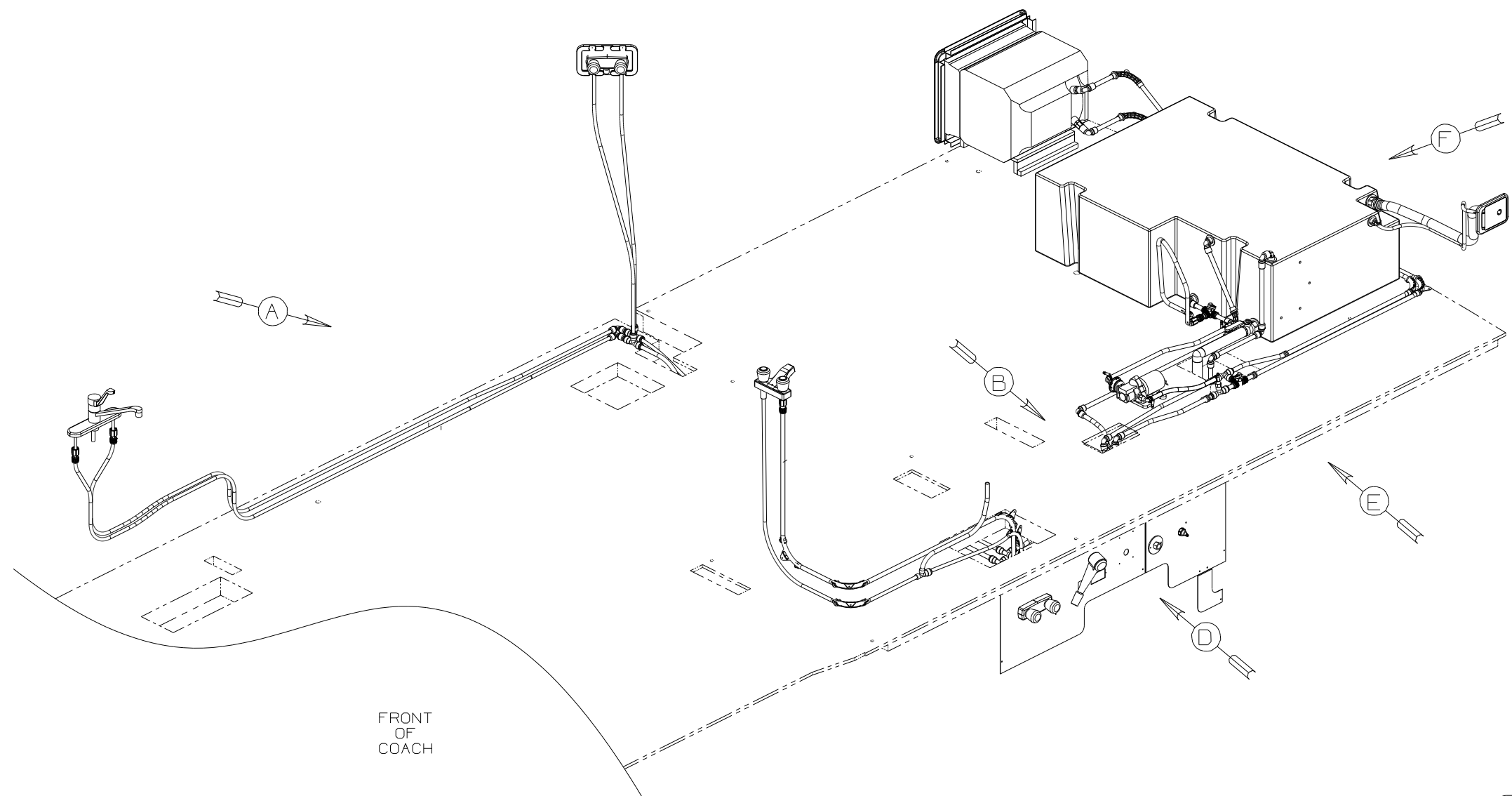


234

30

4715

FIRST USED	06 D30B
TITLE	DO NOT SCALE DRAWING DRAINAGE SYSTEM INSTL
SHEET 3	PART NO 155352



FRONT OF COACH

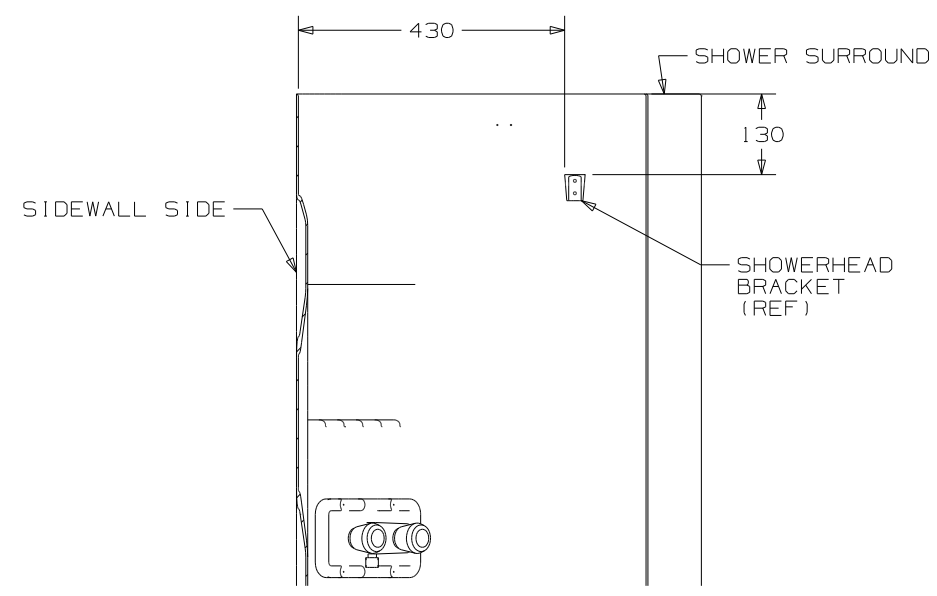
- 10. ADD PIPE WRAP (LADDER SCRAP 110157-02-000) INSULATION.
 - 9. LABEL HOT AND COLD SUPPLY TUBES.
 - 8. TAPE FITTING TO TUBE BEFORE CABINET SET TO PREVENT FITTING FROM MOVING.
 - 7. ADD TEFLON TAPE 10405-01-000.
 - 6. ADD TEFLON TAPE 10405-03-000.
 - 5. ADD TEFLON TAPE 10405-02-000.
 - 4. CLAMPS MUST BE ON BRASS.
3. ALL TUBING TO BE SECURED AT 1200 INTERVALS MAXIMUM WITH CLAMP 10495-01-000 AND SCREW G67-10-12B OR EQUIVALENT.
 2. TUBING TO BE INSTALLED WITH SUFFICIENT SLOPE TO PROVIDE DRAINAGE TO NEAREST VALVE.
 1. PLASTIC FITTINGS TO BE SEALED WITH SEALANT 84456-01-000.

- 64R EXTERIOR WASH STATION
- 1J4 EXTERIOR WASH STATION W/O
- 53Z WTR HTR-6GAL/110/LP/MTR/AUTO

WINNEBAGO		COPYRIGHT 2006 WINNEBAGO INDUSTRIES, INC.	
DFTR	ORIG. DATE	ALL DIMENSIONS ARE IN MILLIMETERS	
CHKR		FIRST USED	
P.E.		06 D30B	
M.E.		UNSPECIFIED TOLERANCES ARE:	
DSNR		MATERIAL:	
		WHOLE DIM (X) :	3
		ONE-PLACE (X.X) :	
		TWO-PLACE (X.XX) :	
		ANGLE :	
THIRD ANGLE PROJECTION		DO NOT SCALE DRAWING	
TITLE: WATER SYSTEM INSTL			
SHEET 1 OF 4	PART NO	153170	REV

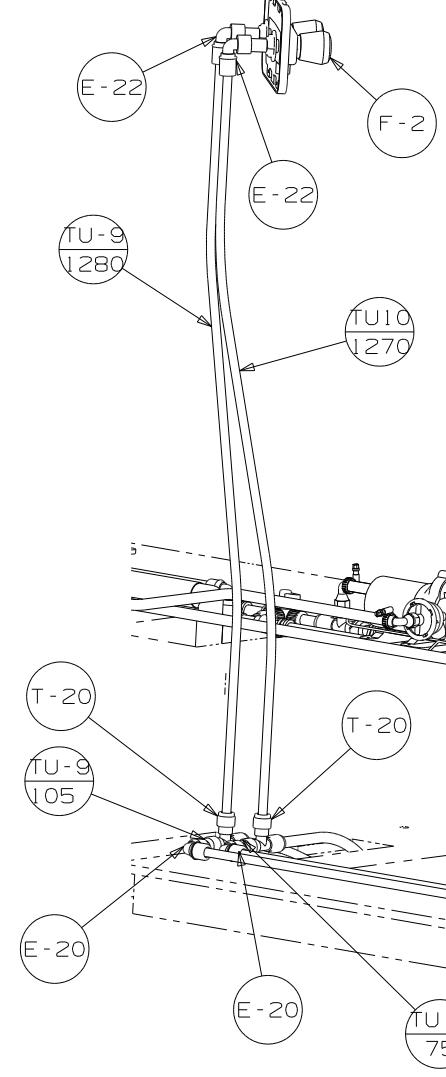
FOR WATER CALLOUTS SEE DWG NO 116230-01-000

NOTES:

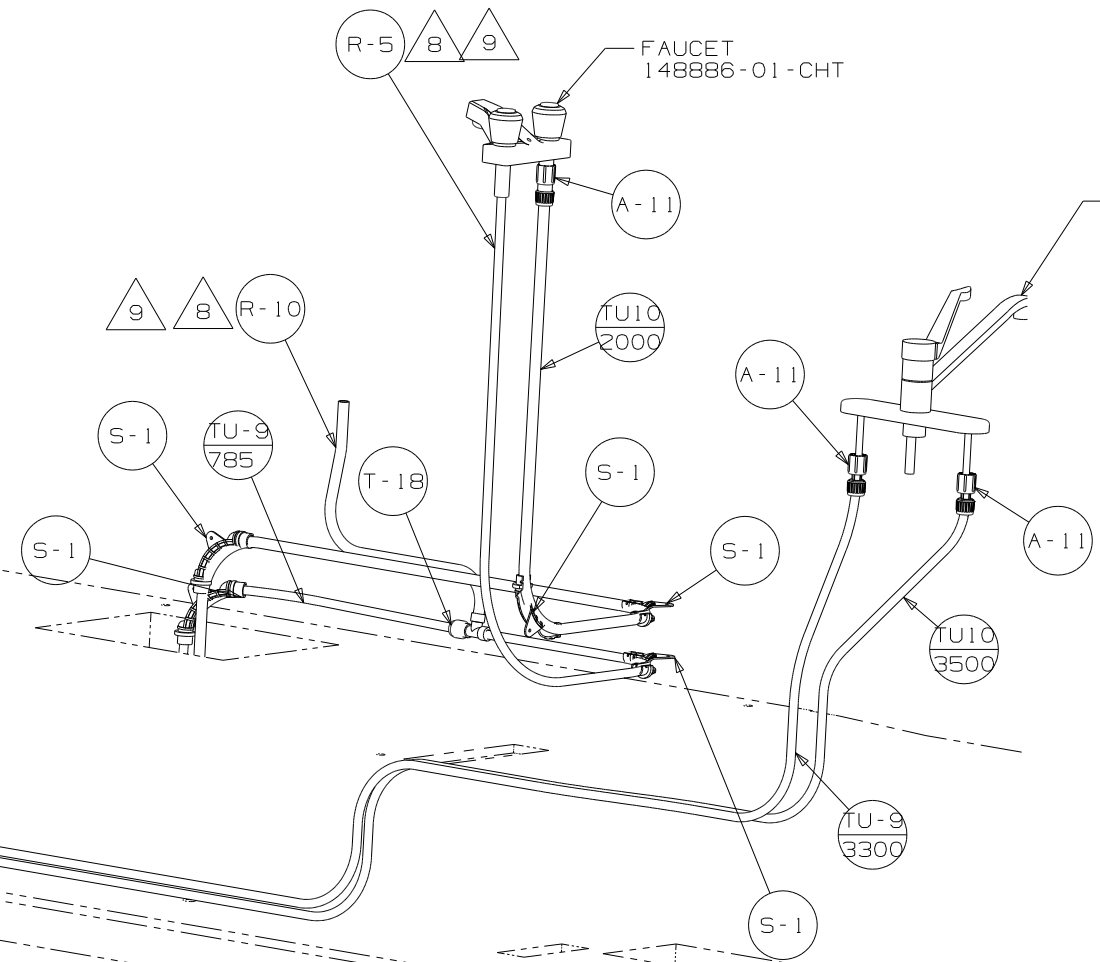


VIEW G

PANEL - SHOWER
78498-01-CHT

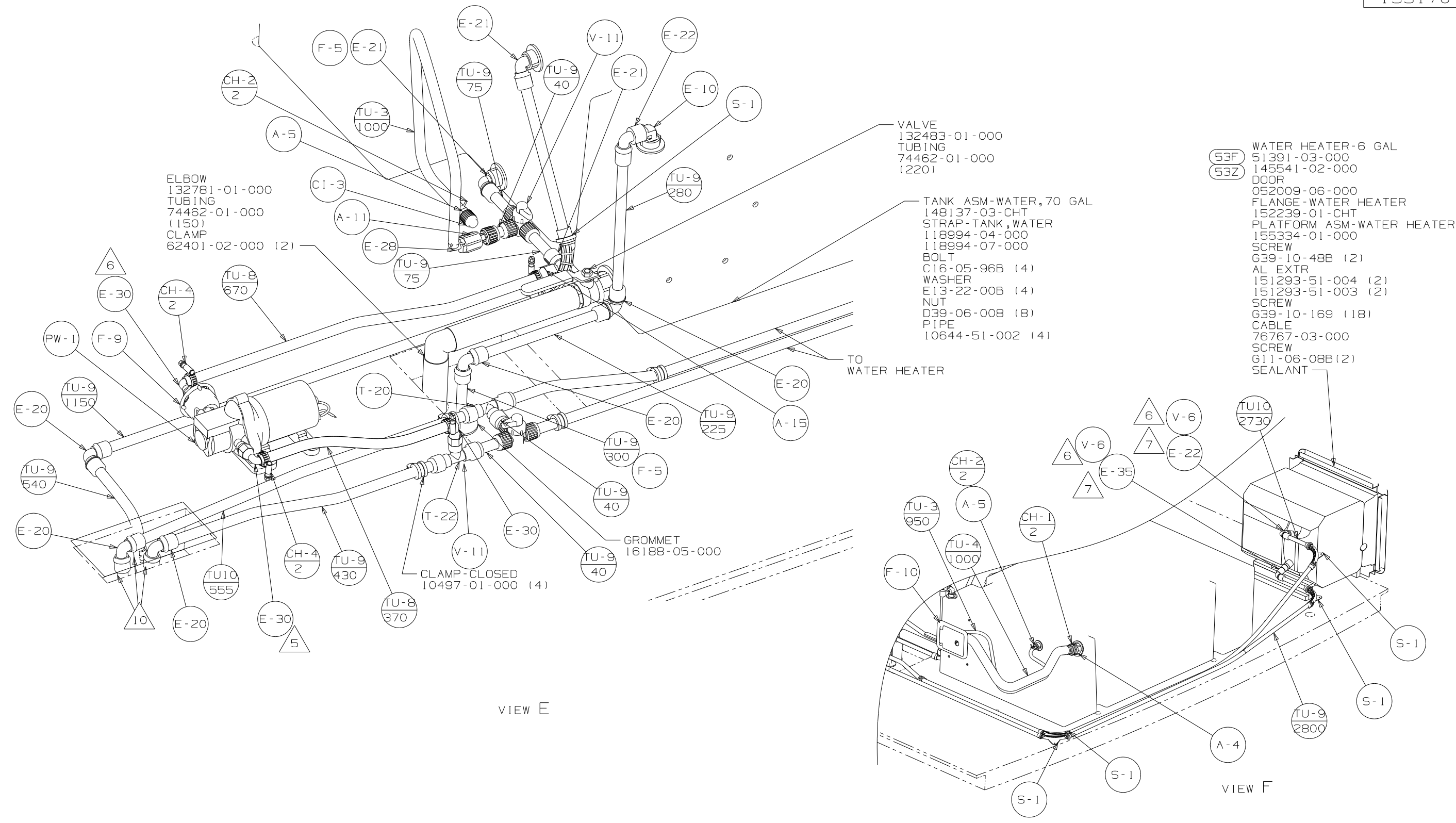


FAUCET
148886-01-CHT



VIEW A

FIRST USED	06 D30B		
TITLE	DO NOT SCALE DRAWING		
TITLE	WATER SYSTEM INSTL		
SHEET 2	PART NO	153170	REV
1 6/13/2006			



FIRST USED	06 D30B		
TITLE	DO NOT SCALE DRAWING		
TITLE	WATER SYSTEM INSTL		
SHEET 4	PART NO	153170	REV