

FRONT  
OF  
COACH

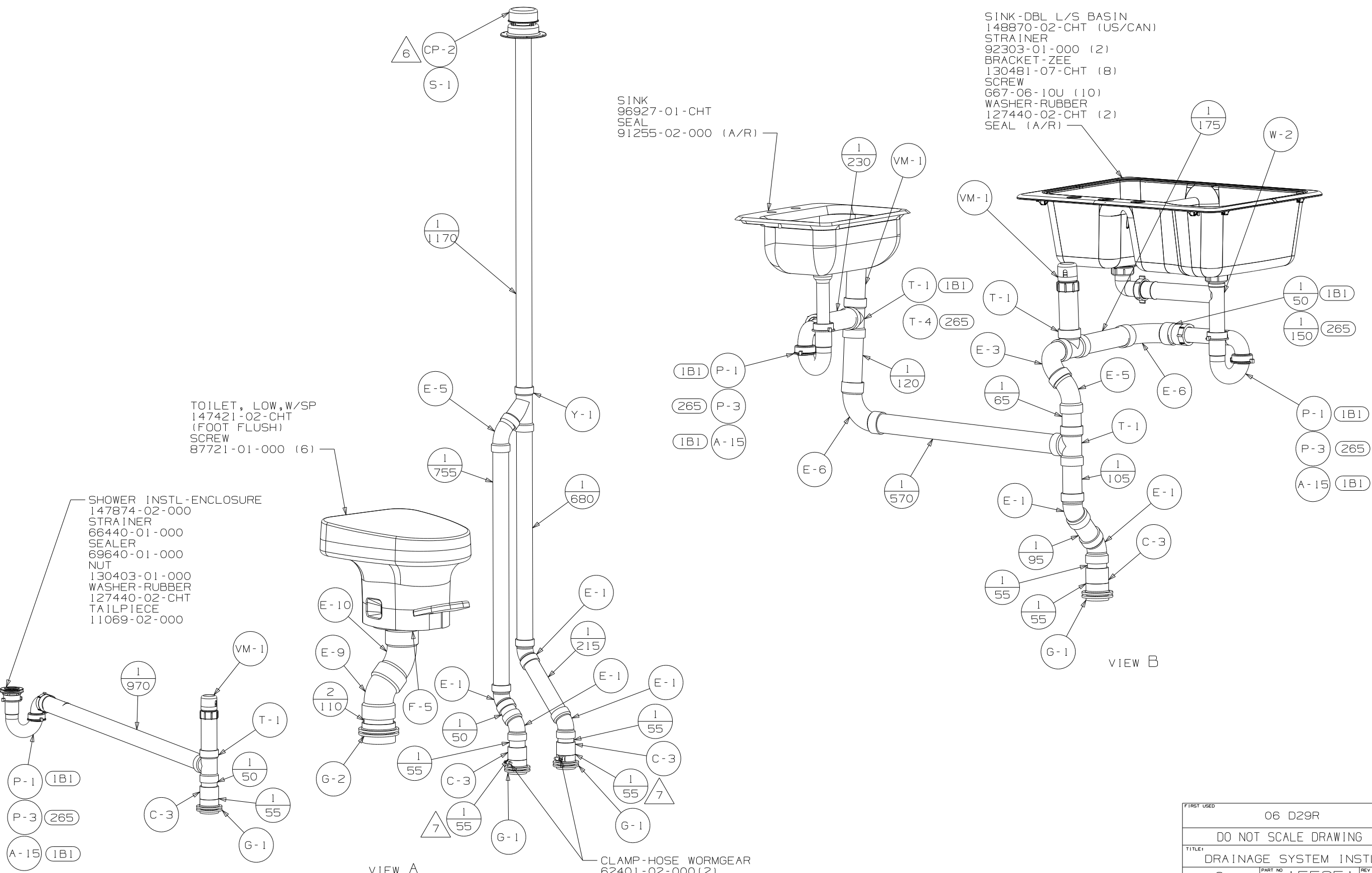
- NOTES:
- 1. SLOPE OF HORIZONTAL PIPING TO BE MIN 3 PER 305 mm.
  - 2. SLOPE OF TRAP ARM MUST BE 6 PER 305 mm.
  - 3. ALL PIPE AND FITTINGS TO BE ASSEMBLED WITH SOLVENT 4020-01-000 (US), 4020-02-000 (CAN).
  - 4. ALL EXTERIOR OPENINGS AROUND PIPE TO BE SEALED WITH 131264-03-000.
  - 5. SEAL AROUND SHOWER WITH SILICONE.
  - 6. VENT PIPE MUST PROJECT 51 MIN AND 64 MAX ABOVE ROOF FOR PROPER FIT AND FUNCTION.
  - 7. SECURE VENT TUBES TO FLOOR WITH BRACKET 95061-01-000 (2), CLAMP 62401-02-000 AND SCREW G67-10-12B (2)

(265) CODES/STDS-CSA/CMVSS  
(1B1) CODES/STANDARDS-USA

<b>WINNEBAGO</b>		COPYRIGHT 2006 WINNEBAGO INDUSTRIES, INC.	
D/FR	ORIG. DATE	ALL DIMENSIONS ARE IN MILLIMETERS	
CHKR		FIRST USED	
P.E.		06 D29R	
M.E.		UNSPECIFIED TOLERANCES ARE:	
DSNR		MATERIAL:	
		WHOLE DIM (X)	: 3
		ONE-PLACE (X.X)	:
		TWO-PLACE (X.XX)	:
		ANGLE	:
		THIRD ANGLE PROJECTION	
DO NOT SCALE DRAWING			
TITLE: DRAINAGE SYSTEM INSTL			
SHEET 1 OF 3	PART NO	155351	REV

FOR  
DRAINAGE  
CALLOUTS  
SEE DWG NO  
116229-01-000





TOILET, LOW, W/SP  
 147421-02-CHT  
 (FOOT FLUSH)  
 SCREW  
 87721-01-000 (6)

SHOWER INSTL-ENCLOSURE  
 147874-02-000  
 STRAINER  
 66440-01-000  
 SEALER  
 69640-01-000  
 NUT  
 130403-01-000  
 WASHER-RUBBER  
 127440-02-CHT  
 TAILPIECE  
 11069-02-000

SINK  
 96927-01-CHT  
 SEAL  
 91255-02-000 (A/R)

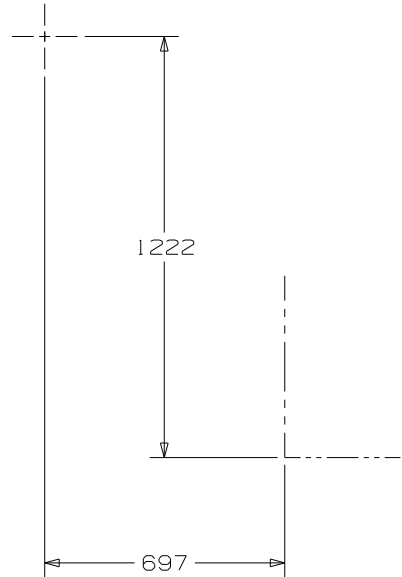
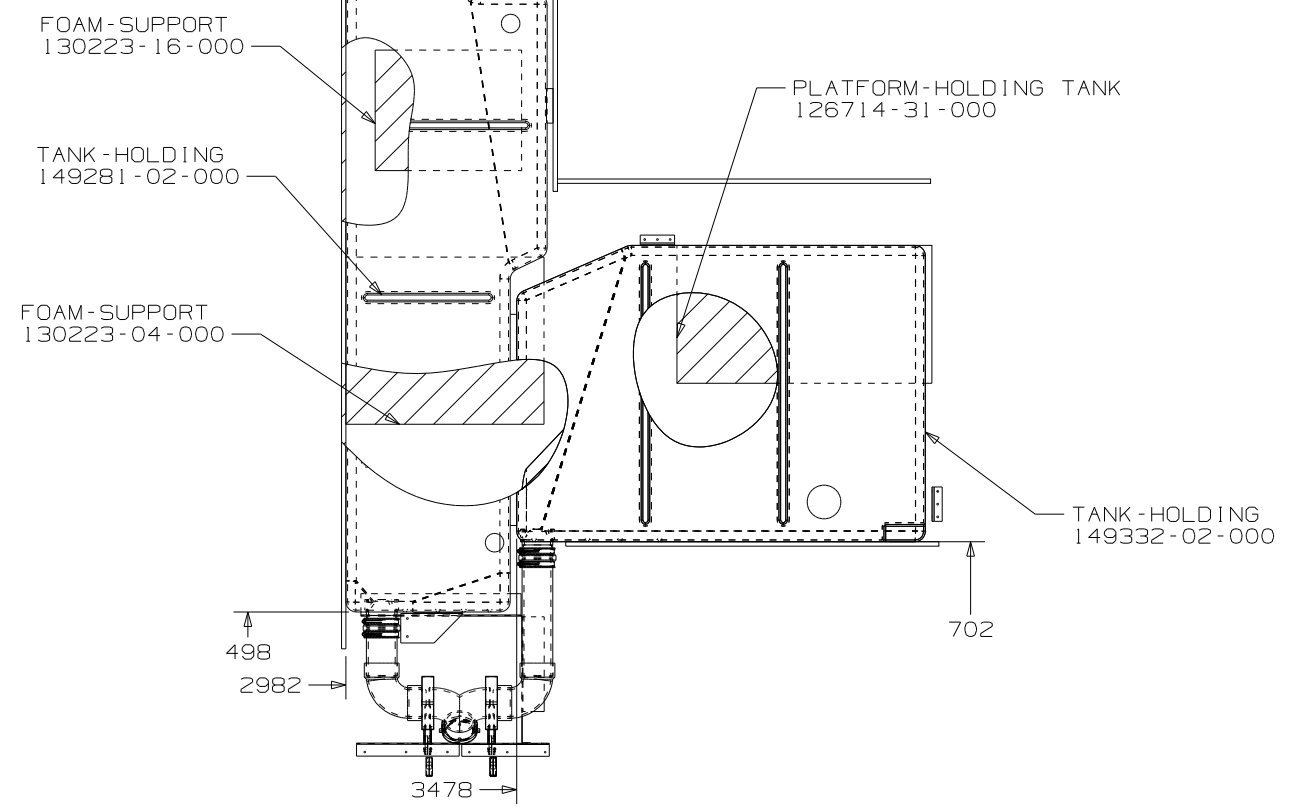
SINK-DBL L/S BASIN  
 148870-02-CHT (US/CAN)  
 STRAINER  
 92303-01-000 (2)  
 BRACKET-ZEE  
 130481-07-CHT (8)  
 SCREW  
 G67-06-10U (10)  
 WASHER-RUBBER  
 127440-02-CHT (2)  
 SEAL (A/R)

VIEW A

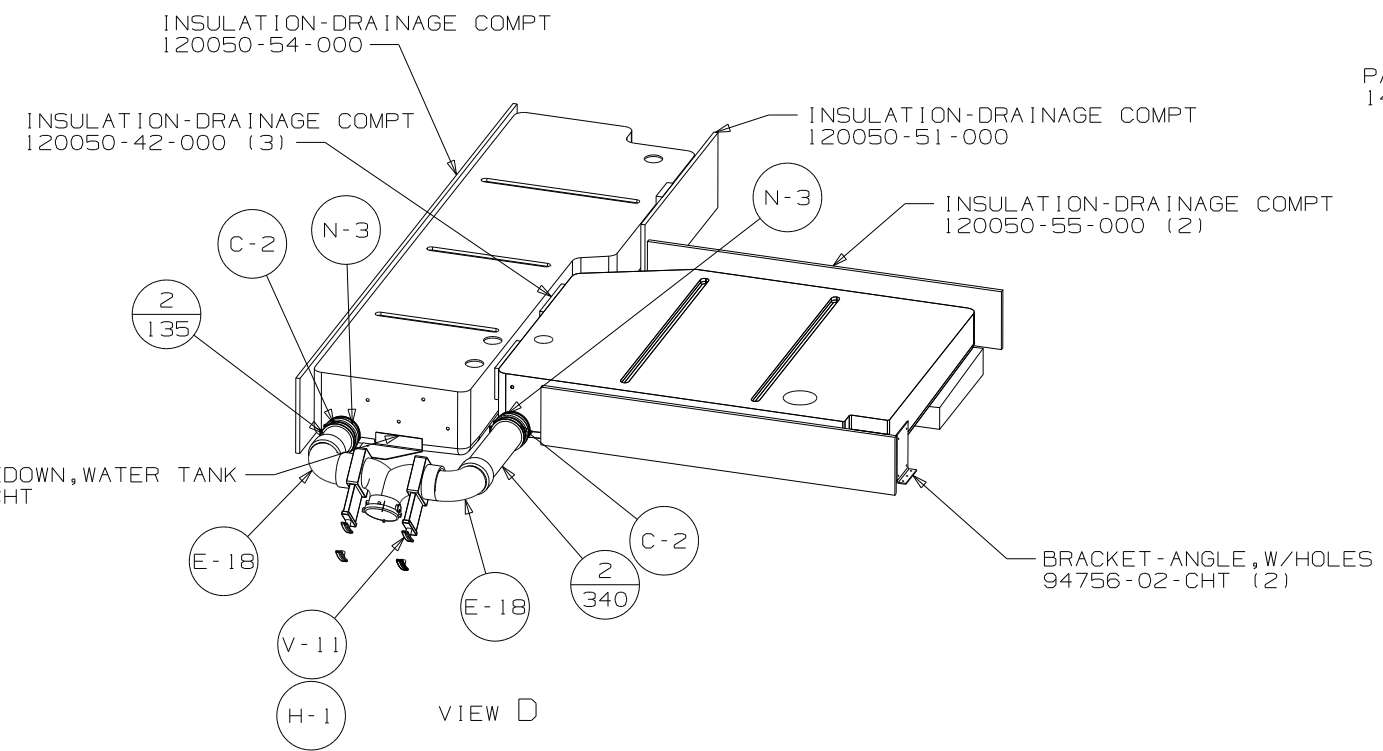
VIEW B

CLAMP-HOSE WORMGEAR  
 62401-02-000 (2)

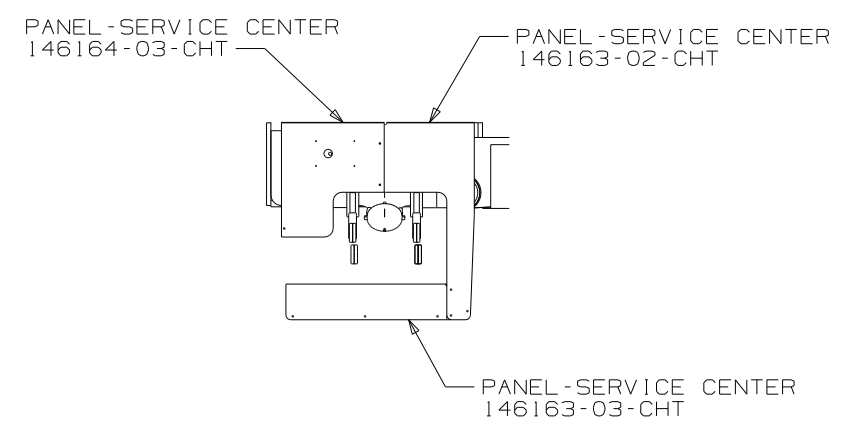
FIRST USED	06 D29R	
TITLE	DO NOT SCALE DRAWING	
	DRAINAGE SYSTEM INSTL	
SHEET 2	PART NO 155351	REV



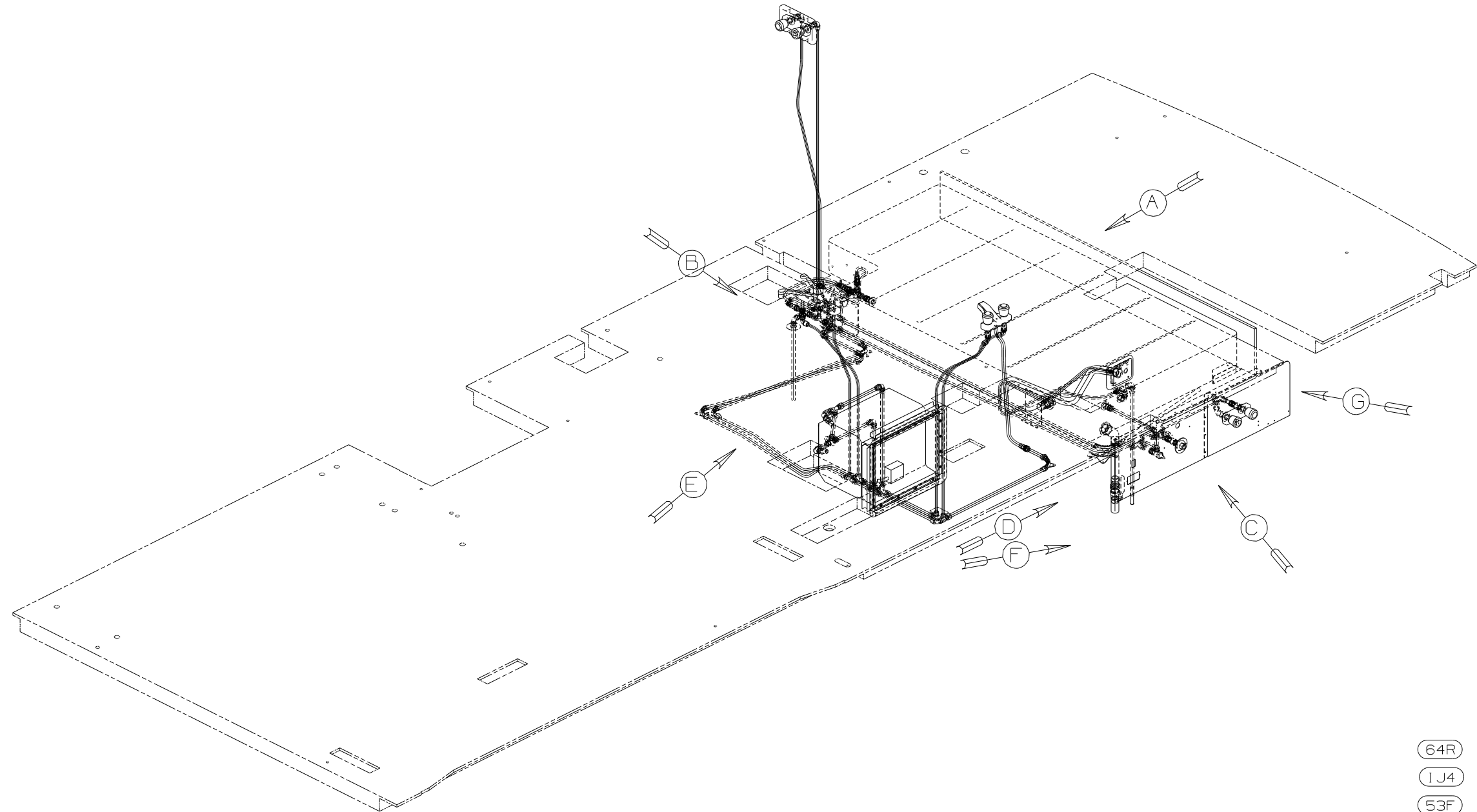
VIEW C



VIEW D



FIRST USED	06 D29R		
TITLE	DO NOT SCALE DRAWING		
	DRAINAGE SYSTEM INSTL		
SHEET 3	PART NO	155351	REV



- (64R) EXTERIOR WASH STATION
- (1J4) EXT WASH STATION-WITHOUT
- (53F) WATER HEATER-ELEC IGNITION
- (53Z) WTR HTR-6 GAL/110/LP/MTR/AUTO

- 9 ADD PIPE WRAP (LADDER SCRAP) INSULATION HERE.
  - 8 LABEL HOT AND COLD SUPPLY TUBES.
  - 7 TAPE FITTING TO TUBE BEFORE CABINET SET TO PREVENT FITTING FROM MOVING.
  - 6 ADD TEFLON TAPE 10405-01-000.
  - 5 ADD TEFLON TAPE 10405-02-000.
  - 4 FLUSHING SYSTEM REQUIRES 125697-06-000 INSTRUCTION SHEET.
3. ALL TUBING TO BE SECURED AT 1200 INTERVALS MAXIMUM WITH CLAMP 10495-01-000 OR CLIP 9151-01-000 AND SCREW G67-10-12B.
  2. TUBING TO BE INSTALLED WITH SUFFICIENT SLOPE TO PROVIDE DRAINAGE TO NEAREST VALVE.
  1. PLASTIC FITTINGS TO BE SEALED WITH SEALANT 84456-01-000.

NOTES:

<b>WINNEBAGO</b>		COPYRIGHT 2006 WINNEBAGO INDUSTRIES, INC.	
DFTR	ORIG. DATE	ALL DIMENSIONS ARE IN MILLIMETERS	
CHKR		FIRST USED	
P.E.		06 D29R	
M.E.		UNSPECIFIED TOLERANCES ARE:	
DSNR		MATERIAL:	
		WHOLE DIM (X)	: 3
		ONE-PLACE (X.X)	: 1.5
		TWO-PLACE (X.XX)	: 0.50
		ANGLE	: 1°
THIRD ANGLE PROJECTION		DO NOT SCALE DRAWING	
TITLE: WATER SYSTEM INSTL			
SHEET 1 OF 4	PART NO	153485	REV
REF:	1 6/13/2006		

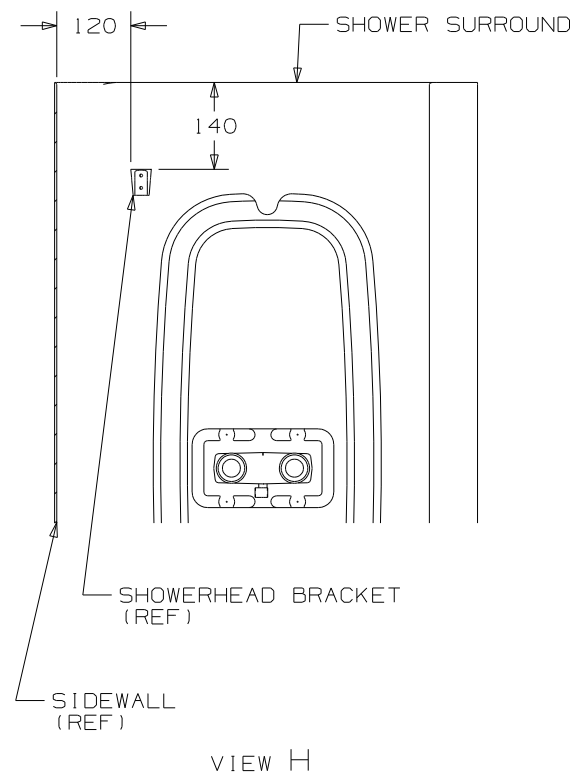
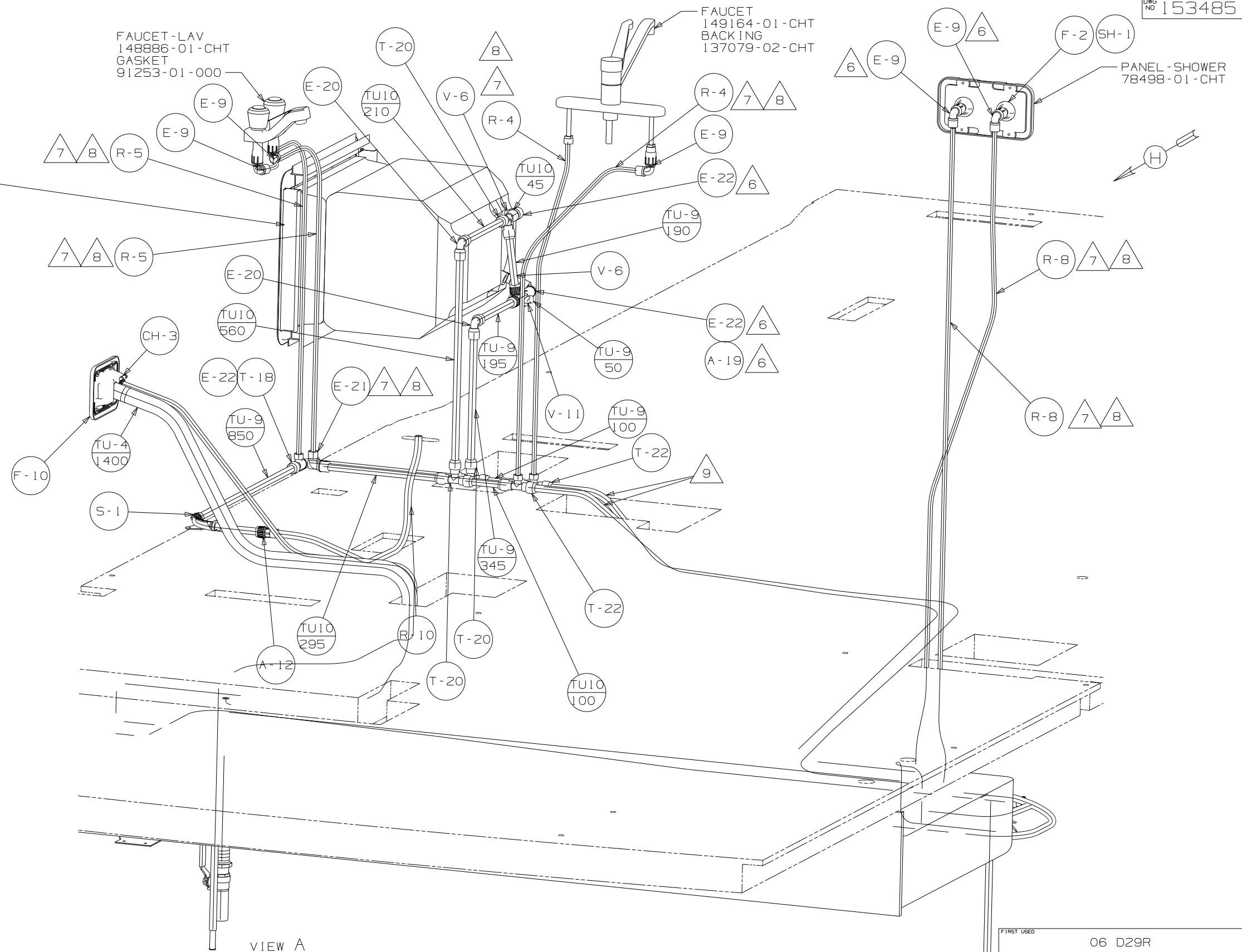
(X-X)  
FOR  
WATER  
CALLOUTS  
SEE DWG NO  
116230-01-000

- 53F WATER HEATER 51391-03-000
- 53Z DOOR 145541-02-000
- 052009-06-000 CABLE
- 76767-03-000 SCREW
- G11-06-08B (2) AL EXTR
- 151293-51-004 (2) SCREW
- 151293-51-003 (2) SCREW
- G39-10-169 (18) SEALANT
- 152239-01-CHT FLANGE

FAUCET-LAV  
148886-01-CHT  
GASKET  
91253-01-000

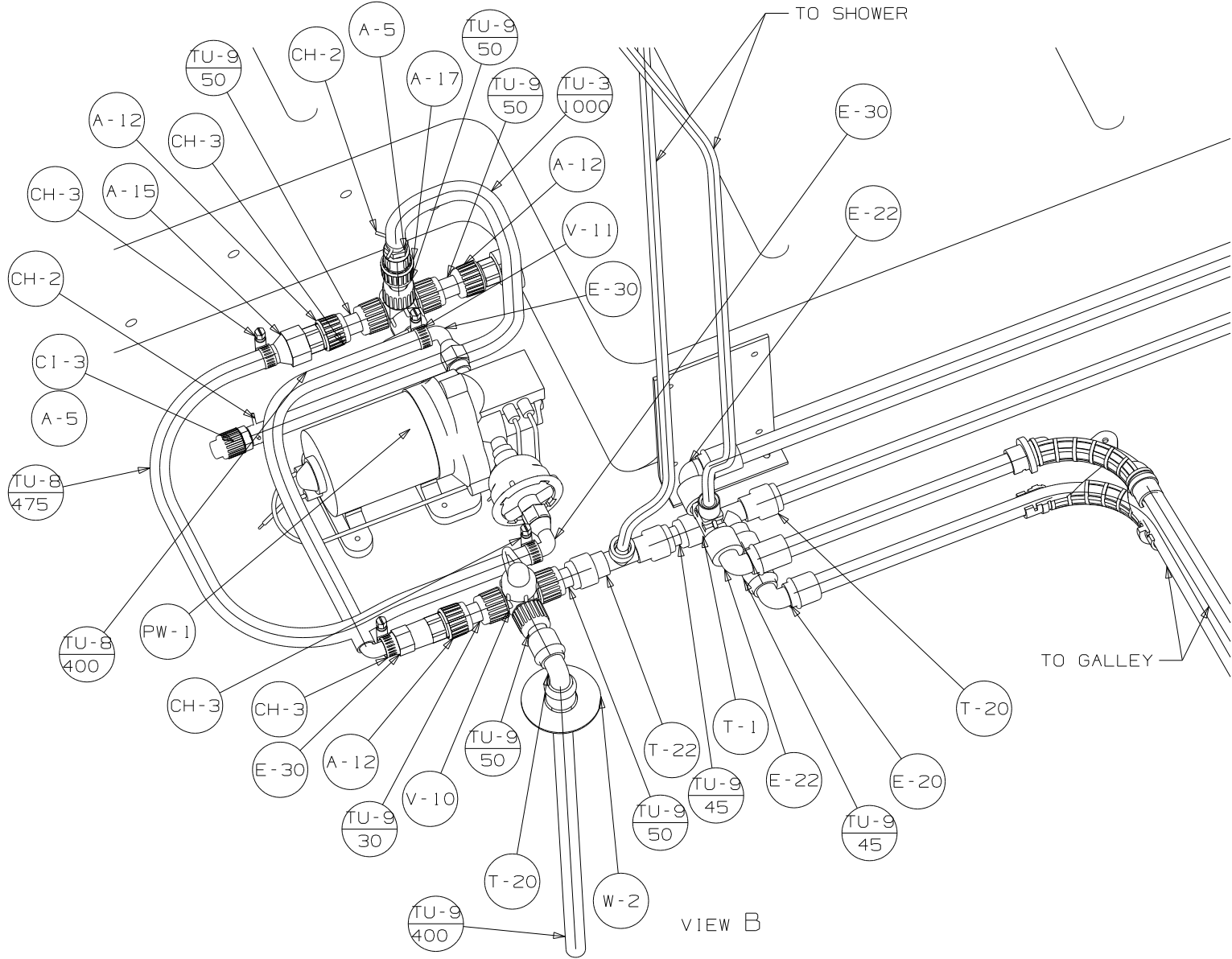
FAUCET  
149164-01-CHT  
BACKING  
137079-02-CHT

PANEL-SHOWER  
78498-01-CHT

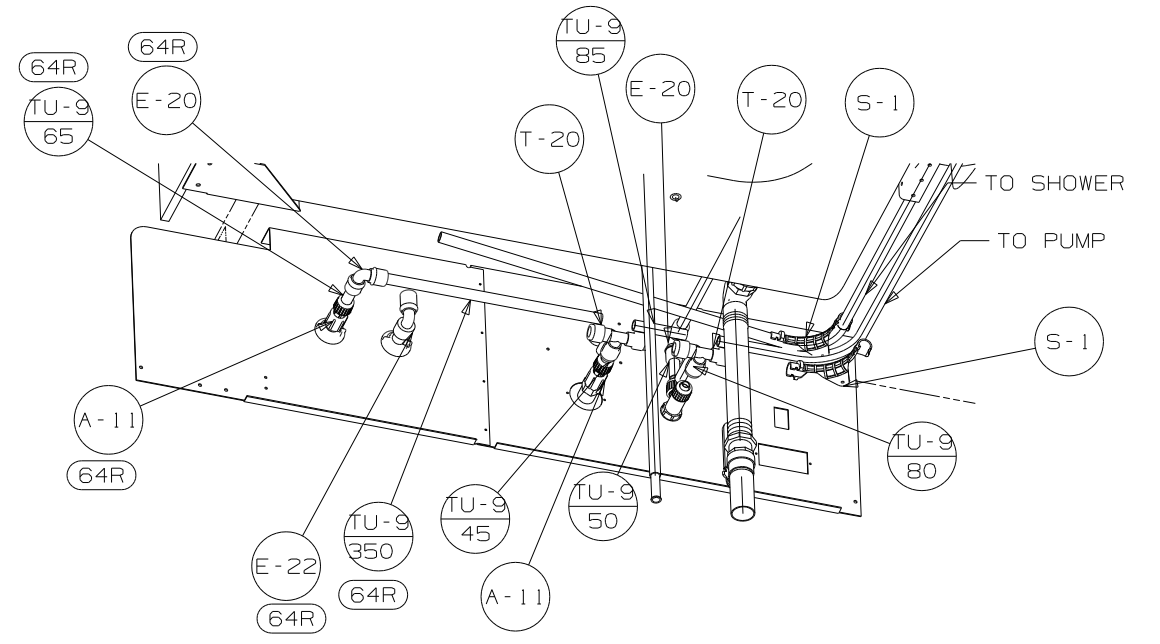


VIEW A

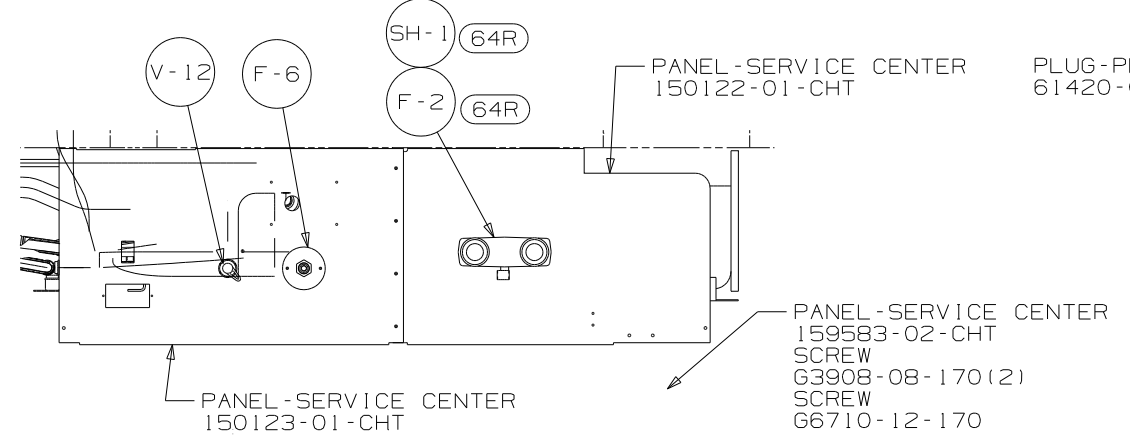
FIRST USED	06 D29R
DO NOT SCALE DRAWING	
TITLE	WATER SYSTEM INSTL
SHEET 2	PART NO 153485 REV



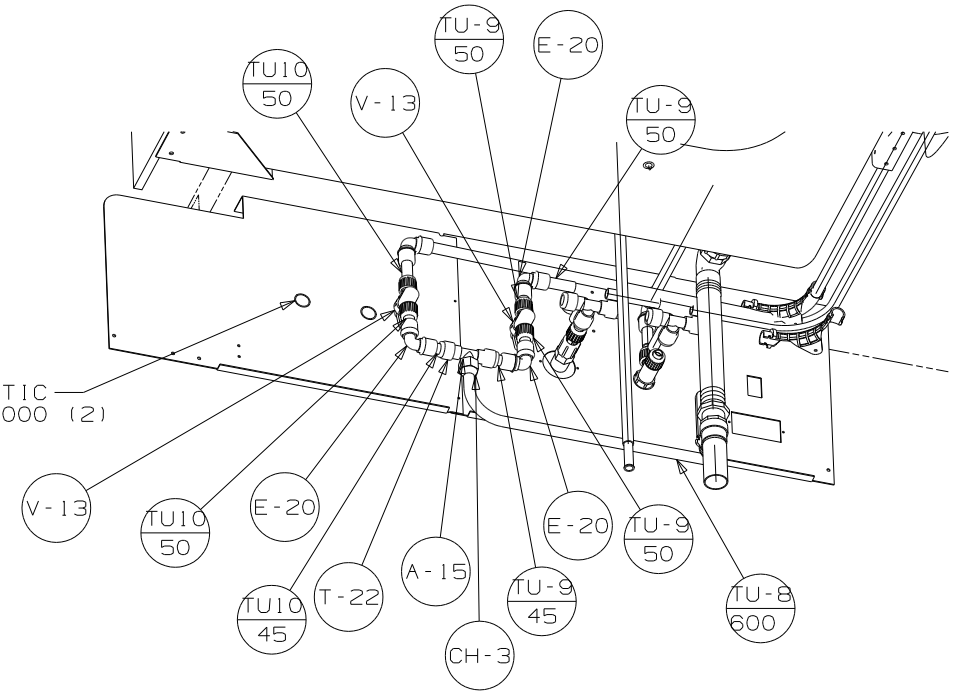
VIEW B



VIEW D



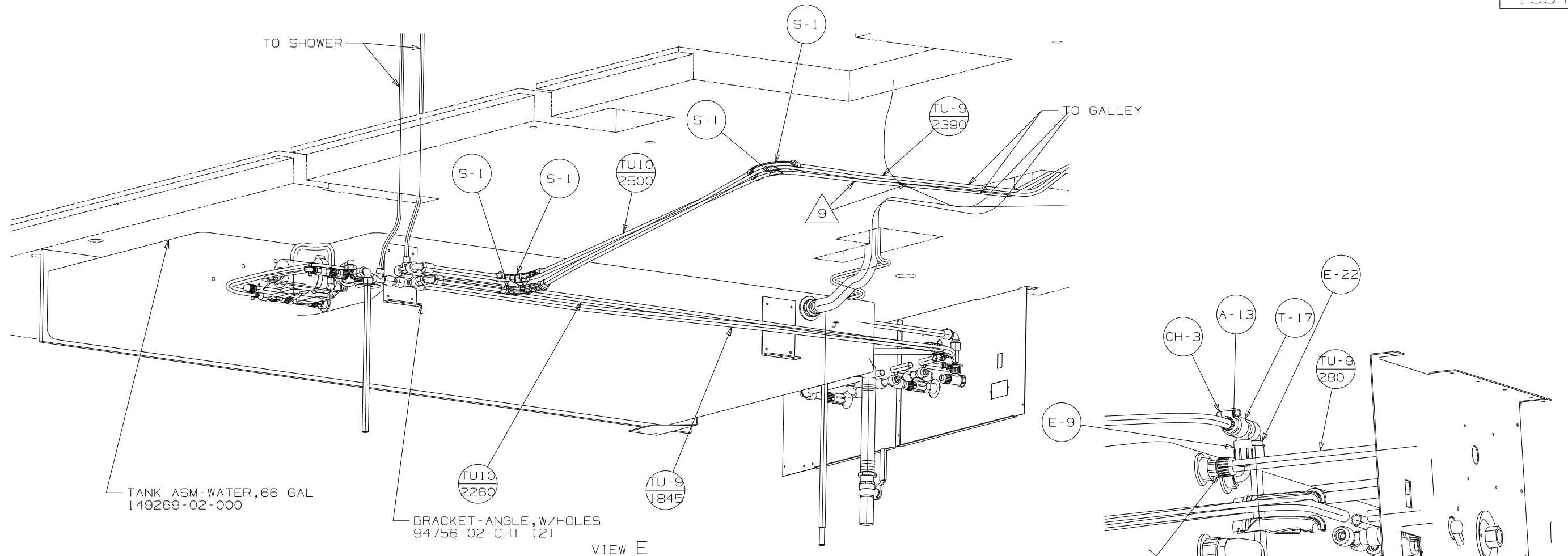
VIEW C



VIEW D

(1J4)

FIRST USED	06 D29R
TITLE	DO NOT SCALE DRAWING
TITLE	WATER SYSTEM INSTL
SHEET 3	PART NO 153485 REV

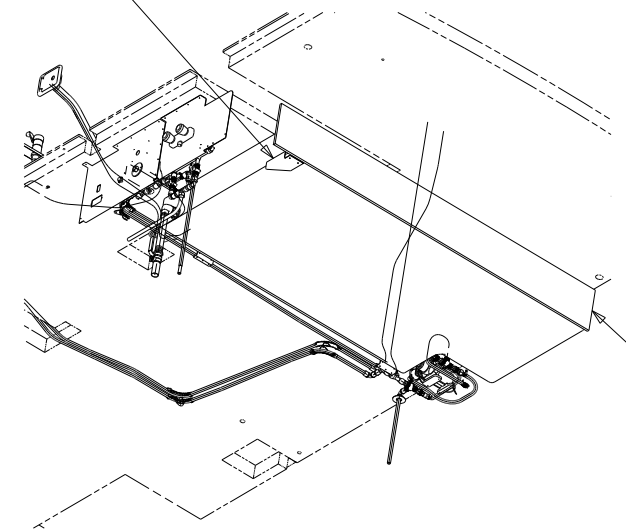


VIEW E

TANK ASM-WATER, 66 GAL  
149269-02-000

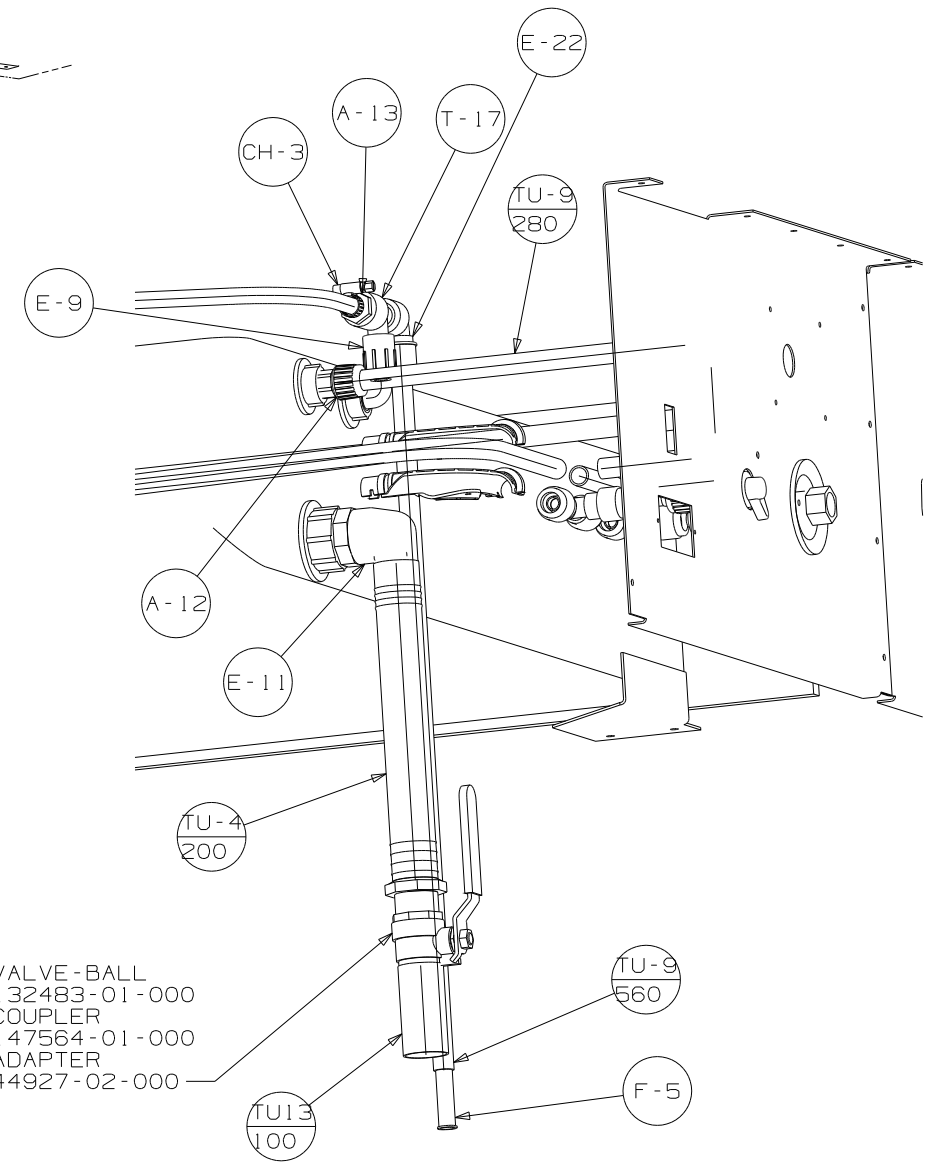
BRACKET-ANGLE, W/HOLES  
94756-02-CHT (2)

BRACKET-TIEDOWN, WATER TANK  
139004-01-CHT



VIEW G

INSULATION-DRAINAGE COMPT  
120050-54-000



VIEW F

VALVE-BALL  
132483-01-000  
COUPLER  
147564-01-000  
ADAPTER  
44927-02-000

FIRST USED	06 D29R
TITLE	DO NOT SCALE DRAWING
	WATER SYSTEM INSTL
SHEET 4	PART NO 153485 REV