

- 9 VALVE TERMINATION TEE TO BE POSITIONED AT 10° DOWN AND OUTBOARD.
- 8 SECURE PIPES TO CABINET USING WIRE TIE 108046-02-000, AND SCREW G67-10-12B.
- 7 SECURE VENT TUBES TO FLOOR WITH CLAMP 62401-02-000 (2), SCREW G67-10-12B (2), BRACKET 136878-01-CHT (2).
- 6 VENT PIPE MUST PROJECT 51 MIN AND 64 MAX ABOVE ROOF FOR PROPER FIT AND FUNCTION.
- 5. SEAL AROUND SHOWER WITH SILICONE.
- 4. ALL EXTERIOR OPENINGS AROUND PIPE TO BE SEALED WITH 131264-03-000.
- 3. ALL PIPE AND FITTINGS TO BE ASSEMBLED WITH SOLVENT 4020-01-000 (USA), 4020-02-000 (CAN)
- 2. SLOPE OF TRAP ARM MUST BE 6 PER 305 mm.
- 1. SLOPE OF HORIZONTAL PIPING TO BE MIN 3 PER 305 mm.

NOTES:

(X-X)  
FOR DRAINAGE CALLOUTS  
SEE DWG NO 116229-01-000

<b>WINNEBAGO</b>		COPYRIGHT 2006 WINNEBAGO INDUSTRIES, INC.	
DFTR	ORIG. DATE	ALL DIMENSIONS ARE IN MILLIMETERS	
CHKR			
P.E.			
M.E.	FIRST USED		
DSNR		06 D26P	
UNSPECIFIED TOLERANCES ARE:		MATERIAL:	
WHOLE DIM (X)	: 3		
ONE-PLACE (X.X)	: 1.5		
TWO-PLACE (X.XX)	: 0.50		
ANGLE	: 1°		
THIRD ANGLE PROJECTION			
DO NOT SCALE DRAWING			
TITLE: DRAINAGE SYSTEM INSTL			
SHEET 1 OF 3	PART NO	154795	REV
REF:	1 6/13/2006		

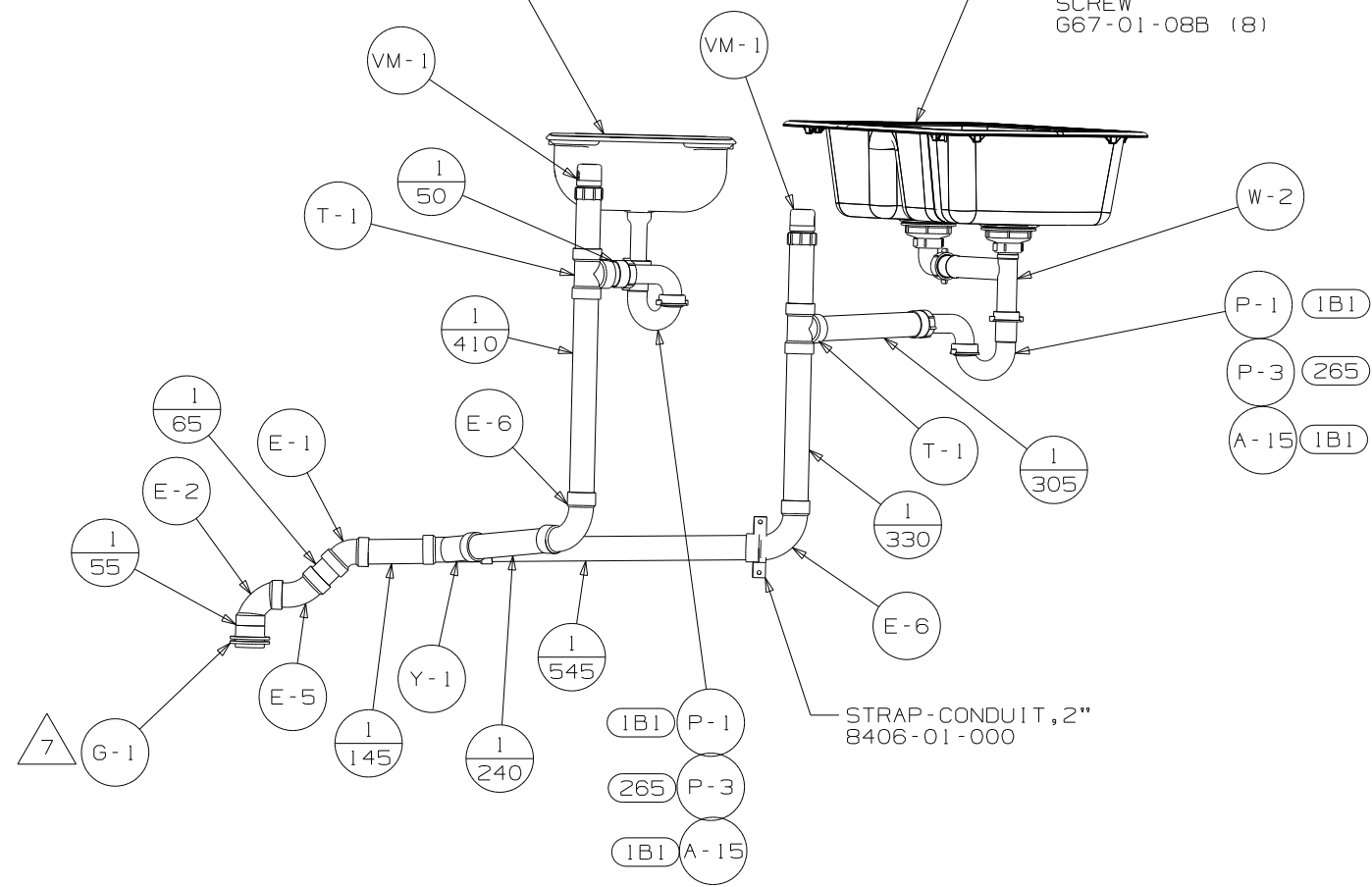
SINK-LAVATORY, RECTANGLE  
96927-01-CHT  
SEAL  
91255-02-000 (A/R)

SINK-SMC, DBL L/S BASIN  
148870-02-CHT (US/CAN)  
STRAINER  
92303-01-000 (2)  
BRACKET  
130481-07-CHT (8)  
SCREW  
667-01-08B (8)

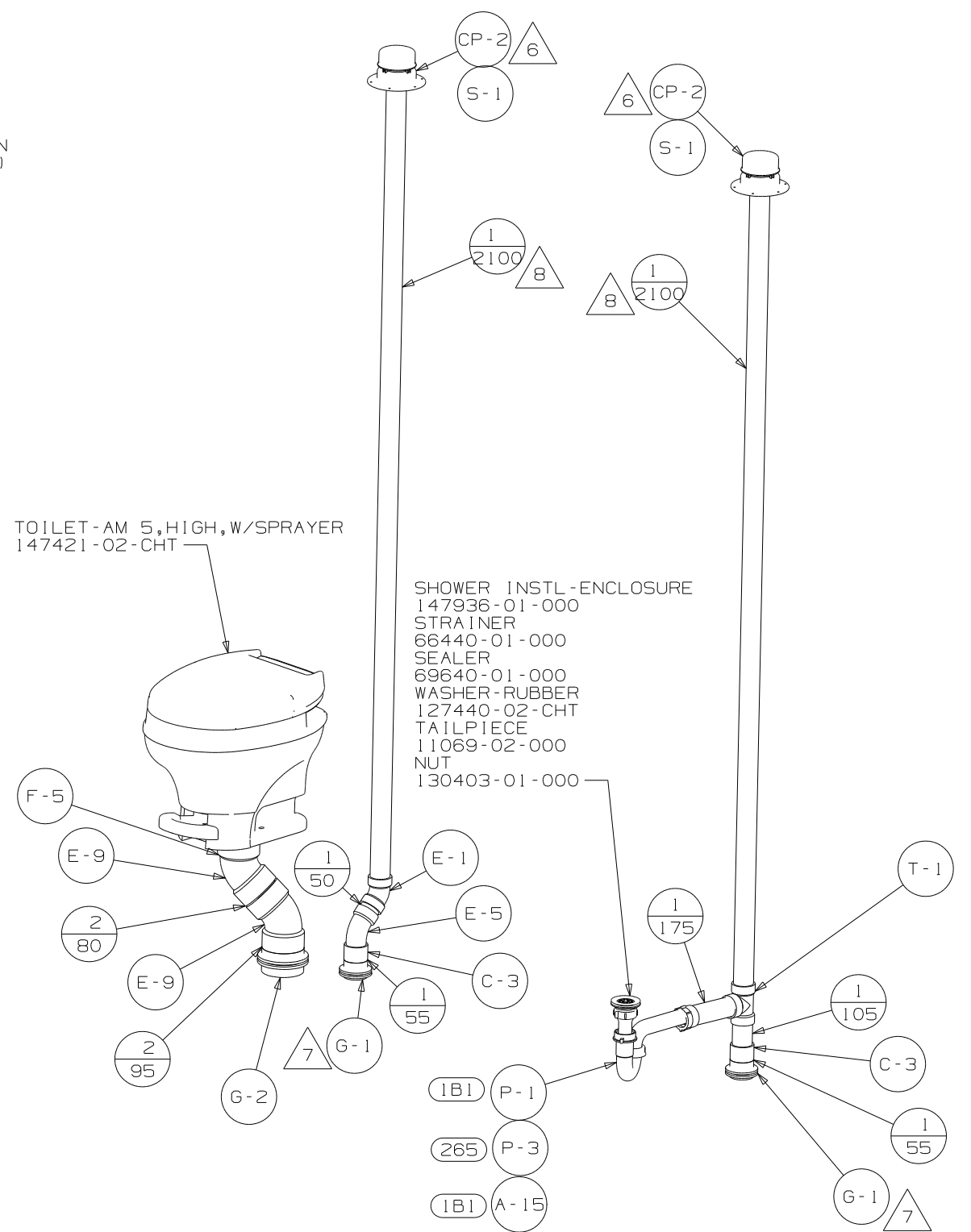
TOILET-AM 5, HIGH, W/SPRAYER  
147421-02-CHT

SHOWER INSTL-ENCLOSURE  
147936-01-000  
STRAINER  
66440-01-000  
SEALER  
69640-01-000  
WASHER-RUBBER  
127440-02-CHT  
TAILPIECE  
11069-02-000  
NUT  
130403-01-000

STRAP-CONDUIT, 2"  
8406-01-000

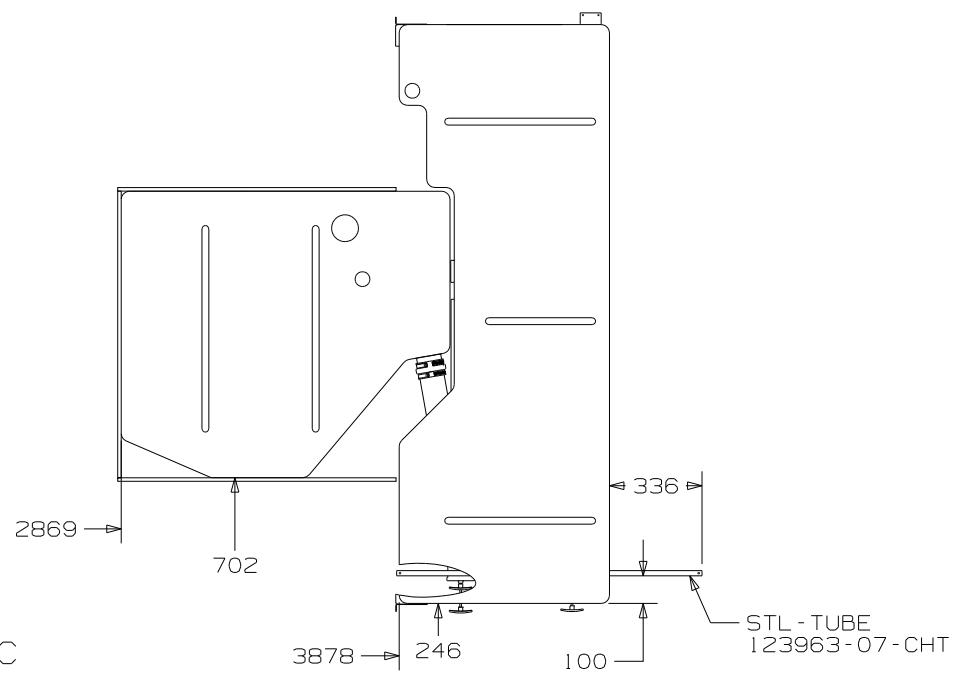
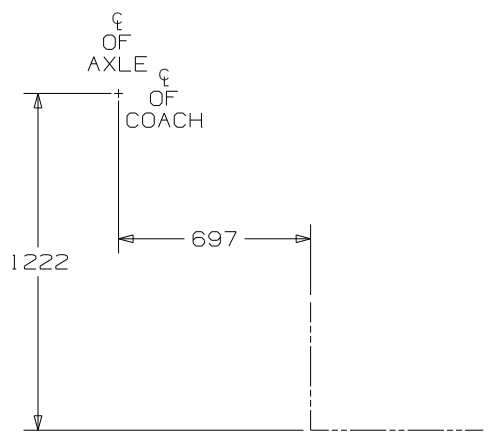


VIEW A

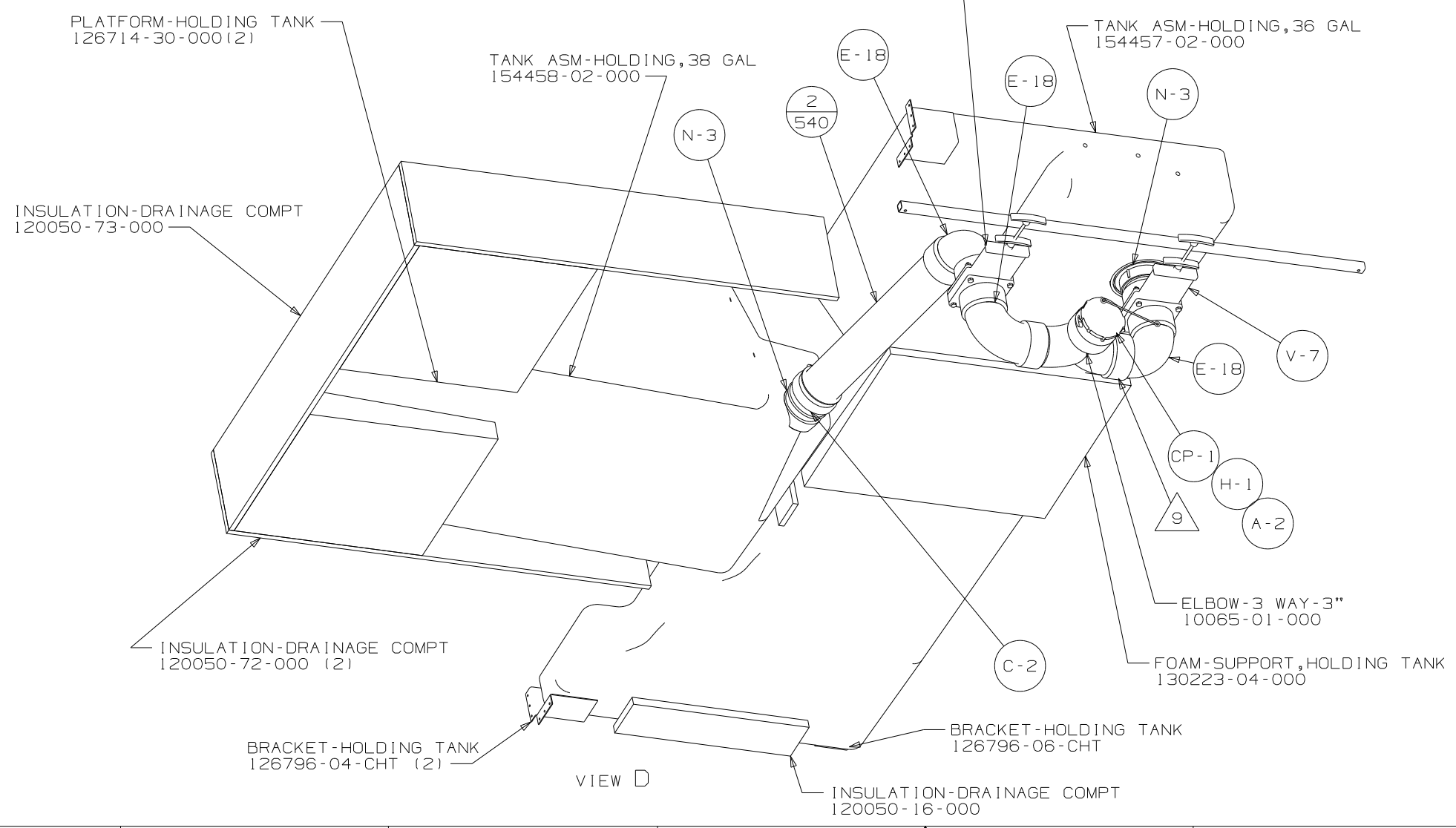


VIEW B

FIRST USED	06 D26P	
TITLE	DO NOT SCALE DRAWING	
	DRAINAGE SYSTEM INSTL	
SHEET 2	PART NO	154795
	REV	



VIEW C

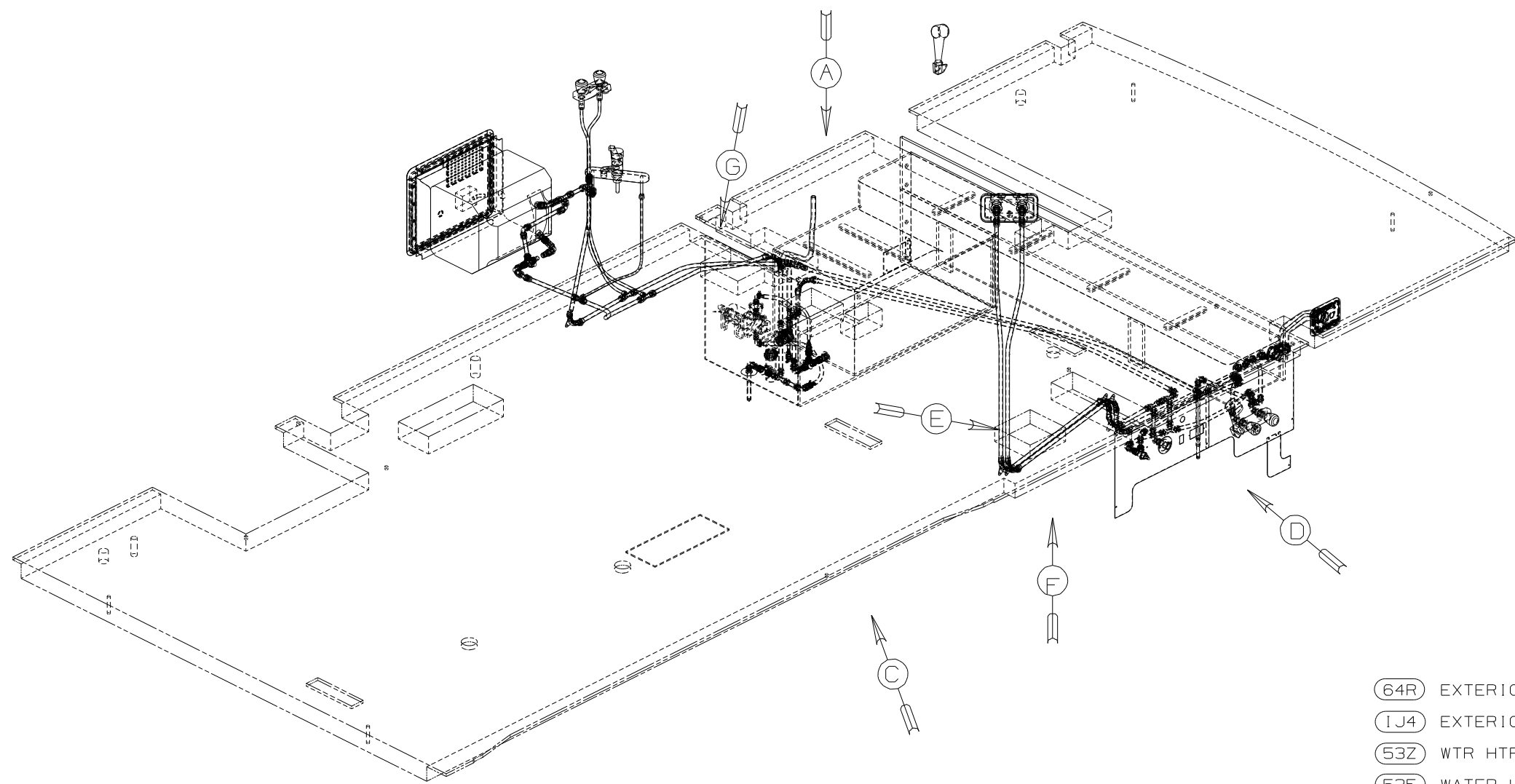


VIEW D

FIRST USED	06 D26P	
TITLE	DO NOT SCALE DRAWING	
SHEET 3	PART NO	154795
	REV	

8 7 6 5 4 3 2 1

RELEASE	REV DATE	DWG NO
A		154794
REV ZONE	REVISION RECORD	DATE DFR-ORIG



- (64R) EXTERIOR WASH STATION
- (1J4) EXTERIOR WASH STATION W/O
- (53Z) WTR HTR-6 GAL/110/LP/MTR/AUTO
- (53F) WATER HEATER ELEC. IGNITION

- NOTES:
- △ 6 ADD PIPE WRAP (LADDER SCRAP) INSULATION HERE.
  - △ 5 ADD TEFLON TAPE 10405-01-000.
  - △ 4 ADD TEFLON TAPE 10405-02-000.
  - 3. ALL TUBING TO BE SECURED AT 1200 INTERVALS MAXIMUM WITH CLAMP 10495-01-000 OR CLIP 9151-01-000 AND SCREW G67-10-12B.
  - 2. TUBING TO BE INSTALLED WITH SUFFICIENT SLOPE TO PROVIDE DRAINAGE TO NEAREST VALVE.
  - 1. PLASTIC FITTINGS TO BE SEALED WITH SEALANT 84456-01-000.

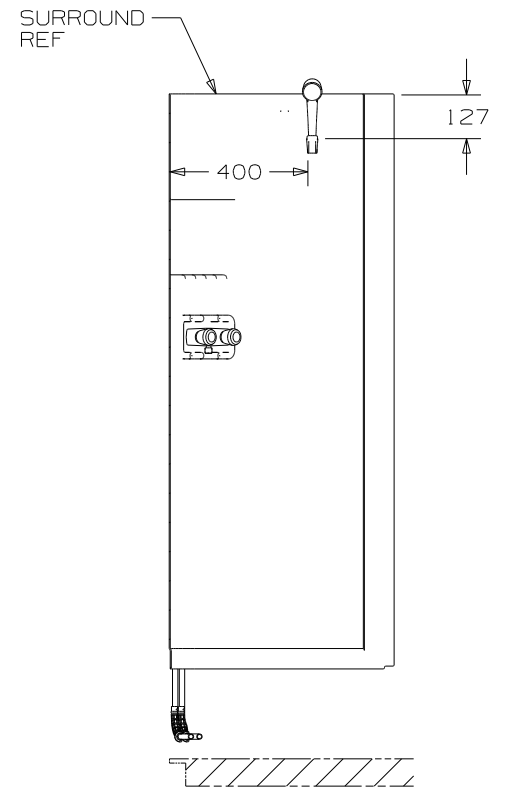
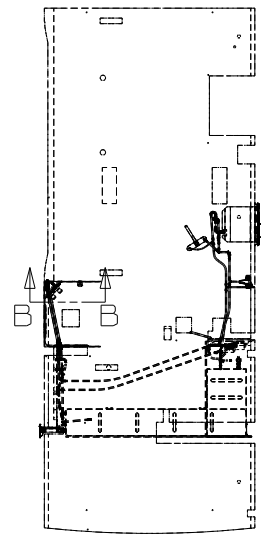
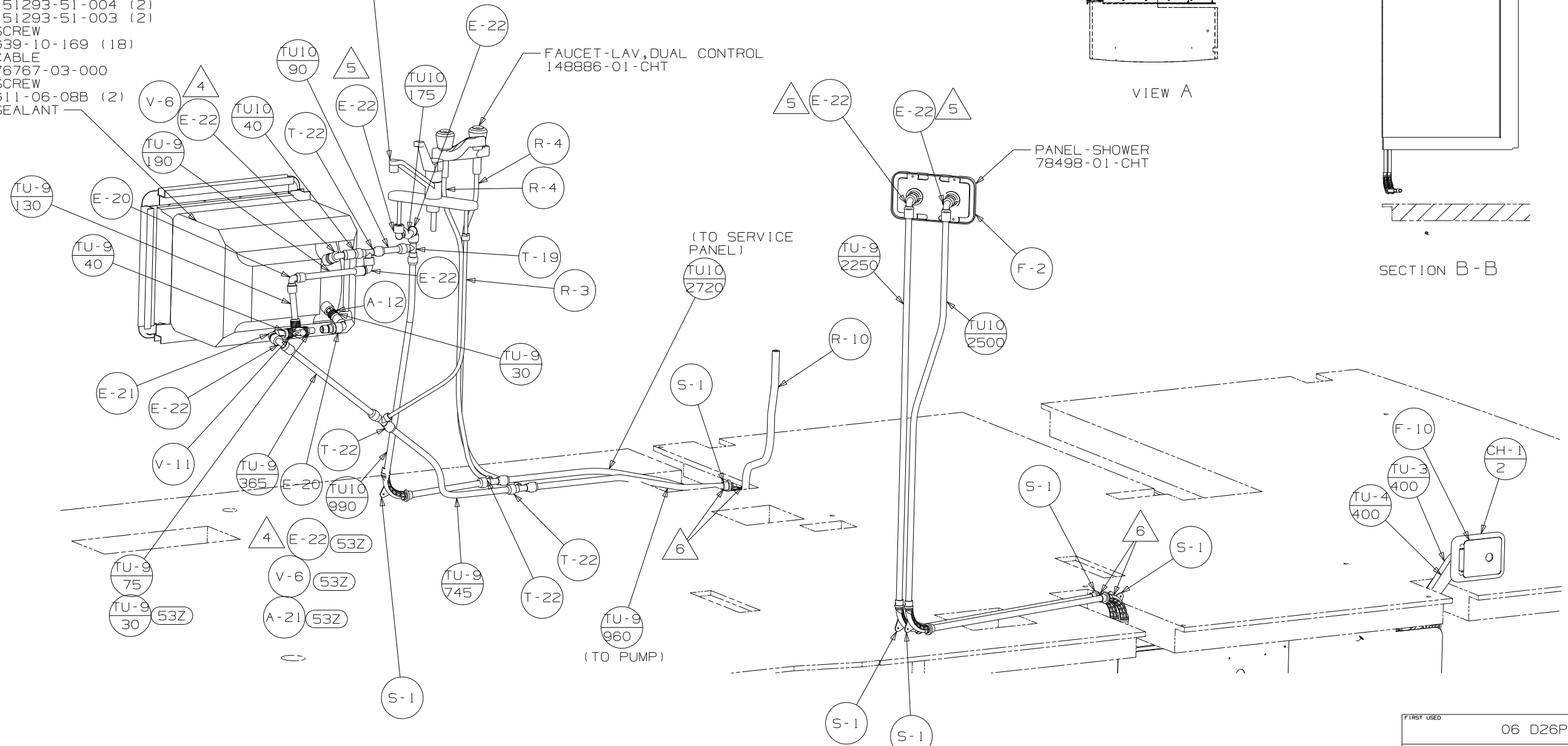
<b>WINNEBAGO</b>		COPYRIGHT 2006 WINNEBAGO INDUSTRIES, INC.	
DFTR	ORIG. DATE	ALL DIMENSIONS ARE IN MILLIMETERS	
CHKR		FIRST USED	
P.E.		06 D26P	
M.E.		UNSPECIFIED TOLERANCES ARE:	
DSNR		MATERIAL:	
		WHOLE DIM (X)	: 3
		ONE-PLACE (X.X)	: 1.5
		TWO-PLACE (X.XX)	: 0.50
		ANGLE	: 1°
THIRD ANGLE PROJECTION		DO NOT SCALE DRAWING	
TITLE: WATER SYSTEM INSTL			
SHEET 1 OF 4	PART NO	154794	REV

(X-X)  
FOR  
WATER  
CALLOUTS  
SEE DWG NO  
116230-01-000

8 7 6 5 4 3 2 1

- 53F WATER HEATER-6-GAL  
51391-03-000
- 53Z 145541-02-000  
DOOR  
52009-06-00  
FLANGE-WATER HEATER  
152239-01-CHT  
SCREW  
G39-10-48B (2)  
AL EXTR  
151293-51-004 (2)  
151293-51-003 (2)  
SCREW  
G39-10-169 (18)  
CABLE  
76767-03-000  
SCREW  
G11-06-08B (2)  
SEALANT
- FAUCET-GALLEY, SGL CONTROL  
149164-01-CHT  
SPACER  
137079-02-CHT

- FAUCET-LAV, DUAL CONTROL  
148886-01-CHT



VIEW C

FIRST USED	06 D26P
DO NOT SCALE DRAWING	
TITLE	WATER SYSTEM INSTL
SHEET 2	PART NO 154794 REV



