



DANGER

Danger of electrical shock, burns or death. Always remove all power sources before attempting any repair, service or diagnostic work. Power can be present from shore power, generator, inverter or battery. All power sources must be disabled and secured before performing any service.

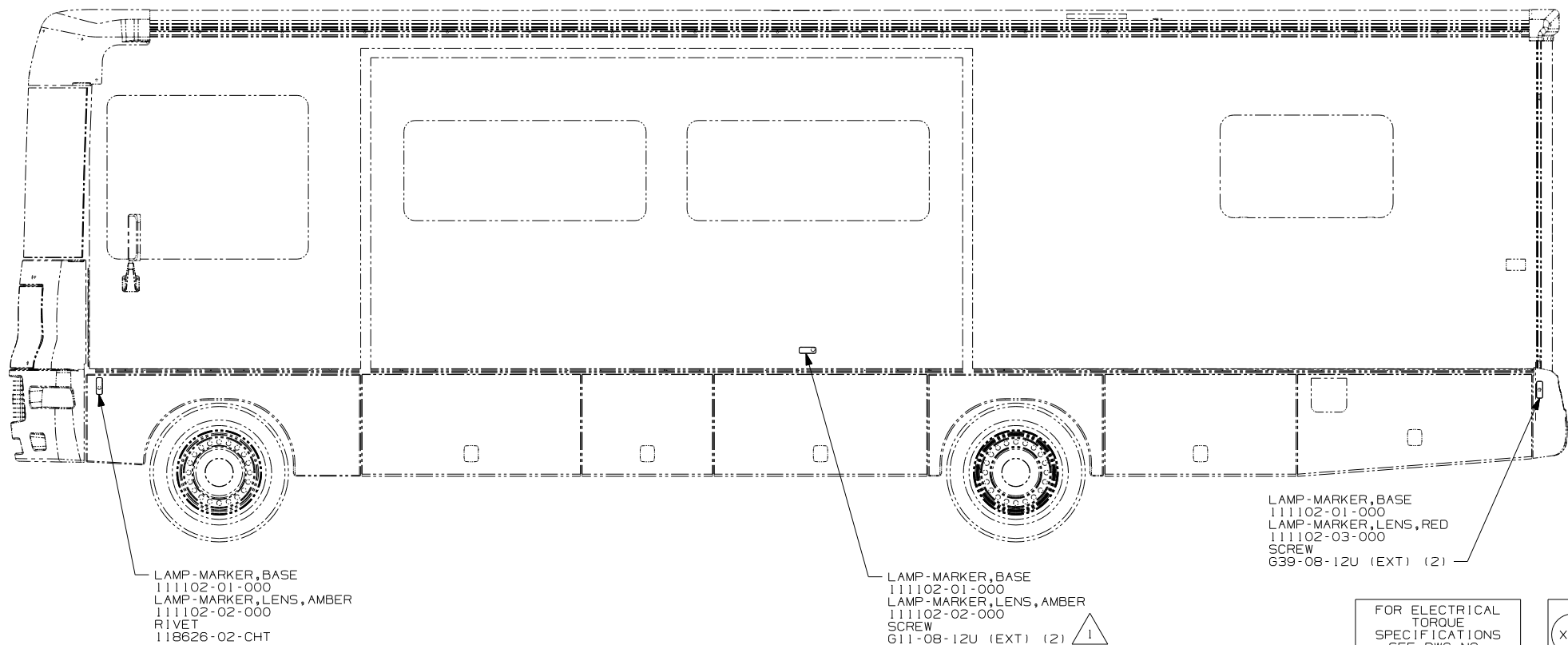
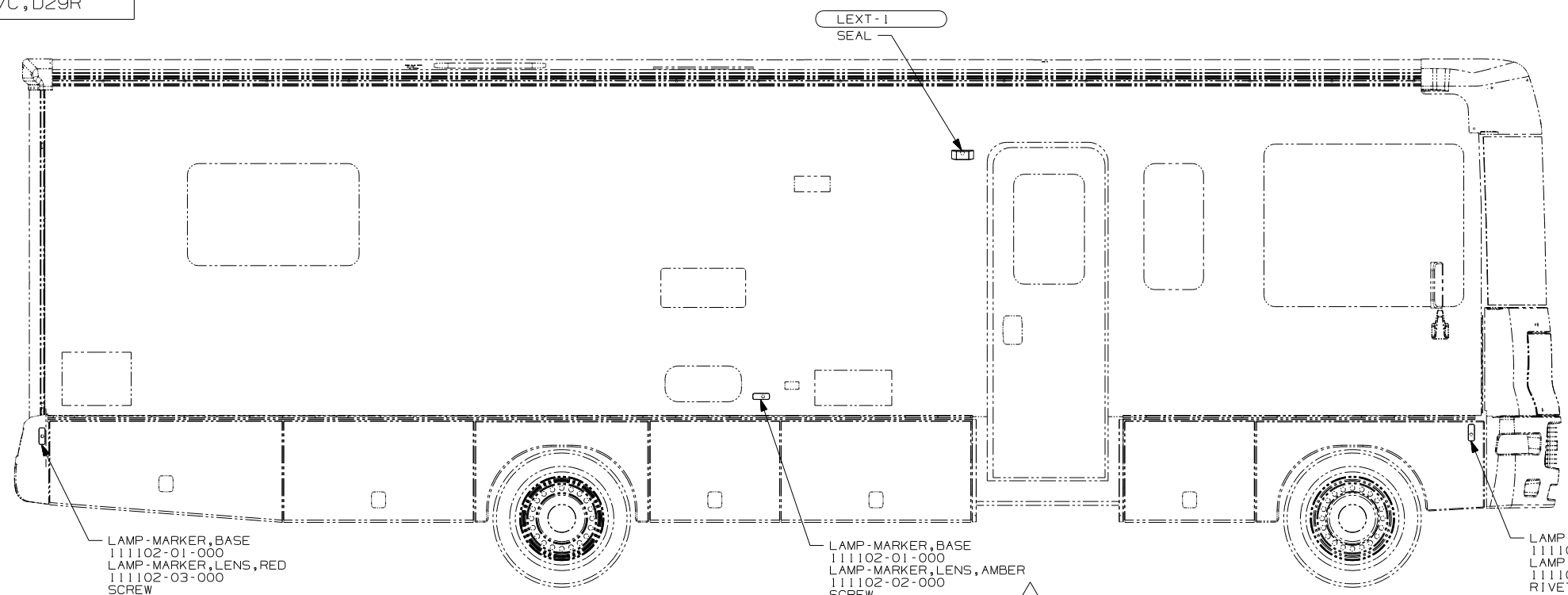


CAUTION

If you lack the skills, tools or equipment to perform diagnostic or repair work leave such work to an authorized Winnebago Industries dealer or other qualified shop.

DRAWING NO.	MODEL
152103-01	D30B, D33L, D34A, D35N
152103-02	D26P, D27C, D29R

RELEASE	REV DATE	DWG NO
A		152103
REV ZONE	REVISION RECORD	DATE DFR-0R1G



- 265 CODES/STANDARDS-CSA/CMVSS
- 1B1 CODES/STANDARDS-USA
- 1B1 265

WINNEBAGO COPYRIGHT 2006 WINNEBAGO INDUSTRIES, INC.

DFTR	ORIG. DATE
CHKR	ALL DIMENSIONS ARE IN MILLIMETERS
P.E.	
M.E.	FIRST USED
DSNR	06 D-SERIES

UNSPECIFIED TOLERANCES ARE: MATERIAL:

HOLE DIM (X)	:	
ONE-PLACE (X.X)	:	
TWO-PLACE (X.XX)	:	
ANGLE	:	

THIRD ANGLE PROJECTION

DO NOT SCALE DRAWING

TITLE: WIRING INSTL-EXTERIOR LAMPS

SHEET 1 of 3 PART NO 152103 REV

REF: 1 6/16/2006

NOTES:
1 NOT USED ON D26P, D27C, D29R

FOR ELECTRICAL TORQUE SPECIFICATIONS SEE DWG NO. 128783-01-000

FOR ELECTRICAL CALLOUTS SEE DWG NO. 121339-01-000

LAMP-MARKER,BASE
111102-01-000 (5)
LAMP-MARKER,LENS,AMBER
111102-02-000 (5)
SCREW
G11-08-12U (EXT) (10)
CONNECTOR
58028-01-000 (10)

WIRE ASM-CLEARANCE LAMPS
129943-01-000

2 PIN HOUSING TO WIRE
ASM-CLEARANCE LAMPS

WIRE ASM-CLEARANCE LAMPS,RR
132085-02-000

LAMP-MARKER,BASE
111102-01-000 (5)
LAMP-MARKER,LENS,RED
111102-03-000 (5)
SCREW
G11-08-12U (EXT) (10)
CONNECTOR
58028-01-000 (10)

2 PIN HOUSING
TO WIRE ASM-
IP, MAIN

WIRE IN
BACKWALL

CHASSIS HOUSING
TO CHASSIS HEADLAMP
CONNECTOR

LAMP ASM-BRAKE
136916-01-000
SCREW
G11-08-20T (2)
CONNECTOR
58028-01-000 (2)
BLK/WHT TO YEL
BLK TO WHT

LAMP HOUSING
TO HIGH
BEAM LAMP

LAMP HOUSING
TO HIGH
BEAM LAMP

LAMP HOUSING
TO LOW/HIGH
BEAM LAMP

LAMP HOUSING
TO LOW/HIGH
BEAM LAMP

TO RIGHT SIDE
MARKER LAMP

TO LEFT SIDE
MARKER LAMP

LAMP HOUSING
TO RIGHT
TURN SIGNAL

LAMP HOUSING
TO LEFT
TURN SIGNAL

2 RING TERMINAL
TO GROUND BOLT

TO SIDE
MARKER LAMP

LIGHT ASM-STOP/TAIL/BACKUP
115632-03-CHT (2)
SCREW
G11-08-12U (EXT) (8)
DETAIL CC

TO SIDE
MARKER LAMP

LAMP-LICENSE PLATE
87201-01-000
SCREW
G11-06-12U (EXT) (2)

FOR ROUTING
DETAIL CA

16H WIRE ASM-HEADLAMP
148645-03-000
IPC 1PM 148645-04-000

BRACKET ASM-HEADLAMP
147901-01-CHT (RH)
147901-02-CHT (LH)
NUT-SF/LOCKING
D29-05-00B (8)
WASHER
E13-16-00B (8)

PIN-MOUNT,HEADLAMP
148111-01-CHT (4)

SCREW
G39-08-08B (8)

HEADLAMP ASM
148629-01-000 (RH)
148629-02-000 (LH)

LAMP ASM-TURN
159077-01-000 (2)
SCREW-MACHINE
G18-08-16B (4)
NUT
D65-08-00B (4)

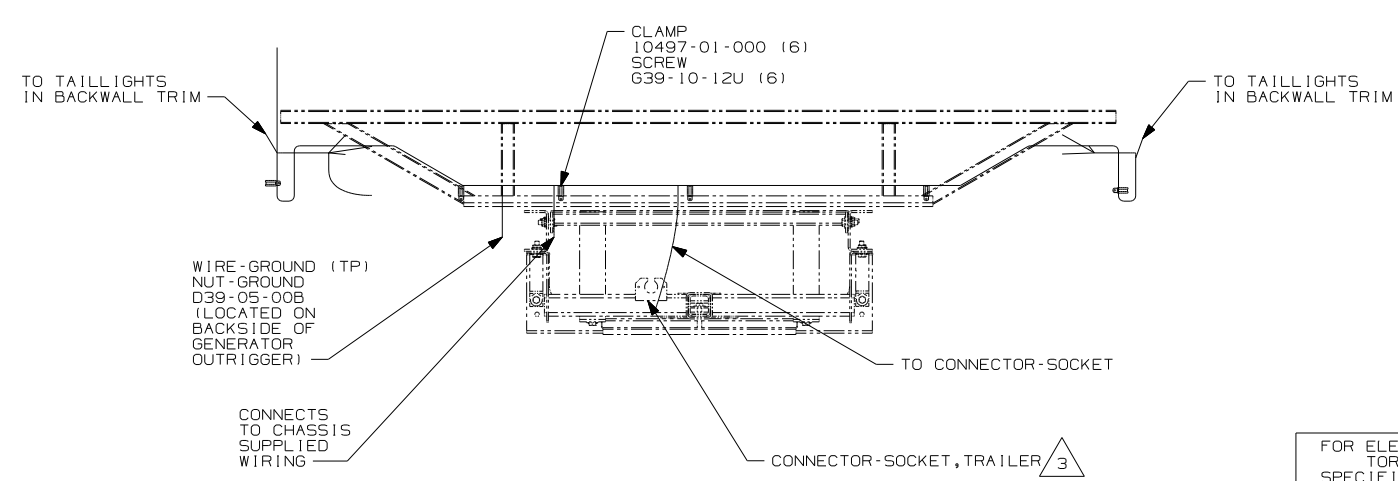
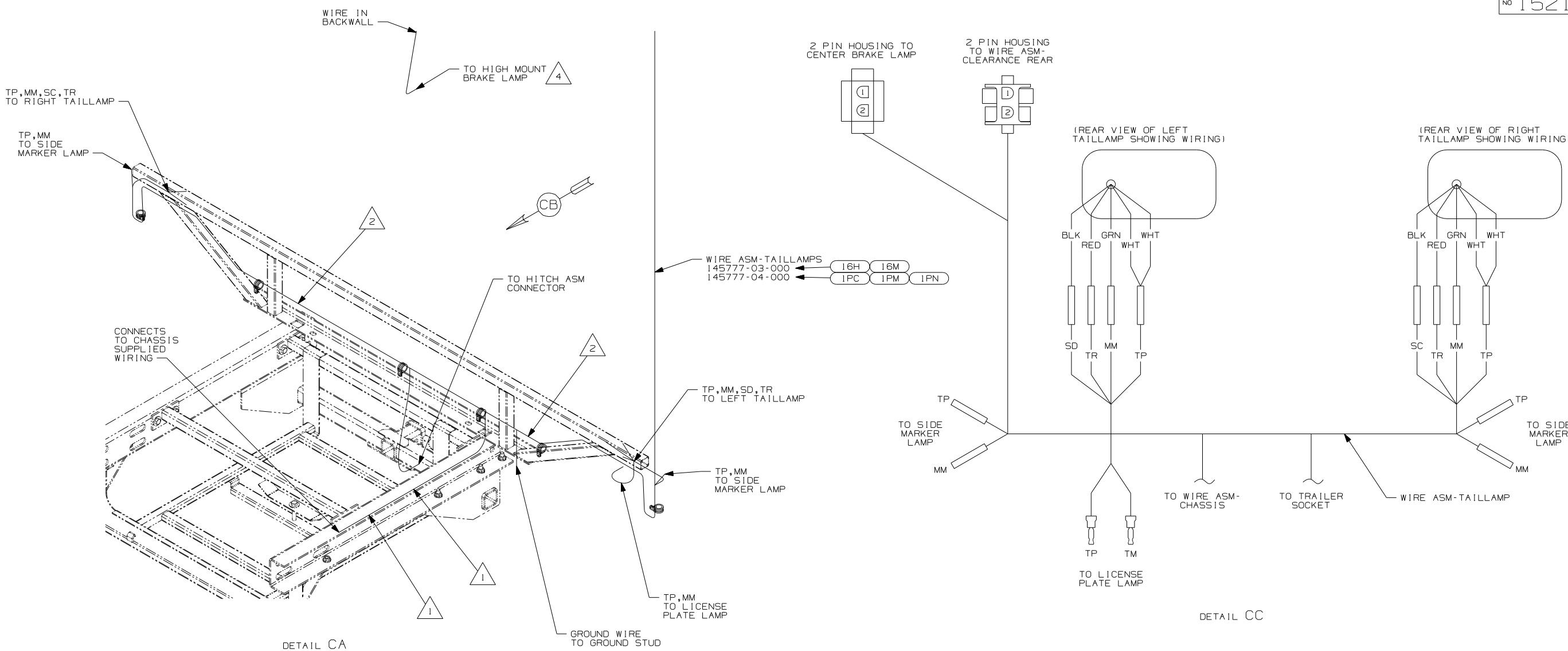
FOR ELECTRICAL
TORQUE
SPECIFICATIONS
SEE DWG NO.
128783-01-000

FOR
ELECTRICAL
CALLOUTS
SEE DWG NO.
121339-01-000

- IPC WORKHORSE CH. 15,000LB. GVWR
- 16H FORD CHASSIS 18,000#/V10 ENG
- 1PM WORKHORSE CHASSIS-18,000LB.
- 265 CODES/STANDARDS-CSA/CMVSS
- 1B1 CODES/STANDARDS-USA
- WIN WINNEBAGO ONLY
- ITA ITASCA ONLY

- 3 SECURE WIRE ASM APPROX. EVERY 450 TO BATTERY CABLES AND BRACKETS. USE TIE-WIRE 8343-01-000 OR 93147-01-000 AS APPROPRIATE.
 - 2 CLEAN PAINT OFF METAL (BOLT) BEFORE CONNECTING GROUND TO INSURE CONTACT. ALSO MOUNT CHASSIS SUPPLIED HORN TO GROUND BOLT.
1. GATHER ALL EXCESS WIRE AFTER MAKING ALL CONNECTIONS AND BUNDLE AND SECURE WITH TIE-WIRE 8343-01-000 OR 93147-01-000.

FIRST USED	
06 D-SERIES	
DO NOT SCALE DRAWING	
TITLE: WIRING INSTL-EXTERIOR LAMPS	
SHEET 2	PART NO 152103 REV



- NOTES:
- (4) WIRE ROUTED THRU FLOOR AND BEHIND HEADBOARD
 - (3) CONNECTOR-PLUG, TRAILER 146246-01-000 TO BE SUPPLIED IN COACH WITH (240)
 - (2) WIRE TO BE ROUTED ON BACK SIDE OF RISER.
 - (1) WIRE TIE 8343-02. FASTEN TO FRAME AT LEAST ONCE EVERY 600MM.

- (1PN) WORKHORSE 20,700#-19.5 TIRE
- (16M) FORD CHASSIS 20,500#/V10 ENG
- (16H) FORD CHASSIS 18,000#/V10 ENG
- (1PM) WORKHORSE CHASSIS-18,000LB.
- (1PC) WORKHORSE CH. 15,000LB. GVWR
- (240) TRAILER HITCH

FOR ELECTRICAL TORQUE SPECIFICATIONS SEE DWG NO. 128783-01-000

(X-X) FOR ELECTRICAL CALLOUTS SEE DWG NO. 121339-01-000

FIRST USED	
06 D-SERIES	
DO NOT SCALE DRAWING	
TITLE: WIRING INSTL-EXTERIOR LAMPS	
SHEET 3	PART NO 152103 REV