

FRONT OF COACH

- 6 VENT PIPE MUST PROJECT 51 MIN AND 64 MAX ABOVE ROOF FOR PROPER FIT AND FUNCTION.
5. SEAL AROUND SHOWER WITH SILICONE.
  4. ALL EXTERIOR OPENINGS AROUND PIPE TO BE SEALED WITH 131264-03-000.
  3. ALL PIPE AND FITTINGS TO BE ASSEMBLED WITH SOLVENT 4020-01-000 (US), 4020-02-000 (CAN).
  2. SLOPE OF TRAP ARM MUST BE 6 PER 305 mm.
  1. SLOPE OF HORIZONTAL PIPING TO BE MIN 3 PER 305 mm.

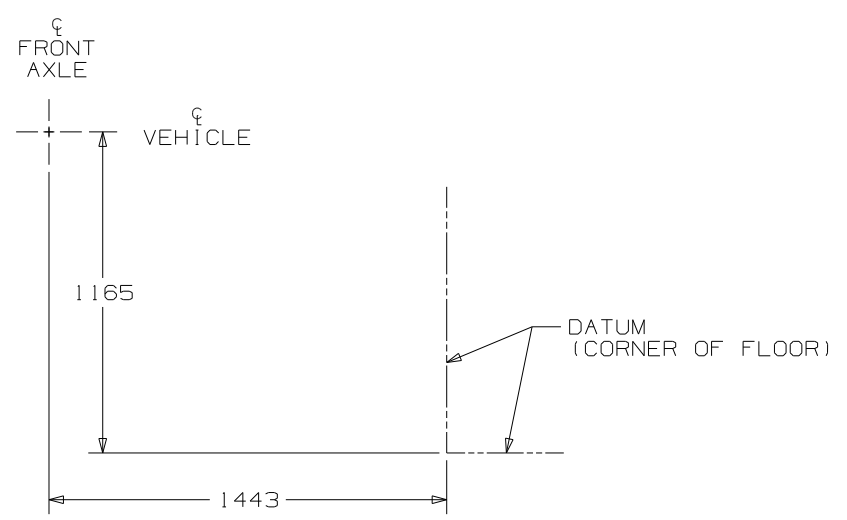
NOTES:

(B1) CODES/STANDARDS-USA  
 (265) CODES/STDS-CMVSS, CSA

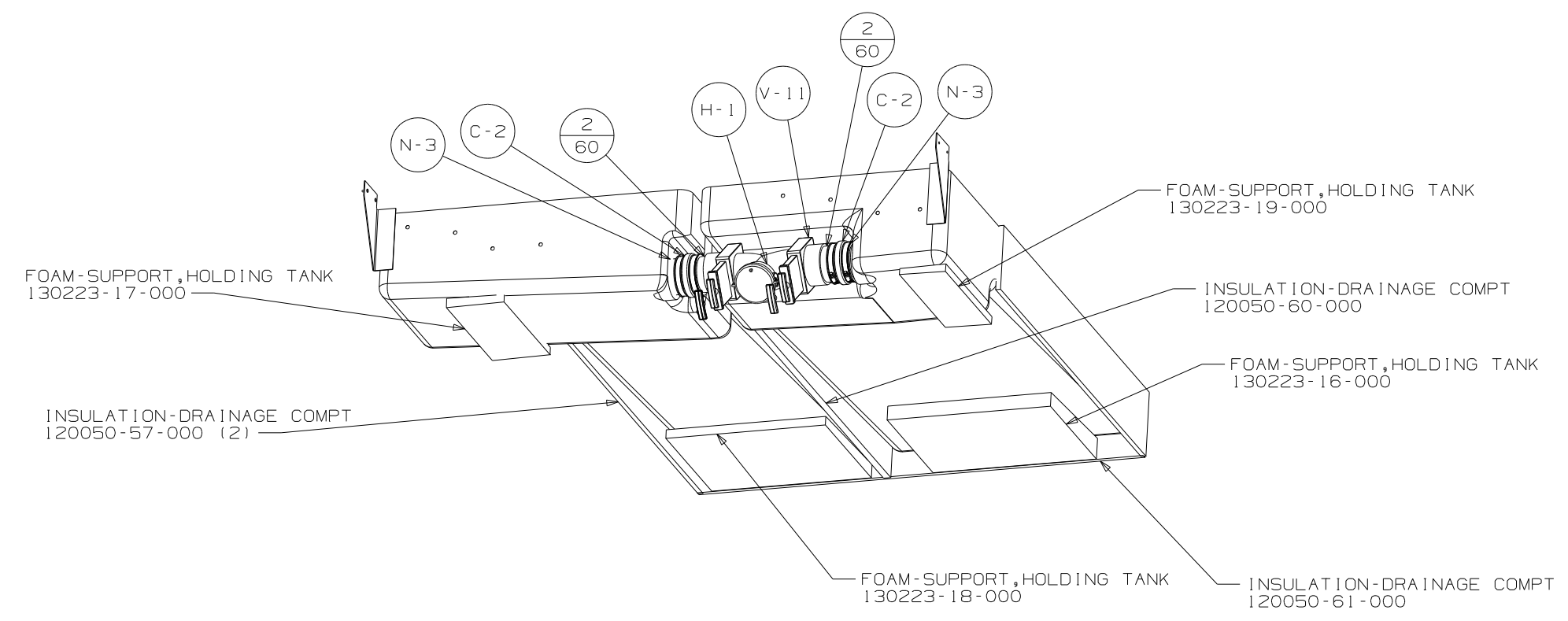
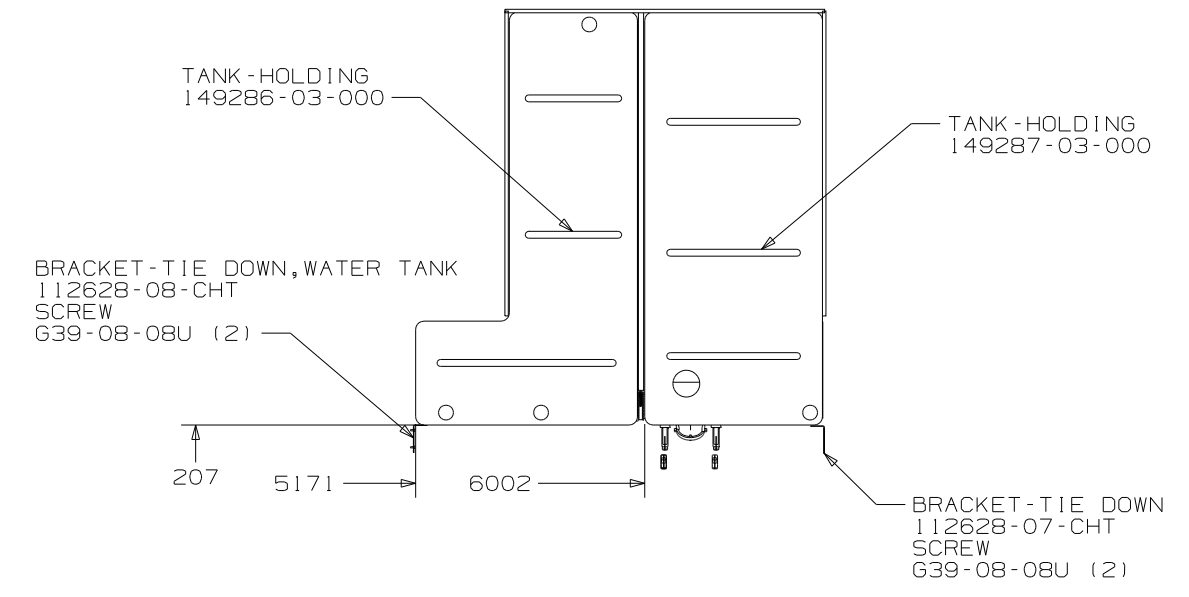
<b>WINNEBAGO</b>		COPYRIGHT 2006 WINNEBAGO INDUSTRIES, INC.	
D/FR	ORIG. DATE	ALL DIMENSIONS ARE IN MILLIMETERS	
CHKR		FIRST USED	
P.E.		06 729H	
M.E.		UNSPECIFIED TOLERANCES ARE:	
DSNR		MATERIAL:	
		WHOLE DIM (X)	: 3
		ONE-PLACE (X.X)	: 1.5
		TWO-PLACE (X.XX)	: 0.50
		ANGLE	: 1°
THIRD ANGLE PROJECTION		DO NOT SCALE DRAWING	
TITLE: DRAINAGE SYSTEM INSTL			
SHEET 1 OF 3	PART NO	155043	REV
REF:	1 6/13/2006		

(X-X)  
 FOR DRAINAGE CALLOUTS  
 SEE DWG NO 116229-01-000





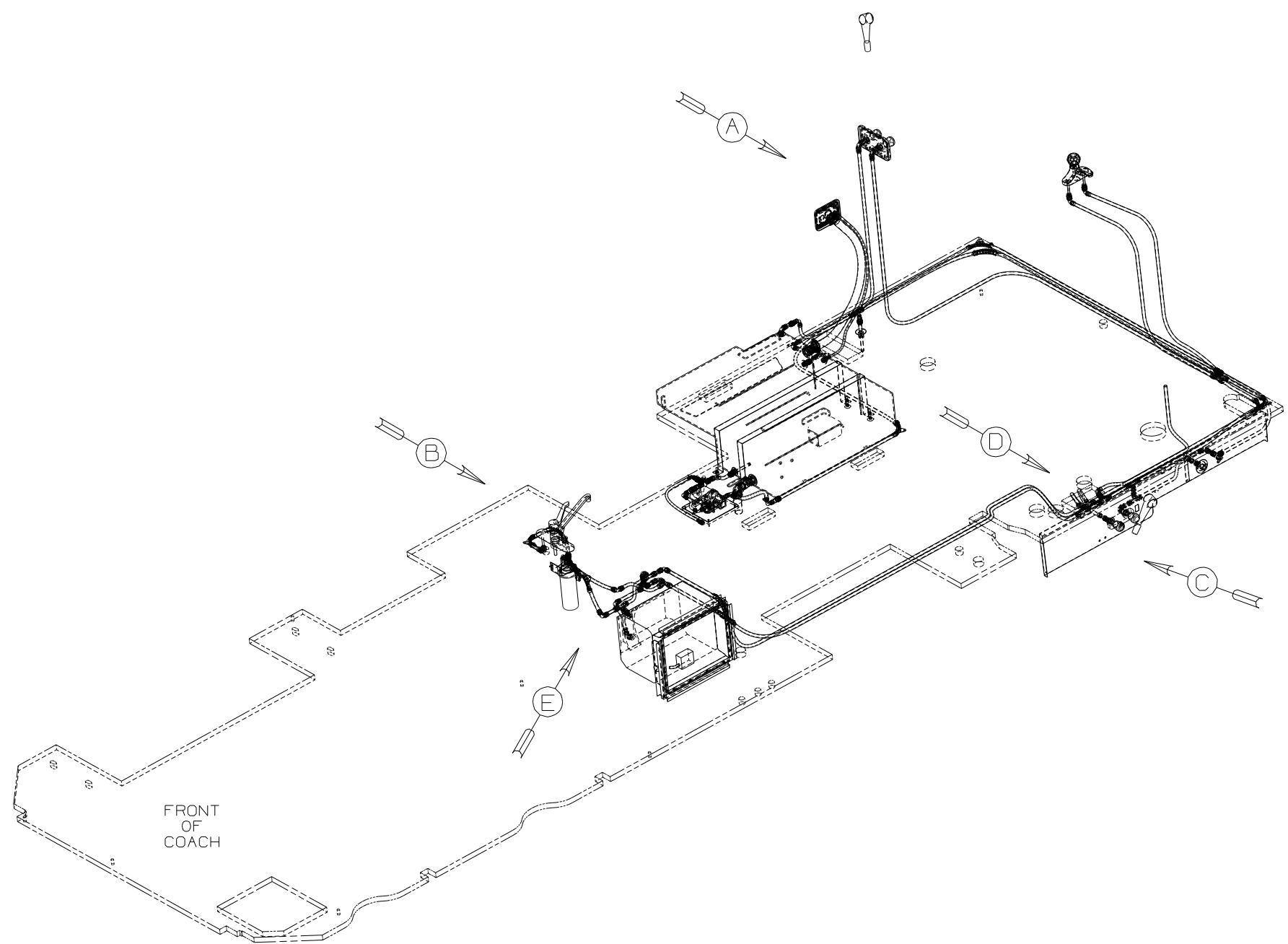
VIEW D



VIEW E

FIRST USED	06 729H	
TITLE	DO NOT SCALE DRAWING	
	DRAINAGE SYSTEM INSTL	
SHEET 3	PART NO 155043	REV

8 7 6 5 4 3 2



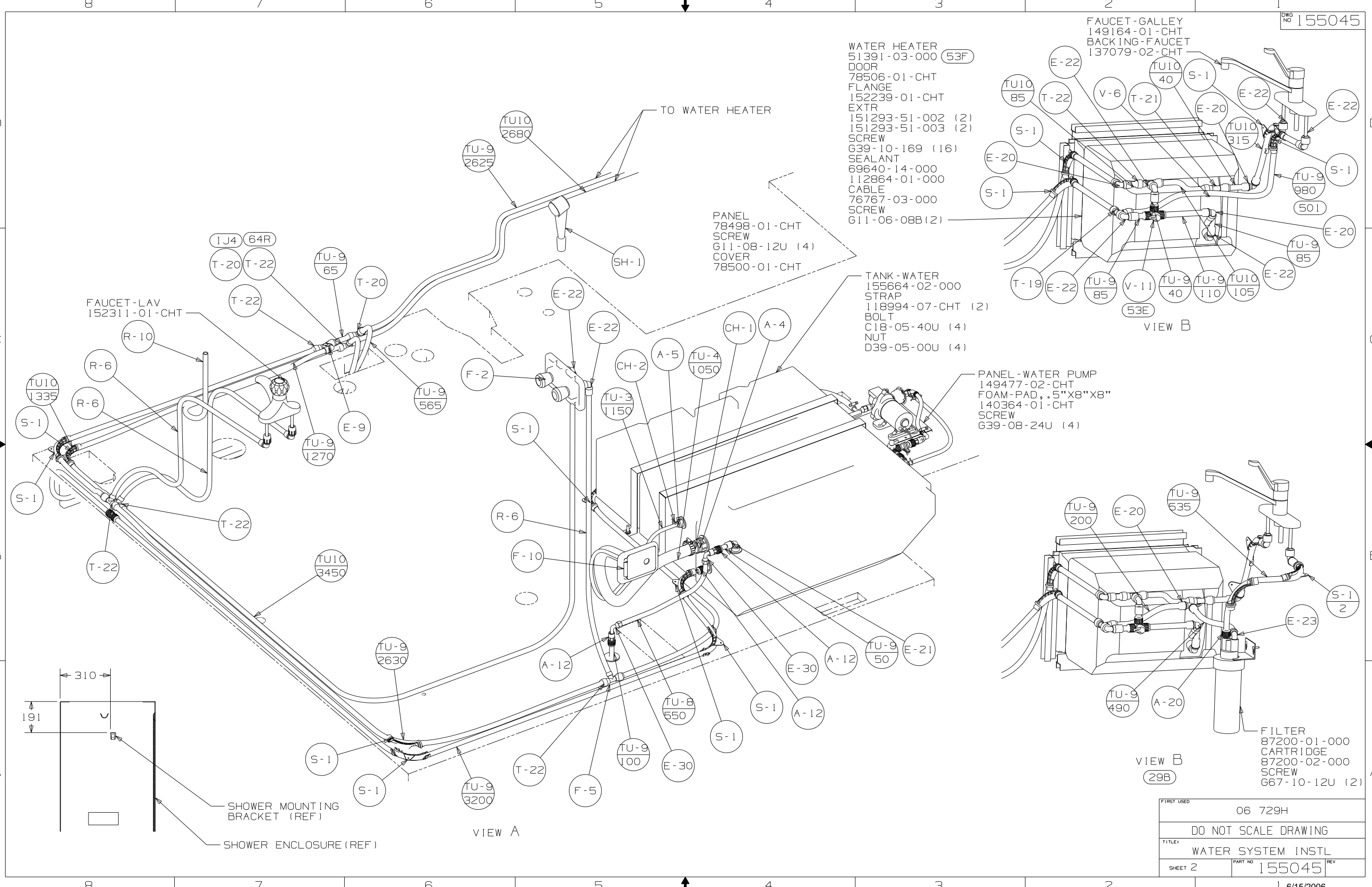
- (53F) WATER HEATER-ELEC, IGNITION
- (29B) WATER PURIFIER
- (50I) WATER PURIFIER WITHOUT
- (53E) WATER SYS WINTERIZATION PKG
- (64R) EXTERIOR WASH STATION
- (1J4) EXT WASH STATION-WITHOUT
- (1H6) AIR SPRINGS-WITHOUT

- NOTES:
- 5 ADD TEFLON TAPE 10405-01-000.
  - 4 ADD TEFLON TAPE 10405-02-000.
  - 3. ALL TUBING TO BE SECURED AT 1200 INTERVALS MAXIMUM WITH CLAMP 10495-01-000 AND SCREW G67-10-12B OR EQUIVALENT.
  - 2. TUBING TO BE INSTALLED WITH SUFFICIENT SLOPE TO PROVIDE DRAINAGE TO NEAREST VALVE.
  - 1. PLASTIC FITTINGS TO BE SEALED WITH SEALANT 84456-01-000.

<b>WINNEBAGO</b>		COPYRIGHT 2006 WINNEBAGO INDUSTRIES, INC.	
DFTR	ORIG. DATE	ALL DIMENSIONS ARE IN MILLIMETERS	
CHKR		FIRST USED	
P.E.		06 729H	
M.E.		UNSPECIFIED TOLERANCES ARE:	
DSNR		MATERIAL:	
		WHOLE DIM (X)	: 3
		ONE-PLACE (X.X)	: 1.5
		TWO-PLACE (X.XX)	: 0.50
		ANGLE	: 1°
THIRD ANGLE PROJECTION		DO NOT SCALE DRAWING	
TITLE: WATER SYSTEM INSTL			
SHEET 1 OF 3	PART NO	155045	REV
REF	1 6/15/2006		

(X-X)  
FOR WATER CALLOUTS SEE DWG NO 116230-01-000

8 7 6 5 4 3 2



- WATER HEATER
- 51391-03-000 (53F)
- DOOR
- 78506-01-CHT
- FLANGE
- 152239-01-CHT
- EXTR
- 151293-51-002 (2)
- 151293-51-003 (2)
- SCREW
- G39-10-169 (16)
- SEALANT
- 69640-14-000
- 112864-01-000
- CABLE
- 76767-03-000
- SCREW
- G11-06-08B (2)

- PANEL
- 78498-01-CHT
- SCREW
- G11-08-12U (4)
- COVER
- 78500-01-CHT

- TANK-WATER
- 155664-02-000
- STRAP
- 118994-07-CHT (2)
- BOLT
- C18-05-40U (4)
- NUT
- D39-05-00U (4)

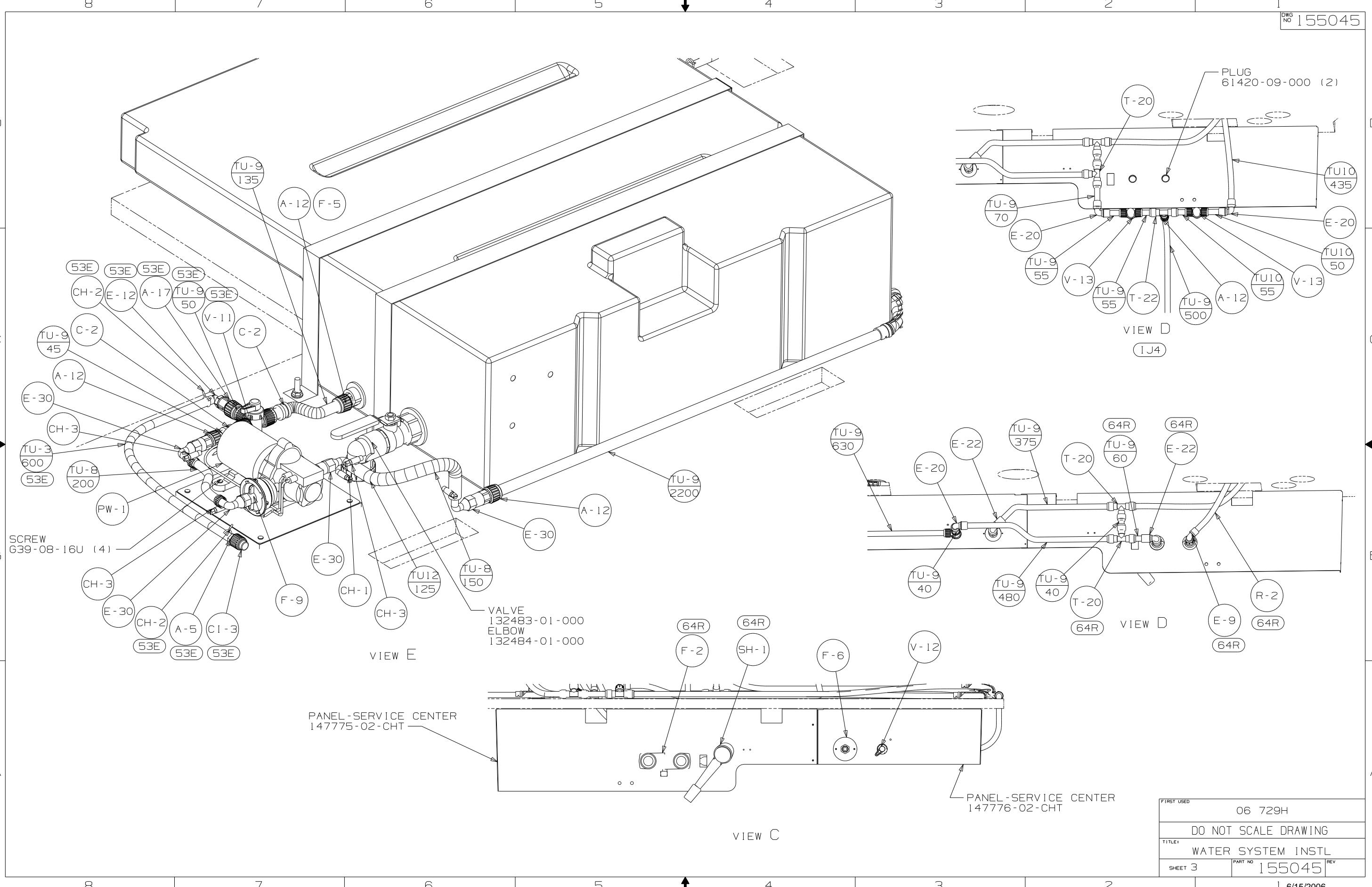
- PANEL-WATER PUMP
- 149477-02-CHT
- FOAM-PAD, .5"X8"X8"
- 140364-01-CHT
- SCREW
- G39-08-24U (4)

- FAUCET-GALLEY
- 149164-01-CHT
- BACKING-FAUCET
- 137079-02-CHT

VIEW B  
(29B)

- FILTER
- 87200-01-000
- CARTRIDGE
- 87200-02-000
- SCREW
- G67-10-12U (2)

FIRST USED	06 729H		
TITLE	DO NOT SCALE DRAWING		
TITLE	WATER SYSTEM INSTL		
SHEET 2	PART NO	155045	REV



FIRST USED	06 729H
TITLE	DO NOT SCALE DRAWING
TITLE	WATER SYSTEM INSTL
SHEET 3	PART NO 155045 REV
I 6/15/2006	