



**DANGER**

**Danger of electrical shock, burns or death.** Always remove all power sources before attempting any repair, service or diagnostic work. Power can be present from shore power, generator, inverter or battery. All power sources must be disabled and secured before performing any service.

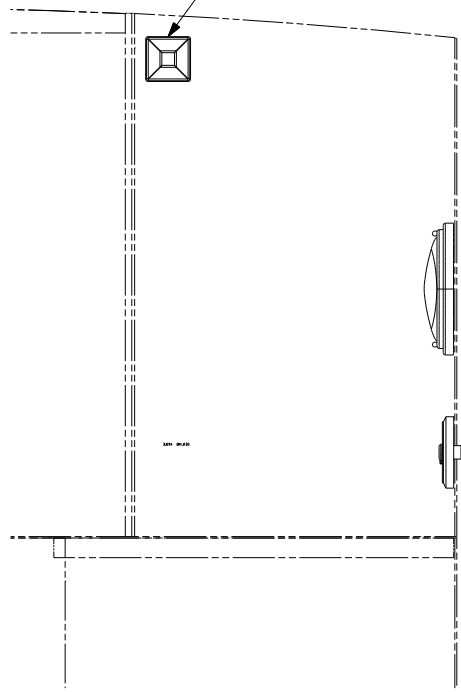


**CAUTION**

If you lack the skills, tools or equipment to perform diagnostic or repair work leave such work to an authorized Winnebago Industries dealer or other qualified shop.

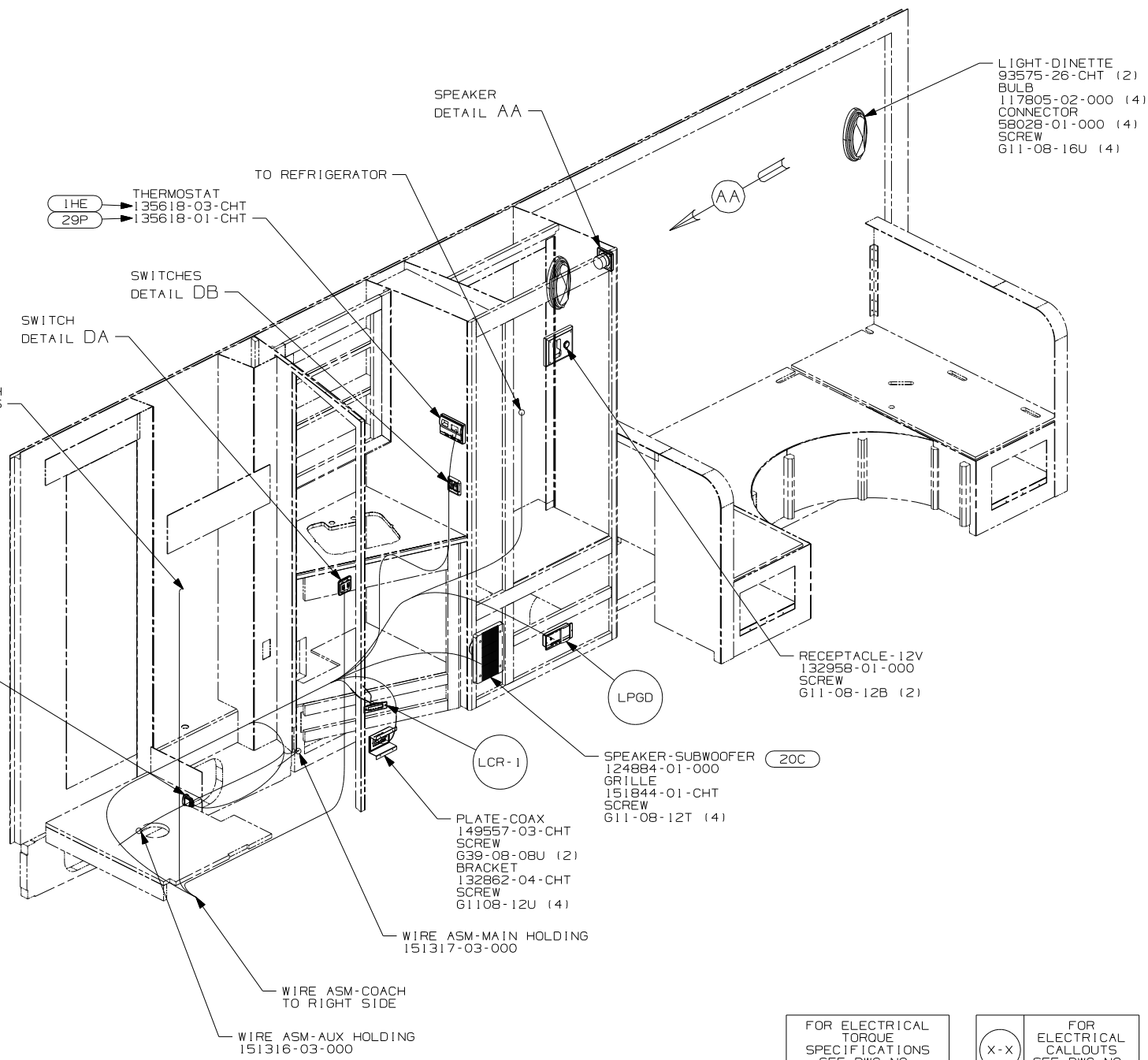
SPEAKER-CUBE  
148026-03-000  
SPEAKER-GRILLE,CUBE  
148026-02-CHT  
SCREW  
611-08-08U (4)

20C



DETAIL AA

1HE THERMOSTAT  
135618-03-CHT  
29P 135618-01-CHT



LIGHT-DINETTE  
93575-26-CHT (2)  
BULB  
117805-02-000 (4)  
CONNECTOR  
58028-01-000 (4)  
SCREW  
611-08-16U (4)

SWITCH-PUMP  
108357-15-000  
ACTUATOR  
108356-04-DHT

RECEPTACLE-12V  
132958-01-000  
SCREW  
611-08-12B (2)

SPEAKER-SUBWOOFER  
124884-01-000  
GRILLE  
151844-01-CHT  
SCREW  
611-08-12T (4)

PLATE-COAX  
149557-03-CHT  
SCREW  
639-08-08U (2)  
BRACKET  
132862-04-CHT  
SCREW  
61108-12U (4)

WIRE ASM-MAIN HOLDING  
151317-03-000

WIRE ASM-COACH  
TO RIGHT SIDE

WIRE ASM-AUX HOLDING  
151316-03-000

- 29P AC HEAT PUMP-1 HI EFFICIENCY
- 20C SOUND SYS. DLX. W/O-SURROUND
- 1HE A/C ROOF-HI EFF LOW PROFILE
- 265 CODES/STANDARDS-CSA/CMVSS
- 1B1 CODES/STANDARDS USA

1B1 265



DFTR	ORIG. DATE
CHKR	ALL DIMENSIONS ARE IN MILLIMETERS
P.E.	
M.E.	FIRST USED
DSNR	06 726A
UNSPECIFIED TOLERANCES ARE:	MATERIAL:
HOLE DIM (X)	:
ONE-PLACE (X.X)	:
TWO-PLACE (X.XX)	:
ANGLE	:
THIRD ANGLE PROJECTION	

DO NOT SCALE DRAWING

TITLE: WIRING INSTL-BODY, 12V  
SHEET 1 of 6 PART NO 155155 REV

FOR ELECTRICAL TORQUE SPECIFICATIONS SEE DWG NO. 128783-01-000

X-X FOR ELECTRICAL CALLOUTS SEE DWG NO. 121339-01-000

- SPEAKER-CUBE  
148026-03-000  
SPEAKER-GRILLE,CUBE  
148026-02-CHT  
SCREW  
G11-08-08U (4)
- SLIDEOUT SWITCH  
DETAIL DF
- MONITOR PANEL  
134940-06-CHT  
134940-07-CHT  
SCREW  
G11-08-12U (6)

VIEW BB

- WIRE ASM-AMPLIFIER  
124882-11-000  
RELAY  
63912-02-000

- AMPLIFIER  
124881-02-000  
BRACKET-AMPLIFIER  
150077-01-CHT  
SCREW  
G39-08-08U (4)

- SPEAKER  
DETAIL BB

- TO WIRE ASM-ROOF
- ANTENNA GROUND

- COAX ADAPTORS  
DETAIL CE

- TO RANGE HOOD
- LIGHT-WARDROBE  
87694-01-00  
SCREW  
G11-10-12U (2)  
CONNECTOR  
58028-01-000 (2)  
WASHER-PLASTIC  
87080-02-CHT

- TO WIRE ASM-SIDEWALL

- SWITCH  
DETAIL DD

- SWITCHES  
DETAIL DE

- RADIOS-TWO WAY,DOCK STATION  
141679-03-000  
RADIOS-TWO WAY  
141679-05-000 (4)  
SCREW  
76790-01-000 (4)

- LOAD CENTER  
DETAIL CA

- PLATE-SWITCH  
98351-07-CHT  
SWITCH-BATTERY  
DISCONNECT  
108357-06-000  
ACTUATOR-SWITCH  
108356-11-CHT  
SCREW  
G11-06-10U (2)

VIEW BA

- SWITCHES  
DETAIL DC

- DOOR SWITCH  
DETAIL CB

- ENTERTAINMENT  
CENTER COMPL  
144818-04-000

- TO FURNACE

- WIRE ASM-COACH  
154569-01-000

- TO WATER PUMP  
RED-JS  
BLK-JY

- WIRE ASM-WATER TANK  
151317-01-000

- WIRE ASM-COACH  
TO LEFT SIDE

- CONNECTS TO  
WATER HEATER

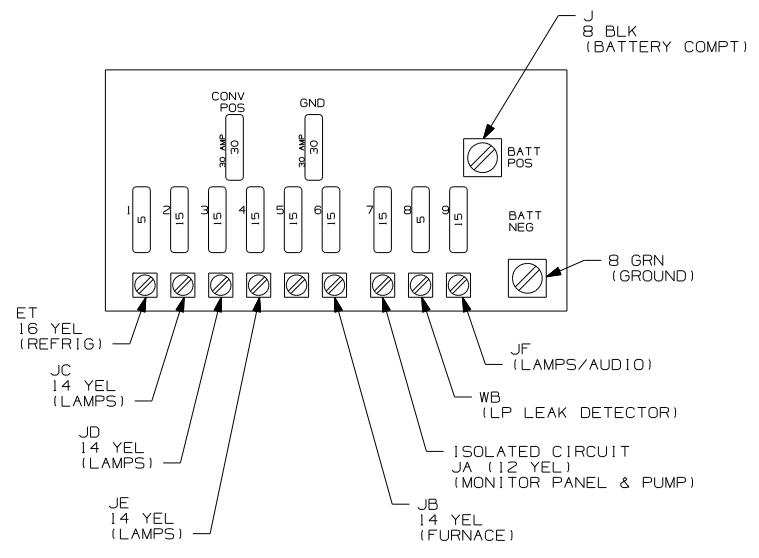
- 50H RADIOS TWO-WAY (4)
- 40N GEN-4.0KW-ONAN-GAS-MICROLITE
- 20C SOUND SYS. DLX. W/O-SURROUND
- 1D5 ENTERTAINMENT CENTR/EXT W/CD
- 1A3 GENERATOR WITHOUT
- 265 CODES/STANDARDS-CSA/CMVSS
- 1B1 CODES/STANDARDS USA

- 1B1 265

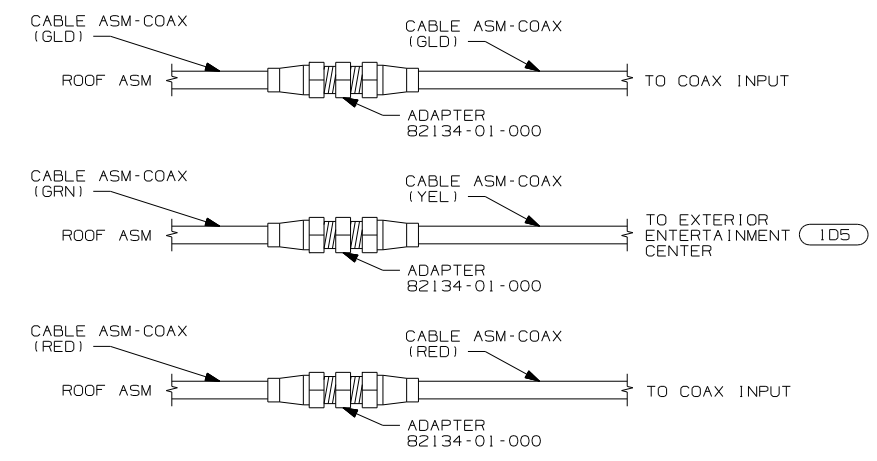
FOR ELECTRICAL  
TORQUE  
SPECIFICATIONS  
SEE DWG NO.  
128783-01-000

X-X  
FOR  
ELECTRICAL  
CALLOUTS  
SEE DWG NO.  
121339-01-000

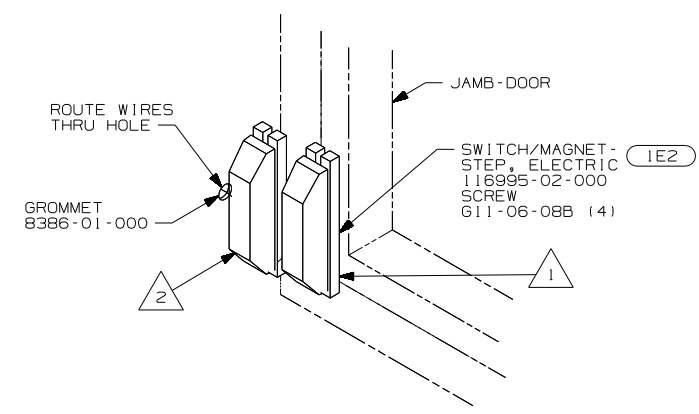
FIRST USED	06 726A
TITLE	DO NOT SCALE DRAWING
	WIRING INSTL-BODY, 12V
SHEET 2	PART NO 155155 REV



DETAIL CA



DETAIL CE



DETAIL CB

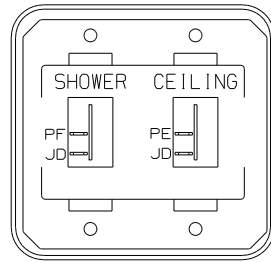
- NOTES:
- 2 MOUNT SWITCH AND SPACER TO BLOCK ON JAMB. ADJUST HEIGHT TO MATCH MAGNET.
  - 1 MOUNT MAGNET USING PILOT HOLES IN SCREEN DOOR FRAME. MOUNT WITH MAGNET TOWARD SWITCH.

- 1E2 ENTRANCE STEP-ELEC.
- ID5 ENTERTAINMENT CENTER/EXT W/CD
- 265 CODES/STANDARDS-CSA/CMVSS
- 1B1 CODES/STANDARDS USA

FOR ELECTRICAL TORQUE SPECIFICATIONS SEE DWG NO. 128783-01-000

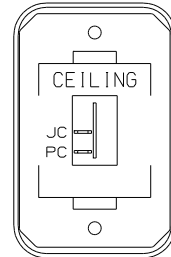
FOR ELECTRICAL CALLOUTS SEE DWG NO. 121339-01-000

FIRST USED	06 726A
TITLE	DO NOT SCALE DRAWING
	WIRING INSTL-BODY, 12V
SHEET 3	PART NO 155155 REV



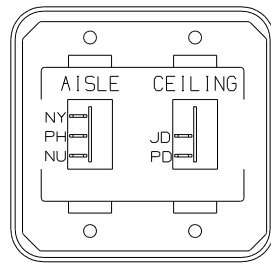
SWITCH-ROCKER  
135740-01-CHT (2)  
SWITCH-BASE  
135741-02-CHT  
SWITCH-BEZEL  
135742-15-CHT  
SCREW  
G11-08-08U (4)

DETAIL DA



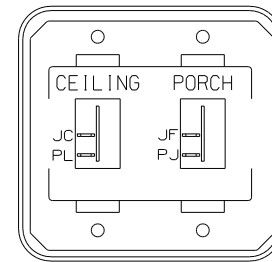
SWITCH-ROCKER  
135740-01-CHT  
SWITCH-BASE  
135741-01-CHT  
SWITCH-BEZEL  
135742-07-CHT  
SCREW  
G11-08-08U (2)

DETAIL DD



SWITCH-ROCKER  
135740-01-CHT  
135740-02-CHT  
SWITCH-BASE  
135741-02-CHT  
SWITCH-BEZEL  
135742-13-CHT  
SCREW  
G11-08-08U (4)

DETAIL DB



SWITCH-ROCKER  
135740-01-CHT (2)  
SWITCH-BASE  
135741-02-CHT  
SWITCH-BEZEL  
135742-19-CHT  
SCREW  
G11-08-08U (4)

DETAIL DE

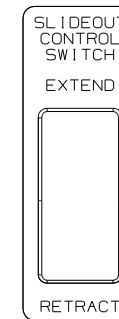
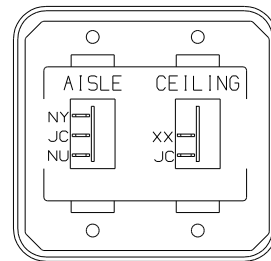


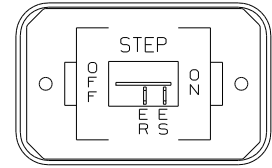
PLATE-SWITCH  
144363-09-CHT  
SWITCH  
108357-06-000  
ACTUATOR  
108356-02-CHT  
NUT  
D65-08-00B (2)  
LABEL  
116220-01-000

DETAIL DF



SWITCH-ROCKER  
135740-01-CHT  
135740-02-CHT  
SWITCH-BASE  
135741-02-CHT  
SWITCH-BEZEL  
135742-13-CHT  
SCREW  
G11-08-08U (4)

DETAIL DC



SWITCH-ROCKER  
135740-01-CHT  
SWITCH-BASE  
135741-01-CHT  
SWITCH-BEZEL  
135742-11-CHT  
SCREW  
G11-08-08U (2)

DETAIL DE

**WARNING** UNDERSTAND OPERATOR'S MANUAL BEFORE USING  
KEEP PEOPLE AND OBSTRUCTIONS CLEAR OF  
SLIDEOUT ROOM WHEN OPERATING TO AVOID  
INJURY AND/OR PROPERTY DAMAGE

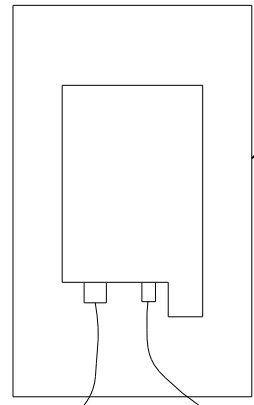
LABEL-WARNING  
116549-01-000

- IE2 ENTRANCE STEP-ELEC.
- 265 CODES/STANDARDS-CSA/CMVSS
- 1B1 CODES/STANDARDS USA

FIRST USED	06 726A
DO NOT SCALE DRAWING	
TITLE:	WIRING INSTL-BODY, 12V
SHEET 4	PART NO 155155 REV

FOR ELECTRICAL  
TORQUE  
SPECIFICATIONS  
SEE DWG NO.  
128783-01-000

FOR  
ELECTRICAL  
CALLOUTS  
SEE DWG NO.  
121339-01-000

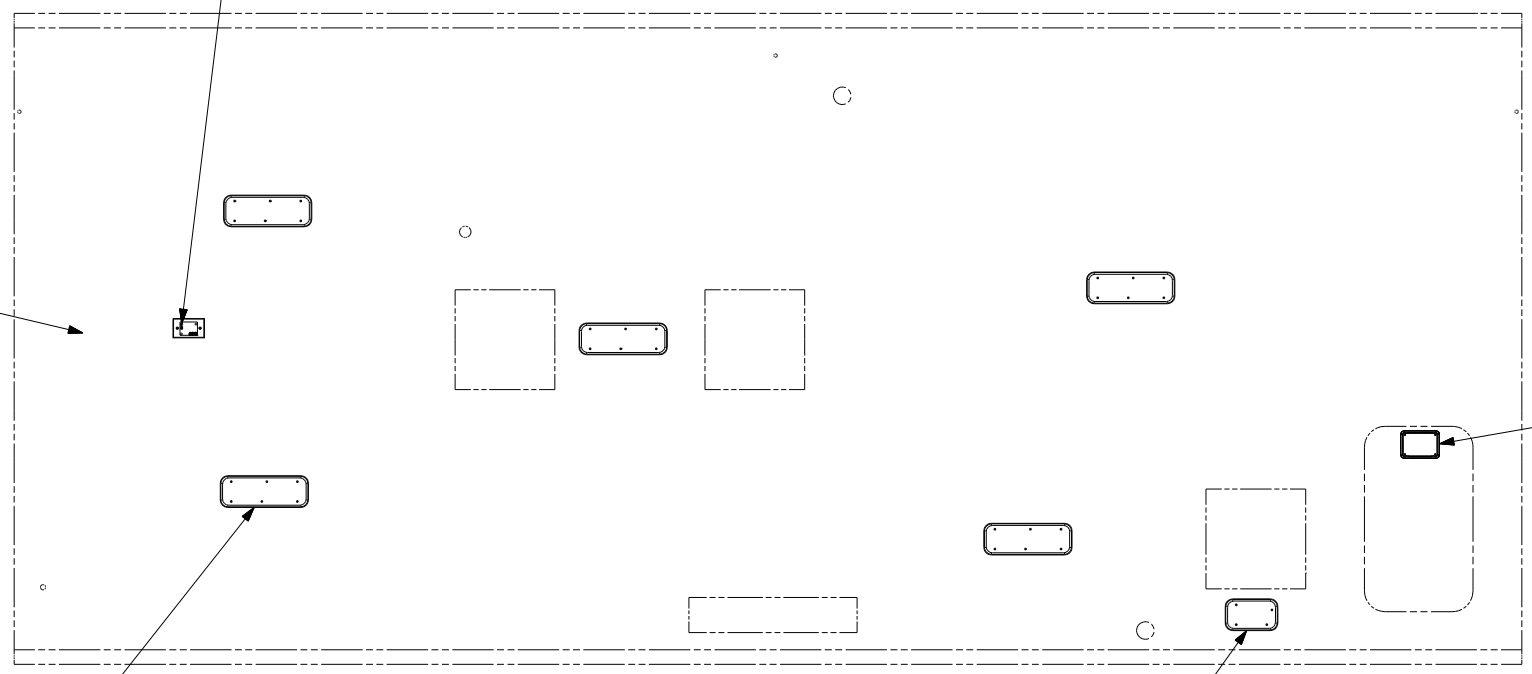


3 PIN HOUSING FROM WIRE ASM-ELEVATION SENSOR  
2 PIN HOUSING FROM WIRE ASM-ROOF

DETAIL EA 480

SATELLITE ELEVATION SENSOR  
DETAIL EA

20C SPEAKER-CUBE  
151314-01-CHT  
SCREW  
668-06-12U (4)



LFSN2  
5

LFIN2

LSH-1

- 480 SATELLITE DISH & ELEV.SENSOR
- 20C SOUND SYS. DLX.W/O-SURROUND
- 265 CODES/STANDARDS-CSA/CMVSS
- 1B1 CODES/STANDARDS USA

1B1 265

2 SENSOR SUPPLIED WITH SATELLITE ASSEMBLY.

1. SEE ROOF ASM FOR ADDITIONAL INFORMATION.

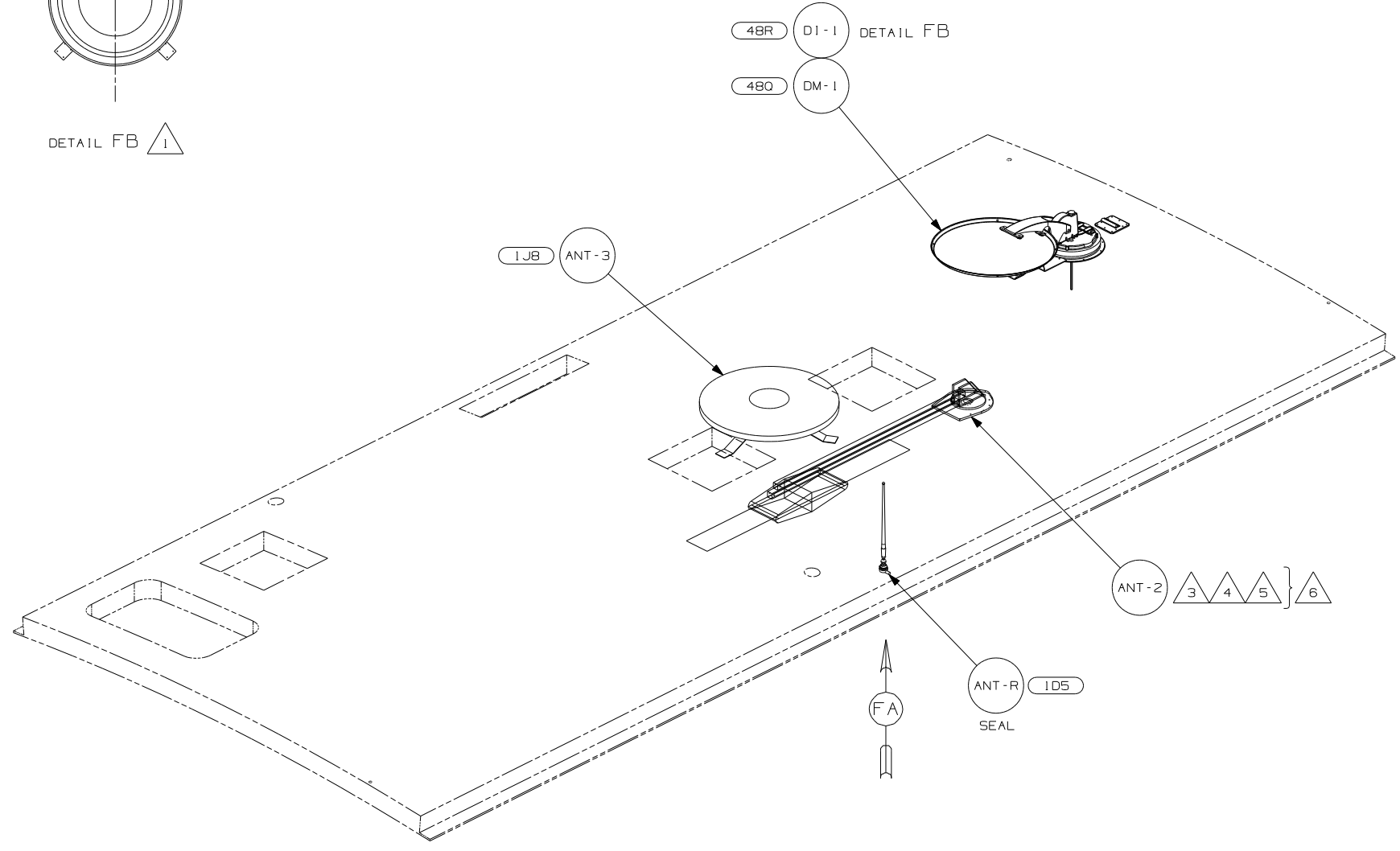
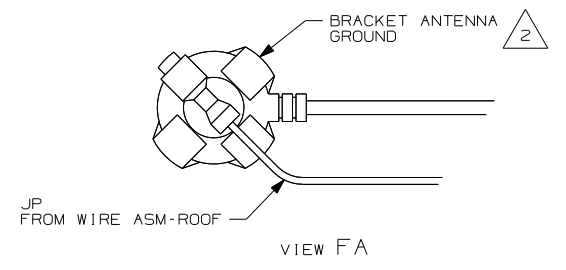
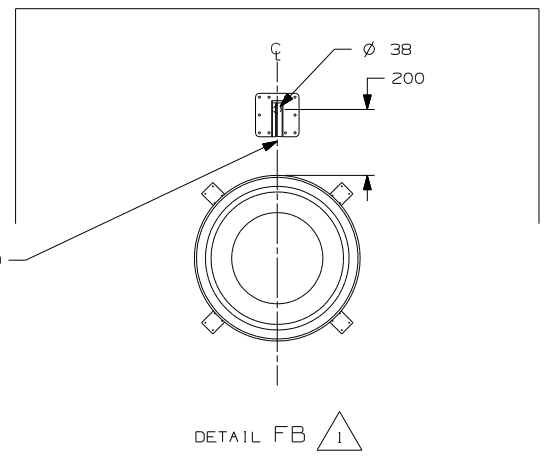
NOTES:

FOR ELECTRICAL TORQUE SPECIFICATIONS SEE DWG NO. 128783-01-000

FOR ELECTRICAL CALLOUTS SEE DWG NO. 121339-01-000

FIRST USED	06 726A
TITLE	DO NOT SCALE DRAWING
TITLE	WIRING INSTL-BODY, 12V
SHEET 5	PART NO 155155 REV

THE COAX CONNECTION IS TO BE PLACED ON THE CENTERLINE OF THE MOTORHOME FACING FORWARD



- 6 NOT USED WITH 1JB
- 5 ADD RUBBER BUMPERS TO ROOF UNDER EACH END OF ANTENNA IN DOWN POSITION.
- 4 LOCATE CLIP TO RETAIN CABLE BUT NOT TO RESTRICT ANTENNA.
- 3 SEE DRAWING 76319-01-000 FOR INSTALLATION OF TV ANTENNA.
- 2 WRAP BRACKET LEGS AROUND ANTENNA BASE.
- 1 REMOVE ALL SHIPPING RESTRAINTS AND FIRMLY INSERT THE SUPPLIED PLUGS INTO THE APPROPRIATE SIZED HOLES AS SPECIFIED IN THE INSTALLATION PROCESS.

NOTES:

- 48R SAT SYS IN-MOTION W/O RCVR
- 48Q SATELLITE DISH & ELEV.SENSOR
- 1JB TV ANTENNA-OMNIDIRECTIONAL
- 1D5 ENTERTAINMENT CENTR/EXT W/CD
- 265 CODES/STANDARDS-CSA/CMVSS
- 1B1 CODES/STANDARDS USA

FIRST USED	06 726A
DO NOT SCALE DRAWING	
TITLE:	WIRING INSTL -BODY, 12V
SHEET 6	PART NO 155155 REV

FOR ELECTRICAL TORQUE SPECIFICATIONS SEE DWG NO. 128783-01-000

FOR ELECTRICAL CALLOUTS SEE DWG NO. 121339-01-000