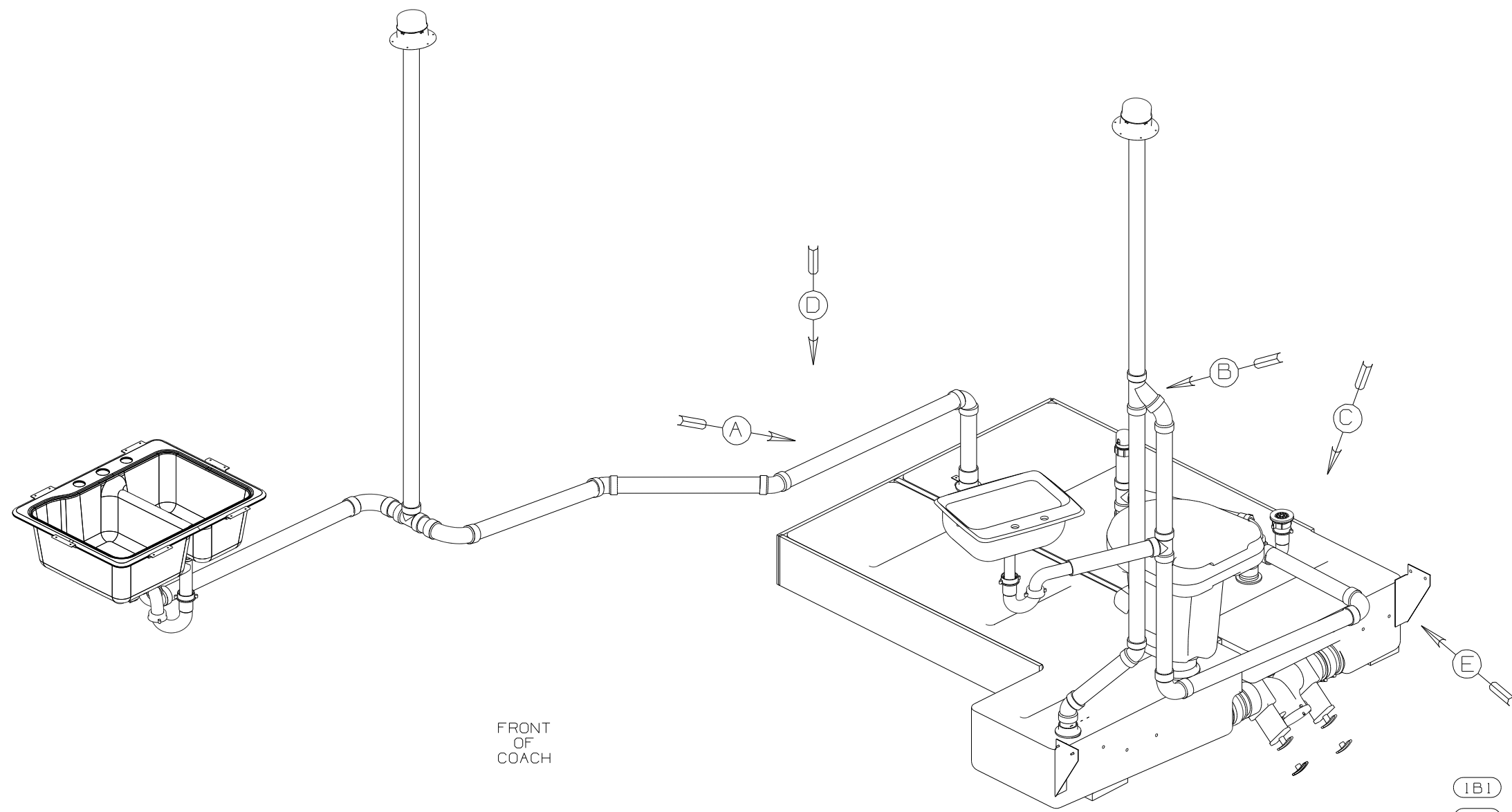


8 7 6 5 4 3 2



FRONT OF COACH

(B) CODES/STANDARDS-USA
 (265) CODES/STDS-CMVSS, CSA

6 VENT PIPE MUST PROJECT 51 MIN AND 64 MAX ABOVE ROOF FOR PROPER FIT AND FUNCTION.

- 5. SEAL AROUND SHOWER WITH SILICONE.
- 4. ALL EXTERIOR OPENINGS AROUND PIPE TO BE SEALED WITH 131264-03-000.
- 3. ALL PIPE AND FITTINGS TO BE ASSEMBLED WITH SOLVENT 4020-01-000 (US), 4020-02-000 (CAN).
- 2. SLOPE OF TRAP ARM MUST BE 6 PER 305 mm.
- 1. SLOPE OF HORIZONTAL PIPING TO BE MIN 3 PER 305 mm.

NOTES:

(X-X)
 FOR DRAINAGE CALLOUTS SEE DWG NO 116229-01-000

WINNEBAGO		COPYRIGHT 2006 WINNEBAGO INDUSTRIES, INC.	
D/FR	ORIG. DATE	ALL DIMENSIONS ARE IN MILLIMETERS	
CHKR		FIRST USED	
P.E.		06 726A	
M.E.		UNSPECIFIED TOLERANCES ARE:	
DSNR		MATERIAL:	
		WHOLE DIM (X)	: 3
		ONE-PLACE (X.X)	: 1.5
		TWO-PLACE (X.XX)	: 0.50
		ANGLE	: 1°
THIRD ANGLE PROJECTION		DO NOT SCALE DRAWING	
TITLE: DRAINAGE SYSTEM INSTL			
SHEET 1 OF 3	PART NO	154692	REV
REF:	1 6/13/2006		

8 7 6 5 4 3 2

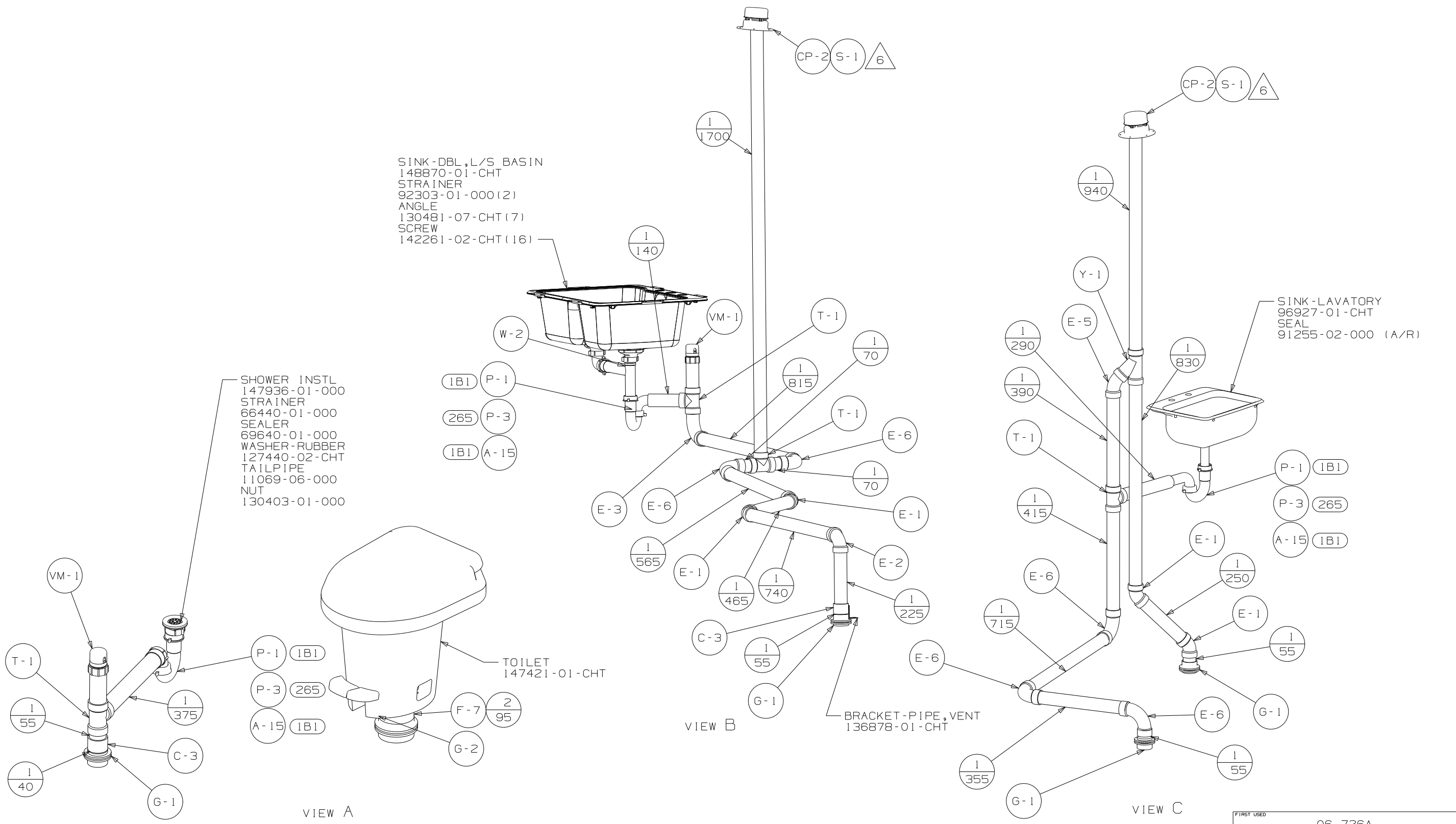
SINK-DBL,L/S BASIN
 148870-01-CHT
 STRAINER
 92303-01-000(2)
 ANGLE
 130481-07-CHT(7)
 SCREW
 142261-02-CHT(16)

SHOWER INSTL
 147936-01-000
 STRAINER
 66440-01-000
 SEALER
 69640-01-000
 WASHER-RUBBER
 127440-02-CHT
 TAILPIPE
 11069-06-000
 NUT
 130403-01-000

SINK-LAVATORY
 96927-01-CHT
 SEAL
 91255-02-000 (A/R)

TOILET
 147421-01-CHT

BRACKET-PIPE, VENT
 136878-01-CHT

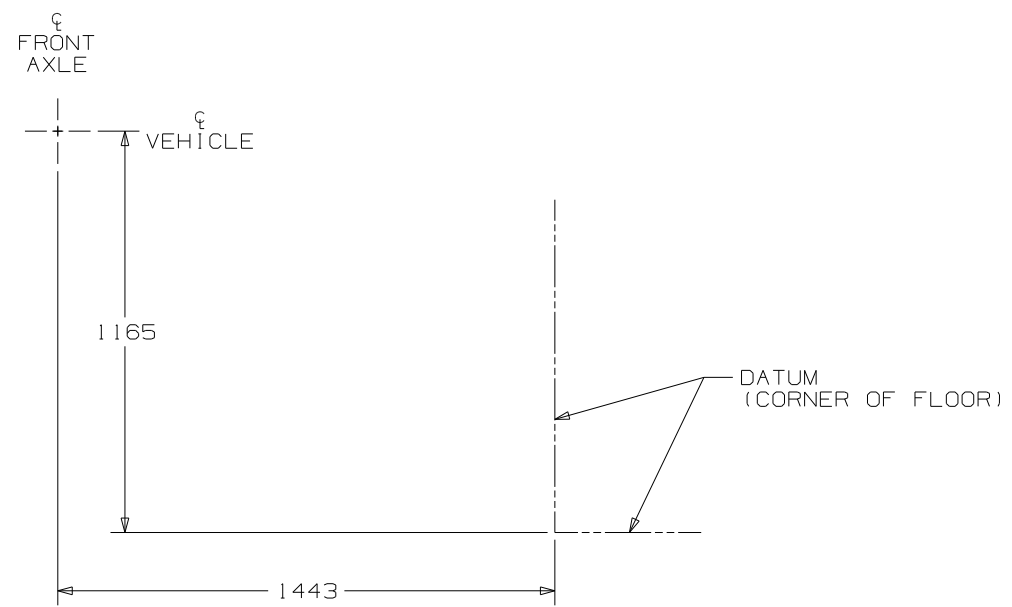


VIEW A

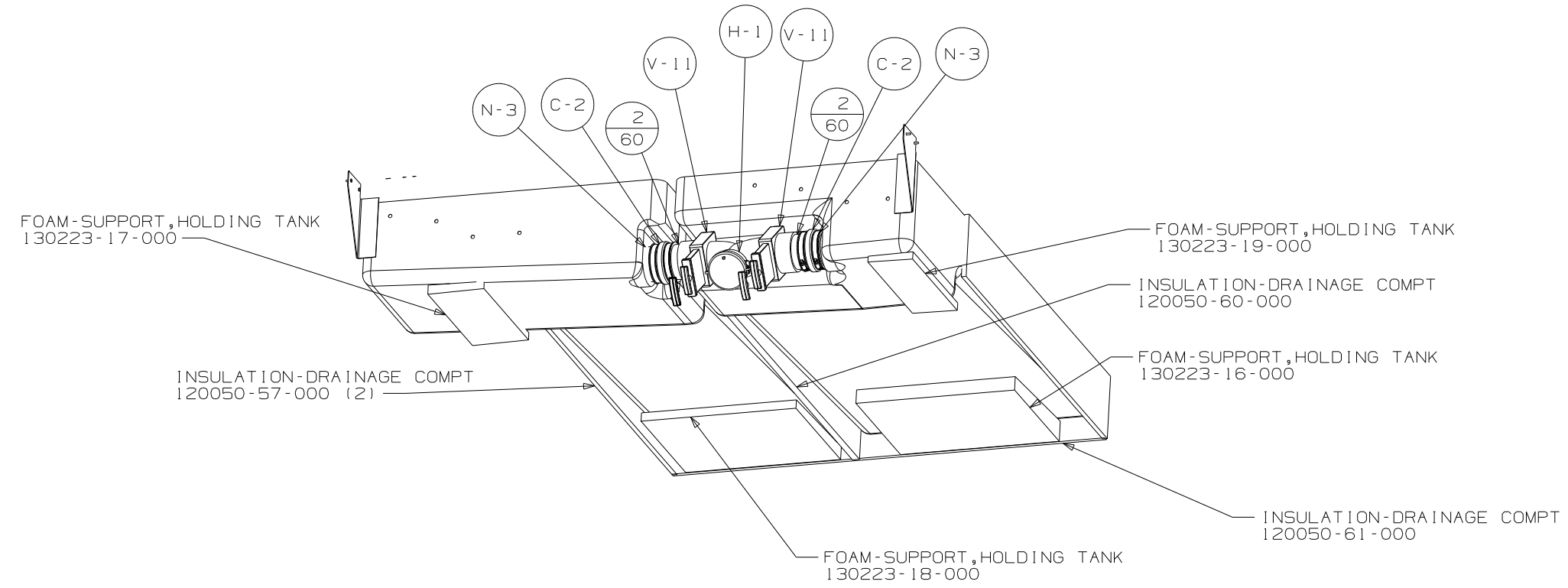
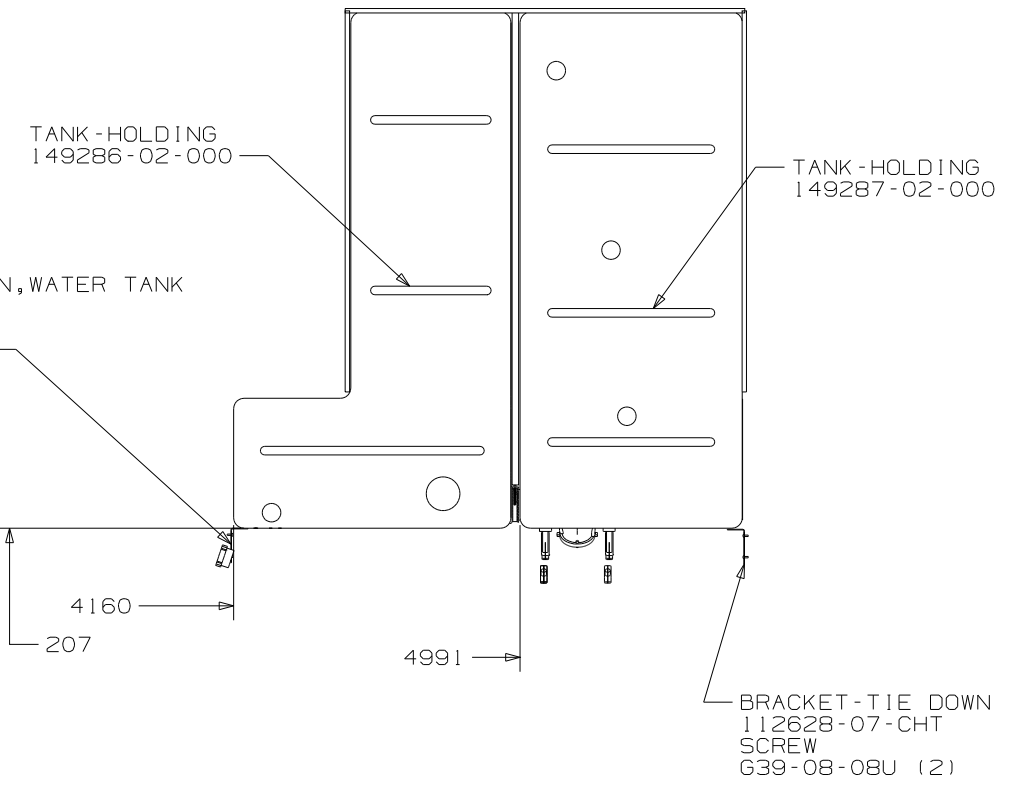
VIEW B

VIEW C

FIRST USED	06 726A	
TITLE	DO NOT SCALE DRAWING	
	DRAINAGE SYSTEM INSTL	
SHEET 2	PART NO	154692
	REV	



VIEW D

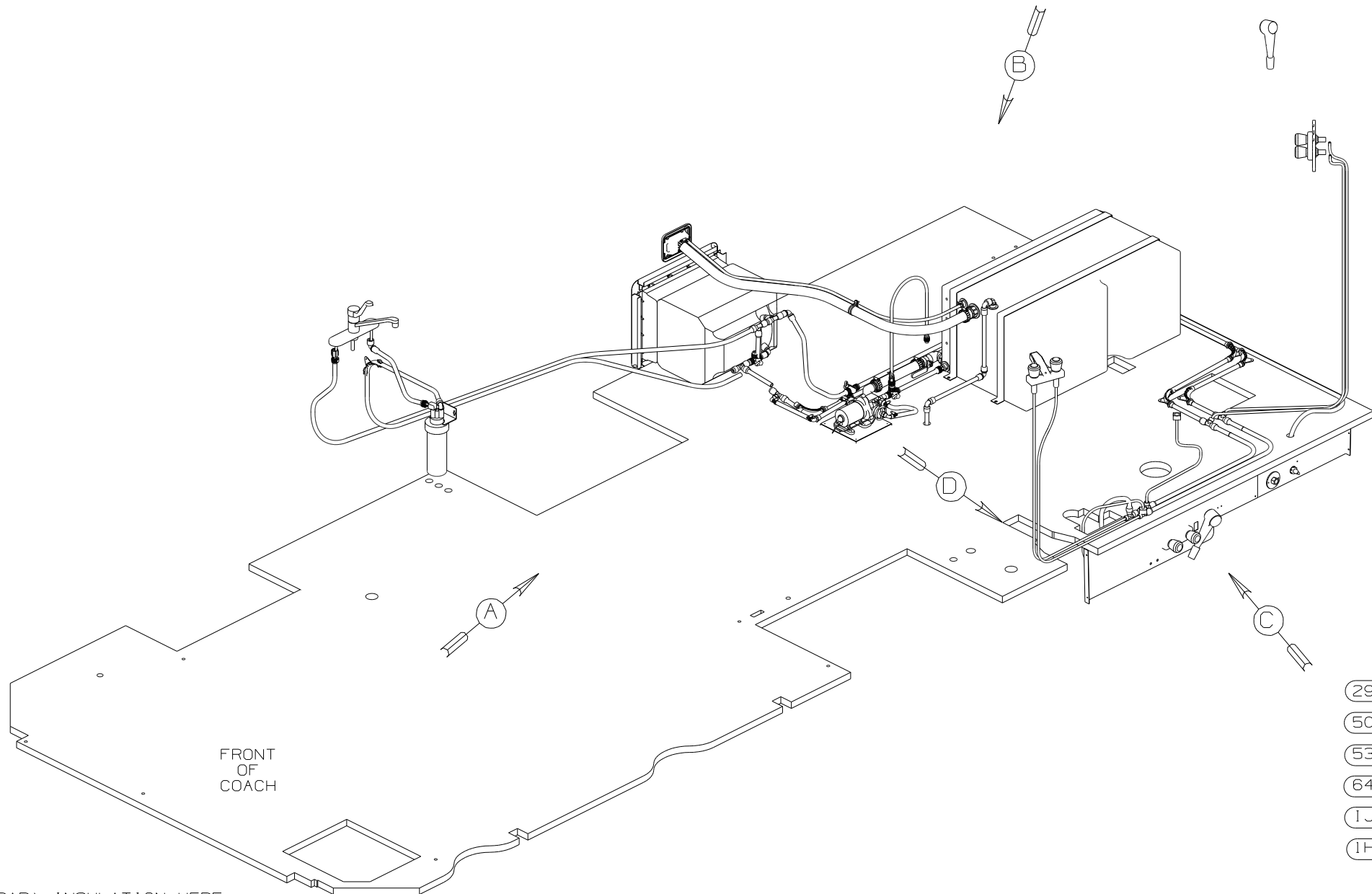


VIEW E

FIRST USED	06 726A
DO NOT SCALE DRAWING	
TITLE	DRAINAGE SYSTEM INSTL
SHEET 3	PART NO 154692 REV

DWG NO	----
154690-01	RH SHOWN
154690-02	LH OPPOSITE

RELEASE	REV DATE	DWG NO
A		154690
REV ZONE	REVISION RECORD	DATE
		DFT-016

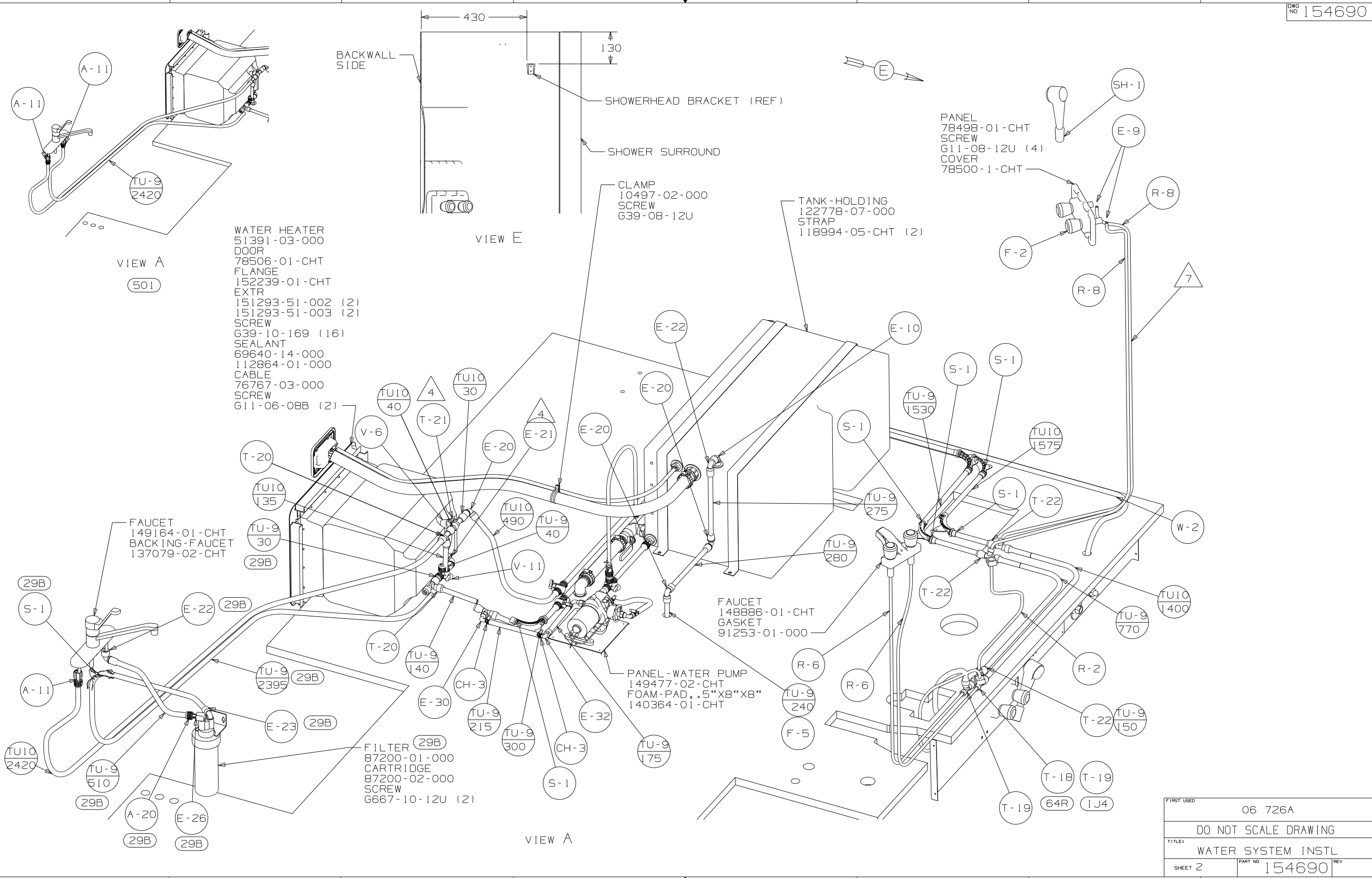


- (29B) WATER PURIFIER
- (50I) WATER PURIFIER W/O
- (53E) WATER SYS WINTERIZATION PKG
- (64R) EXTERIOR WASH STATION
- (1J4) EXTERIOR SHWR-W/O
- (1H6) AIR SPRING-WITHOUT

- NOTES:
7. ADD PIPE WRAP (LADDER SCRAP) INSULATION HERE
 6. ADD TEFLON TAPE 10405-03-000.
 5. ADD TEFLON TAPE 10405-02-000.
 4. ADD TEFLON TAPE 10405-01-000.
 3. ALL TUBING TO BE SECURED AT 1200 INTERVALS MAXIMUM WITH CLAMP 10495-01-000 OR CLIP 9151-01-000 AND SCREW G67-10-12B.
 2. TUBING TO BE INSTALLED WITH SUFFICIENT SLOPE TO PROVIDE DRAINAGE TO NEAREST VALVE.
 1. PLASTIC FITTINGS TO BE SEALED WITH SEALANT 84456-01-000.

WINNEBAGO		COPYRIGHT 2006 WINNEBAGO INDUSTRIES, INC.	
DFT-016	ORIG. DATE	ALL DIMENSIONS ARE IN MILLIMETERS	
CHKR		FIRST USED	
P.E.		06 726A	
M.E.		UNSPECIFIED TOLERANCES ARE:	
DSNR		MATERIAL:	
		WHOLE DIM (X)	: 3
		ONE-PLACE (X.X)	: 1.5
		TWO-PLACE (X.XX)	: 0.50
		ANGLE	: 1°
THIRD ANGLE PROJECTION		DO NOT SCALE DRAWING	
TITLE: WATER SYSTEM INSTL			
SHEET 1 OF 3	PART NO	154690	REV
REF:	1 6/15/2006		

(X-X)
FOR
WATER
CALLOUTS
SEE DWG NO
116230-01-000

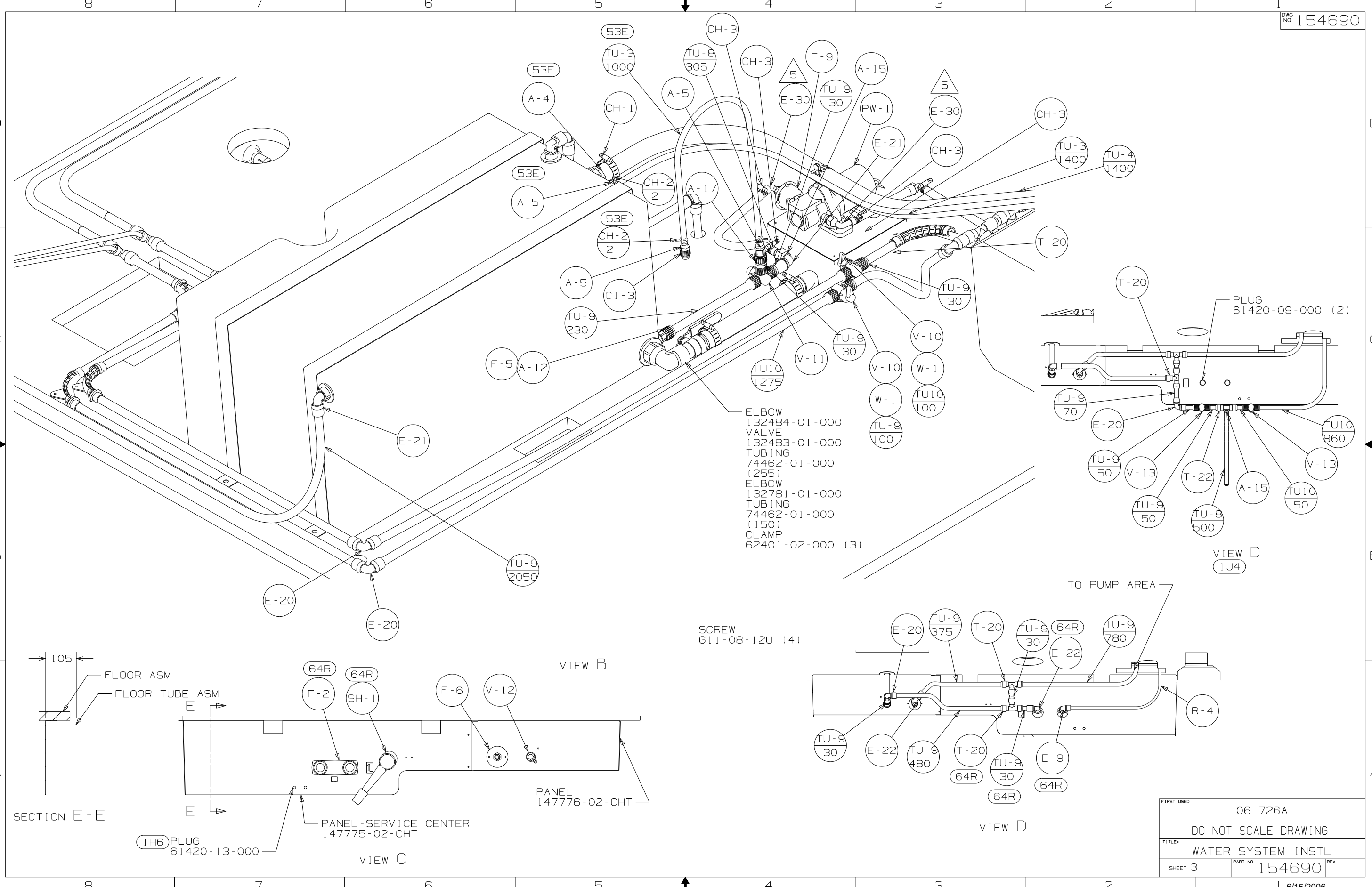


VIEW A (501)

VIEW E

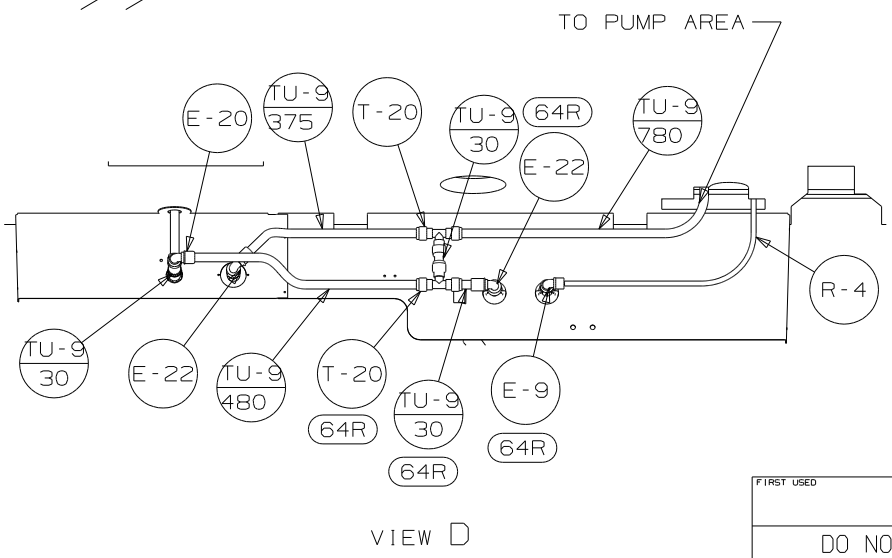
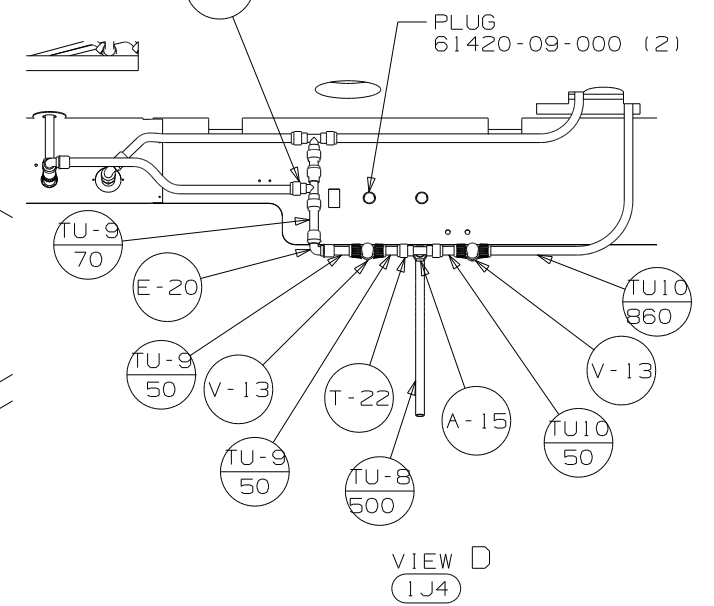
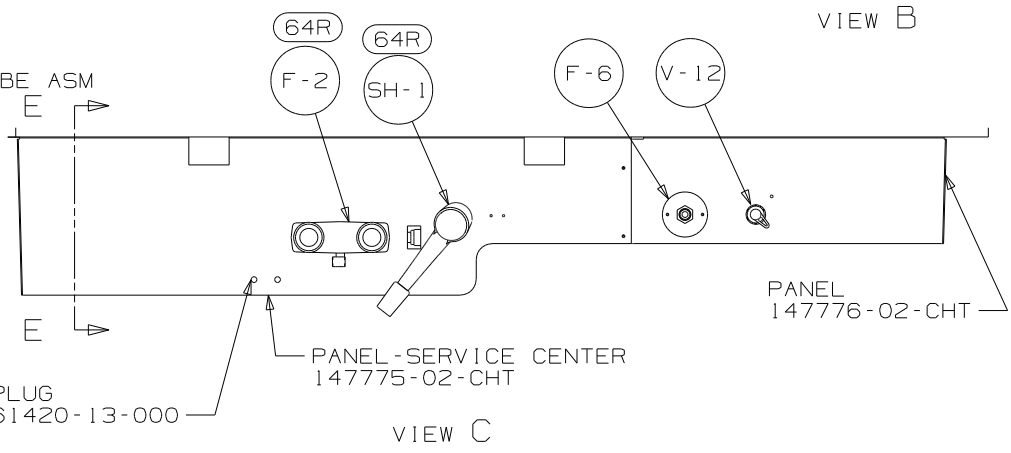
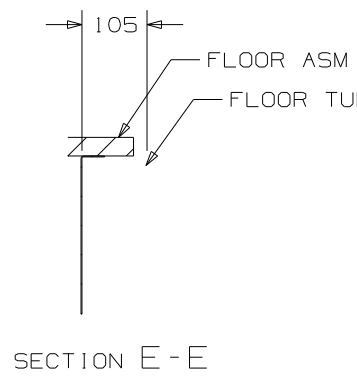
VIEW A

FIRST USED	06 726A
DO NOT SCALE DRAWING	
TITLE:	WATER SYSTEM INSTL
SHEET 2	PART NO 154690 REV
1 6/15/2006	



- ELBOW 132484-01-000
- VALVE 132483-01-000
- TUBING 74462-01-000 (255)
- ELBOW 132781-01-000
- TUBING 74462-01-000 (150)
- CLAMP 62401-02-000 (3)

SCREW 611-08-12U (4)



FIRST USED	06 726A		
TITLE	DO NOT SCALE DRAWING		
TITLE	WATER SYSTEM INSTL		
SHEET 3	PART NO	154690	REV