



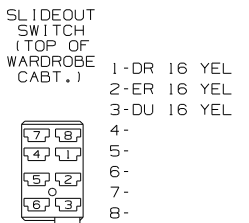
DANGER

Danger of electrical shock, burns or death. Always remove all power sources before attempting any repair, service or diagnostic work. Power can be present from shore power, generator, inverter or battery. All power sources must be disabled and secured before performing any service.

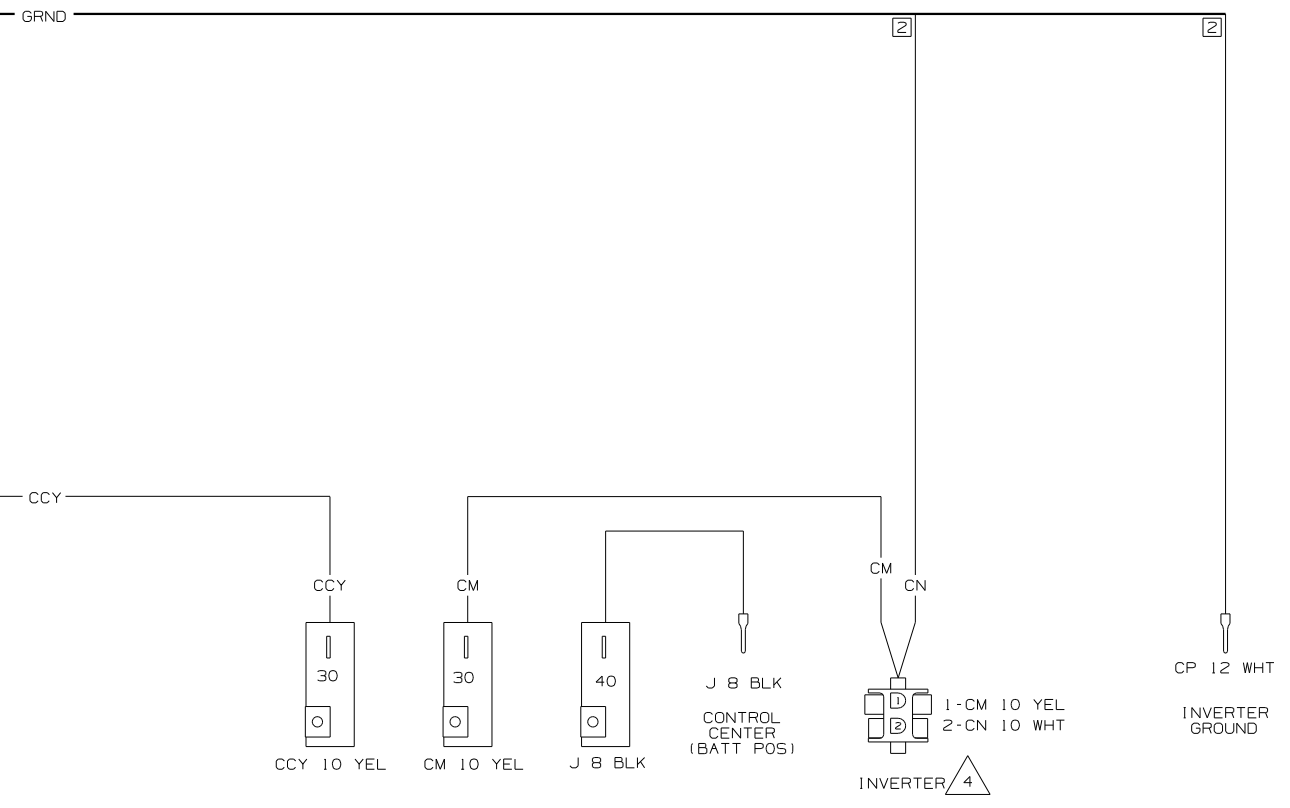
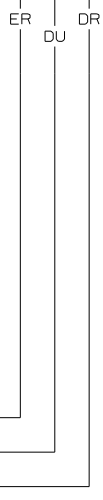


CAUTION

If you lack the skills, tools or equipment to perform diagnostic or repair work leave such work to an authorized Winnebago Industries dealer or other qualified shop.



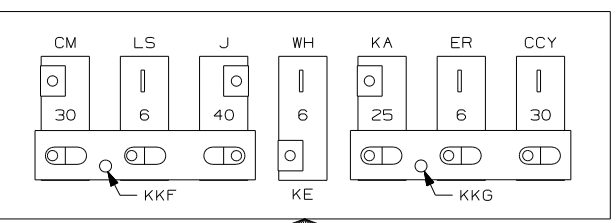
- 1-DR 16 YEL
- 2-ER 16 YEL
- 3-DU 16 YEL
- 4-
- 5-
- 6-
- 7-
- 8-



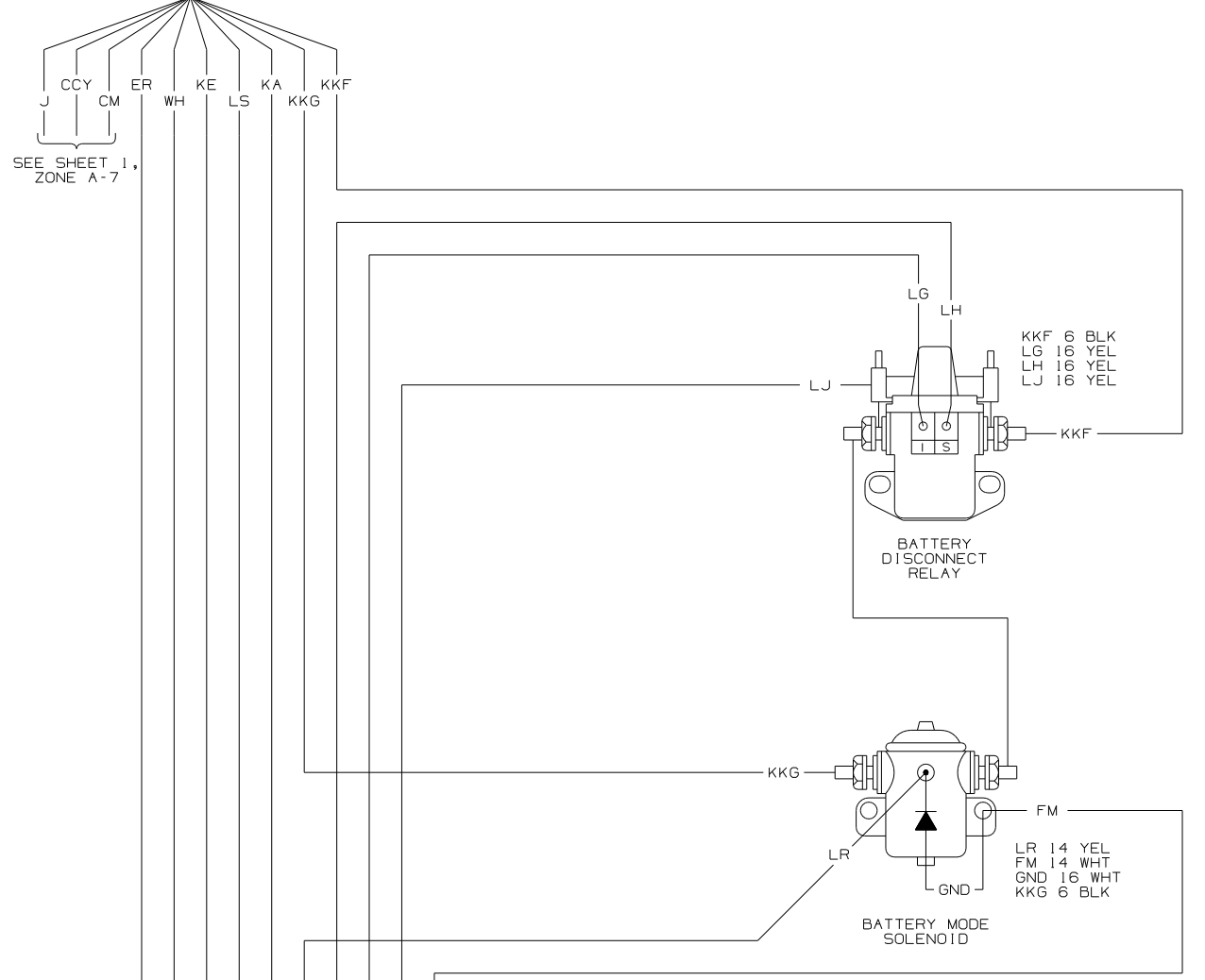
PART OF CHASSIS ELECTRICAL BOX (SHEET 1, D3-4)

WIRING DIAGRAM-CHASSIS, FORD (WIRE ASM 154611 REV-E)

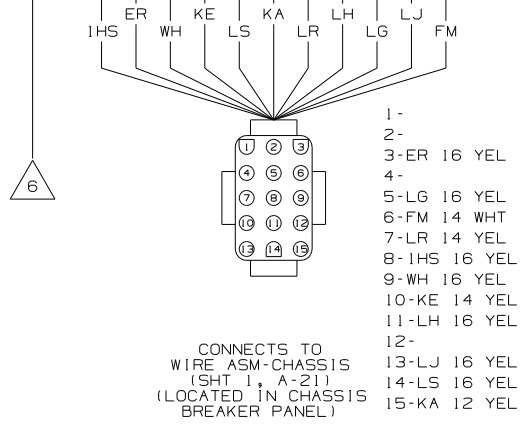
CHASSIS ELECTRICAL BOX



- CM 10 YEL
- LS 16 YEL
- J 8 BLK
- WH 16 YEL
- KA 12 YEL
- ER 16 YEL
- CCY 10 YEL
- KKF 6 BLK
- KE 14 YEL
- KKG 6 BLK



WIRING DIAGRAM-ELECTRICAL BOX (WIRE ASM 124125-04 REV-L)



- 1-
- 2-
- 3-ER 16 YEL
- 4-
- 5-LG 16 YEL
- 6-FM 14 WHT
- 7-LR 14 YEL
- 8-IHS 16 YEL
- 9-WH 16 YEL
- 10-KE 14 YEL
- 11-LH 16 YEL
- 12-
- 13-LJ 16 YEL
- 14-LS 16 YEL
- 15-KA 12 YEL

CONNECTS TO WIRE ASM-CHASSIS (SHT 1, A-21) (LOCATED IN CHASSIS BREAKER PANEL)

WINNEBAGO COPYRIGHT 2004 WINNEBAGO INDUSTRIES, INC.

DFTR	ORIG. DATE
CHNR	ALL DIMENSIONS ARE IN MILLIMETERS
P.E.	
M.E.	FIRST USED
DSNR	06 723D

UNSPECIFIED TOLERANCES ARE: MATERIAL:

WHOLE DIM (X) :
 ONE-PLACE (X.X) :
 TWO-PLACE (X.XX) :
 ANGLE :
 THIRD ANGLE PROJECTION

DO NOT SCALE DRAWING

TITLE: WIRING DIAGRAM-BODY, 12V

SHEET 1 of 5 PART NO 154616

CONNECTS TO RADIO SWITCH

- 1-LD 14 YEL
- 2-WN 16 YEL
- 3-JF 14 YEL
- 4-MK 14 YEL
- 5-GT 16 YEL
- 6-JF 14 YEL
- 7-
- 8-

CONNECTS TO DASH RADIO ASM

- 1-MK 14 YEL
- 2-LD 14 YEL
- 3-GT 16 YEL
- 4-WN 16 YEL

CONNECTS TO WIRE ASM-RIGHT (SHT 3, D-4) (UNDER SOFA)

- 1-JM 14 WHT
- 2-XH 16 YEL
- 3-LA 16 YEL
- 4-JB 14 YEL
- 5-GL 16 WHT
- 6-LC 16 WHT
- 7-WB 16 YEL
- 8-UK 16 WHT
- 9-KR 16 WHT
- 10-
- 11-LB 16 WHT
- 12-KX 16 YEL
- 13-JF 14 YEL
- 14-NF 14 WHT
- 15-PJ 14 YEL

CONNECTS TO FORD WIRING (LOCATED BEHIND DRIVER DOOR)

- BLU-LA 16 YEL
- GRN-LC 16 WHT
- RED-KX 16 YEL
- YEL-LB 16 WHT

CONNECTS TO WIRE ASM-LEFT (SHT 2, C-8) (IN WARDROBE BY LOAD CENTER)

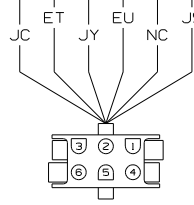
- 1-JS 12 YEL
- 2-LP 16 YEL
- 3-LL 16 WHT
- 4-LM 16 WHT
- 5-LN 16 WHT
- 6-JD 14 YEL
- 7-GL-1 14 WHT
- 8-JX 14 WHT
- 9-WB 14 YEL
- 10-XH 16 YEL
- 11-JM 14 WHT
- 12-WN 16 YEL
- 13-GL 16 WHT
- 14-PM 12 WHT
- 15-

CONNECTS TO GENERATOR 4

- A-LN 16 WHT
- B-LM 16 WHT
- C-LL 16 WHT
- D-
- E-
- F-LP 16 YEL
- G-
- H-

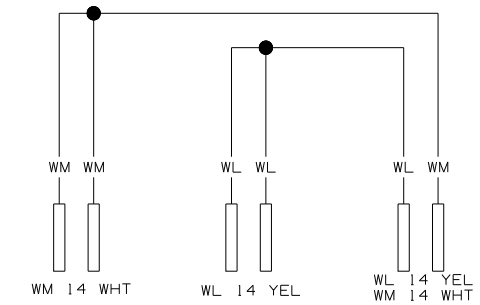
CONNECTS TO WIRE ASM-SIDEWALL (SHT 5, D-4) (UNDER FRONT DINETTE SEAT)

- 1-JD 14 YEL
- 2-ND 14 WHT

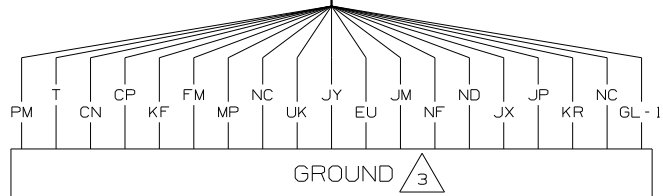


- 1-JC 14 YEL
- 2-NC 14 WHT
- 3-ET 16 YEL
- 4-EU 16 WHT
- 5-JS 12 YEL
- 6-JY 12 WHT

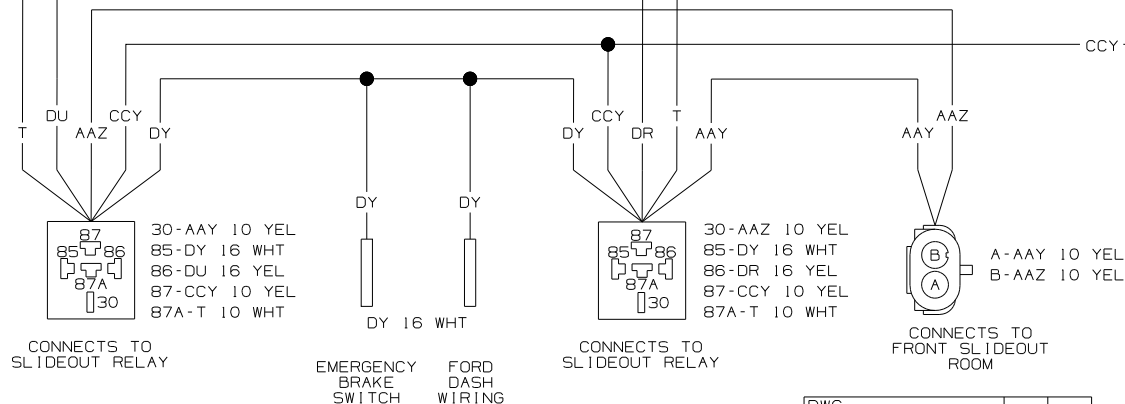
CONNECTS TO WIRE ASM-RIGHT (SHT 3, A-3) (LOCATED BELOW REFRIGERATOR)



WM 14 WHT FORD HOUSING CONNECTS TO RED/ORG
 WL 14 YEL FORD HOUSING CONNECTS TO PK/BLK
 WL 14 YEL WM 14 WHT ENTRANCE DOOR POWER DOOR LOCKS



- KF 16 WHT
- FM 14 WHT
- MP 16 WHT
- NC 14 WHT
- CN 14 WHT
- GL-1 14 WHT
- PM 12 WHT
- UK 16 WHT
- JY 12 WHT
- EU 16 WHT
- JM 14 WHT
- NF 14 WHT
- CP 12 WHT
- ND 14 WHT
- JX 14 WHT
- JP 14 WHT
- KR 14 WHT
- CN 12 WHT
- T 10 WHT

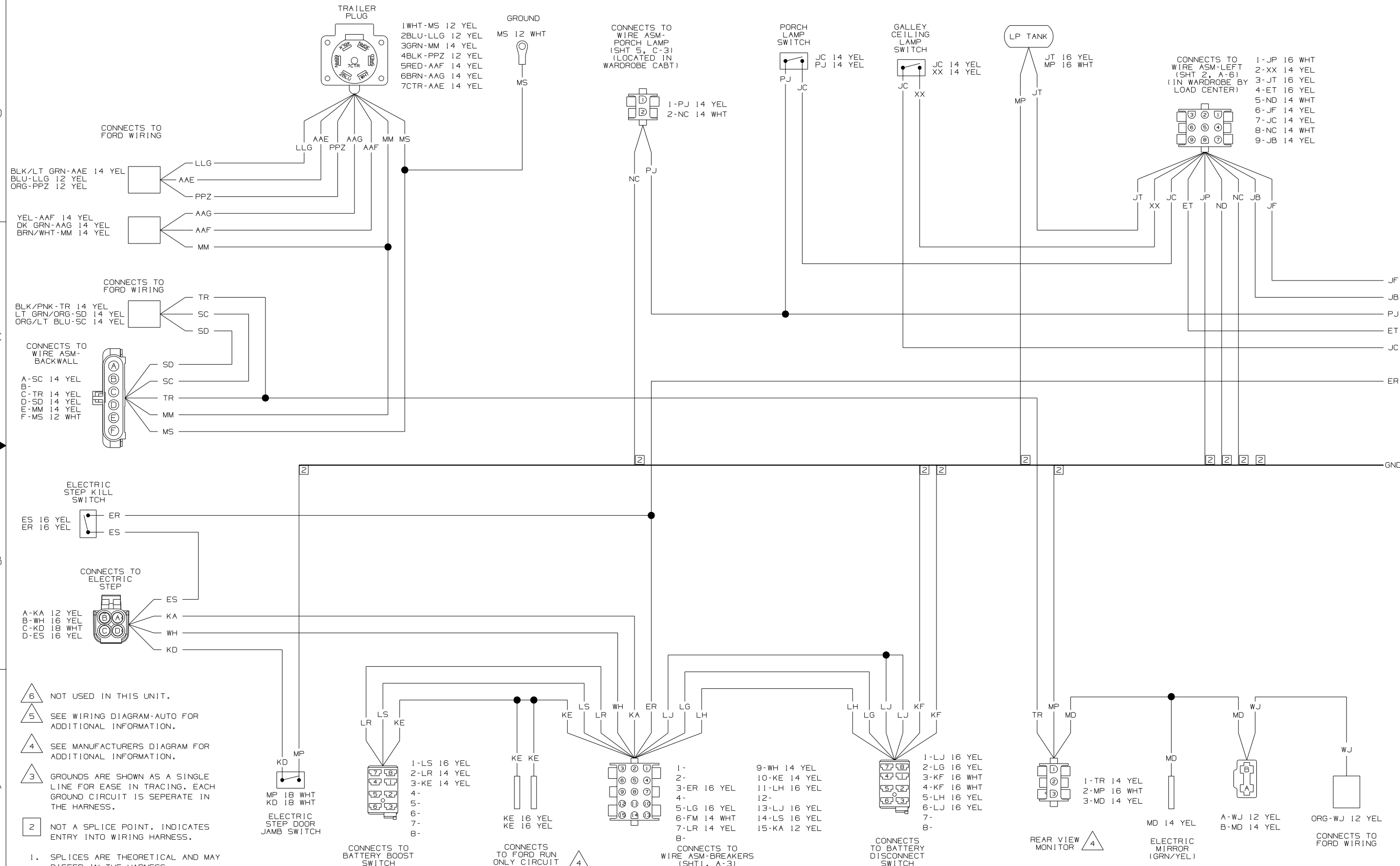


CONNECTS TO SLIDEOUT RELAY

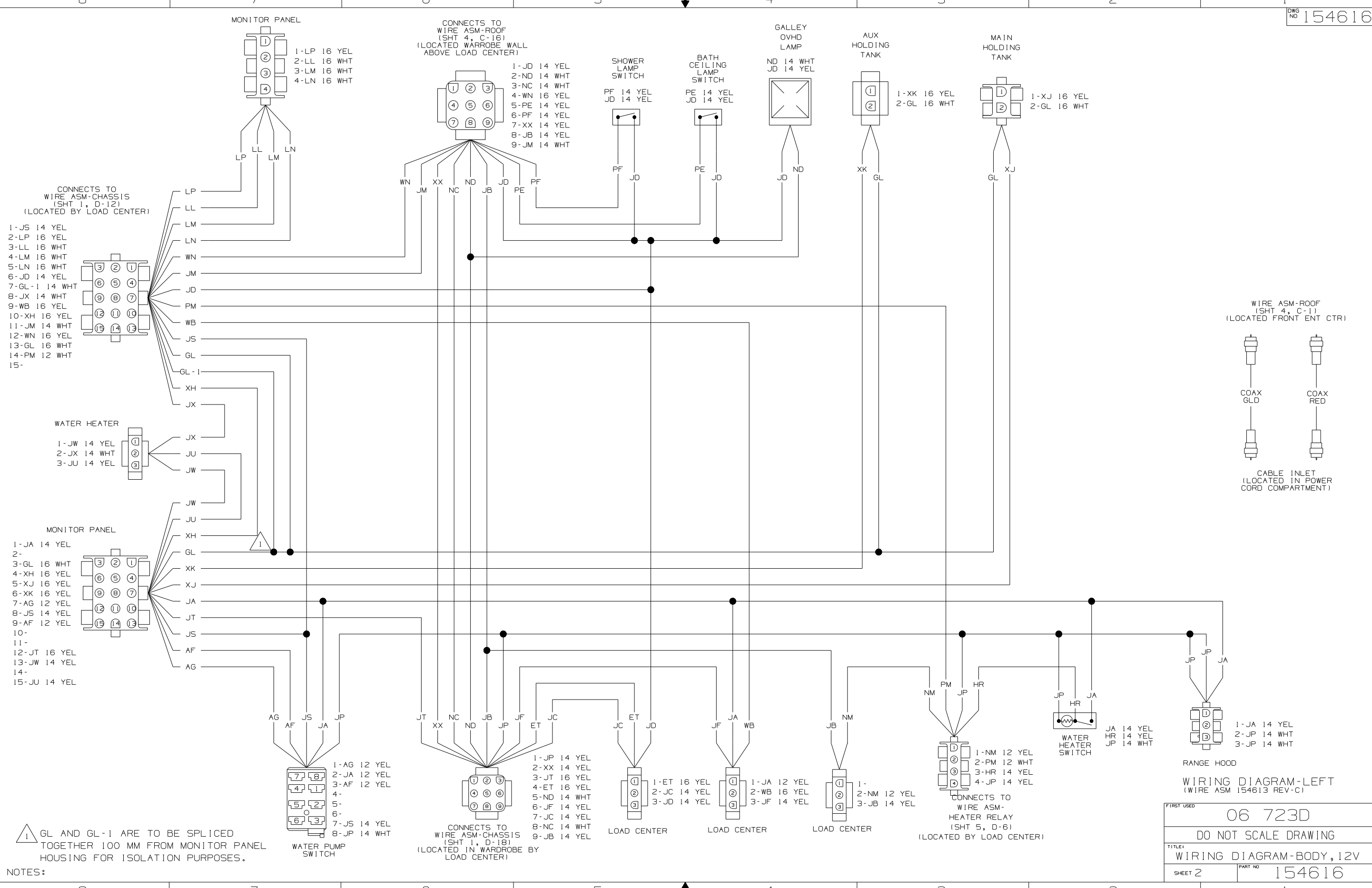
EMERGENCY BRAKE SWITCH FORD DASH WIRING

CONNECTS TO SLIDEOUT RELAY

CONNECTS TO FRONT SLIDEOUT ROOM



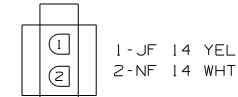
- NOTES:**
- 1. SPLICES ARE THEORETICAL AND MAY DIFFER IN THE HARNESS.
 - 2. NOT A SPLICE POINT. INDICATES ENTRY INTO WIRING HARNESS.
 - 3. GROUNDS ARE SHOWN AS A SINGLE LINE FOR EASE IN TRACING. EACH GROUND CIRCUIT IS SEPERATE IN THE HARNESS.
 - 4. SEE MANUFACTURERS DIAGRAM FOR ADDITIONAL INFORMATION.
 - 5. SEE WIRING DIAGRAM-AUTO FOR ADDITIONAL INFORMATION.
 - 6. NOT USED IN THIS UNIT.



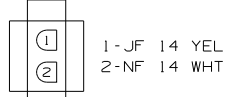
NOTES:
 1 GL AND GL-1 ARE TO BE SPLICED TOGETHER 100 MM FROM MONITOR PANEL HOUSING FOR ISOLATION PURPOSES.

FIRST USED		06 723D	
DO NOT SCALE DRAWING			
TITLE: WIRING DIAGRAM-BODY, 12V			
SHEET 2	PART NO	154616	
1 5/18/2005			

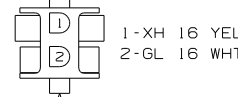
CONNECTS TO WIRE ASM-EXT ENT CTR (SHT 5, A-5) (LOCATE BELOW COUCH)



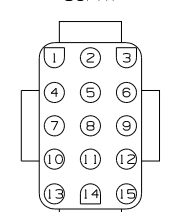
CONNECTS TO TWO-WAY RADIOS



CONNECTS TO WIRE ASM-TANK, WATER

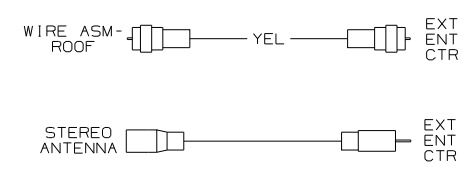
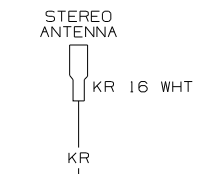
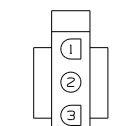


CONNECTS TO WIRE ASM-CHASSIS (SHT 1, D-14) (LOCATED BELOW SOFA)



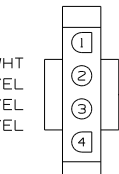
- 1-JM 14 WHT
- 2-XH 16 YEL
- 3-LA 16 YEL
- 4-JB 14 YEL
- 5-GL 16 WHT
- 6-LC 16 WHT
- 7-WB 16 YEL
- 8-UK 16 WHT
- 9-KR 16 WHT
- 10-
- 11-LB 16 WHT
- 12-KX 16 YEL
- 13-JF 14 YEL
- 14-NF 14 WHT
- 15-PJ 14 YEL

CONNECTS TO LP DETECTOR



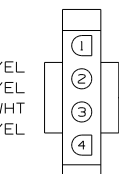
CONNECTS TO FURNACE

- 1-JM 14 WHT
- 2-JJ 14 YEL
- 3-JB 14 YEL
- 4-JH 14 YEL

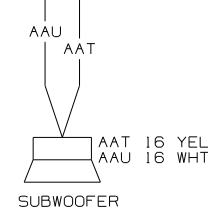
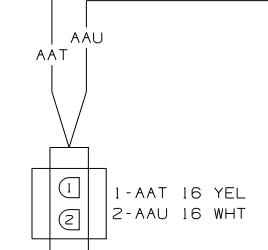


CONNECTS TO THERMOSTAT

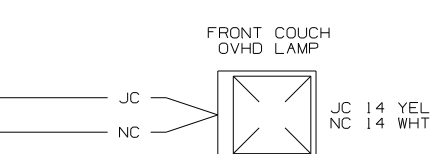
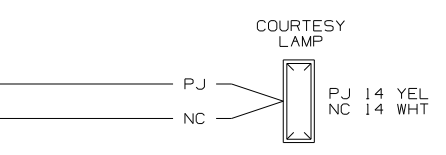
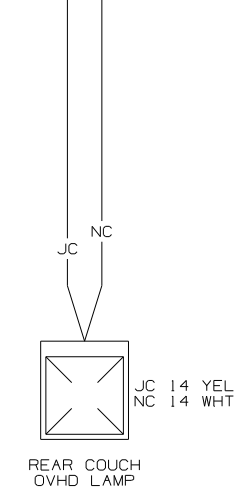
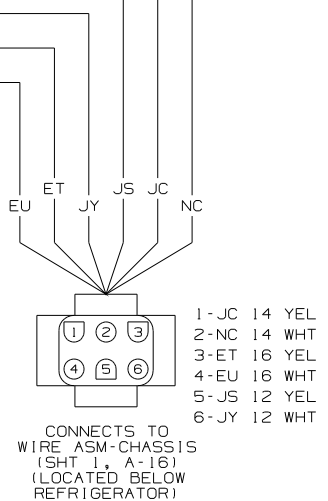
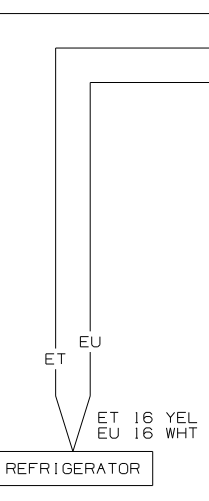
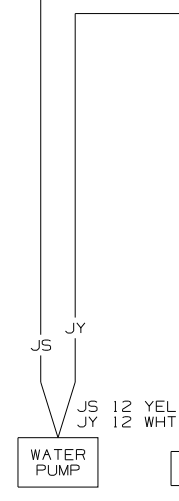
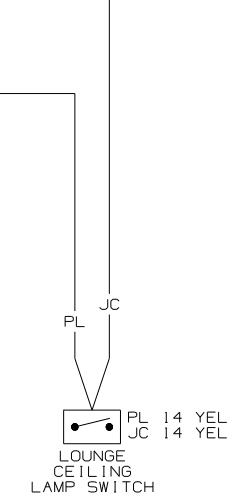
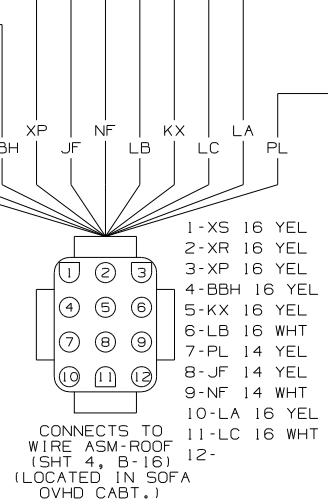
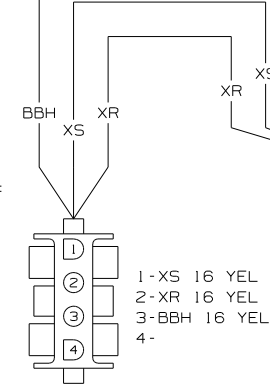
- 1-XP 16 YEL
- 2-JH 14 YEL
- 3-JM 14 WHT
- 4-JJ 14 YEL



CONNECTS TO WIRE ASM-ROOF (SHT 4, D-15) (LOCATED IN SOFA OVHD CABT.)



CONNECTS TO THERMOSTAT



NOTES:

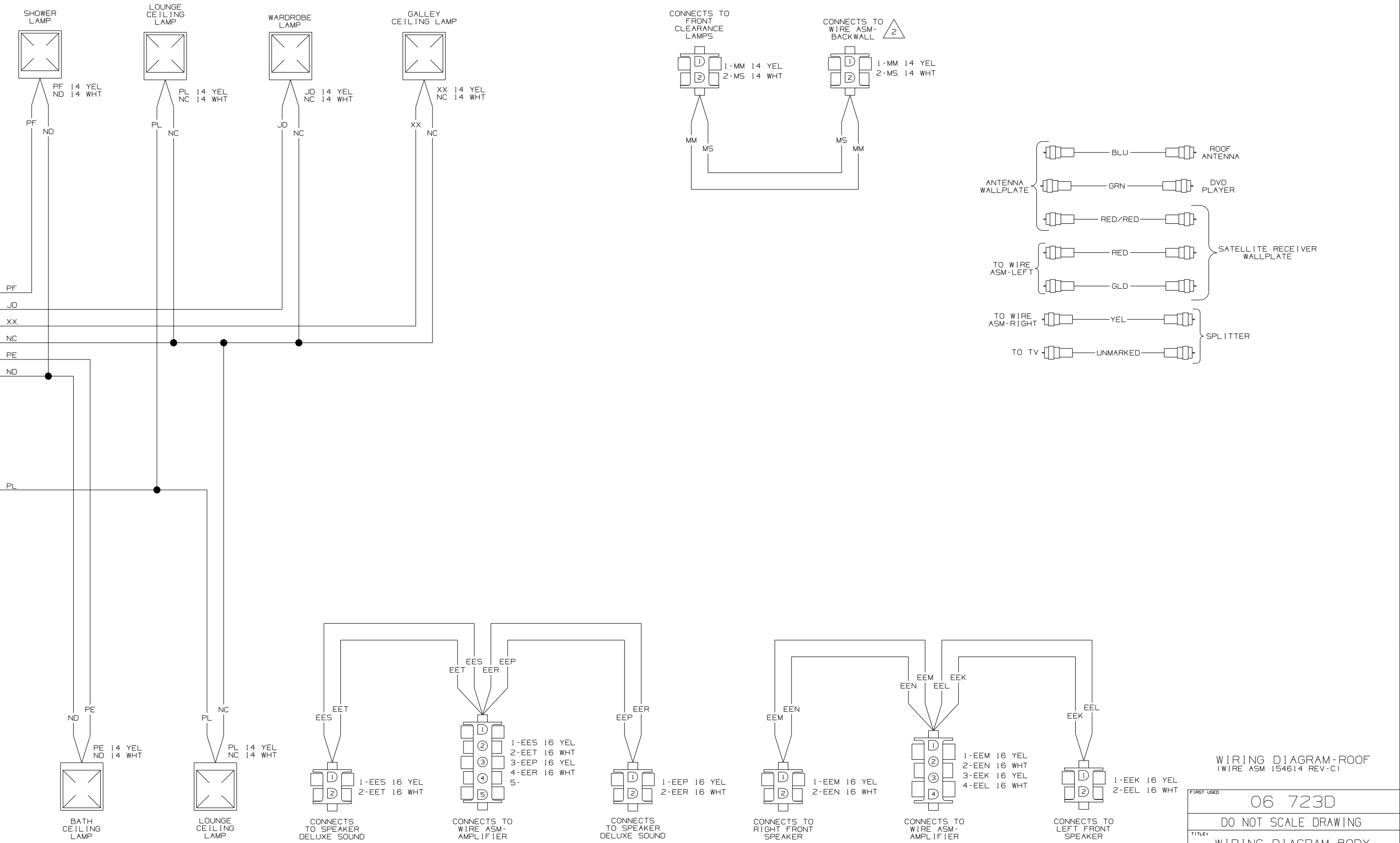
2 SEE WIRING DIAGRAM-AUTO FOR ADDITIONAL INFORMATION.

1 SEE MANUFACTURERS DIAGRAM FOR ADDITIONAL INFORMATION.

WIRING DIAGRAM-RIGHT
(WIRE ASM 154612 REV-A)

FIRST USED	06 723D
DO NOT SCALE DRAWING	
TITLE:	WIRING DIAGRAM-BODY, 12V
SHEET 3	PART NO 154616

1 5/18/2005



WIRING DIAGRAM-ROOF (WIRE ASM 154614 REV-C)

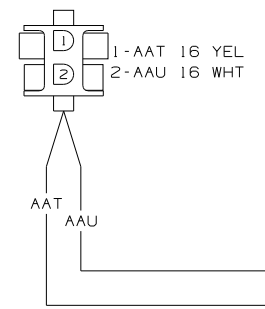
FIRST USED 06 723D

DO NOT SCALE DRAWING

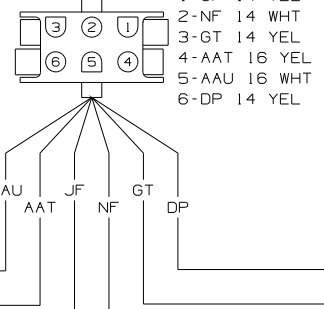
TITLE: WIRING DIAGRAM-BODY

F1 SHEET 4 PART NO 154616

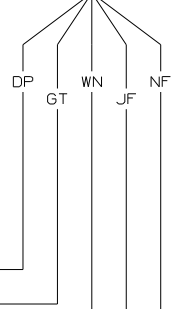
CONNECTS TO
WIRE ASM-RIGHT
(SHT 3, A-8)
(LOCATED IN SOFA
OVHD CABT.)



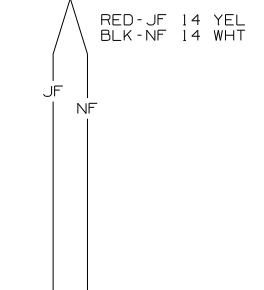
CONNECTS TO
WIRE ASM-
AMPLIFIER



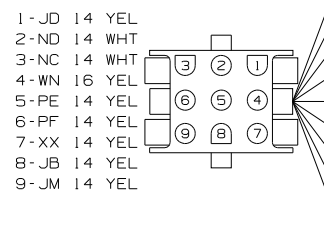
RADIO/TV
POWER SWITCH



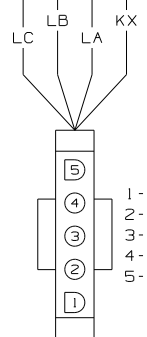
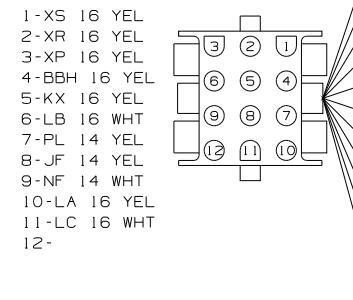
DIGITAL
SATELLITE
ELEVATION
SENSOR



CONNECTS TO
WIRE ASM-LEFT
(SHT 2, D-6)
(LOCATED IN WARDROBE
WALL ABOVE LOAD CENTER)

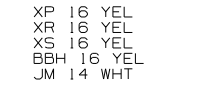


CONNECTS TO
WIRE ASM-RIGHT
(SHT 3, A-6)
(LOCATED IN SOFA
OVHD CABT.)



CONNECTS TO
WIRE ASM-SPEAKERS
(SHT 5, A-3)
(LOCATED IN FRONT
ENTERTAINMENT CENTER)

ROOF A/C



ANTENNA
WALLPLATE



12V RCP
DVD PLAYER



DVD PLAYER
SWITCH



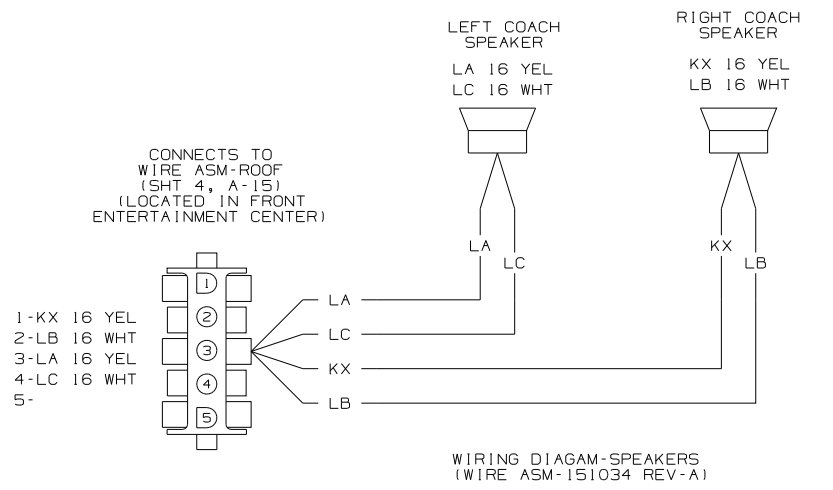
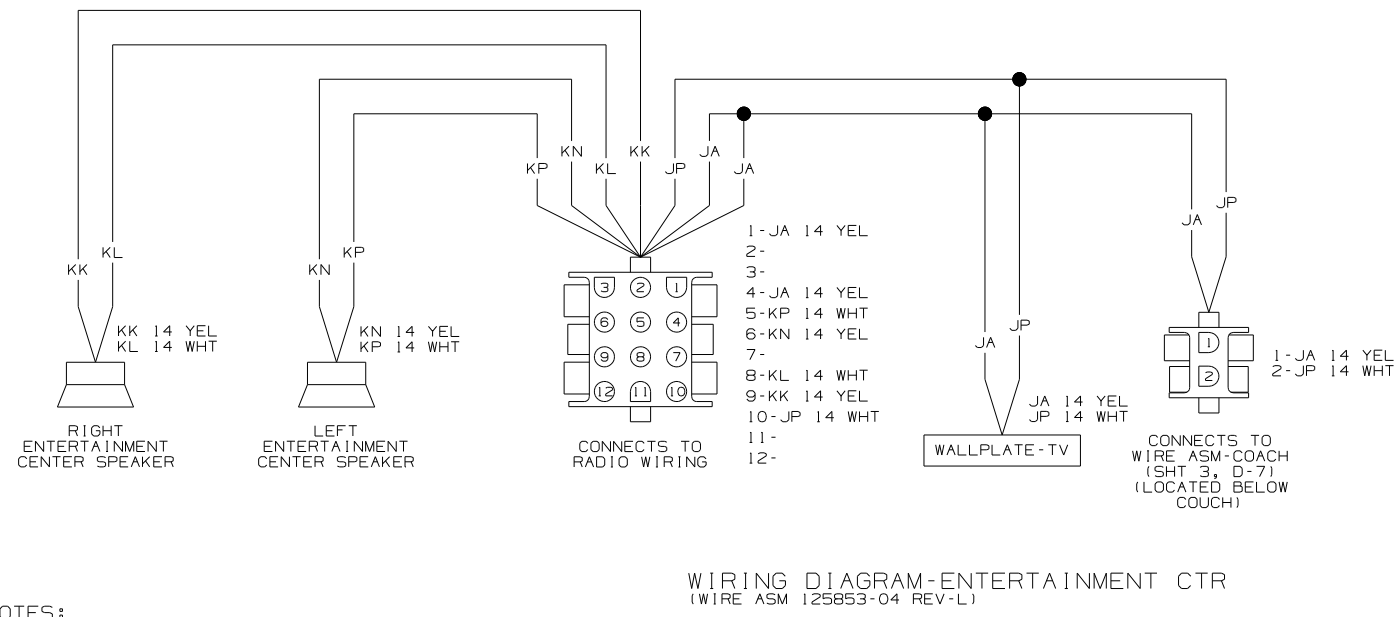
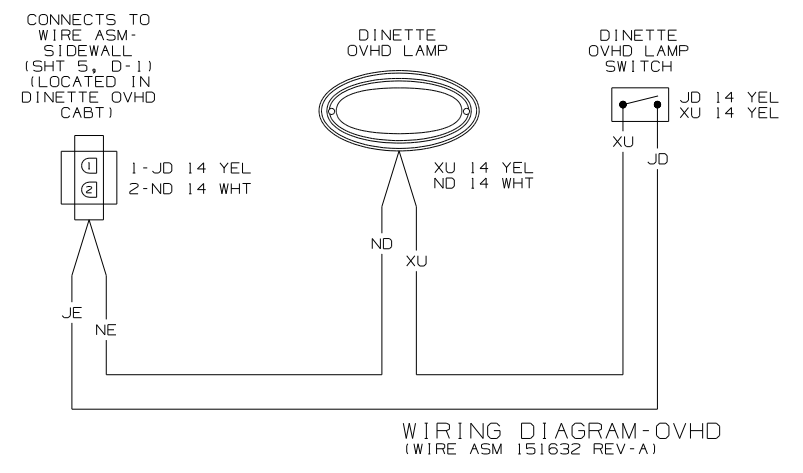
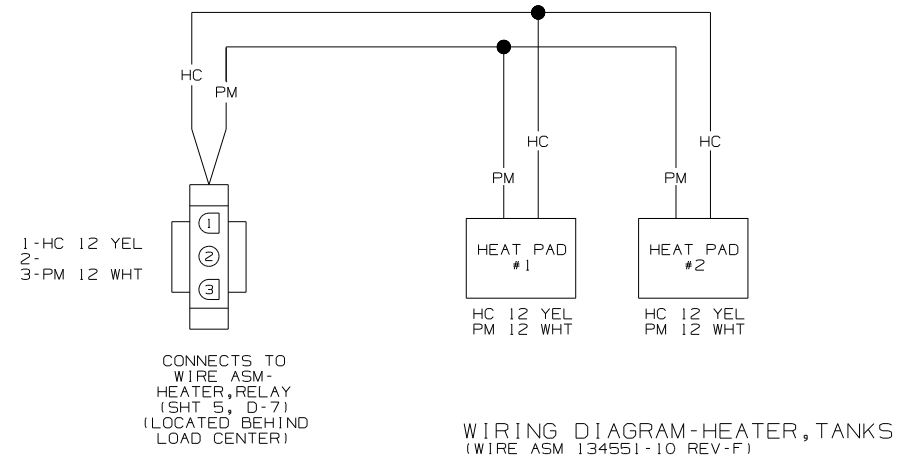
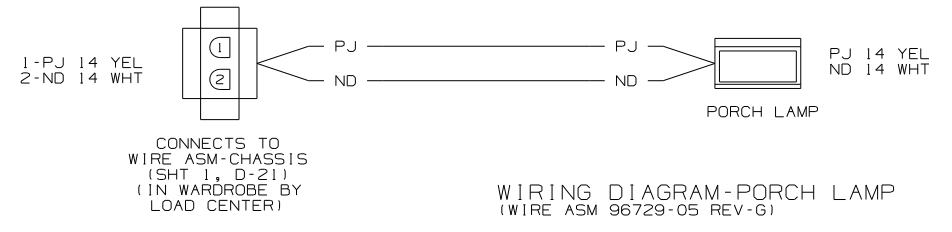
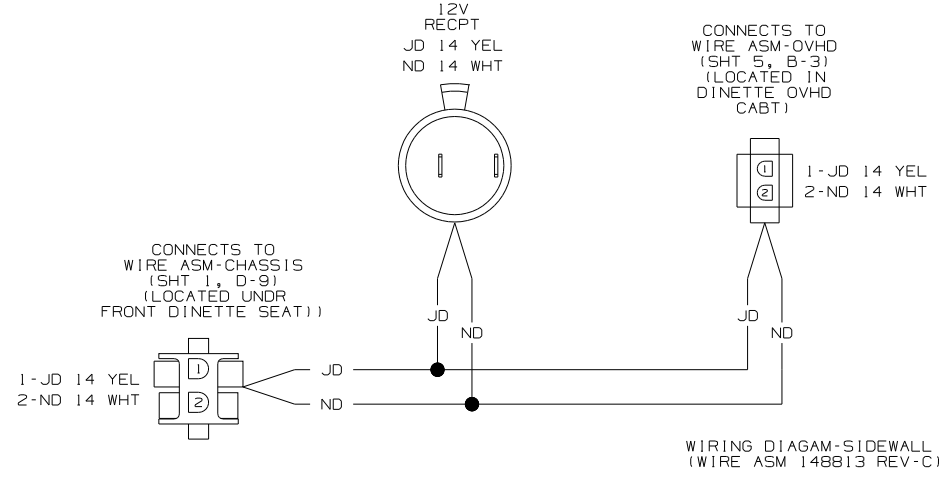
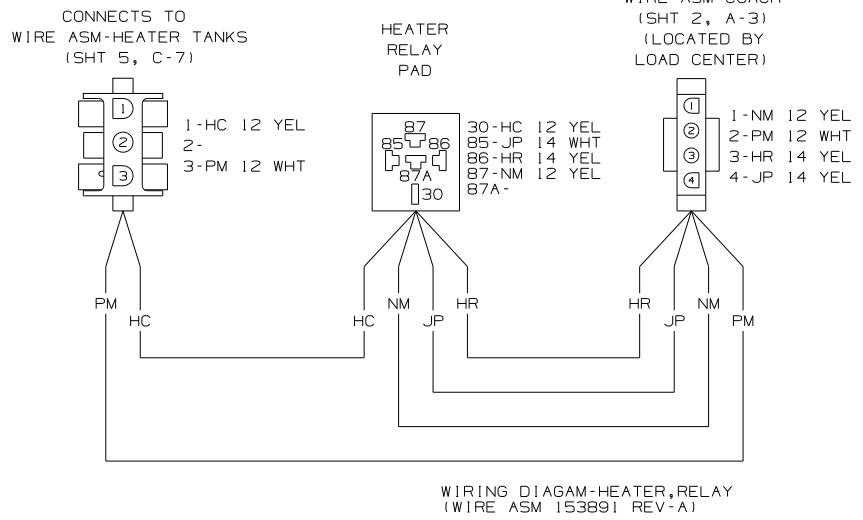
BATH
VENT



LOUNGE
VENT



- NOTES:
- 2 SEE WIRING DIAGRAM-AUTO FOR ADDITIONAL INFORMATION.
 - 1 SEE MANUFACTURERS DIAGRAM FOR ADDITIONAL INFORMATION.



NOTES:

FIRST USED	05 723D
TITLE	DO NOT SCALE DRAWING
TITLE	WIRING DIAGRAM-BODY,12
SHEET 5	PART NO 148238