

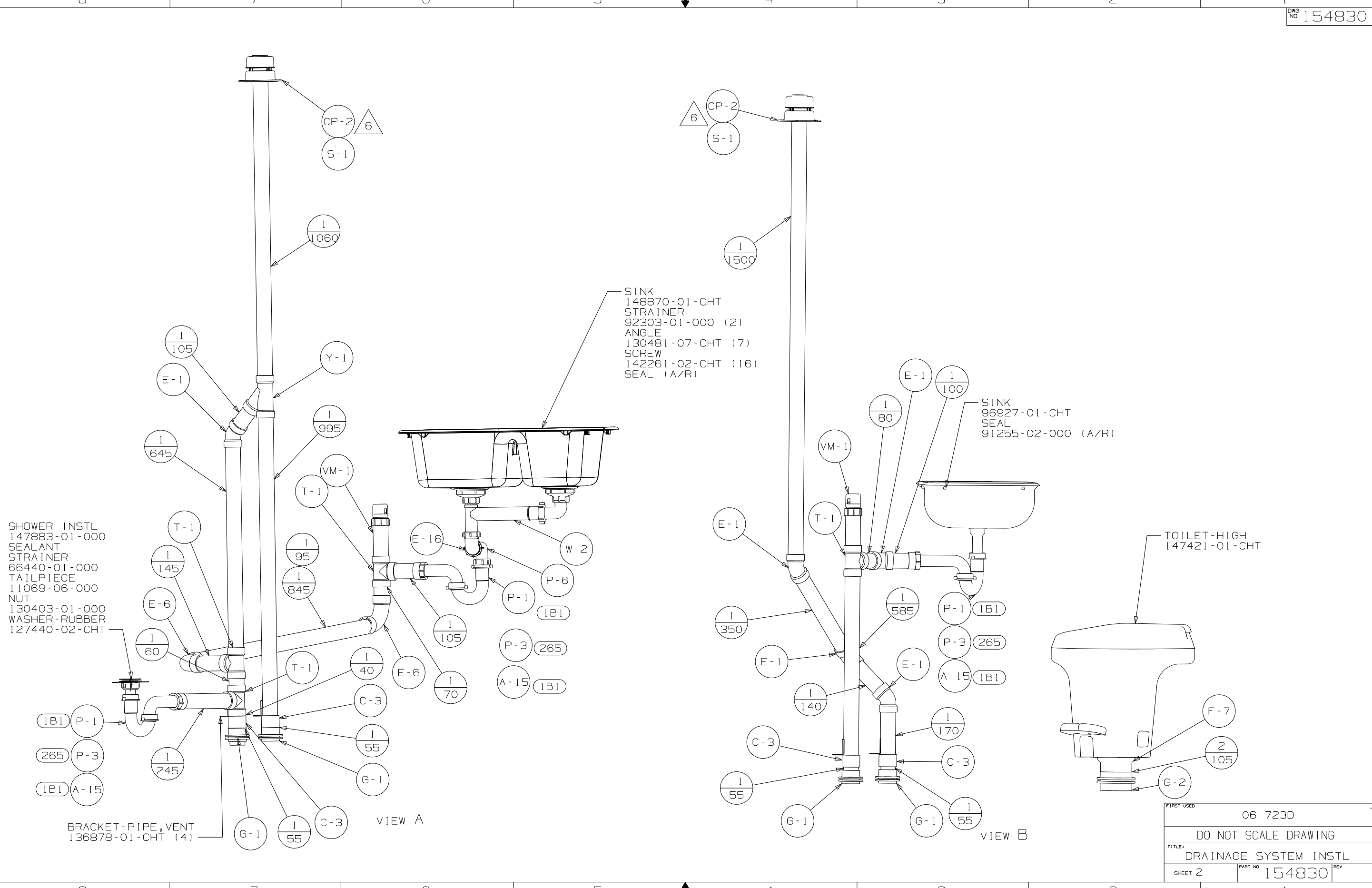
- 6 VENT PIPE MUST PROJECT 51 MIN AND 64 MAX ABOVE ROOF FOR PROPER FIT AND FUNCTION.
- SEAL AROUND SHOWER WITH SILICONE.
  - ALL EXTERIOR OPENINGS AROUND PIPE TO BE SEALED WITH 131264-03-000.
  - ALL PIPE AND FITTINGS TO BE ASSEMBLED WITH SOLVENT 4020-01-000.
  - SLOPE OF TRAP ARM MUST BE 6 PER 305 mm.
  - SLOPE OF HORIZONTAL PIPING TO BE MIN 3 PER 305 mm.

NOTES:

- (B1) CODES/STANDARDS-USA
- (265) CODES/STDS-CMVSS,CSA
- (23T) HEATED HOLDING TANKS

<b>WINNEBAGO</b>		COPYRIGHT 2006 WINNEBAGO INDUSTRIES, INC.	
DFTR	ORIG. DATE	ALL DIMENSIONS ARE IN MILLIMETERS	
CHKR		FIRST USED	
P.E.		06 723D	
M.E.		UNSPECIFIED TOLERANCES ARE:	
DSNR		MATERIAL:	
		WHOLE DIM (X)	: 3
		ONE-PLACE (X.X)	: 1.5
		TWO-PLACE (X.XX)	: 0.50
		ANGLE	: 1°
THIRD ANGLE PROJECTION		DO NOT SCALE DRAWING	
TITLE: DRAINAGE SYSTEM INSTL			
SHEET 1 OF 3	PART NO	154830	REV
REF:	1 6/13/2006		

(X-X)  
FOR  
DRAINAGE  
CALLOUTS  
SEE DWG NO  
116229-01-000



SHOWER INSTL  
 147883-01-000  
 SEALANT  
 STRAINER  
 66440-01-000  
 TAILPIECE  
 11069-06-000  
 NUT  
 130403-01-000  
 WASHER-RUBBER  
 127440-02-CHT

SINK  
 148870-01-CHT  
 STRAINER  
 92303-01-000 (2)  
 ANGLE  
 130481-07-CHT (7)  
 SCREW  
 142261-02-CHT (16)  
 SEAL (A/R)

SINK  
 96927-01-CHT  
 SEAL  
 91255-02-000 (A/R)

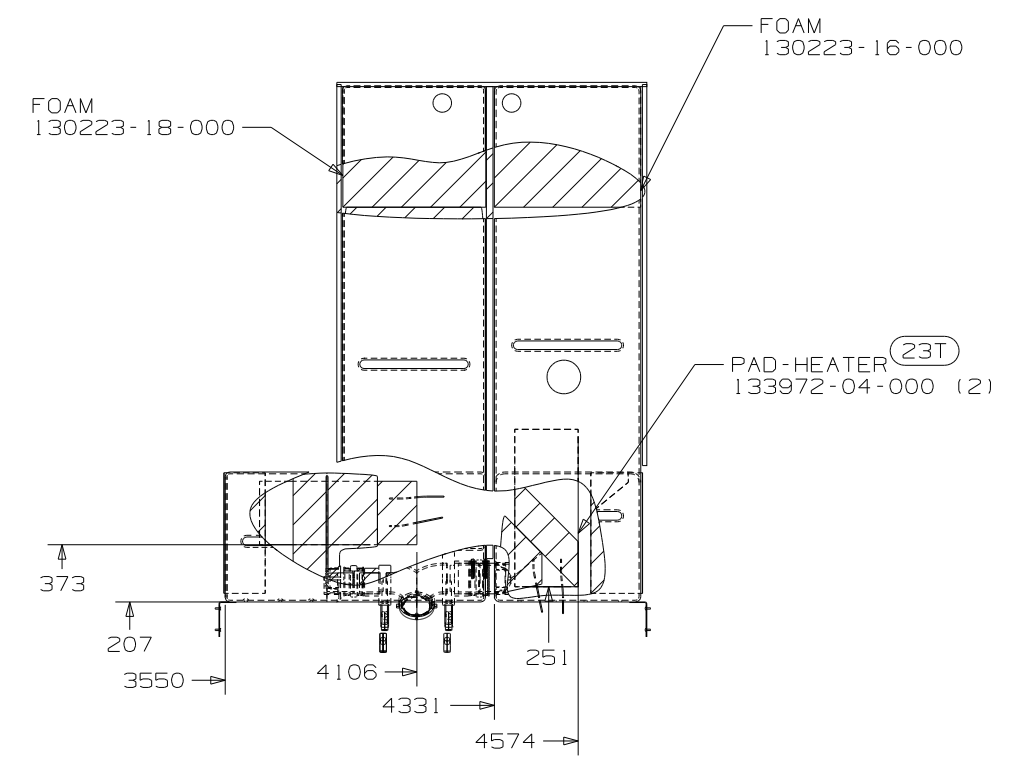
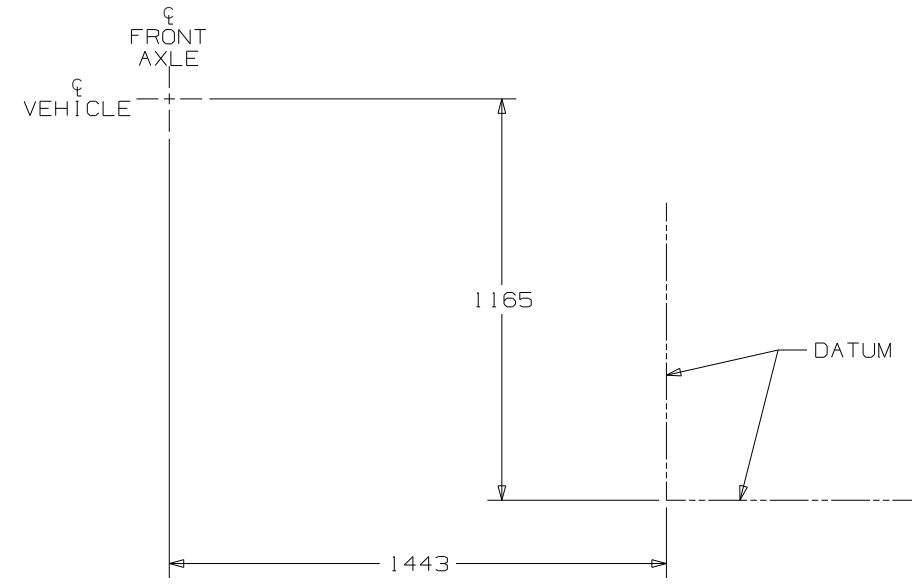
TOILET-HIGH  
 147421-01-CHT

BRACKET-PIPE, VENT  
 136878-01-CHT (4)

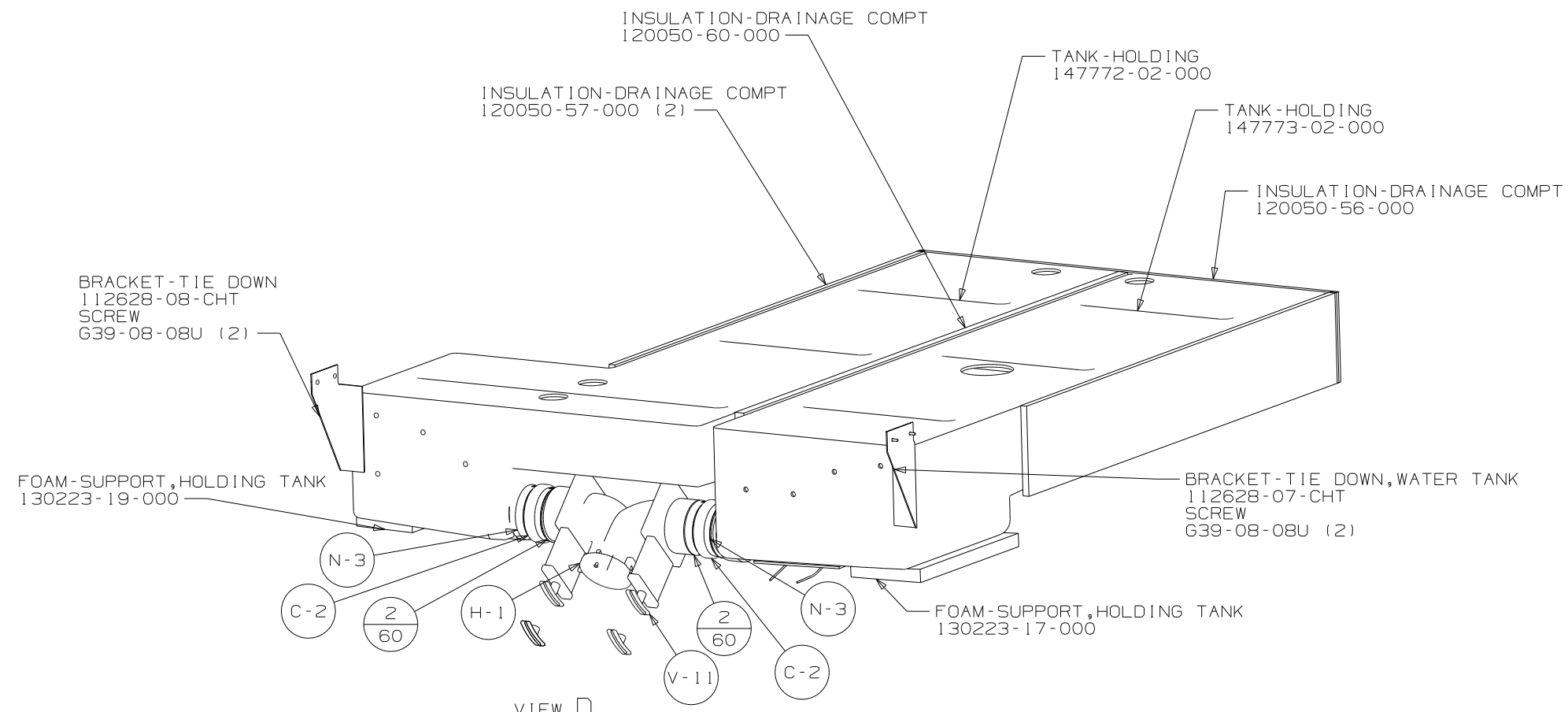
VIEW A

VIEW B

FIRST USED	06 723D	
TITLE	DO NOT SCALE DRAWING	
	DRAINAGE SYSTEM INSTL	
SHEET 2	PART NO	154830
	REV	



VIEW C



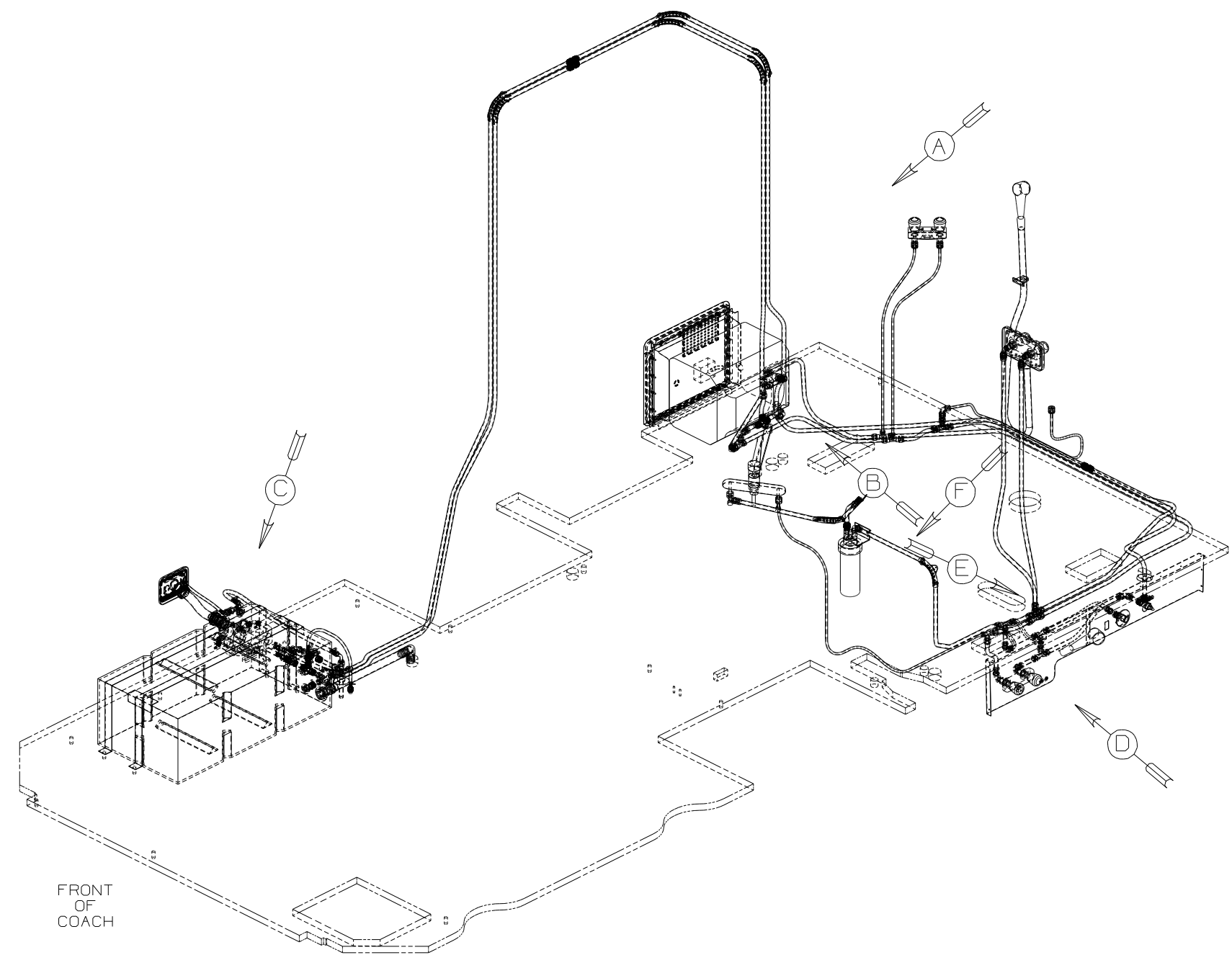
VIEW D

FIRST USED	06 723D	
TITLE	DO NOT SCALE DRAWING	
	DRAINAGE SYSTEM INSTL	
SHEET 3	PART NO 154830	REV

8 7 6 5 4 3 2

RELEASE	REV DATE	DWG NO
A		154832
REV ZONE	REVISION RECORD	DATE DFR-ORIG

J	---	EDIT VIEW C	11-2-05	1600-6308
K	S2A4	ADD SEALANT, CABLE & SCREW FOR WATER HEATER	12/20/05	4823-5465
L	---	E-9 WAS E-22 ON SHT2	3-1-06	1600-2582
M	SHT3	380 WAS 360, 320 WAS 160	3-20-06	0626-5472



- (1H6) AIR SPRING-WITHOUT
- (29B) WATER PURIFIER
- (50I) WATER PURIFIER W/O
- (53E) WINTERIZING PKG
- (53F) WATER HEATER-ELEC. IGN.
- (64R) EXT WASH STATION
- (1J4) EXT WASH STATION-WITHOUT

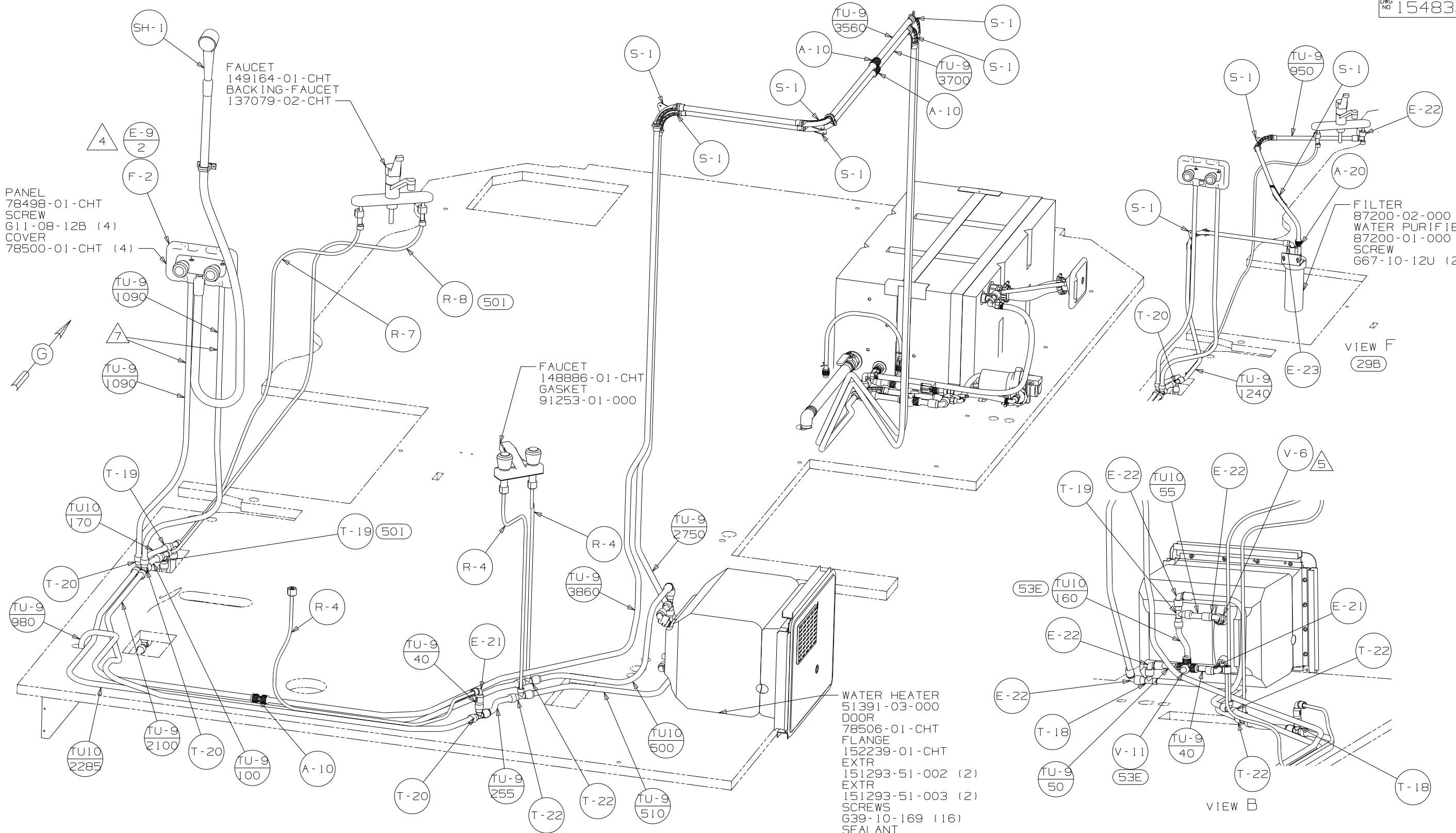
- 7 ADD PIPE WRAP (LADDER SCRAP 110157-02-000) INSULATION.
  - 6 ADD TEFLON TAPE 10405-03-000.
  - 5 ADD TEFLON TAPE 10405-02-000.
  - 4 ADD TEFLON TAPE 10405-01-000.
3. ALL TUBING TO BE SECURED AT 1200 INTERVALS MAXIMUM WITH CLAMP 10495-01-000 AND SCREW G67-10-12B OR EQUIVALENT.
  2. TUBING TO BE INSTALLED WITH SUFFICIENT SLOPE TO PROVIDE DRAINAGE TO NEAREST VALVE.
  1. PLASTIC FITTINGS TO BE SEALED WITH SEALANT 84456-01-000.

NOTES:

(X-X)  
FOR  
WATER  
CALLOUTS  
SEE DWG NO  
116230-01-000

<b>WINNEBAGO</b>		COPYRIGHT 2006 WINNEBAGO INDUSTRIES, INC.	
DFTR	ORIG. DATE	ALL DIMENSIONS ARE IN MILLIMETERS	
CHKR		FIRST USED	
P.E.		06 723D	
M.E.		UNSPECIFIED TOLERANCES ARE:	
DSNR		MATERIAL:	
		WHOLE DIM (X)	: 3
		ONE-PLACE (X.X)	: 1.5
		TWO-PLACE (X.XX)	: 0.50
		ANGLE	: 1°
THIRD ANGLE PROJECTION		DO NOT SCALE DRAWING	
TITLE: WATER SYSTEM INSTL			
SHEET 1 OF 4	PART NO	154832	REV
REF:	1 6/13/2006		

8 7 6 5 4 3 2



FAUCET  
149164-01-CHT  
BACKING-FAUCET  
137079-02-CHT

PANEL  
78498-01-CHT  
SCREW  
G11-08-12B (4)  
COVER  
78500-01-CHT (4)

FAUCET  
148886-01-CHT  
GASKET  
91253-01-000

FILTER  
87200-02-000  
WATER PURIFIER  
87200-01-000  
SCREW  
G67-10-12U (2)

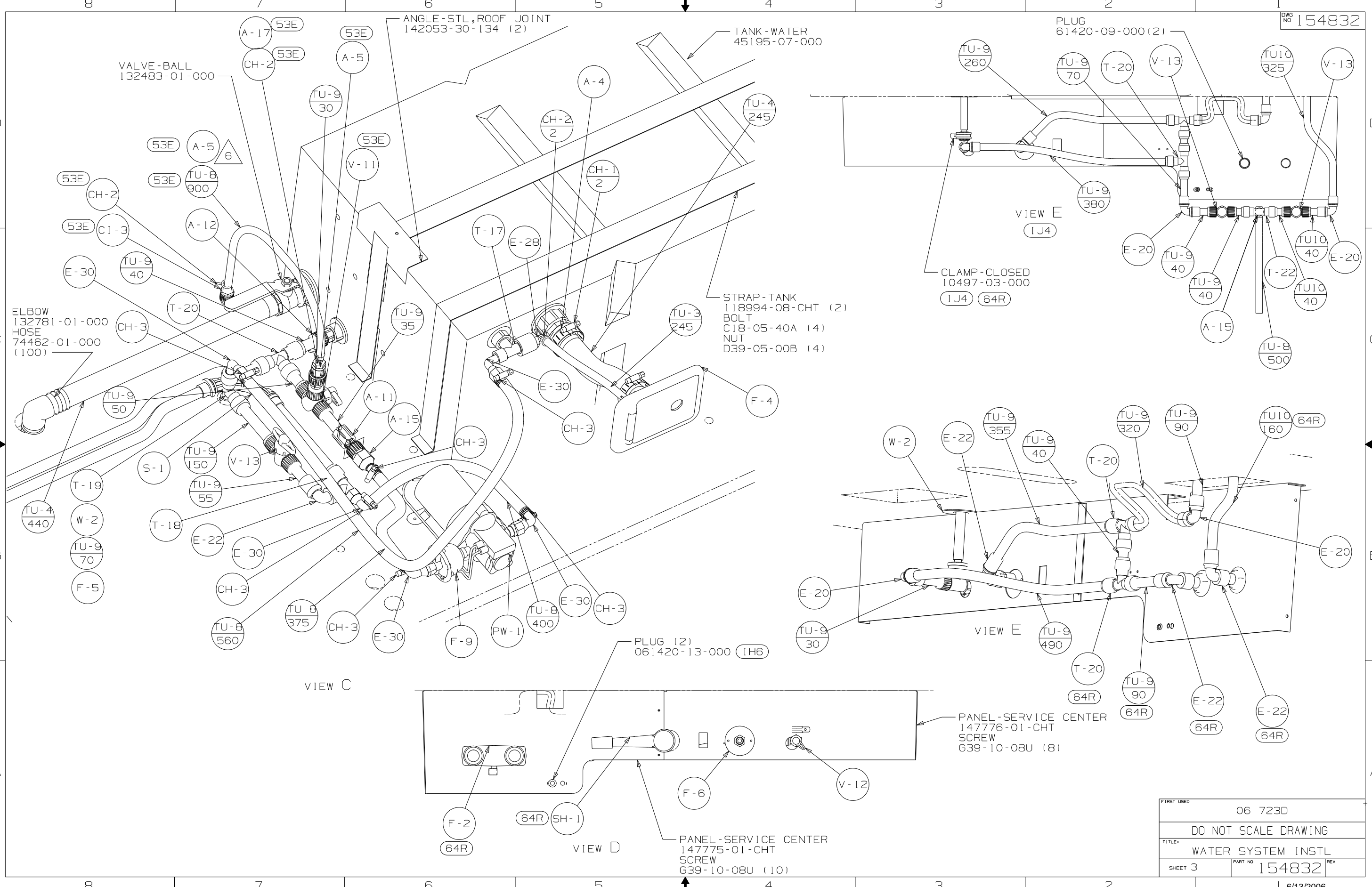
WATER HEATER  
51391-03-000  
DOOR  
78506-01-CHT  
FLANGE  
152239-01-CHT  
EXTR  
151293-51-002 (2)  
EXTR  
151293-51-003 (2)  
SCREWS  
G39-10-169 (16)  
SEALANT  
59640-14-000  
112864-01-000  
CABLE  
76767-03-000  
SCREW  
G11-06-08B (2)

VIEW A

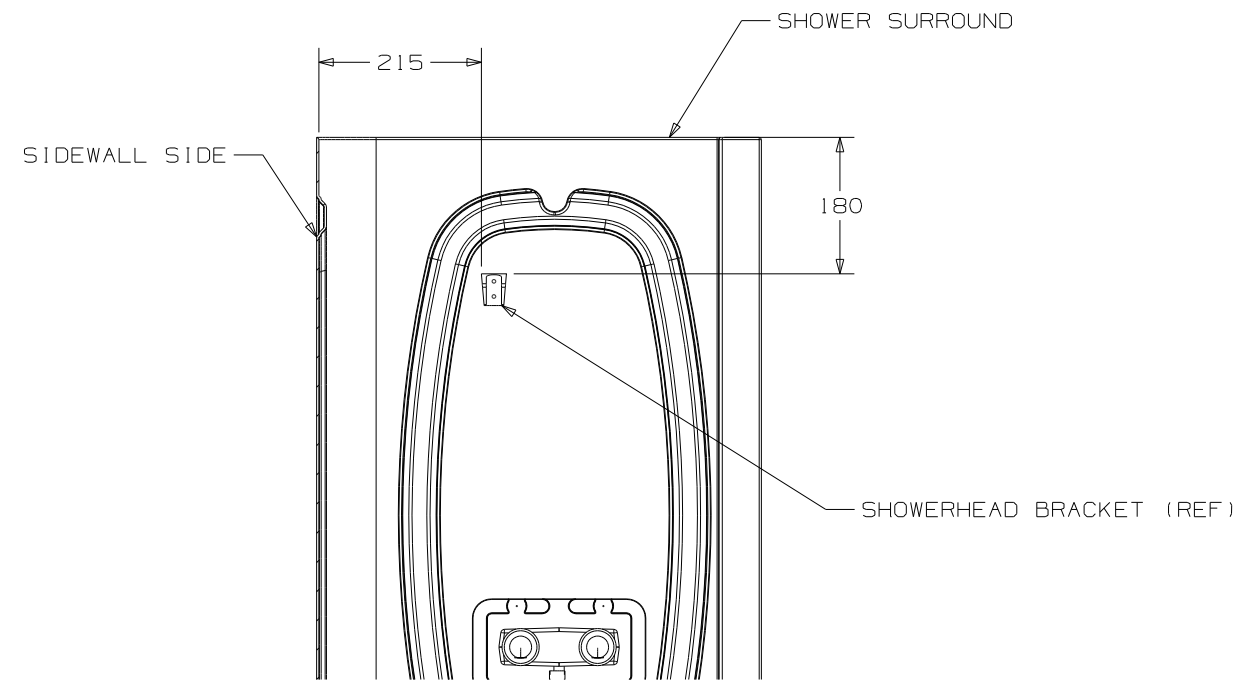
VIEW F  
(29B)

VIEW B

FIRST USED	06 723D
DO NOT SCALE DRAWING	
TITLE	WATER SYSTEM INSTL
SHEET 2	PART NO 154832 REV



FIRST USED	06 723D
TITLE	DO NOT SCALE DRAWING
TITLE	WATER SYSTEM INSTL
SHEET 3	PART NO 154832 REV



VIEW G

FIRST USED	06 723D
TITLE	DO NOT SCALE DRAWING
TITLE	WATER SYSTEM INSTL
SHEET 4	PART NO 154832 REV