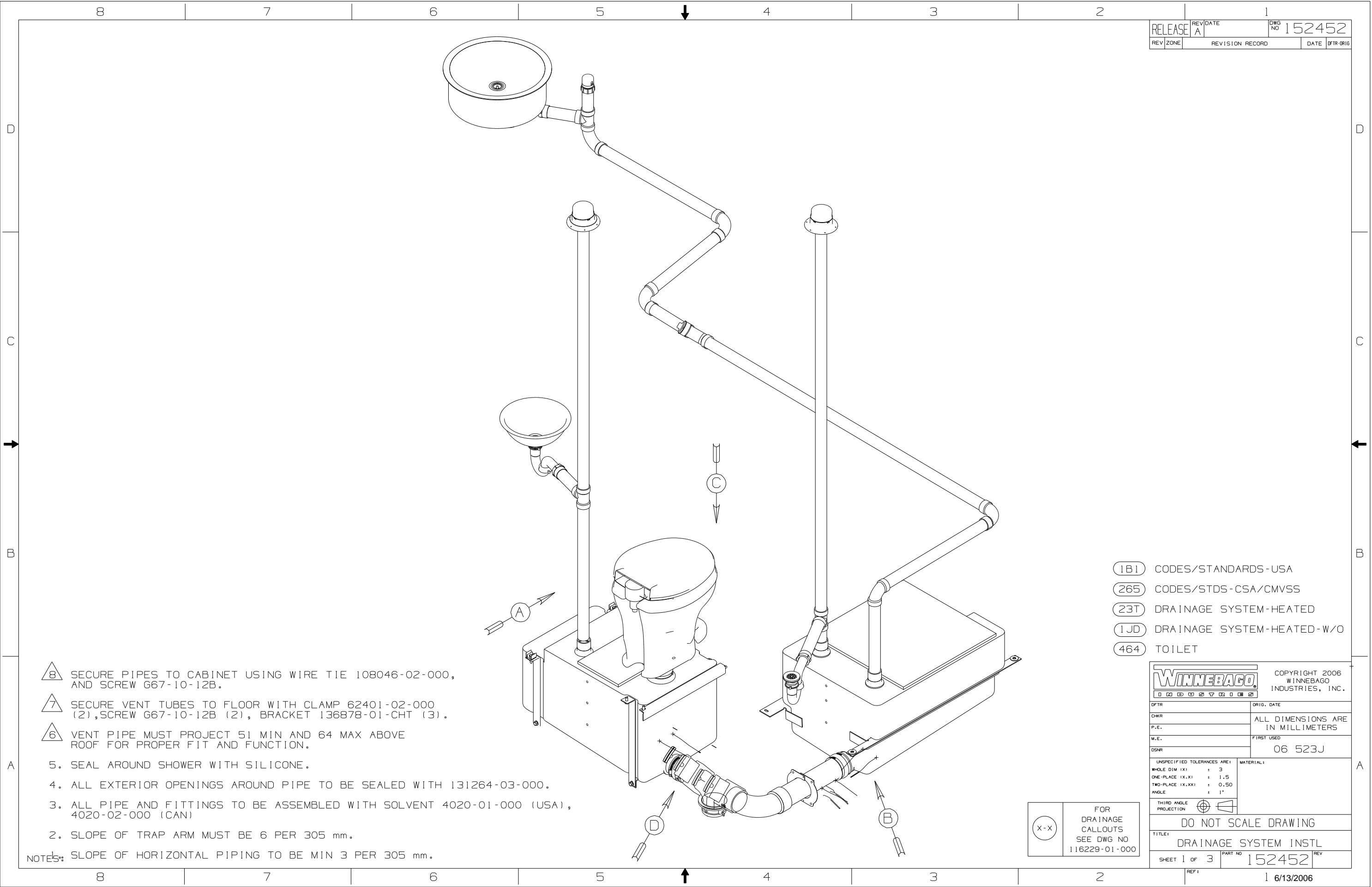


- △ 8 SECURE PIPES TO CABINET USING WIRE TIE 108046-02-000, AND SCREW G67-10-12B.
  - △ 7 SECURE VENT TUBES TO FLOOR WITH CLAMP 62401-02-000 (2), SCREW G67-10-12B (2), BRACKET 136878-01-CHT (3).
  - △ 6 VENT PIPE MUST PROJECT 51 MIN AND 64 MAX ABOVE ROOF FOR PROPER FIT AND FUNCTION.
5. SEAL AROUND SHOWER WITH SILICONE.
  4. ALL EXTERIOR OPENINGS AROUND PIPE TO BE SEALED WITH 131264-03-000.
  3. ALL PIPE AND FITTINGS TO BE ASSEMBLED WITH SOLVENT 4020-01-000 (USA), 4020-02-000 (CAN)
  2. SLOPE OF TRAP ARM MUST BE 6 PER 305 mm.
- NOTES: SLOPE OF HORIZONTAL PIPING TO BE MIN 3 PER 305 mm.

- (1B1) CODES/STANDARDS-USA
- (265) CODES/STDS-CSA/CMVSS
- (23T) DRAINAGE SYSTEM-HEATED
- (1JD) DRAINAGE SYSTEM-HEATED-W/O
- (464) TOILET

<b>WINNEBAGO</b>		COPYRIGHT 2006 WINNEBAGO INDUSTRIES, INC.	
DFTR	ORIG. DATE	ALL DIMENSIONS ARE IN MILLIMETERS	
CHKR		FIRST USED	
P.E.		06 523J	
M.E.		UNSPECIFIED TOLERANCES ARE:	
DSNR		MATERIAL:	
		WHOLE DIM (X)	: 3
		ONE-PLACE (X.X)	: 1.5
		TWO-PLACE (X.XX)	: 0.50
		ANGLE	: 1°
THIRD ANGLE PROJECTION		DO NOT SCALE DRAWING	
TITLE: DRAINAGE SYSTEM INSTL			
SHEET 1 OF 3	PART NO 152452	REV	

FOR  
DRAINAGE  
CALLOUTS  
SEE DWG NO  
116229-01-000



GALLEY SINK  
151677-02-CHT  
STRAINER  
66437-02-000  
TAILPIECE  
11069-06-000  
NUT  
130403-01-000  
WASHER-RUBBER  
127440-02-000

SINK-LAVATORY  
151679-01-CHT  
STRAINER  
66437-02-000  
TAILPIECE  
11069-06-000  
NUT  
130403-01-000  
WASHER-RUBBER  
127440-02-000

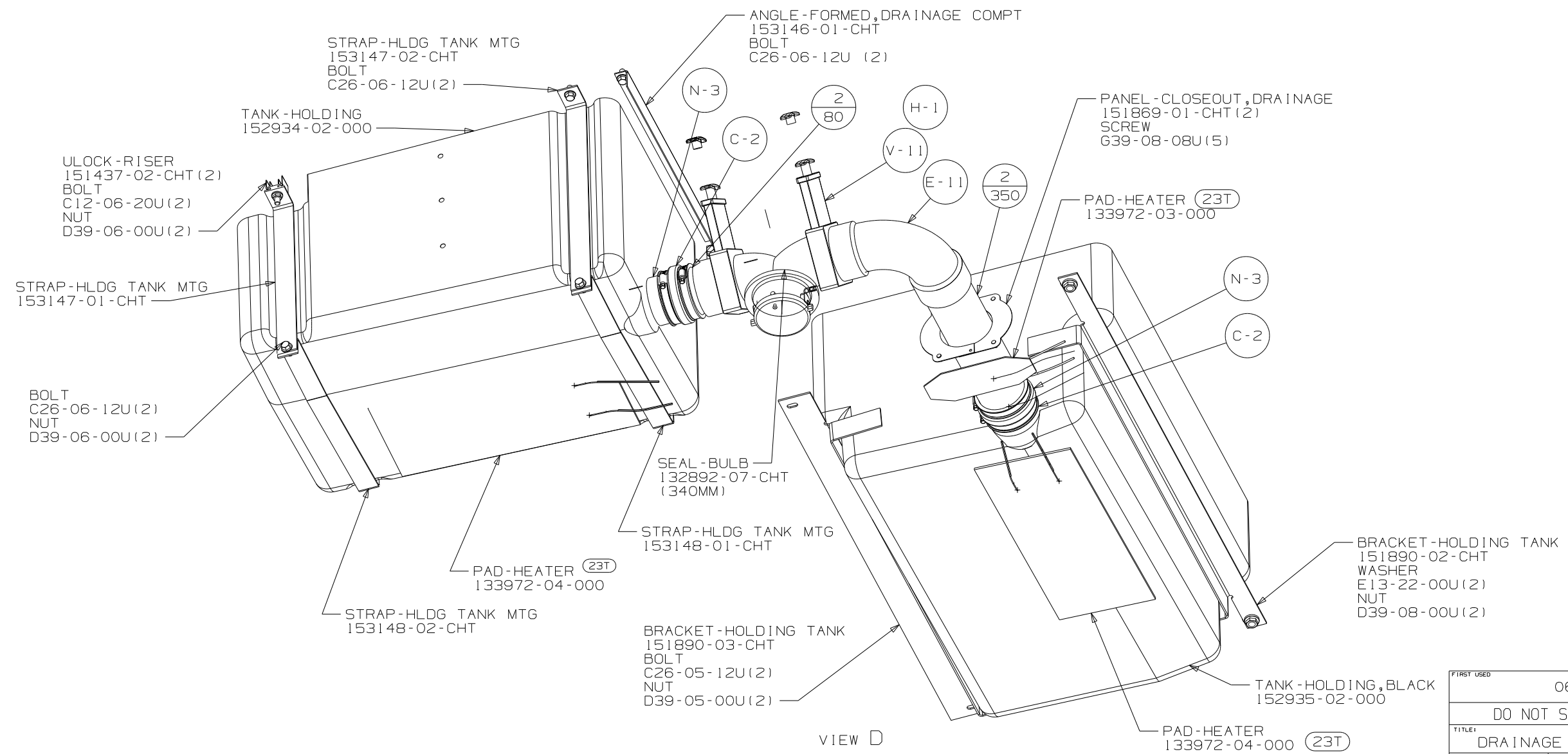
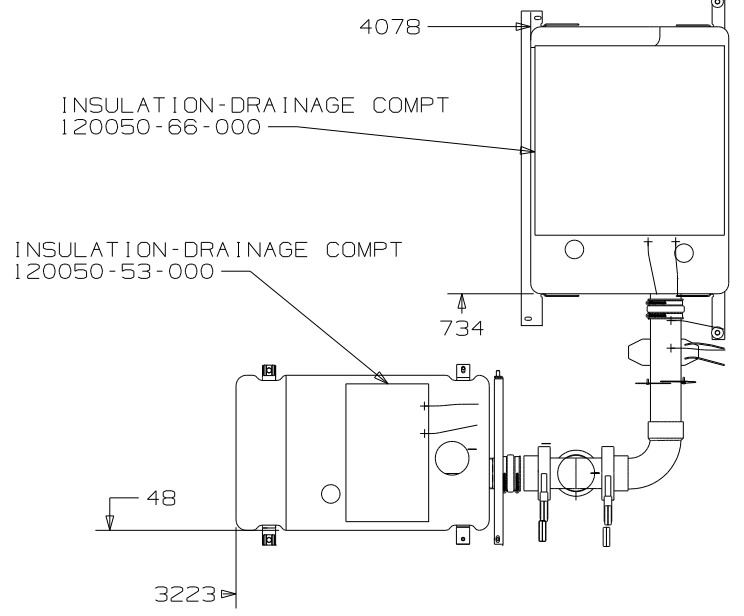
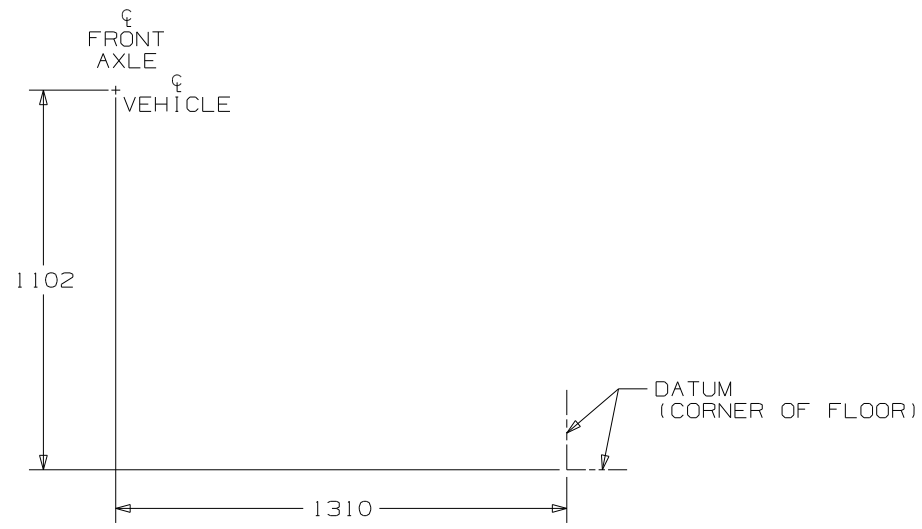
TOILET 464  
147421-01-CHT

SHOWER INSTL  
147936-01-000  
STRAINER  
66440-01-000  
TAILPIECE  
11069-06-000  
NUT  
130403-01-000  
WASHER-RUBBER  
12440-02-000

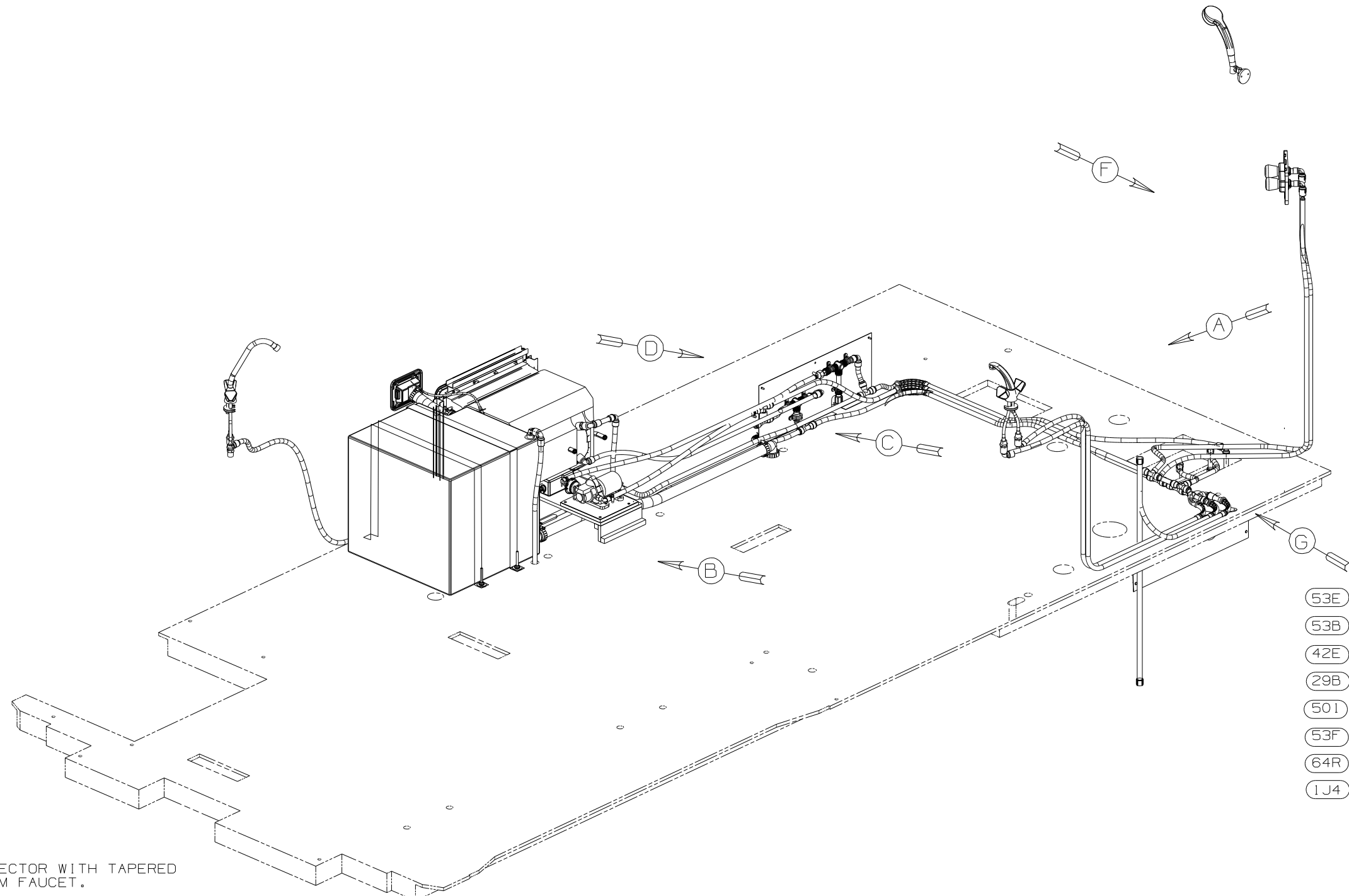
VIEW A

VIEW B

FIRST USED	06 523J
DO NOT SCALE DRAWING	
TITLE	DRAINAGE SYSTEM INSTL
SHEET 2	PART NO 152452 REV



FIRST USED	06 523J
DO NOT SCALE DRAWING	
TITLE	DRAINAGE SYSTEM INSTL
SHEET 3	PART NO 152452 REV

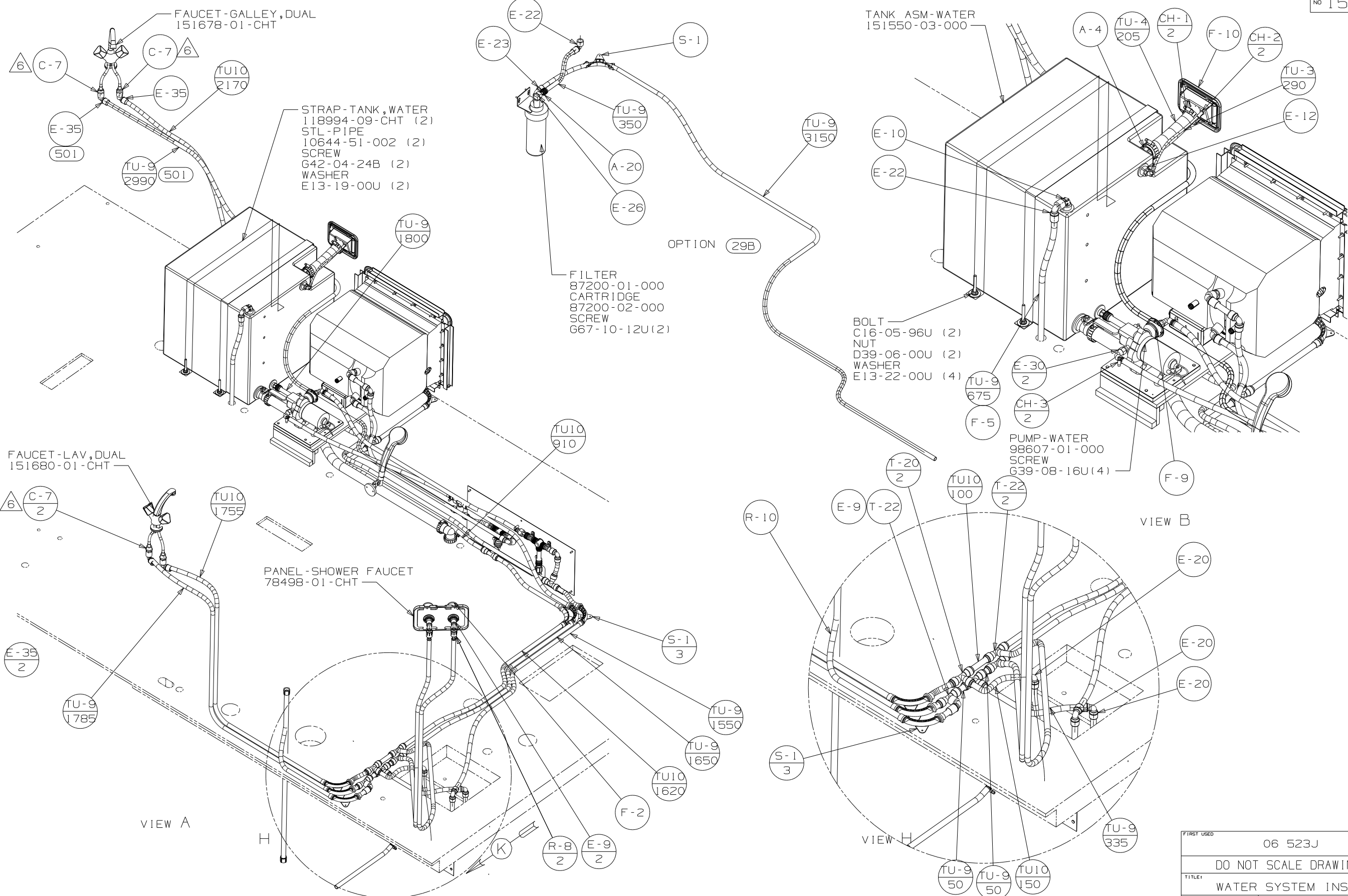


- (53E) WATER SYS WINTERIZATION PKG
- (53B) WTR HTR-G GAL ELEC/LP GAS
- (42E) WATER SYS WINTERIZATION PKG
- (29B) WATER PURIFIER
- (50I) WATER PURIFIER WITHOUT
- (53F) WATER HEATER-ELEC, IGNITION
- (64R) EXTERIOR WASH STATION
- (1J4) EXT WASH STATION-WITHOUT

- NOTES:
- 6. INSTALL CONNECTOR WITH TAPERED END AWAY FROM FAUCET.
  - 5. ADD TEFLON TAPE 10405-01-000.
  - 4. ADD TEFLON TAPE 10405-02-000.
  - 3. ALL TUBING TO BE SECURED AT 1200 INTERVALS MAXIMUM WITH CLAMP 10495-01-000 OR CLIP 9151-01-000 AND SCREW G67-10-12B.
  - 2. TUBING TO BE INSTALLED WITH SUFFICIENT SLOPE TO PROVIDE DRAINAGE TO NEAREST VALVE.
  - 1. PLASTIC FITTINGS TO BE SEALED WITH SEALANT 84456-01-000.

<b>WINNEBAGO</b>		COPYRIGHT 2006 WINNEBAGO INDUSTRIES, INC.	
DFTR	ORIG. DATE		
CHKR	ALL DIMENSIONS ARE IN MILLIMETERS		
P.E.			
M.E.	FIRST USED		
DSNR	06 523J		
UNSPECIFIED TOLERANCES ARE:		MATERIAL:	
WHOLE DIM (X)	: 3		
ONE-PLACE (X.X)	: 1.5		
TWO-PLACE (X.XX)	: 0.50		
ANGLE	: 1°		
THIRD ANGLE PROJECTION			
DO NOT SCALE DRAWING			
TITLE: WATER SYSTEM INSTL			
SHEET 1 OF 4	PART NO	152459	REV
REF:	1 6/13/2006		

(X-X)  
FOR  
WATER  
CALLOUTS  
SEE DWG NO  
116230-01-000



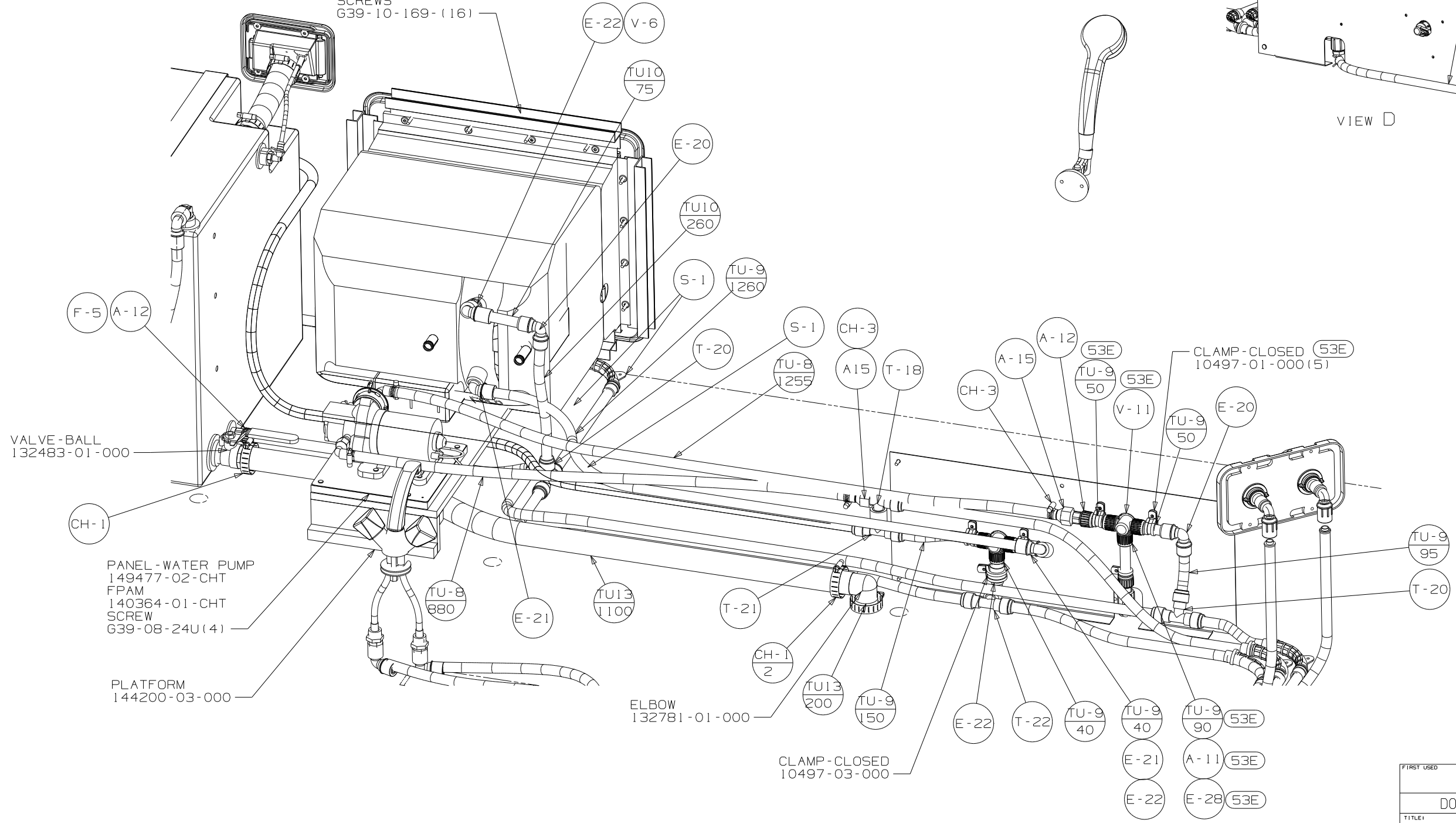
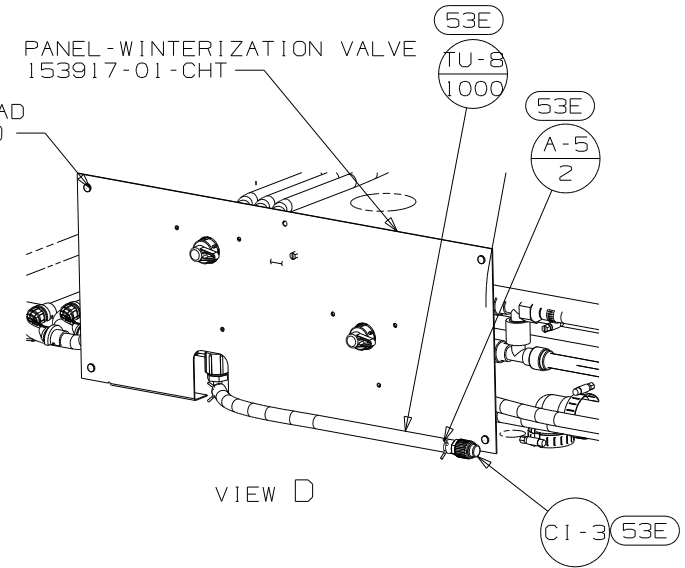
VIEW A

VIEW B

VIEW H

FIRST USED	06 523J
TITLE	DO NOT SCALE DRAWING
TITLE	WATER SYSTEM INSTL
SHEET 2	PART NO 152459 REV

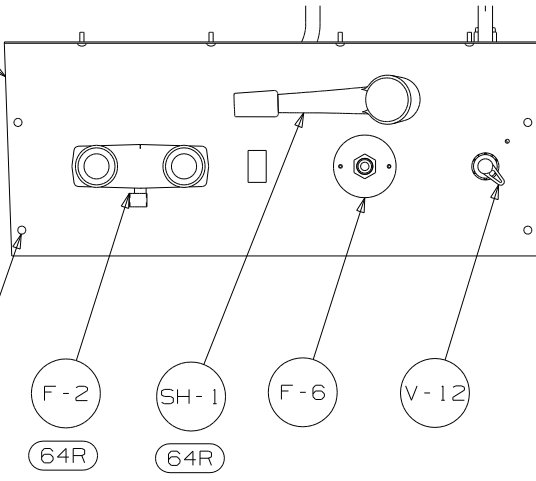
- 53F WATER HEATER  
51391-03-000
- 53B DOOR  
145541-02-000
- 78506-01-CHT  
FLANGE
- 152239-01-CHT  
CABLE
- 76767-03-000  
SCREW
- 611-06-08U (2)  
EXTR
- 151293-51-004(2)  
EXTR
- 151293-51-005(2)  
SCREWS
- G39-10-169-(16)



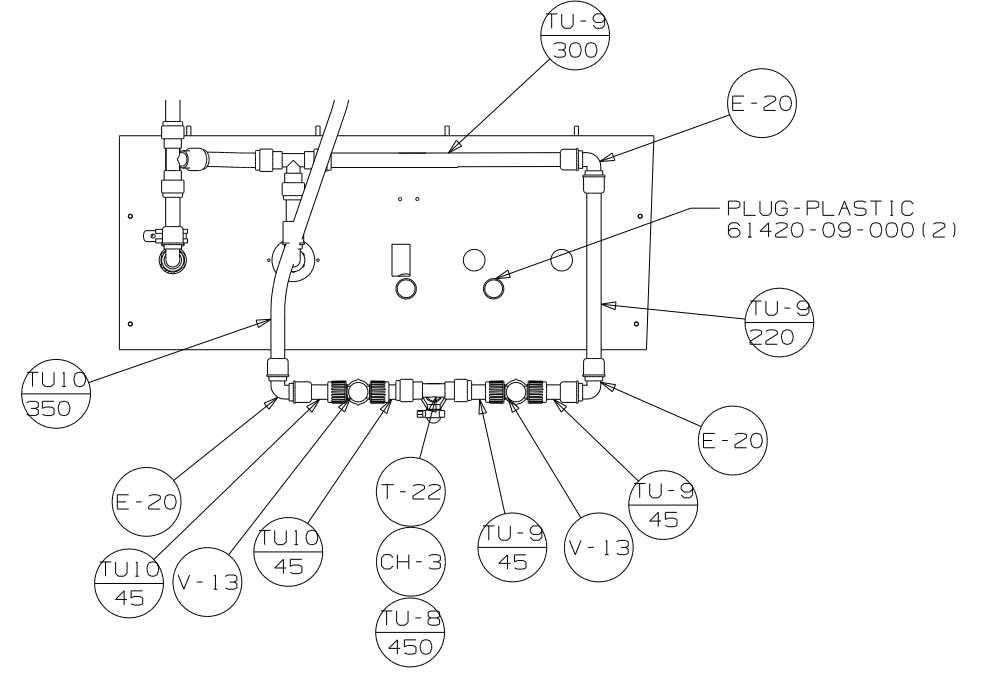
FIRST USED	06 523J
TITLE	DO NOT SCALE DRAWING
SHEET 3	WATER SYSTEM INSTL
PART NO	152459
REV	1 6/13/2006

PANEL - SERVICE CENTER  
151706-02-CHT

SCREW - PAN, HEAD  
G39-10-08U(8)



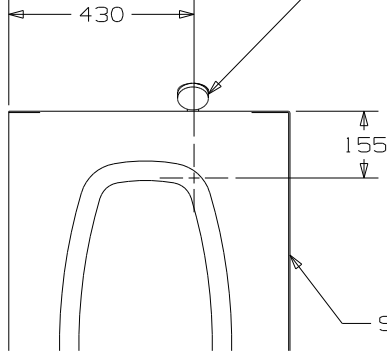
VIEW G



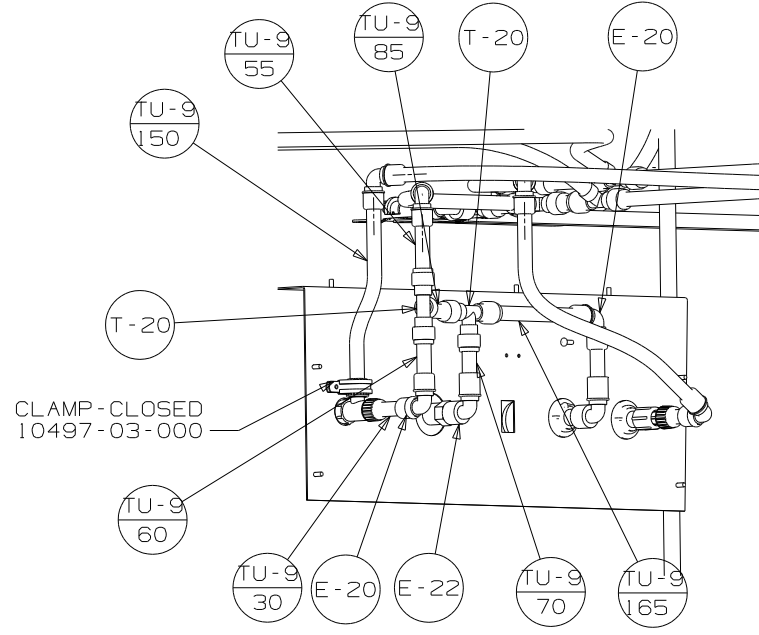
OPTION 1J4

VIEW K

SHOWER HEAD - W/HOSE & BRKT  
129390-04-CHT



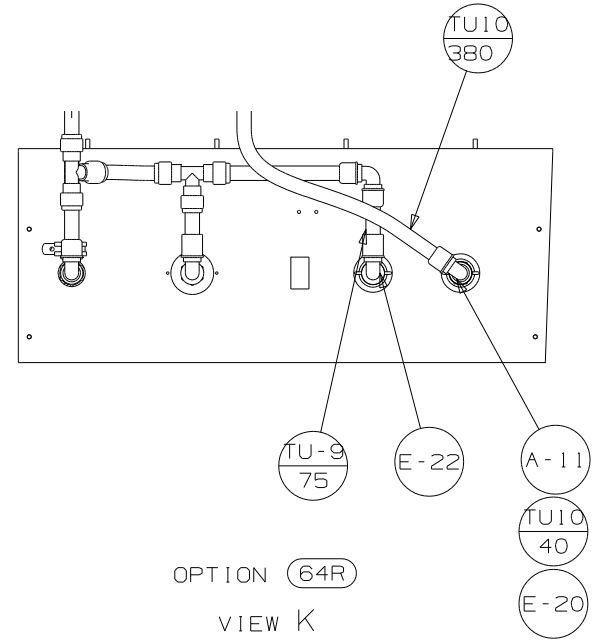
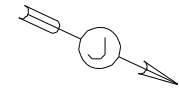
VIEW F



CLAMP - CLOSED  
10497-03-000

(SHOWN WITHOUT FLOOR)  
(SHOWN WITH SHOWER OPTION)

VIEW J



OPTION 64R

VIEW K

FIRST USED	06 523J
DO NOT SCALE DRAWING	
TITLE:	WATER SYSTEM INSTL
SHEET 4	PART NO 152459 REV