

- (265) CODES/STANDARDS-CSA/CMVSS
- (181) CODES/STANDARDS USA
- (464) TOILET
- (1JD) DRAINAGE SYSTEM-HEATED-W/O
- (23T) DRAINAGE SYSTEM-HEATED

6 VENT PIPE MUST PROJECT 51 MIN AND 64 MAX ABOVE ROOF FOR PROPER FIT AND FUNCTION.

- 5. SEAL AROUND SHOWER WITH SILICONE.
- 4. ALL EXTERIOR OPENINGS AROUND PIPE TO BE SEALED WITH 131264-03-000.
- 3. ALL PIPE AND FITTINGS TO BE ASSEMBLED WITH SOLVENT 4020-01-000.
- 2. SLOPE OF TRAP ARM MUST BE 6 PER 305 mm.
- 1. SLOPE OF HORIZONTAL PIPING TO BE MIN 3 PER 305 mm.

NOTES:

WINNEBAGO		COPYRIGHT 2006 WINNEBAGO INDUSTRIES, INC.	
DFTR	ORIG. DATE	ALL DIMENSIONS ARE IN MILLIMETERS	
CHKR		FIRST USED	
P.E.		06 523H	
M.E.		UNSPECIFIED TOLERANCES ARE:	
DSNR		MATERIAL:	
		WHOLE DIM (X)	: 3
		ONE-PLACE (X.X)	: 1.5
		TWO-PLACE (X.XX)	: 0.50
		ANGLE	: 1°
THIRD ANGLE PROJECTION			
DO NOT SCALE DRAWING			
TITLE: DRAINAGE SYSTEM INSTL			
SHEET 1 OF 3	PART NO	151020	REV
REF:	1 6/12/2006		

FOR
DRAINAGE
CALLOUTS
SEE DWG NO
116229-01-000

GALLEY SINK
 151677-02-CHT
 STRAINER
 66437-02-000
 TAILPIECE
 11069-06-000
 NUT
 130403-01-000
 WASHER-RUBBER
 127440-02-000

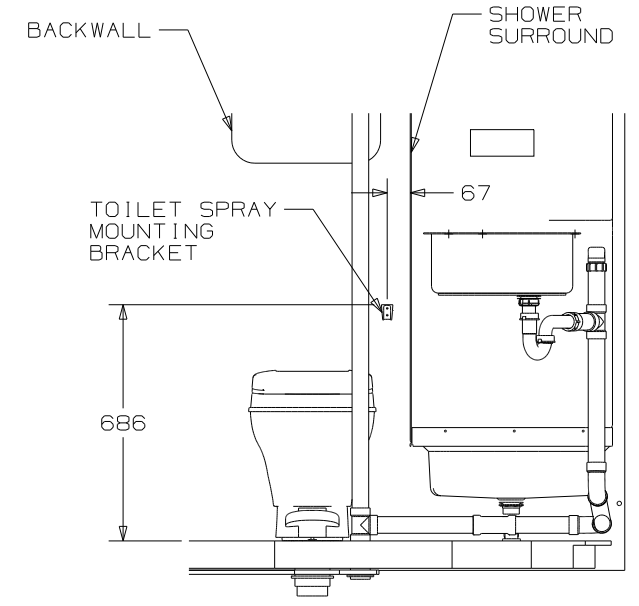
SHOWER INSTL
 147883-01-000
 STRAINER
 66440-01-000
 TAILPIECE
 11069-06-000
 NUT
 130403-01-000
 WASHER-RUBBER
 127440-02-000

SINK-LAV
 151679-01-CHT
 STRAINER
 66437-02-000
 TAILPIECE
 11069-03-000
 NUT
 130403-01-000
 WASHER-RUBBER
 127440-02-000

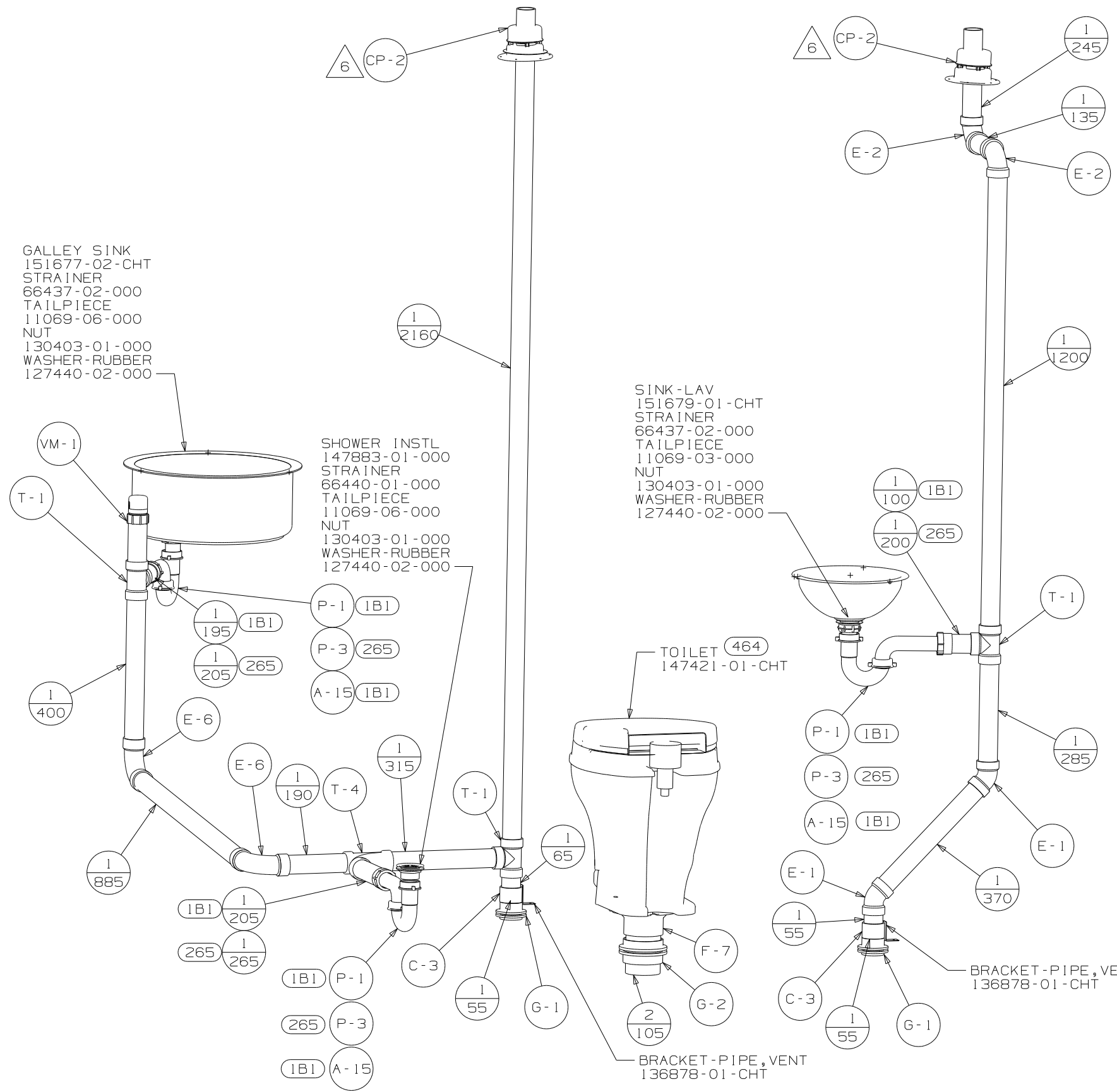
TOILET 464
 147421-01-CHT

BRACKET-PIPE, VENT
 136878-01-CHT

BRACKET-PIPE, VENT
 136878-01-CHT

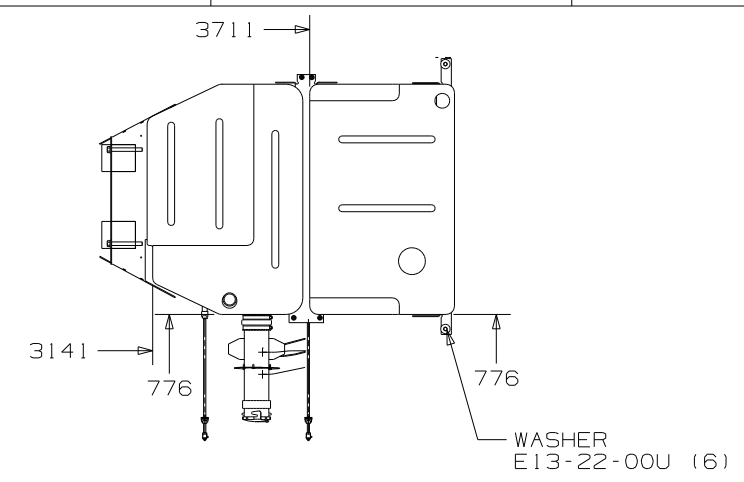
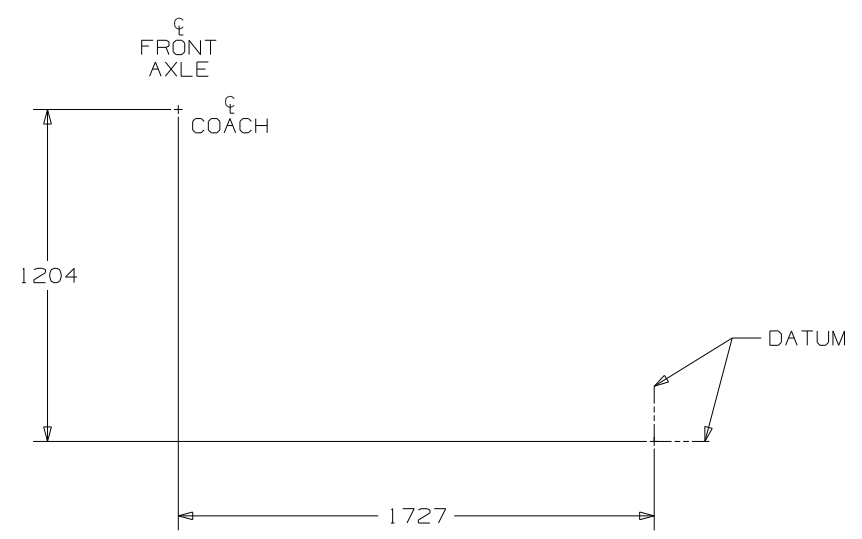


VIEW D

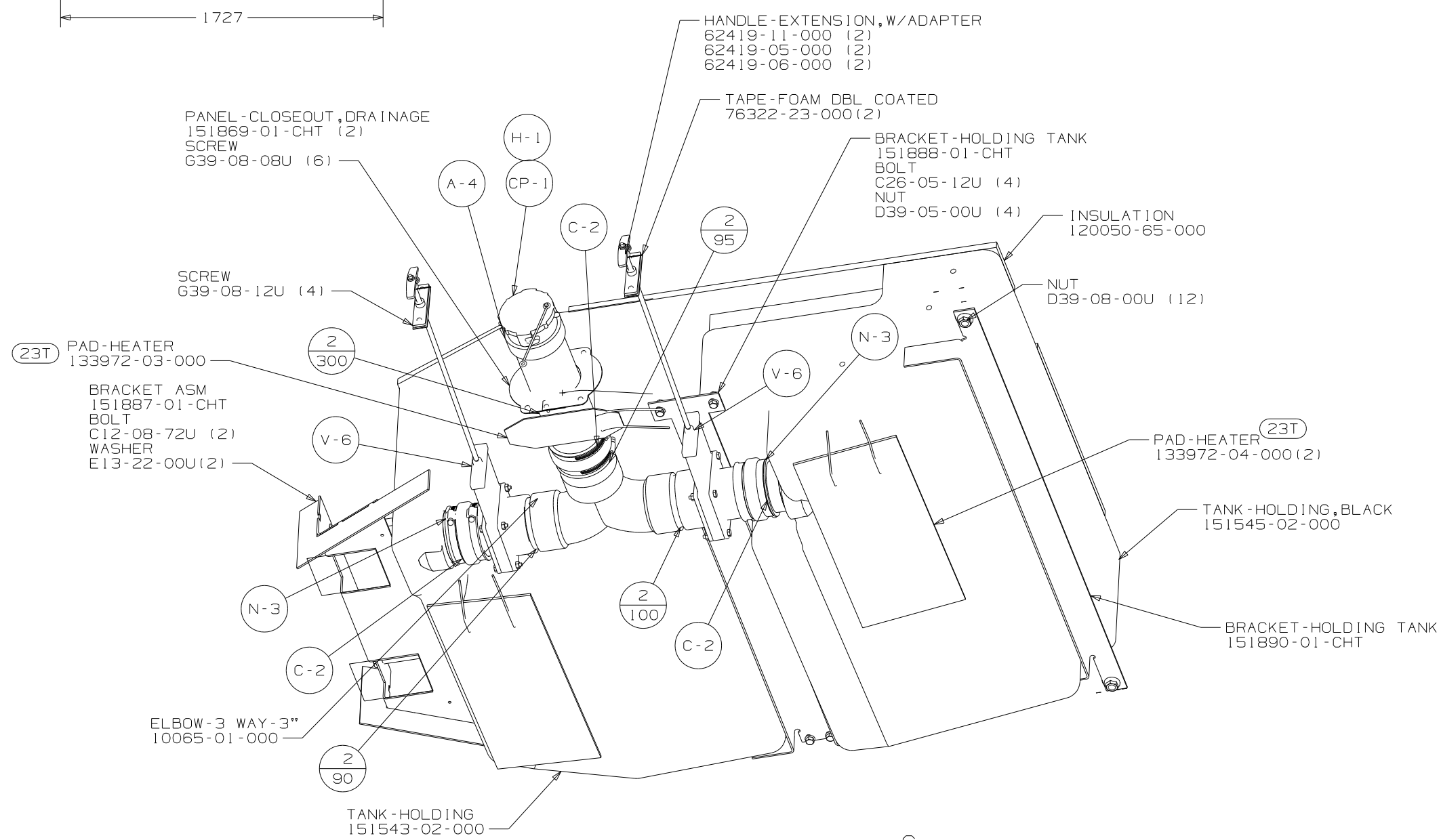


VIEW A

FIRST USED	06 523H	
TITLE	DO NOT SCALE DRAWING	
	DRAINAGE SYSTEM INSTL	
SHEET 2	PART NO	151020
	REV	

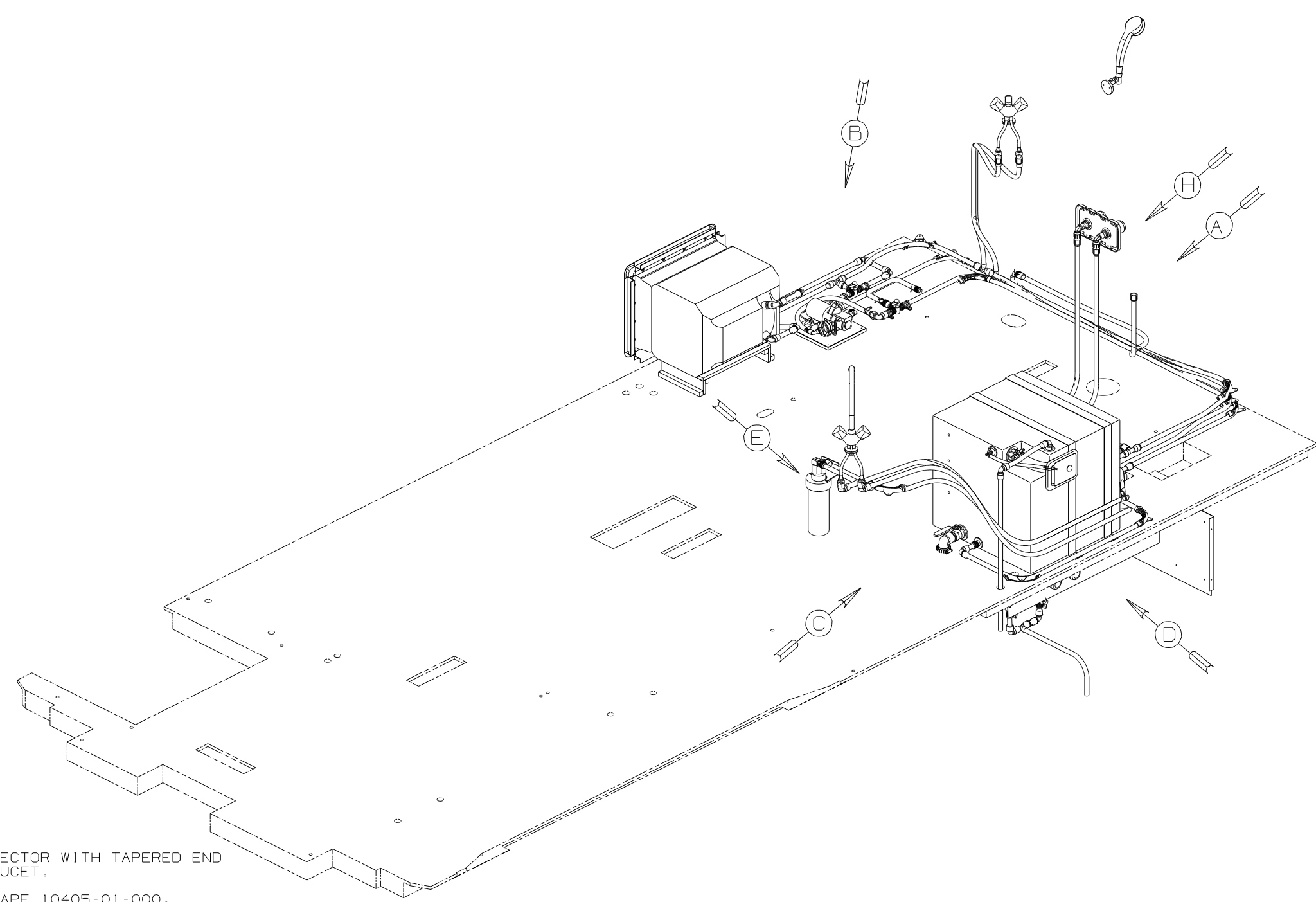


VIEW B



VIEW C

FIRST USED	06 523H	
TITLE	DO NOT SCALE DRAWING	
SHEET 3	PART NO	REV
	151020	
I 6/12/2006		

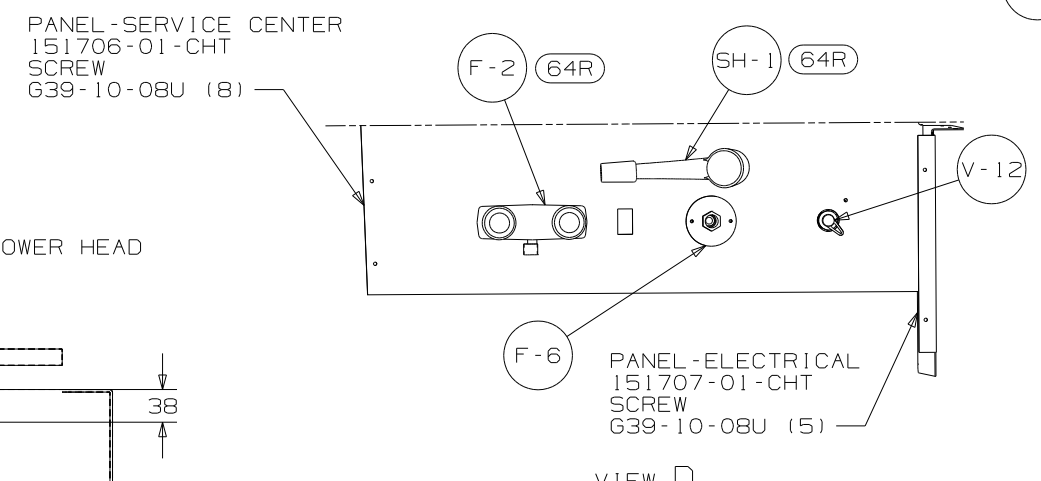
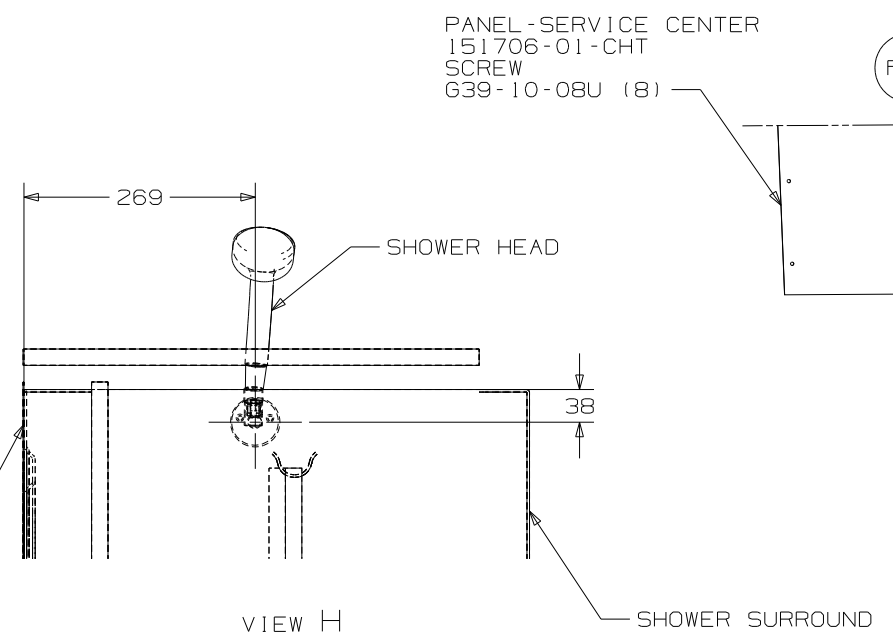
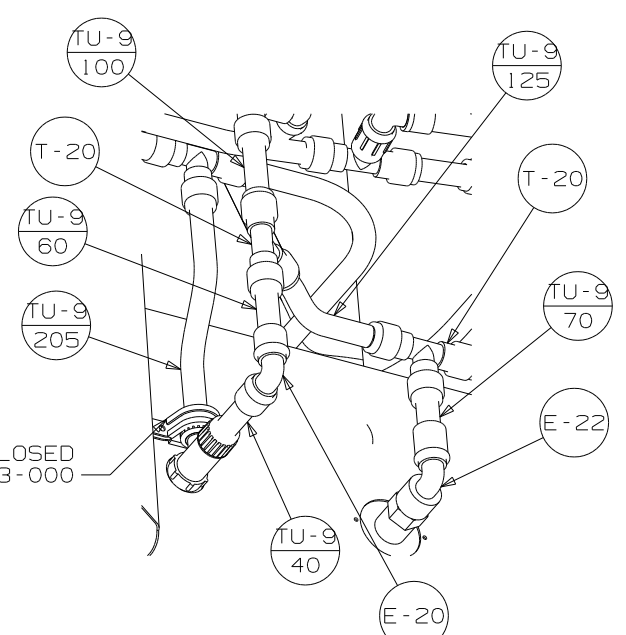
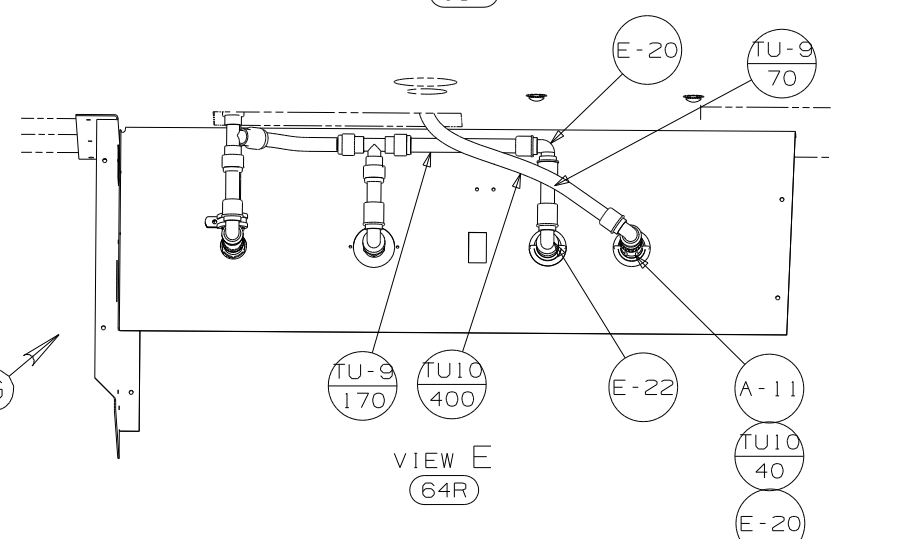
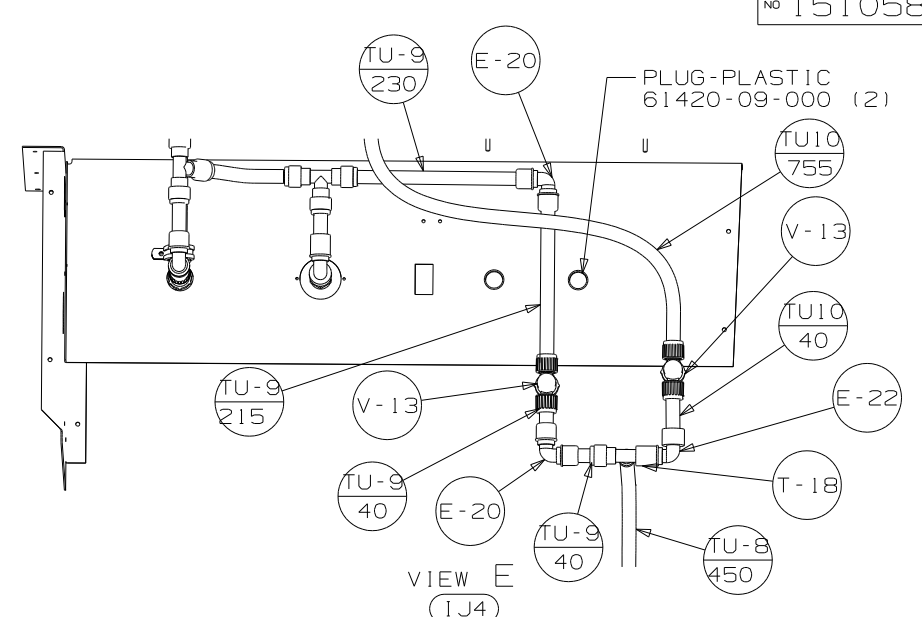
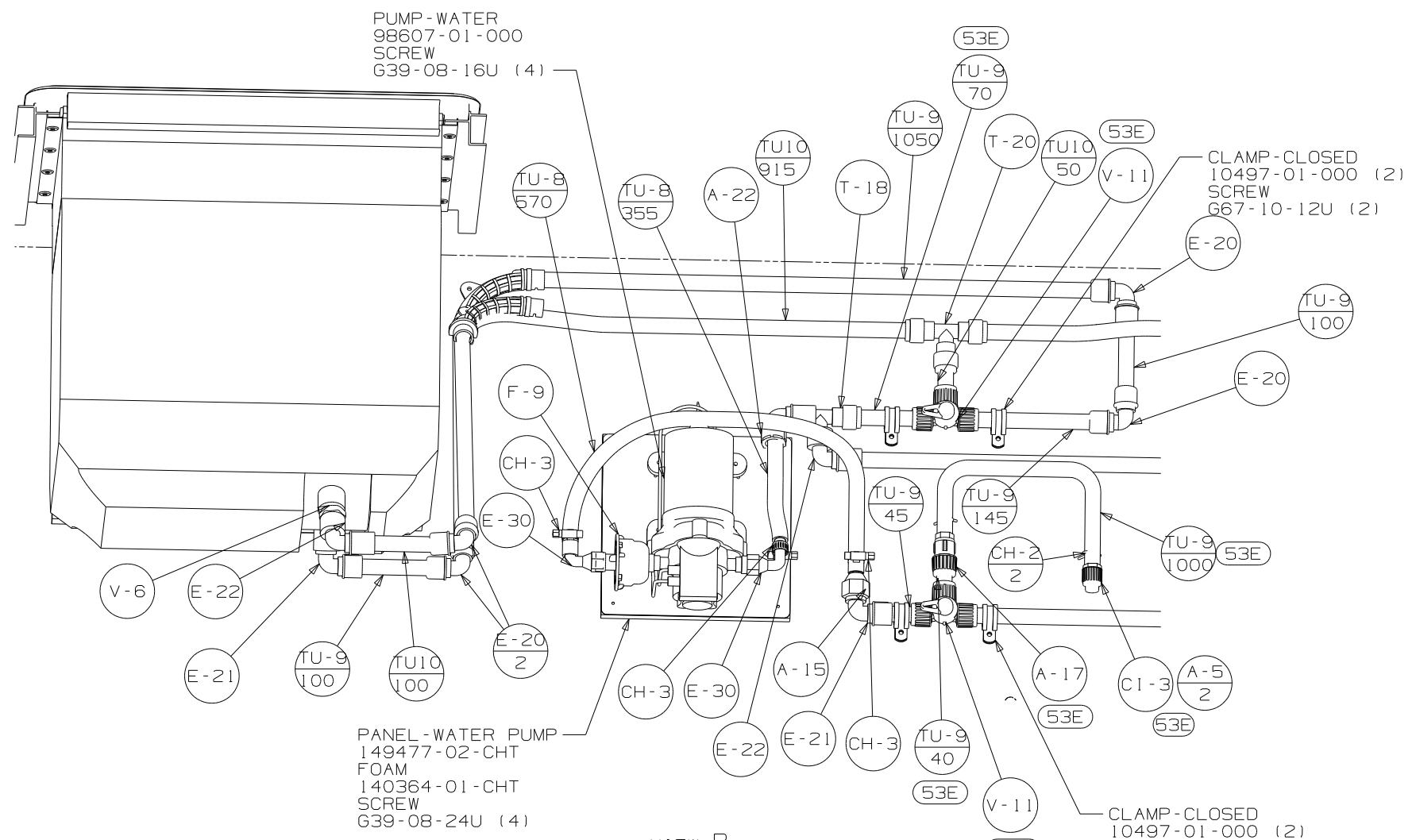


- (53B) WTR HTR-6GAL ELECTRIC/LP GAS
- (29B) WATER PURIFIER
- (501) WATER PURIFIER W/O
- (53E) WINTERIZING PKG
- (53F) WATER HEATER-ELEC. IGN.
- (64R) EXT WASH STATION
- (1J4) EXT WASH STATION W/O

- NOTES:
- 7 INSTALL CONNECTOR WITH TAPERED END AWAY FROM FAUCET.
 - 6 ADD TEFLON TAPE 10405-01-000.
 - 5 ADD TEFLON TAPE 10405-02-000.
 - 4 FLUSHING SYSTEM REQUIRES 125697-06-000 INSTRUCTION SHEET.
3. ALL TUBING TO BE SECURED AT 1200 INTERVALS MAXIMUM WITH CLAMP 10495-01-00 AND SCREW G67-10-12B OR EQUIVALENT.
 2. TUBING TO BE INSTALLED WITH SUFFICIENT SLOPE TO PROVIDE DRAINAGE TO NEAREST VALVE.
 1. PLASTIC FITTINGS TO BE SEALED WITH SEALANT 84456-01-000.

(X-X)
FOR
WATER
CALLOUTS
SEE DWG NO
116230-01-000

WINNEBAGO		COPYRIGHT 2006 WINNEBAGO INDUSTRIES, INC.	
DFTR	ORIG. DATE	ALL DIMENSIONS ARE IN MILLIMETERS	
CHKR		FIRST USED	
P.E.		06 523H	
M.E.		UNSPECIFIED TOLERANCES ARE:	
DSNR		MATERIAL:	
		WHOLE DIM (X)	: 3
		ONE-PLACE (X.X)	: 1.5
		TWO-PLACE (X.XX)	: 0.50
		ANGLE	: 1°
THIRD ANGLE PROJECTION		DO NOT SCALE DRAWING	
TITLE: WATER SYSTEM INSTL			
SHEET 1 OF 3	PART NO	151058	REV
REF:	1 6/12/2006		



FIRST USED	06 523H
TITLE	DO NOT SCALE DRAWING
TITLE	WATER SYSTEM INSTL
SHEET 3	PART NO 151058 REV