



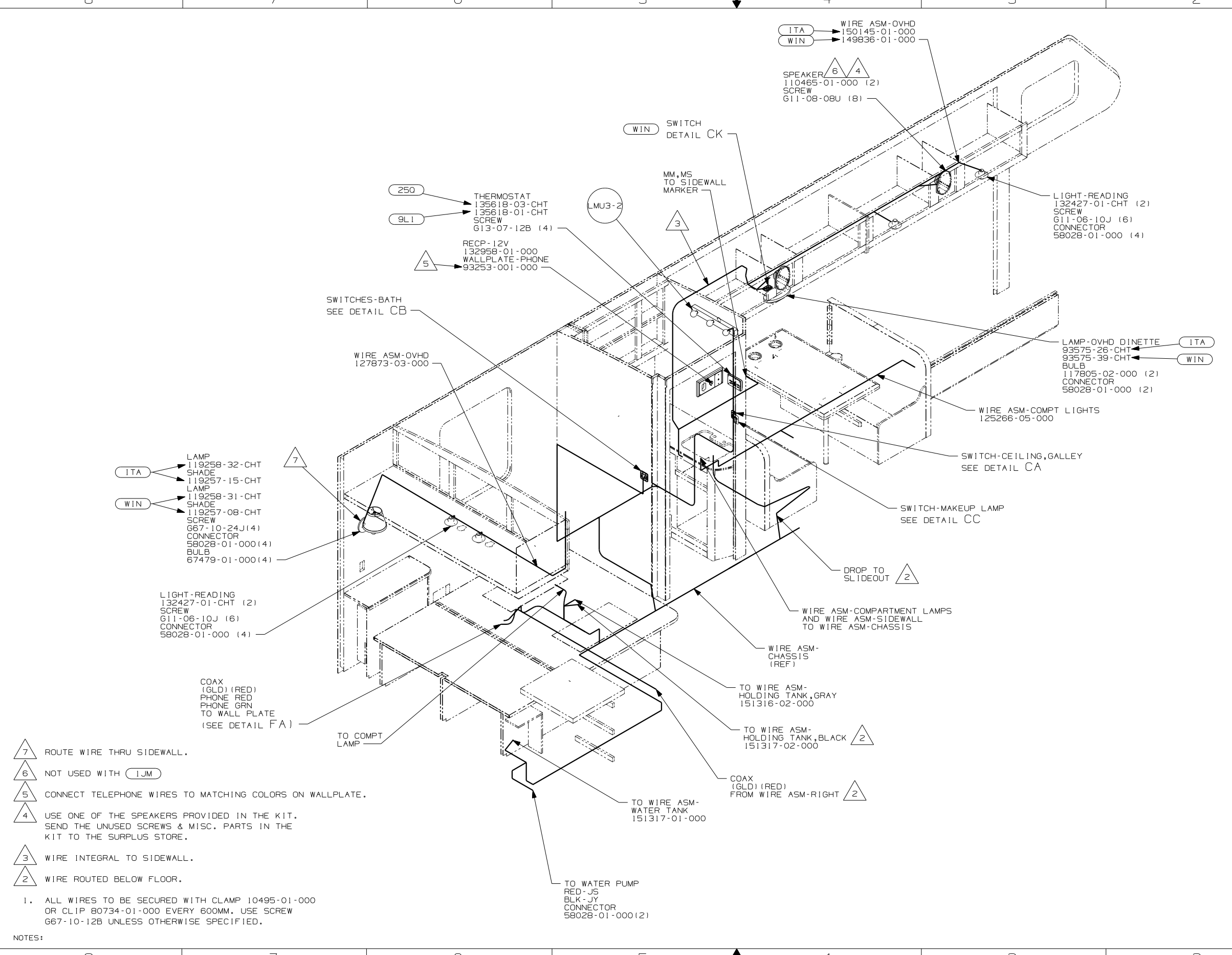
DANGER

Danger of electrical shock, burns or death. Always remove all power sources before attempting any repair, service or diagnostic work. Power can be present from shore power, generator, inverter or battery. All power sources must be disabled and secured before performing any service.



CAUTION

If you lack the skills, tools or equipment to perform diagnostic or repair work leave such work to an authorized Winnebago Industries dealer or other qualified shop.

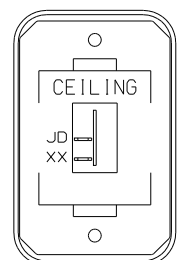


- ITA ITASCA ONLY
- WIN WINNEBAGO ONLY
- IJM HOME THEATER SOUND SYSTEM
- 9L1 HOME COMFORT PLUS PACKAGE
- 250 A/C ROOF AIR (1) 14,800 BTU

- 7 ROUTE WIRE THRU SIDEWALL.
 - 6 NOT USED WITH IJM
 - 5 CONNECT TELEPHONE WIRES TO MATCHING COLORS ON WALLPLATE.
 - 4 USE ONE OF THE SPEAKERS PROVIDED IN THE KIT. SEND THE UNUSED SCREWS & MISC. PARTS IN THE KIT TO THE SURPLUS STORE.
 - 3 WIRE INTEGRAL TO SIDEWALL.
 - 2 WIRE ROUTED BELOW FLOOR.
1. ALL WIRES TO BE SECURED WITH CLAMP 10495-01-000 OR CLIP 80734-01-000 EVERY 600MM. USE SCREW 667-10-12B UNLESS OTHERWISE SPECIFIED.

WINNEBAGO		COPYRIGHT 2004 WINNEBAGO INDUSTRIES, INC.	
DFTR	ORIG. DATE	ALL DIMENSIONS ARE IN MILLIMETERS	
CHKR		FIRST USED	
P.E.		06 431C	
M.E.		UNSPECIFIED TOLERANCES ARE:	
DSNR		MATERIAL:	
		WHOLE DIM (X)	:
		ONE-PLACE (X.X)	:
		TWO-PLACE (X.XX)	:
		ANGLE	:
THIRD ANGLE PROJECTION		DO NOT SCALE DRAWING	
TITLE: WIRING INSTL-BODY, 12V			
SHEET 1 of 6		PART NO 154600	
REF:		1 10/18/2005	

WARNING UNDERSTAND OPERATOR'S MANUAL BEFORE USING
KEEP PEOPLE AND OBSTRUCTIONS CLEAR OF
SLIDEOUT ROOM WHEN OPERATING TO AVOID
INJURY AND/OR PROPERTY DAMAGE



SWITCH-ROCKER
135740-01-CHT
SWITCH-BASE
135741-01-CHT
SWITCH-BEZEL
135742-07-CHT
SCREW
G11-08-08U (2)

DETAIL CA

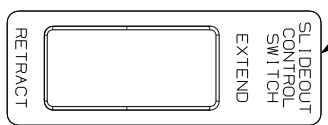


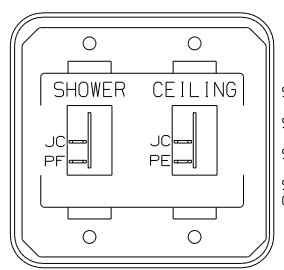
PLATE-SWITCH
144363-10-CHT
SWITCH
108357-06-CHT
ACTUATOR
108356-02-CHT
NUT
D65-08-00B (2)
LABEL
116220-01-000

DETAIL CE



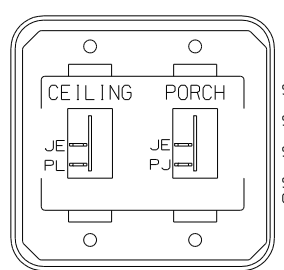
SWITCH-BATTERY, DISC
108357-06-000
ACTUATOR-SWITCH
108356-11-CHT

DETAIL CH
(FRONT SIDE)



SWITCH-ROCKER
135740-01-CHT (2)
SWITCH-BASE
135741-02-CHT
SWITCH-BEZEL
135742-15-CHT
SCREW
G11-08-08U (4)

DETAIL CB



SWITCH-ROCKER
135740-01-CHT (2)
SWITCH-BASE
135741-02-CHT
SWITCH-BEZEL
135742-19-CHT
SCREW
G11-08-08U (4)

DETAIL CF

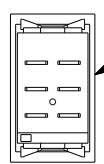
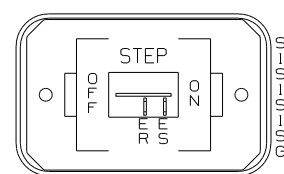


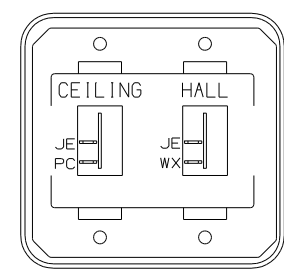
PLATE-SWITCH
98351-07-CHT
SCREW
G11-06-10U (6)

DETAIL CH
(BACK SIDE)

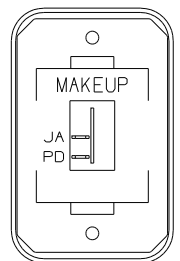


SWITCH-ROCKER
135740-01-CHT
SWITCH-BASE
135741-01-CHT
SWITCH-BEZEL
135742-11-CHT
SCREW
G11-08-08U (2)

DETAIL CF

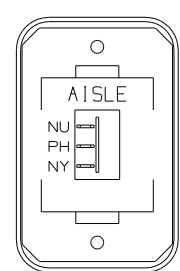


SWITCH-ROCKER
135740-01-CHT (2)
SWITCH-BASE
135741-02-CHT
SWITCH-BEZEL
135742-16-CHT
SCREW
G11-08-08U (4)



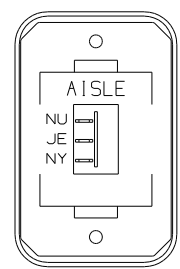
SWITCH-ROCKER
135740-01-CHT
SWITCH-BASE
135741-01-CHT
SWITCH-BEZEL
135742-08-CHT
SCREW
G11-08-08U (2)

DETAIL CC



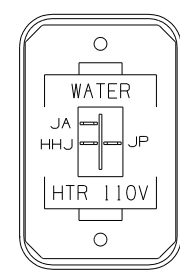
SWITCH-ROCKER
135740-02-CHT
SWITCH-BASE
135741-01-CHT
SWITCH-BEZEL
135742-06-CHT
SCREW
G11-08-08U (2)

DETAIL CG



SWITCH-ROCKER
135740-02-CHT
SWITCH-BASE
135741-01-CHT
SWITCH-BEZEL
135742-06-CHT
SCREW
G11-08-08U (2)

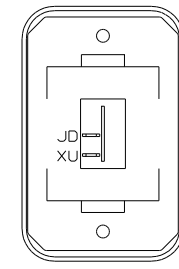
DETAIL CJ



SWITCH-ROCKER
135740-06-CHT
SWITCH-BASE
135741-01-CHT
SWITCH-BEZEL
135742-35-CHT
SCREW
G11-08-08U (2)

DETAIL CD

53D

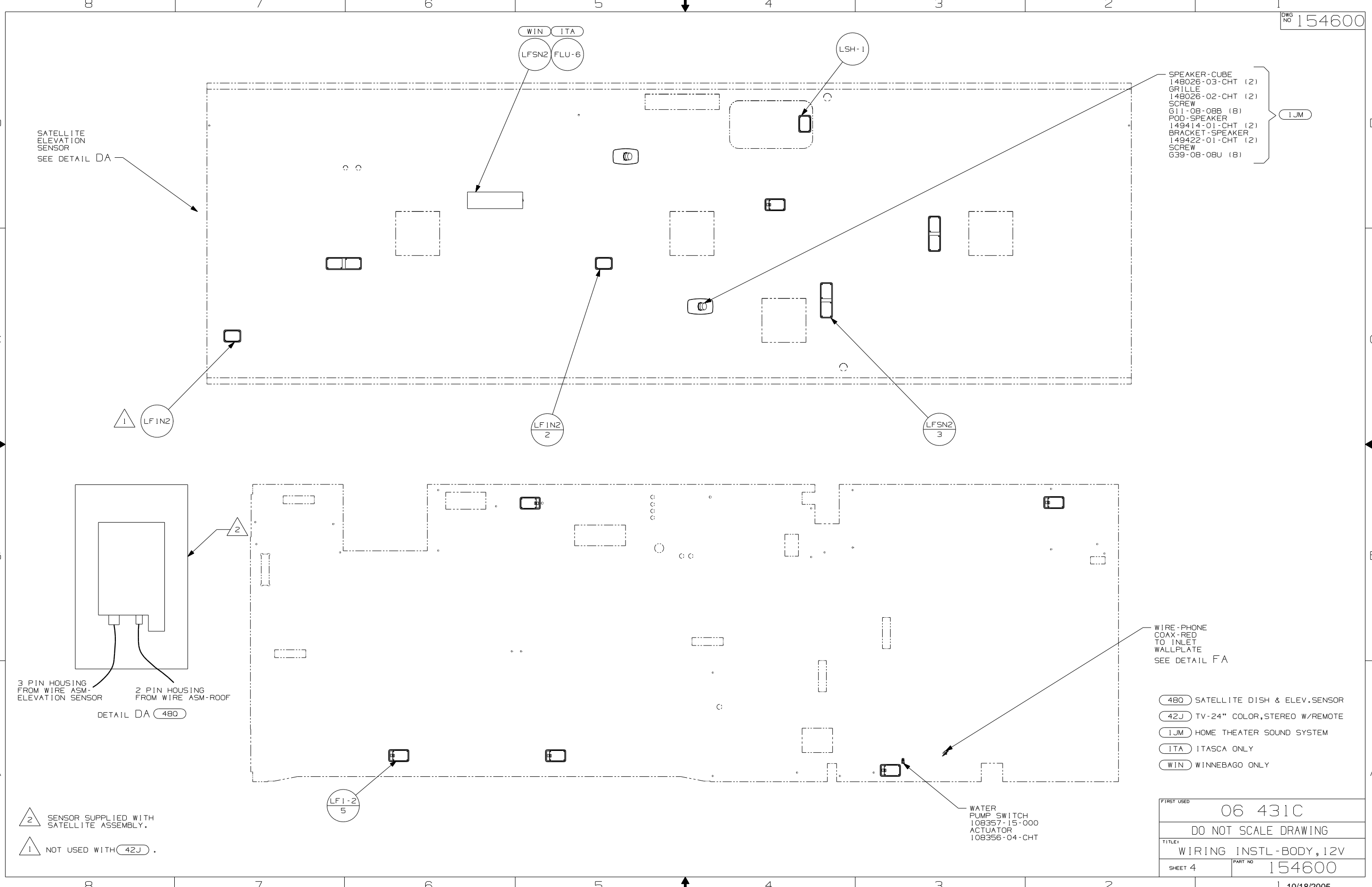


SWITCH-ROCKER
135740-01-CHT
SWITCH-BASE
135741-01-CHT
SWITCH-BEZEL
135742-01-CHT
SCREW
G11-08-08U (2)

DETAIL CK

- 53D WTR HTR-66AL/ELE/LP/MOTORAID
- ID5 ENTERTAINMENT CENTR/EXT W/CD
- 480 SATELLITE DISH & ELEV.SENSOR

FIRST USED	06 431C
TITLE	DO NOT SCALE DRAWING
TITLE	WIRING INSTL -BODY, 12V
SHEET 3	PART NO 154600



SATELLITE ELEVATION SENSOR
SEE DETAIL DA

SPEAKER-CUBE
148026-03-CHT (2)
GRILLE
148026-02-CHT (2)
SCREW
G11-08-08B (8)
POD-SPEAKER
149414-01-CHT (2)
BRACKET-SPEAKER
149422-01-CHT (2)
SCREW
G39-08-08U (8)

IJM

3 PIN HOUSING FROM WIRE ASM-ELEVATION SENSOR
2 PIN HOUSING FROM WIRE ASM-ROOF
DETAIL DA 480

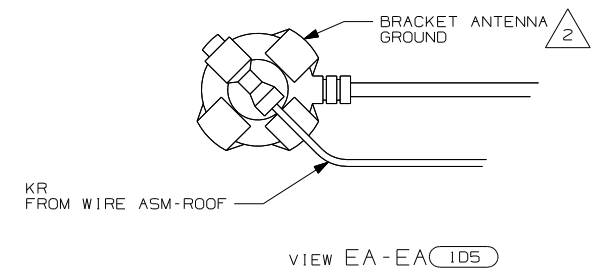
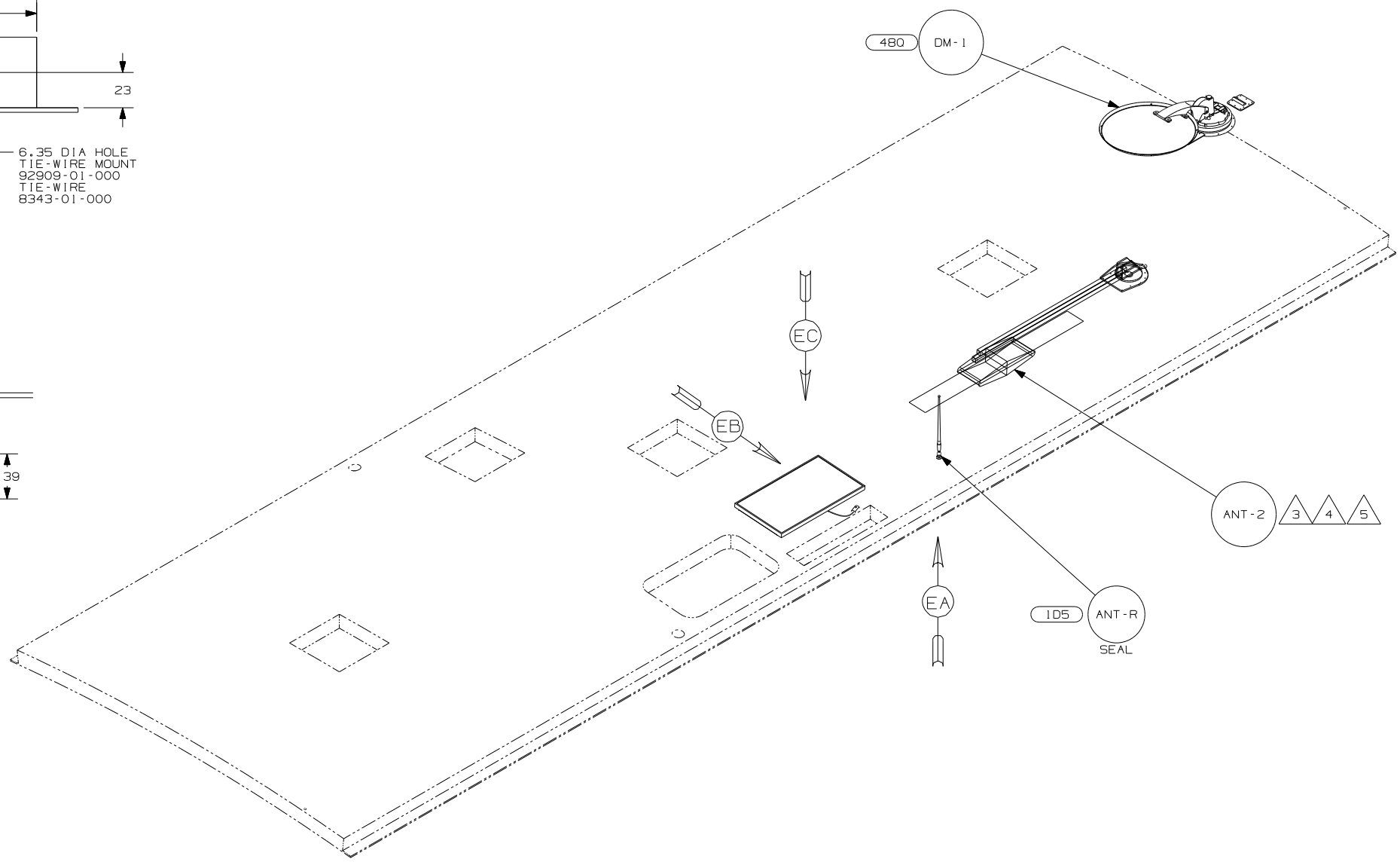
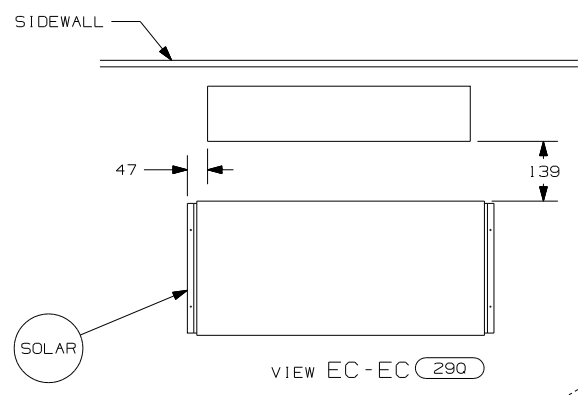
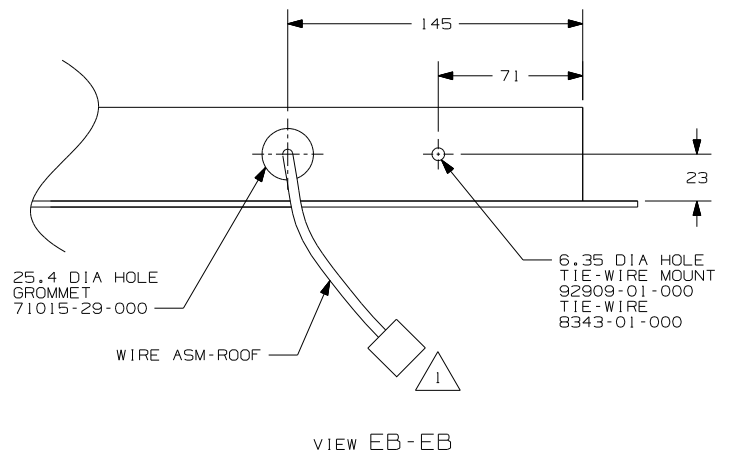
WIRE-PHONE COAX-RED TO INLET WALLPLATE
SEE DETAIL FA

- 480 SATELLITE DISH & ELEV.SENSOR
- 42J TV-24" COLOR,STEREO W/REMOTE
- IJM HOME THEATER SOUND SYSTEM
- ITA ITASCA ONLY
- WIN WINNEBAGO ONLY

- 2 SENSOR SUPPLIED WITH SATELLITE ASSEMBLY.
- 1 NOT USED WITH 42J.

WATER PUMP SWITCH
108357-15-000
ACTUATOR
108356-04-CHT

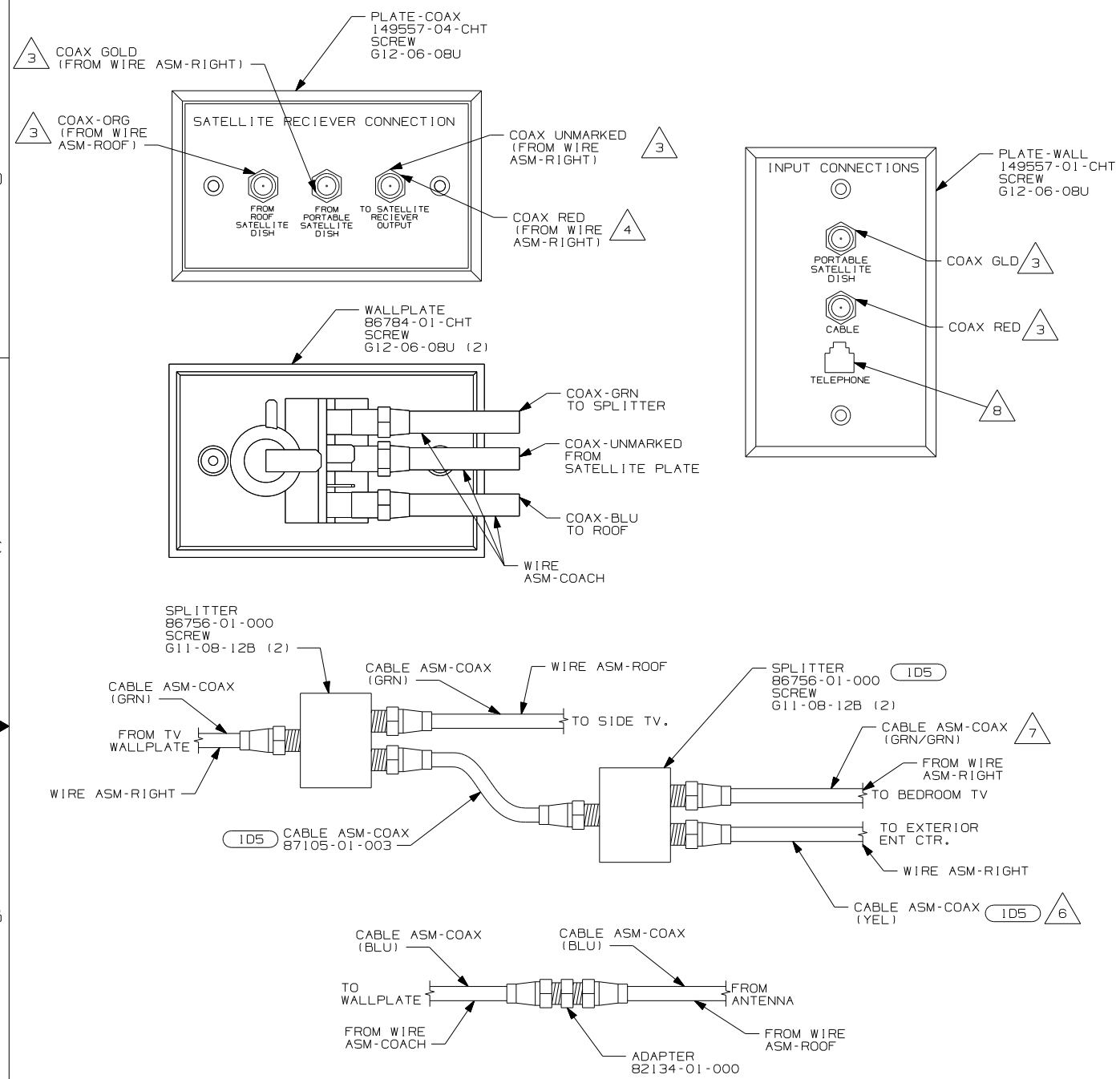
FIRST USED	06 431C
DO NOT SCALE DRAWING	
TITLE:	WIRING INSTL-BODY, 12V
SHEET 4	PART NO 154600



- NOTES:
- 5 ADD RUBBER BUMPER TO ROOF UNDER EACH END OF ANTENNA IN DOWN POSITION WHICH MAY COME INTO CONTACT WITH ROOF SURFACE.
 - 4 LOCATE CLAMP TO RETAIN CABLE BUT NOT TO RESTRICT ANTENNA TRAVEL.
 - 3 SEE DRAWING 76319-01-000 FOR INSTALLATION OF TV ANTENNA.
 - 2 WRAP BRACKET LEGS AROUND ANTENNA BASE.
 - 1 FASTEN TO VENT.

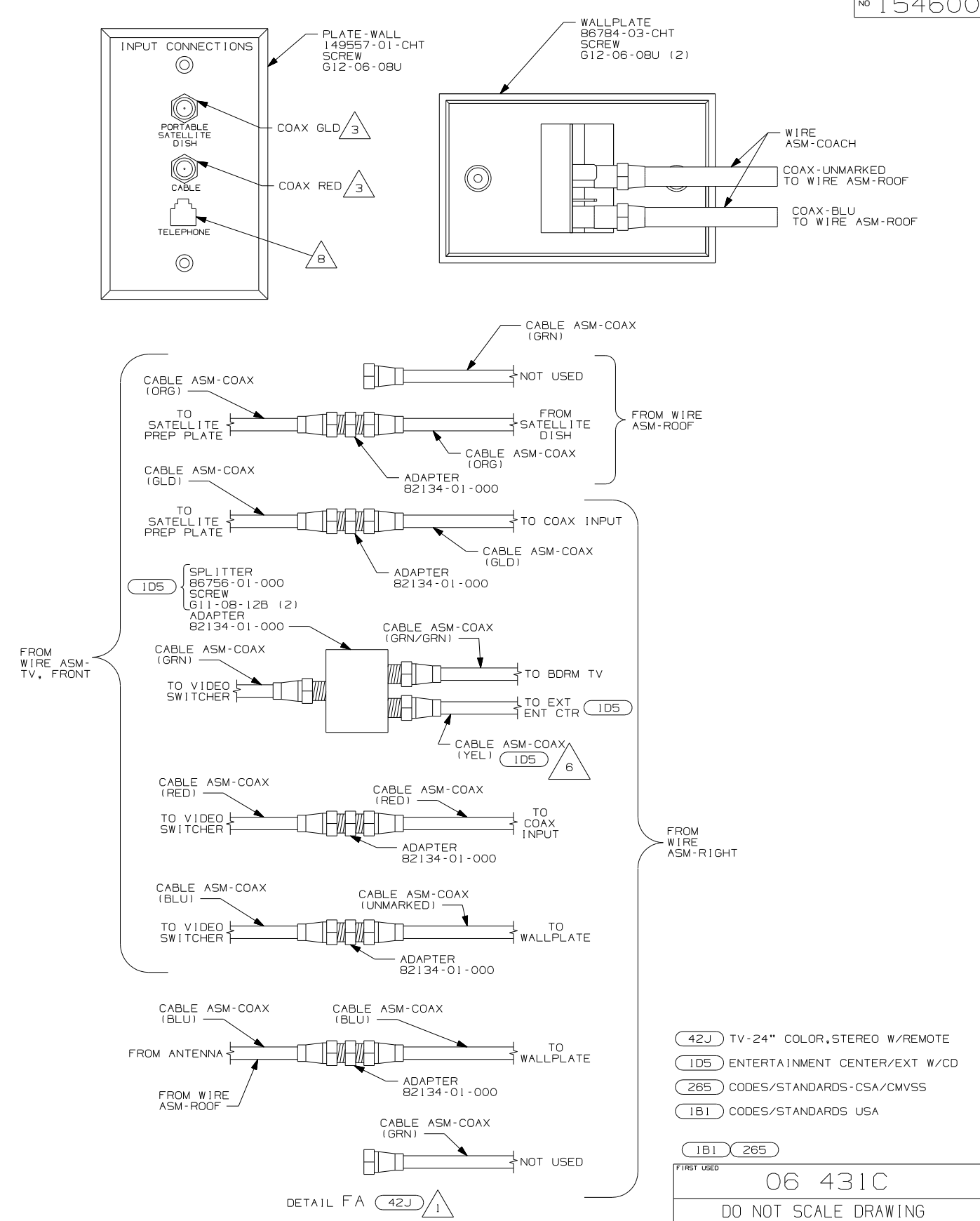
- (290) SOLAR PANEL - 10 WATT
- (ID5) ENTERTAINMENT CENTR/EXT W/CD
- (480) SATELLITE DISH & ELEV.SENSOR

FIRST USED	06 431C
DO NOT SCALE DRAWING	
TITLE:	WIRING INSTL - BODY, 12V
SHEET 5	PART NO 154600



DETAIL FA 2

- NOTES:
- 8 CONNECT TELEPHONE WIRES TO MATCHING COLORS ON PLATE-WALL.
 - 7 COAX IS CONNECTED TO FIRST SPLITTER WITHOUT (ID5).
 - 6 COAX NOT USED WITHOUT (ID5).
 - 5 WITH SIDE ENTERRAINMENT CENTER, SEE WIRING INSTL-TV/VCR, SIDE FOR ADDITIONAL INFORMATION.
 - 4 CONNECT COAX TO FRONT SIDE OF WALLPLATE.
 - 3 CONNECT COAX TO BACKSIDE OF WALLPLATE.
 - 2 WITHOUT (42J).
 - 1 WITH FRONT ENTERRAINMENT CENTER, SEE WIRING INSTL-TV/VCR, FRONT FOR ADDITIONAL INFORMATION.



DETAIL FA 42J 1

- (42J) TV-24" COLOR, STEREO W/REMOTE
- (ID5) ENTERTAINMENT CENTER/EXT W/CD
- (265) CODES/STANDARDS-CSA/CMVSS
- (IB1) CODES/STANDARDS USA

FIRST USED	06 431C
TITLE	DO NOT SCALE DRAWING
	WIRING INSTL-BODY, 12V
SHEET 6	PART NO 154600