



DANGER

Danger of electrical shock, burns or death. Always remove all power sources before attempting any repair, service or diagnostic work. Power can be present from shore power, generator, inverter or battery. All power sources must be disabled and secured before performing any service.

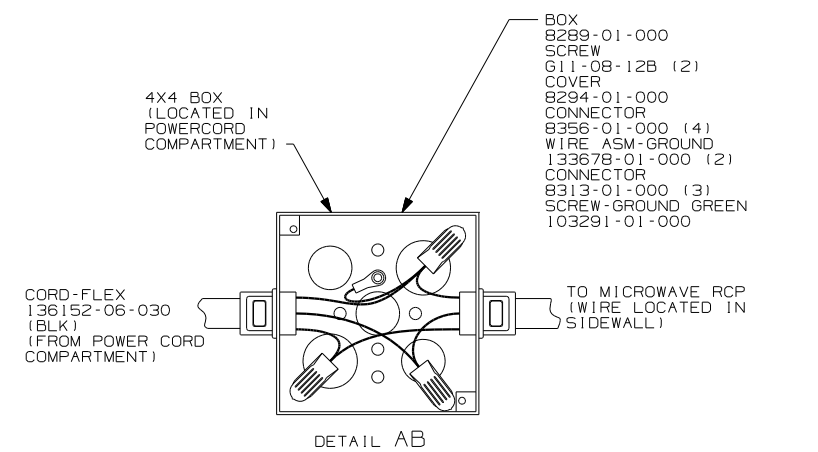
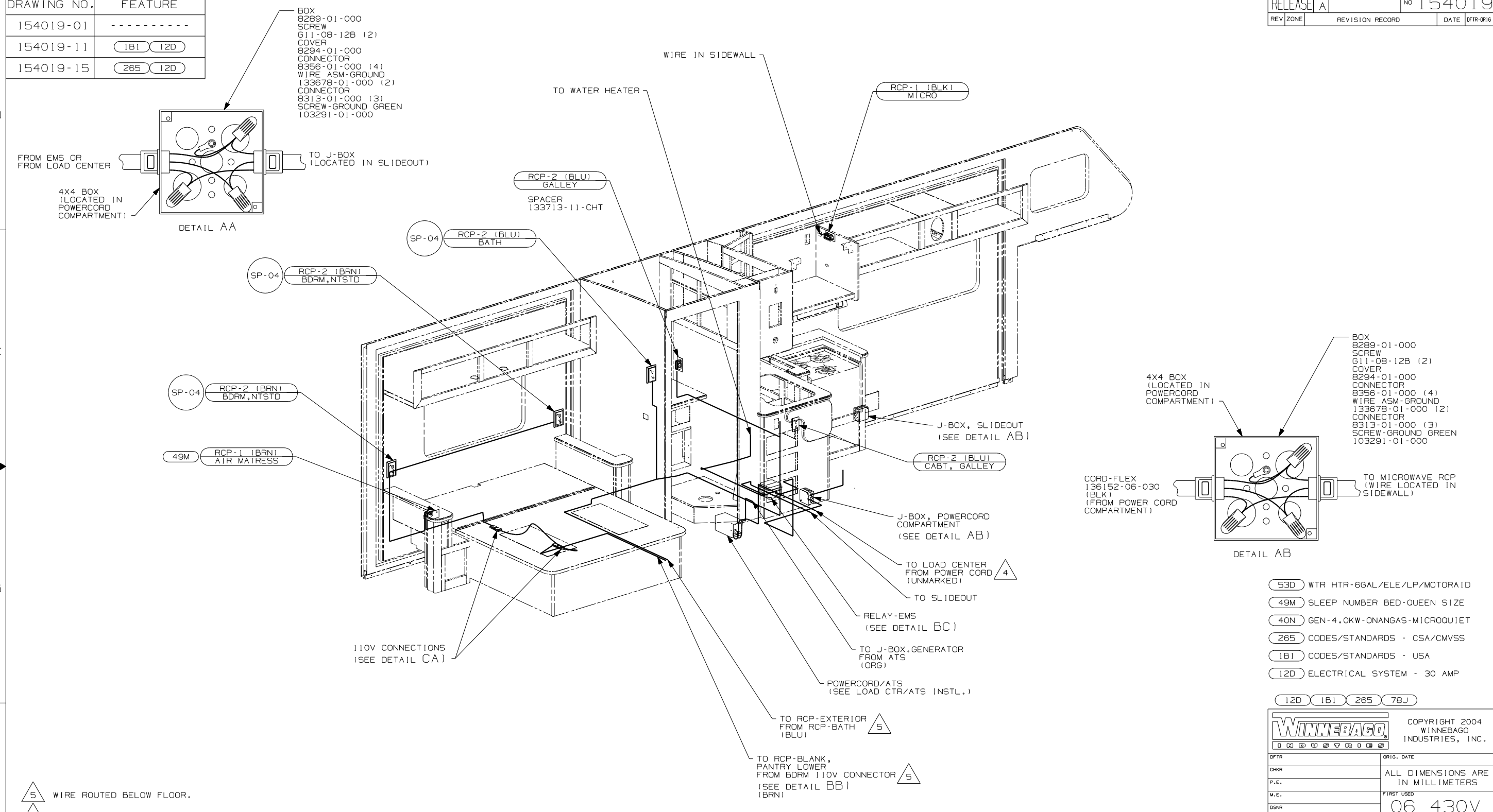


CAUTION

If you lack the skills, tools or equipment to perform diagnostic or repair work leave such work to an authorized Winnebago Industries dealer or other qualified shop.

DRAWING NO.	FEATURE
154019-01	-----
154019-11	(1B1) (12D)
154019-15	(265) (12D)

RELEASE	REV/DATE	DWG NO
	A	154019
REV ZONE	REVISION RECORD	DATE
		DFTR-0016



- (53D) WTR HTR-6GAL/ELE/LP/MOTORA ID
- (49M) SLEEP NUMBER BED-QUEEN SIZE
- (40N) GEN-4.0KW-ONANGAS-MICROQUIET
- (265) CODES/STANDARDS - CSA/CMVSS
- (1B1) CODES/STANDARDS - USA
- (12D) ELECTRICAL SYSTEM - 30 AMP

- 5 WIRE ROUTED BELOW FLOOR.
- 4 ROUTE WIRE THRU FLOOR.

3. ALL GROUND WIRE TO BE COVERED WITH TUBING 8041-02-000.
2. ALL 110V WIRE TO BE CLAMPED WITH CLAMP 10497-05-000 WITHIN 200MM OF OUTLET BOXES, USE SCREW G67-10-12B.
1. ALL WIRES TO BE SECURED WITH CLAMP 10495-01-000 OR CLIP 80734-01-000 EVERY 600MM. USE SCREW G67-10-12B UNLESS OTHERWISE SPECIFIED.

NOTES:

FOR ELECTRICAL TORQUE SPECIFICATIONS SEE DWG NO. 128783-01-000

FOR ELECTRICAL CALLOUTS SEE DWG NO. 121339-01-000

WINNEBAGO INDUSTRIES, INC. COPYRIGHT 2004

DFTR	ORIG. DATE
CHKR	ALL DIMENSIONS ARE IN MILLIMETERS
P.E.	
M.E.	FIRST USED
DSNR	06 430V

UNSPECIFIED TOLERANCES ARE: MATERIAL:

WHOLE DIM (X)	: 3
ONE-PLACE (X.X)	: 1.5
TWO-PLACE (X.XX)	: 0.50
ANGLE	: 1°

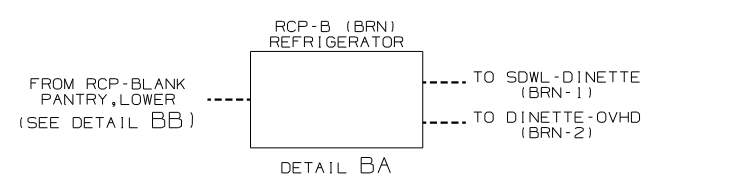
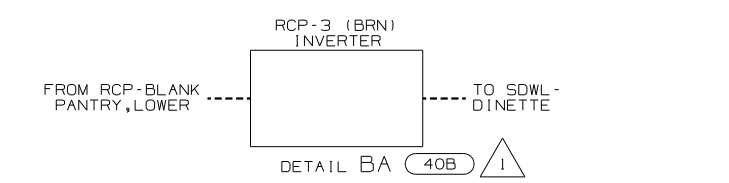
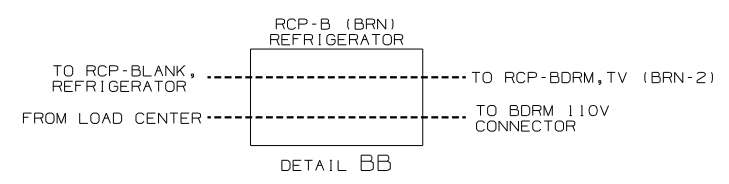
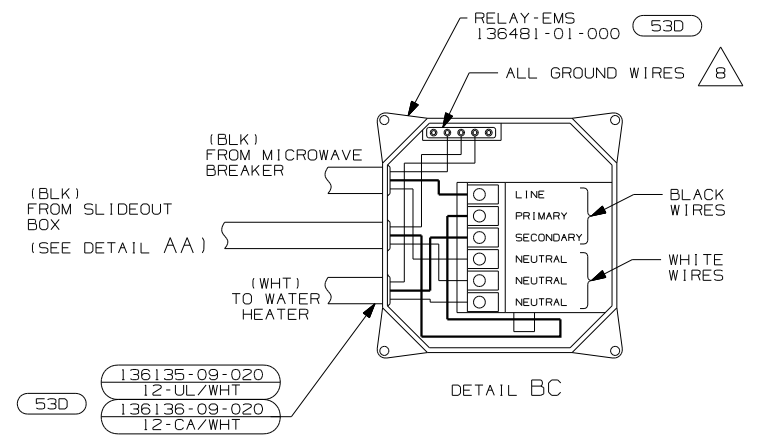
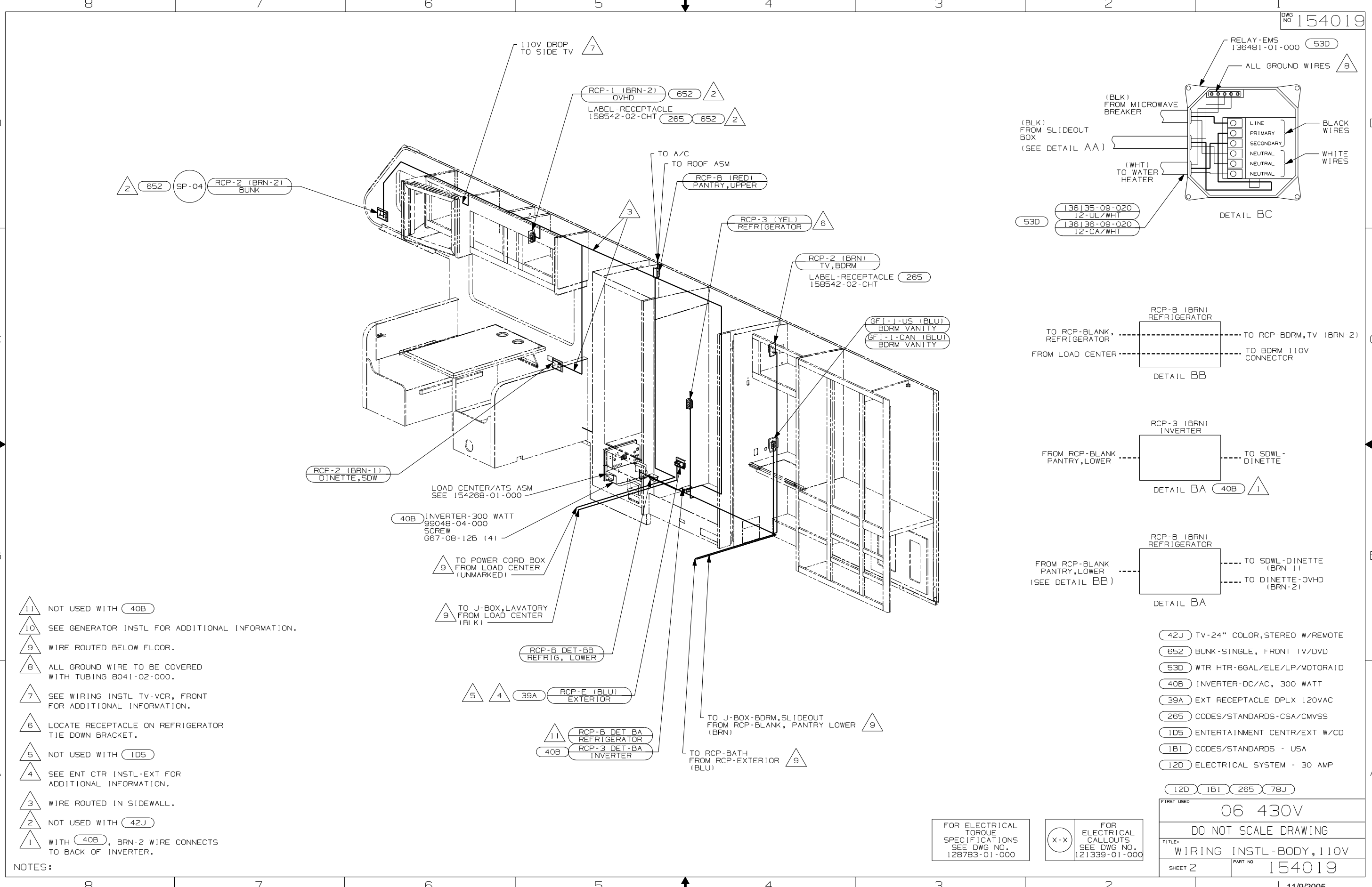
THIRD ANGLE PROJECTION

DO NOT SCALE DRAWING

TITLE: WIRING INSTL-BODY, 110V

SHEET 1 OF 3 PART NO 154019

REF: 1 11/9/2005



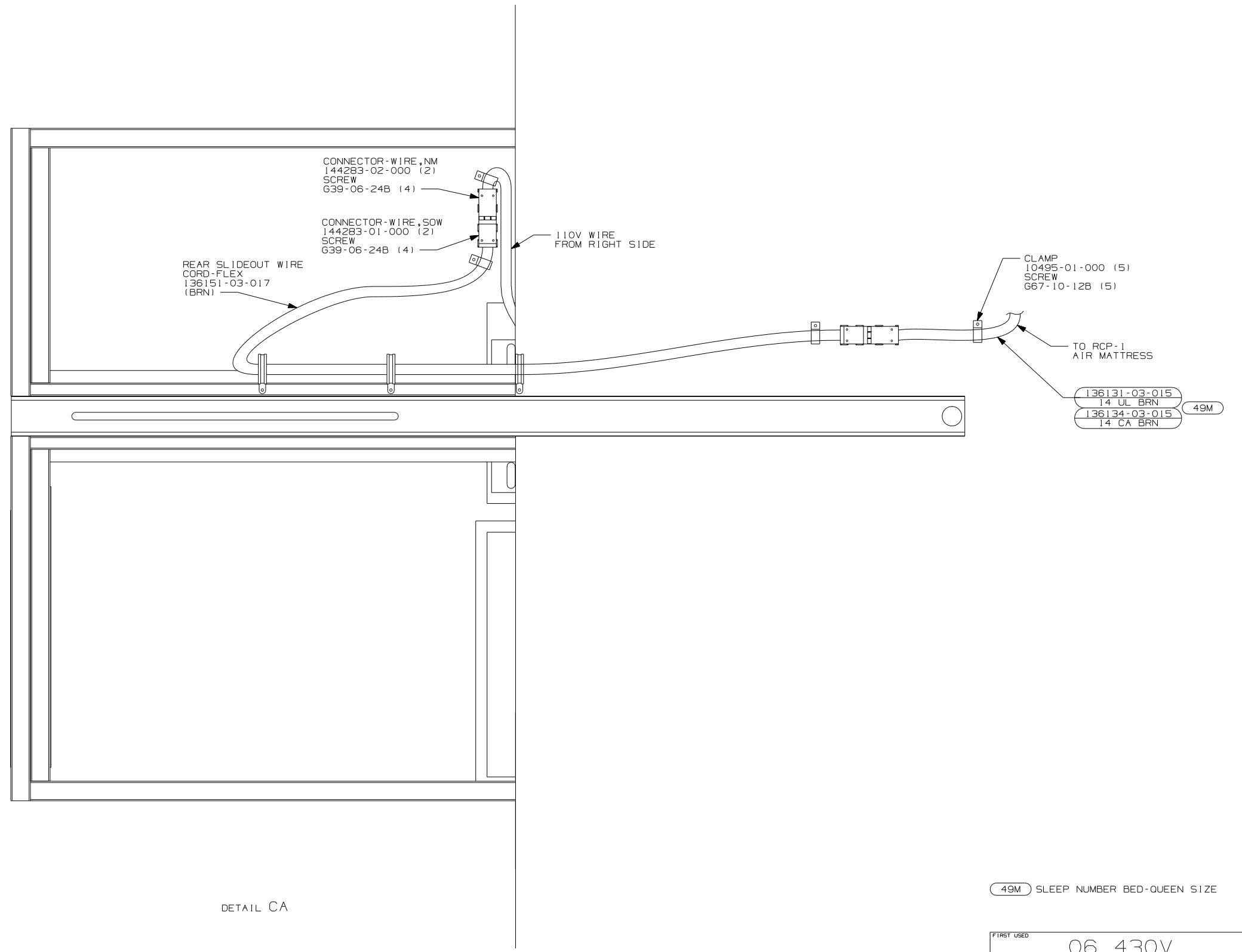
- (42J) TV-24" COLOR, STEREO W/REMOTE
- (652) BUNK-SINGLE, FRONT TV/DVD
- (53D) WTR HTR-6GAL/ELE/LP/MOTORAID
- (40B) INVERTER-DC/AC, 300 WATT
- (39A) EXT RECEPTACLE DPLX 120VAC
- (265) CODES/STANDARDS-CSA/CMVSS
- (105) ENTERTAINMENT CENTR/EXT W/CD
- (1B1) CODES/STANDARDS - USA
- (12D) ELECTRICAL SYSTEM - 30 AMP

- NOTES:
- (11) NOT USED WITH (40B)
 - (10) SEE GENERATOR INSTL FOR ADDITIONAL INFORMATION.
 - (9) WIRE ROUTED BELOW FLOOR.
 - (8) ALL GROUND WIRE TO BE COVERED WITH TUBING 8041-02-000.
 - (7) SEE WIRING INSTL TV-VCR, FRONT FOR ADDITIONAL INFORMATION.
 - (6) LOCATE RECEPTACLE ON REFRIGERATOR TIE DOWN BRACKET.
 - (5) NOT USED WITH (105)
 - (4) SEE ENT CTR INSTL-EXT FOR ADDITIONAL INFORMATION.
 - (3) WIRE ROUTED IN SIDEWALL.
 - (2) NOT USED WITH (42J)
 - (1) WITH (40B), BRN-2 WIRE CONNECTS TO BACK OF INVERTER.

FOR ELECTRICAL TORQUE SPECIFICATIONS SEE DWG NO. 128783-01-000

(X-X) FOR ELECTRICAL CALLOUTS SEE DWG NO. 121339-01-000

FIRST USED	06 430V
DO NOT SCALE DRAWING	
TITLE:	WIRING INSTL-BODY, 110V
SHEET 2	PART NO 154019



REAR SLIDEOUT WIRE
CORD-FLEX
136151-03-017
(BRN)

CONNECTOR-WIRE, NM
144283-02-000 (2)
SCREW
639-06-24B (4)

CONNECTOR-WIRE, SOW
144283-01-000 (2)
SCREW
639-06-24B (4)

110V WIRE
FROM RIGHT SIDE

CLAMP
10495-01-000 (5)
SCREW
667-10-12B (5)

TO RCP-1
AIR MATTRESS

136131-03-015
14 UL BRN
136134-03-015
14 CA BRN

49M

DETAIL CA

49M SLEEP NUMBER BED-QUEEN SIZE

FOR ELECTRICAL
TORQUE
SPECIFICATIONS
SEE DWG NO.
128783-01-000

(X-X)
FOR
ELECTRICAL
CALLOUTS
SEE DWG NO.
121339-01-000

FIRST USED	06 430V
DO NOT SCALE DRAWING	
TITLE	WIRING INSTL-BODY, 110V
SHEET 3	PART NO 154019