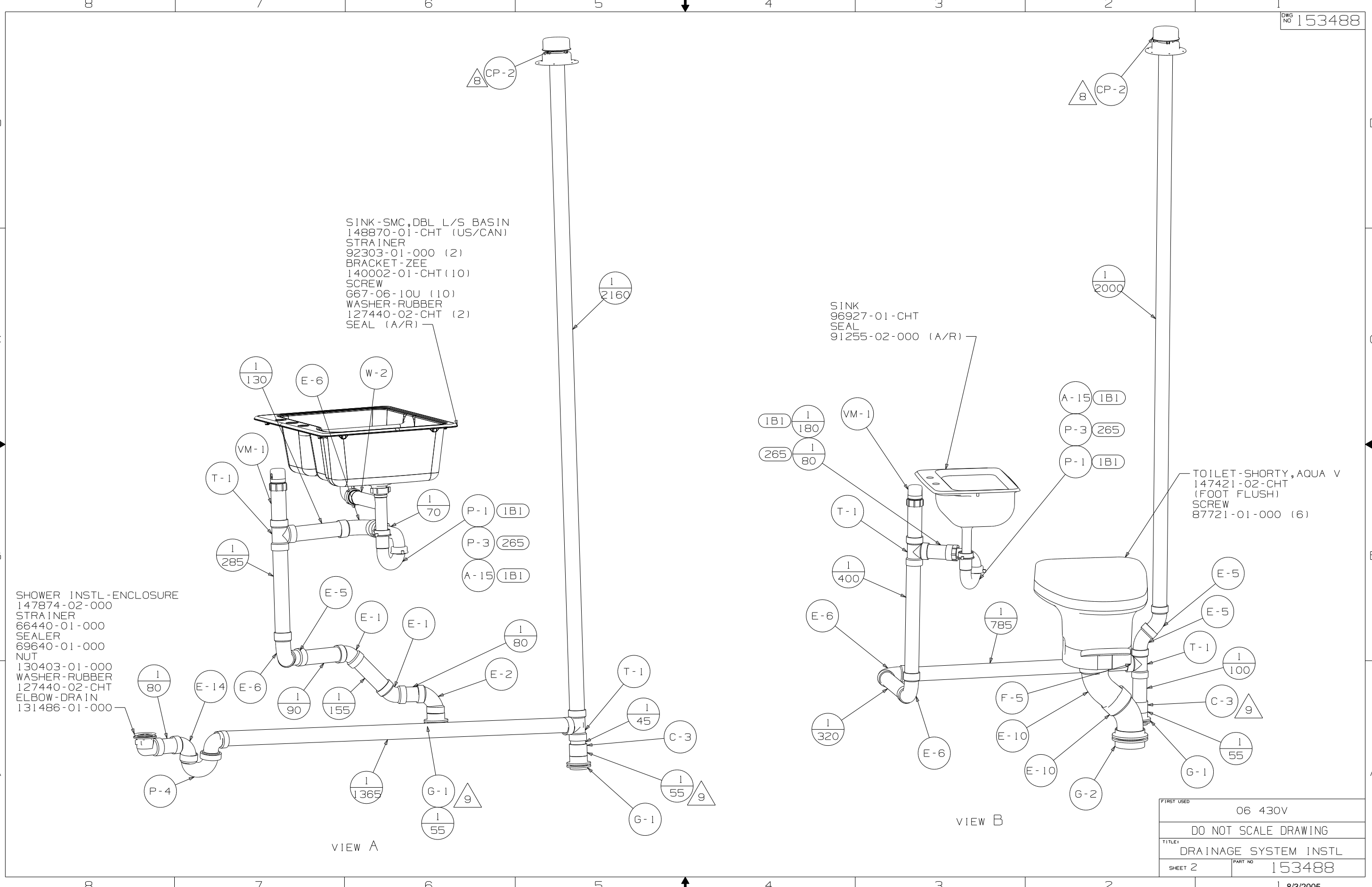


- 9. SECURE VENT TUBES TO FLOOR WITH BRACKET 95061-01-000 (2), CLAMP 62401-02-000 AND SCREW G67-10-12B (2).
- 8. VENT PIPE MUST PROJECT 51 MM MIN AND 64 MM MAX ABOVE ROOF FOR PROPER FIT AND FUNCTION.
- 7. SEAL ALL AROUND SHOWER WITH SILICONE.
- 6. SEE DRAWING 61607-01-000 FOR INSTL OF GROMMETS.
- 5. SECURE PIPES TO CABINET USING WIRE TIE 108046-02-000 AND SCREW G67-10-12B (8).
- 4. ALL EXTERIOR OPENINGS AROUND PIPE TO BE SEALED WITH 110744-01-000.
- 3. ALL PIPE AND FITTINGS TO BE ASSEMBLED WITH SOLVENT 4020-01-000 (US), 4020-02-000 (CAN).
- 2. SLOPE OF TRAP ARM MUST BE 6 PER 305.
- 1. SLOPE OF HORIZONTAL PIPING TO BE 6 PER 305 MIN.

NOTES:

FOR
DRAINAGE
CALLOUTS
SEE DWG NO
116229-01-000

WINNEBAGO		COPYRIGHT 2005 WINNEBAGO INDUSTRIES, INC.	
DFT	ORIG. DATE	ALL DIMENSIONS ARE IN MILLIMETERS	
CHKR			
P.E.			
M.E.	FIRST USED		
DSNR	06 430V		
UNSPECIFIED TOLERANCES ARE:		MATERIAL:	
WHOLE DIM (X)	: 3		
ONE-PLACE (X.X)	: 1.5		
TWO-PLACE (X.XX)	: 0.50		
ANGLE	: 1°		
THIRD ANGLE PROJECTION			
DO NOT SCALE DRAWING			
TITLE: DRAINAGE SYSTEM INSTL			
SHEET 1 OF 3	PART NO	153488	
REF:	1 8/3/2005		



SINK-SMC, DBL L/S BASIN
 148870-01-CHT (US/CAN)
 STRAINER
 92303-01-000 (2)
 BRACKET-ZEE
 140002-01-CHT (10)
 SCREW
 G67-06-10U (10)
 WASHER-RUBBER
 127440-02-CHT (2)
 SEAL (A/R)

SHOWER INSTL-ENCLOSURE
 147874-02-000
 STRAINER
 66440-01-000
 SEALER
 69640-01-000
 NUT
 130403-01-000
 WASHER-RUBBER
 127440-02-CHT
 ELBOW-DRAIN
 131486-01-000

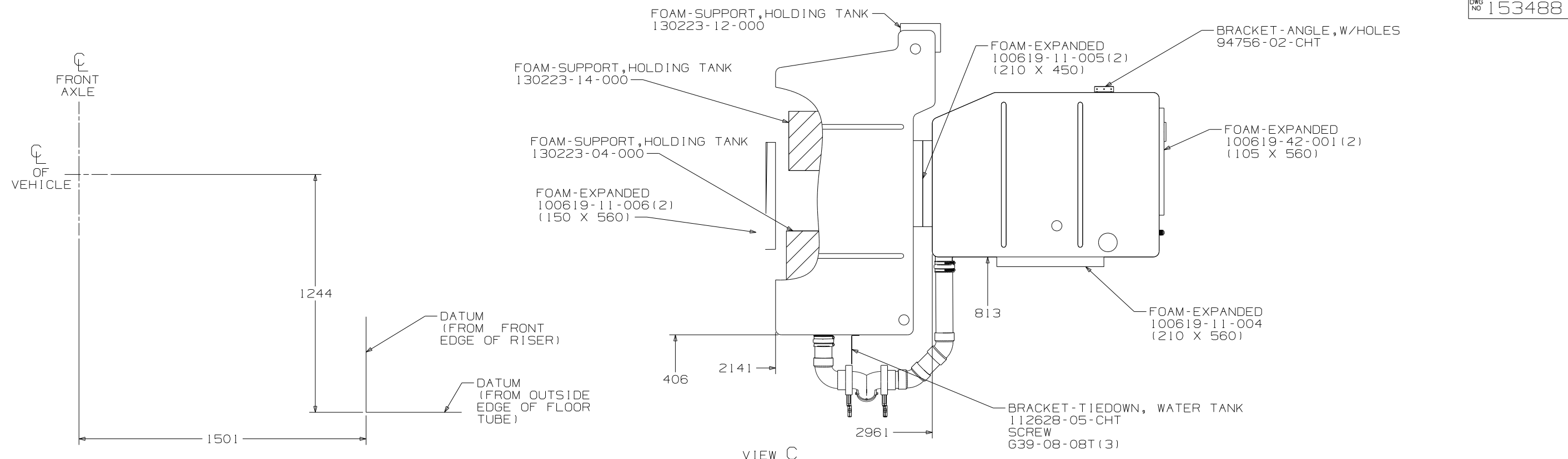
SINK
 96927-01-CHT
 SEAL
 91255-02-000 (A/R)

TOILET-SHORTY, AQUA V
 147421-02-CHT
 (FOOT FLUSH)
 SCREW
 87721-01-000 (6)

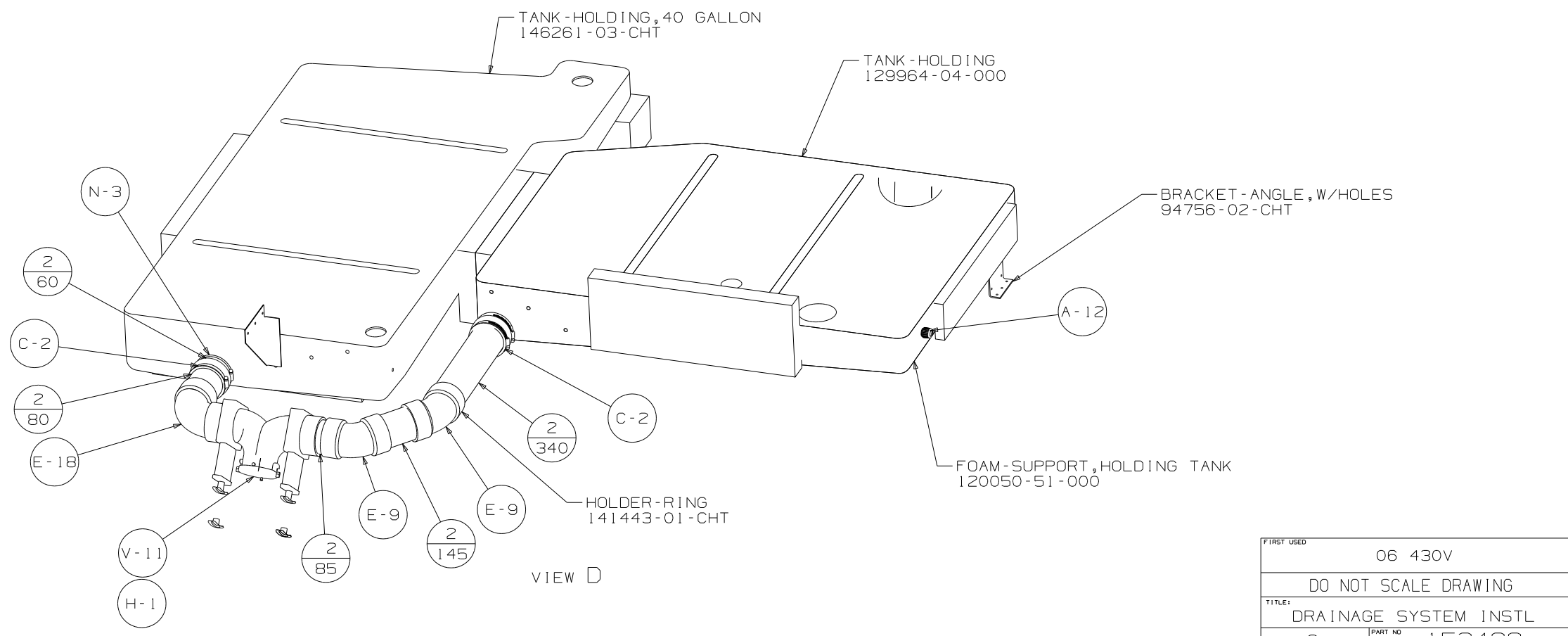
VIEW A

VIEW B

FIRST USED	06 430V
DO NOT SCALE DRAWING	
TITLE	DRAINAGE SYSTEM INSTL
SHEET 2	PART NO 153488

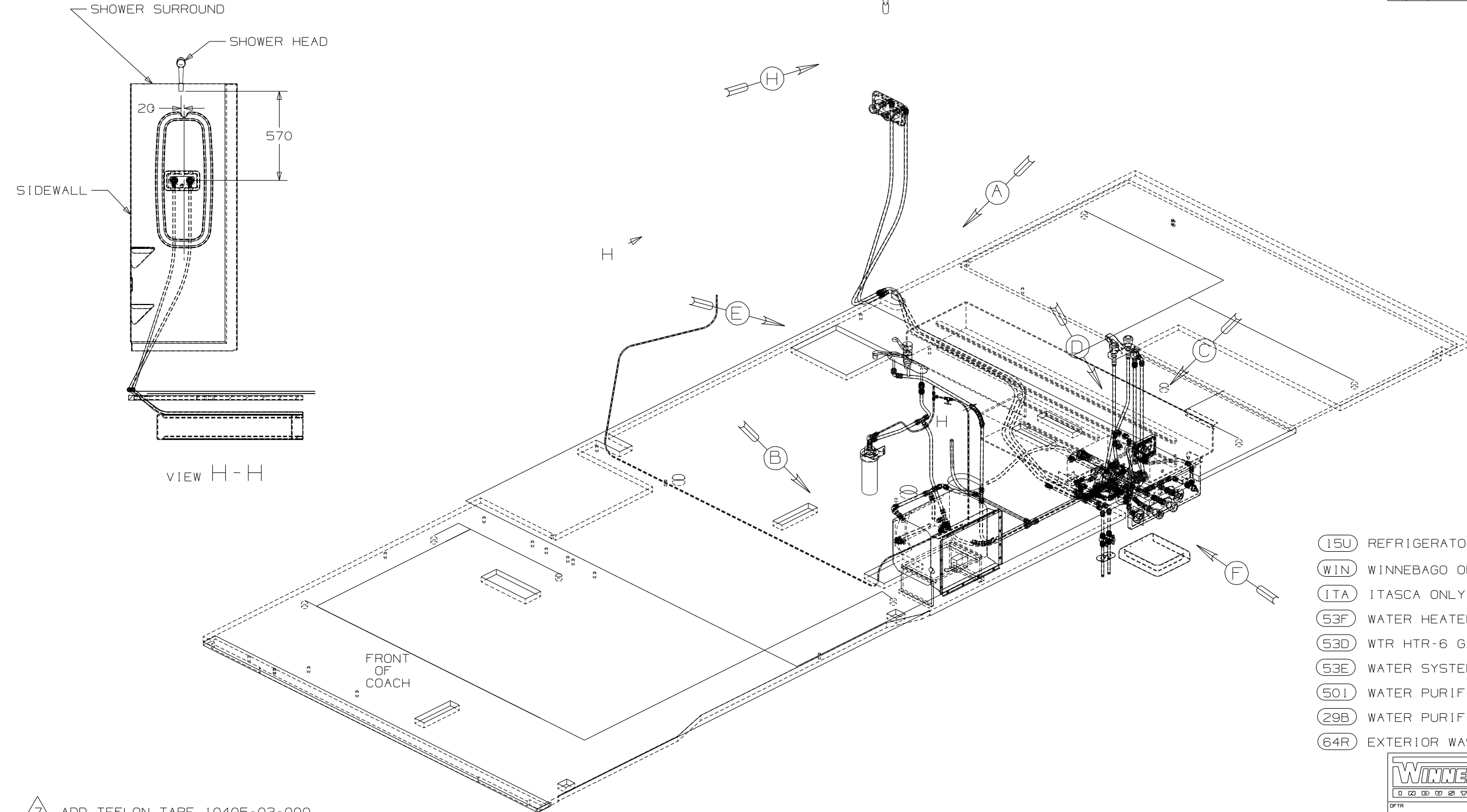


VIEW C



VIEW D

FIRST USED	06 430V
DO NOT SCALE DRAWING	
TITLE	DRAINAGE SYSTEM INSTL
SHEET 3	PART NO 153488

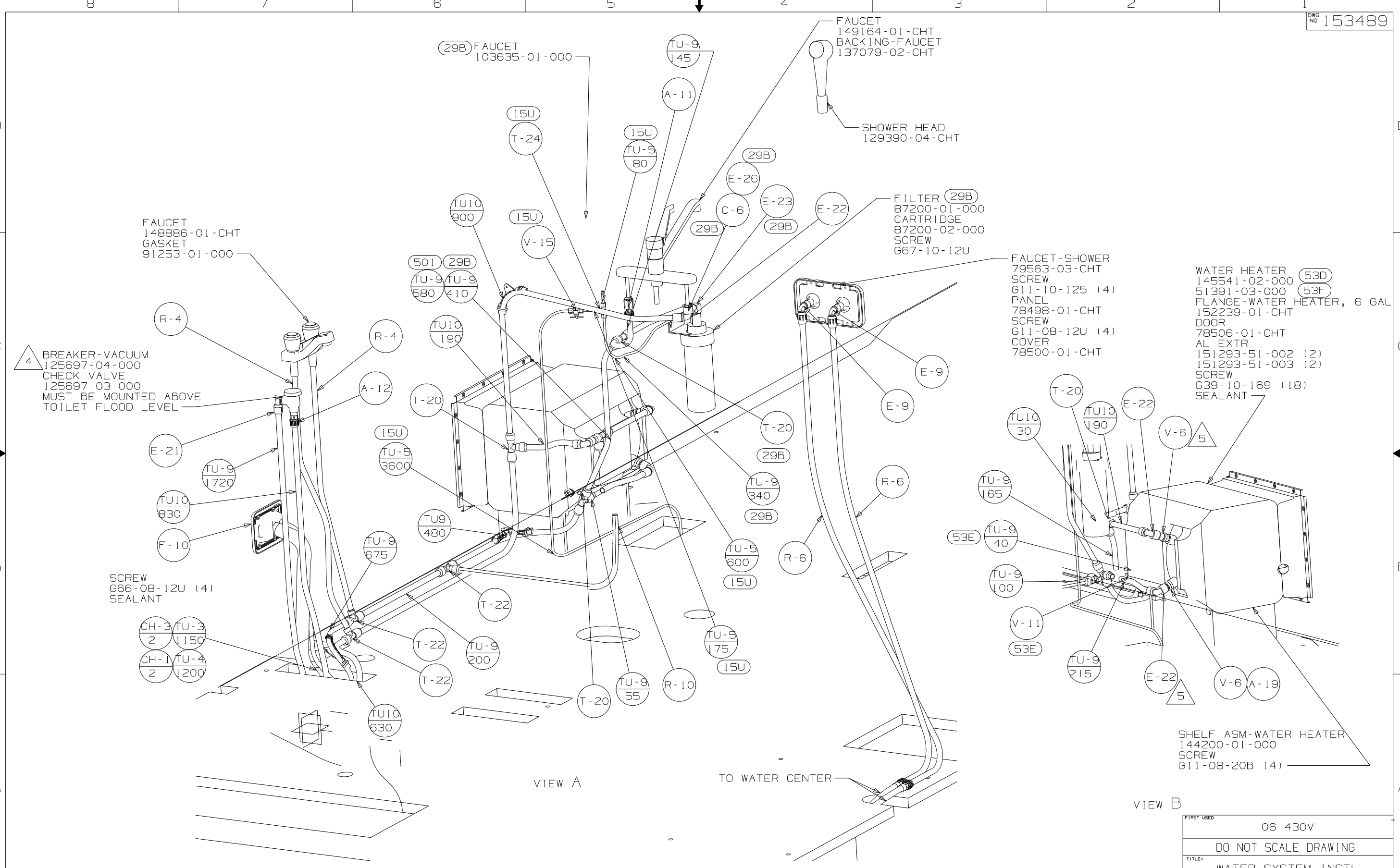


- (15U) REFRIGERATOR/FRZR W/ICEMAKER
- (WIN) WINNEBAGO ONLY
- (1TA) ITASCA ONLY
- (53F) WATER HEATER-ELEC IGNITION
- (53D) WTR HTR-6 GAL ELECTRIC/LP GAS
- (53E) WATER SYSTEM WINTERIZATION PKG
- (501) WATER PURIFIER WITHOUT
- (29B) WATER PURIFIER SYSTEM
- (64R) EXTERIOR WASH STATION

- NOTES:
- 7 ADD TEFLON TAPE 10405-03-000.
 - 6 ADD TEFLON TAPE 10405-02-000.
 - 5 ADD TEFLON TAPE 10405-01-000.
 - 4 FLUSHING SYSTEM REQUIRES 125697-06-000 INSTRUCTION SHEET.
3. ALL TUBING TO BE SECURED AT 1200 INTERVALS MAXIMUM WITH CLAMP 10495-01-000 OR CLIP 9151-01-000 AND SCREW G67-10-12B.
 2. TUBING TO BE INSTALLED WITH SUFFICIENT SLOPE TO PROVIDE DRAINAGE TO NEAREST VALVE.
 1. PLASTIC FITTINGS TO BE SEALED WITH SEALANT 84456-01-000.

(X-X)
FOR WATER CALLOUTS SEE DWG NO 116230-01-000

WINNEBAGO		COPYRIGHT 2006 WINNEBAGO INDUSTRIES, INC.	
DFTR	ORIG. DATE	ALL DIMENSIONS ARE IN MILLIMETERS	
CHKR		FIRST USED	
P.E.		06 430V	
M.E.		UNSPECIFIED TOLERANCES ARE:	
DSNR		MATERIALS:	
		WHOLE DIM (X)	: 7
		ONE-PLACE (X.X)	:
		TWO-PLACE (X.XX)	:
		ANGLE	:
THIRD ANGLE PROJECTION		DO NOT SCALE DRAWING	
TITLE: WATER SYSTEM INSTL			
SHEET 1 OF 4	PART NO	153489	REV
REF	1 6/13/2006		



FAUCET
148886-01-CHT
GASKET
91253-01-000

(29B) FAUCET
103635-01-000

FAUCET
149164-01-CHT
BACKING-FAUCET
137079-02-CHT

SHOWER HEAD
129390-04-CHT

FILTER (29B)
87200-01-000
CARTRIDGE
87200-02-000
SCREW
667-10-12U

FAUCET-SHOWER
79563-03-CHT
SCREW
611-10-125 (4)
PANEL
78498-01-CHT
SCREW
611-08-12U (4)
COVER
78500-01-CHT

WATER HEATER
145541-02-000 (53D)
51391-03-000 (53F)
FLANGE-WATER HEATER, 6 GAL
152239-01-CHT
DOOR
78506-01-CHT
AL EXTR
151293-51-002 (2)
151293-51-003 (2)
SCREW
639-10-169 (18)
SEALANT

4
BREAKER-VACUUM
125697-04-000
CHECK VALVE
125697-03-000
MUST BE MOUNTED ABOVE
TOILET FLOOD LEVEL

SCREW
666-08-12U (4)
SEALANT

SHELF ASM-WATERHEATER
144200-01-000
SCREW
611-08-20B (4)

VIEW A

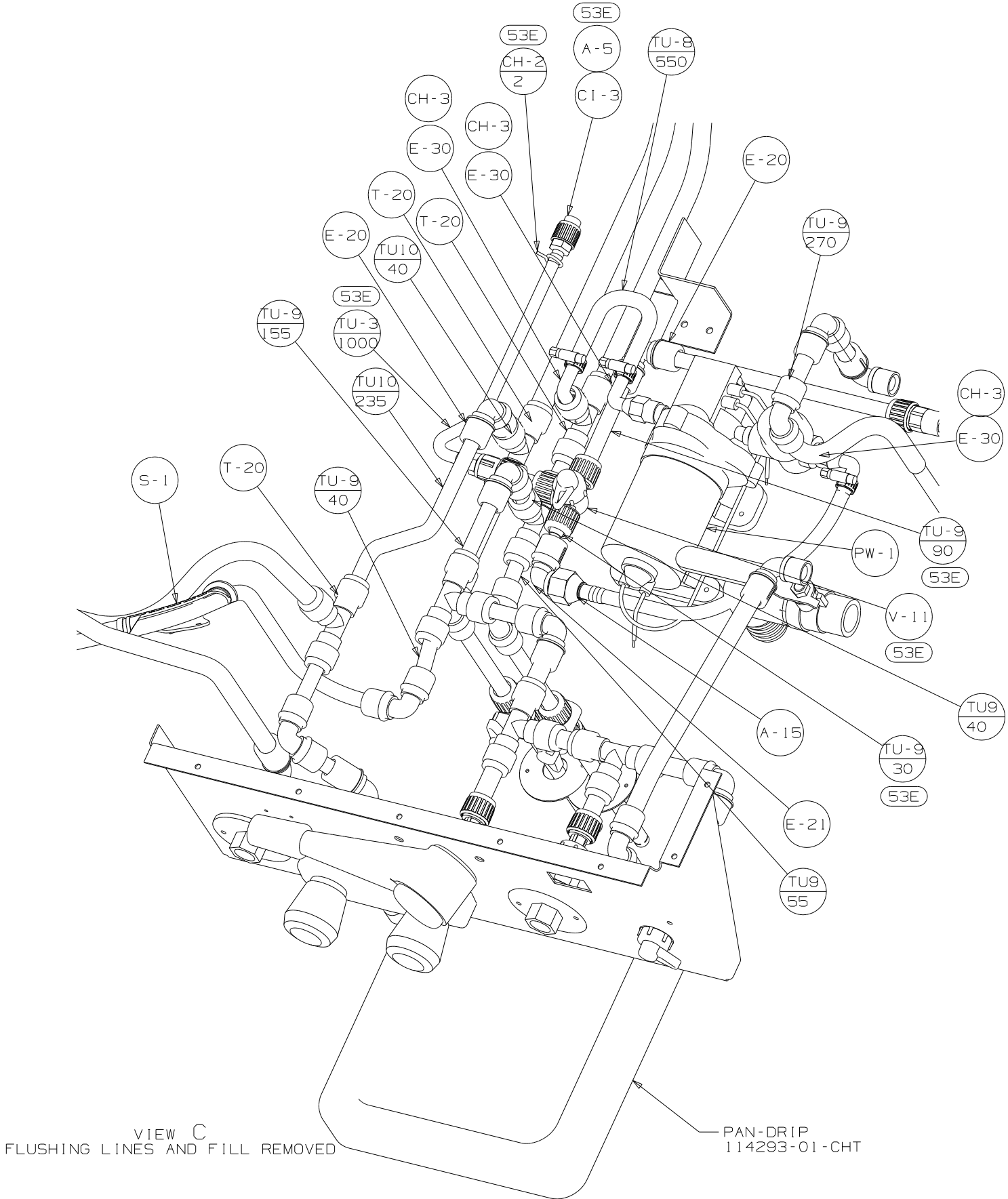
TO WATER CENTER

VIEW B

FIRST USED	06 430V
DO NOT SCALE DRAWING	
TITLE:	WATER SYSTEM INSTL
SHEET 2	PART NO 153489 REV

D
C
B
A

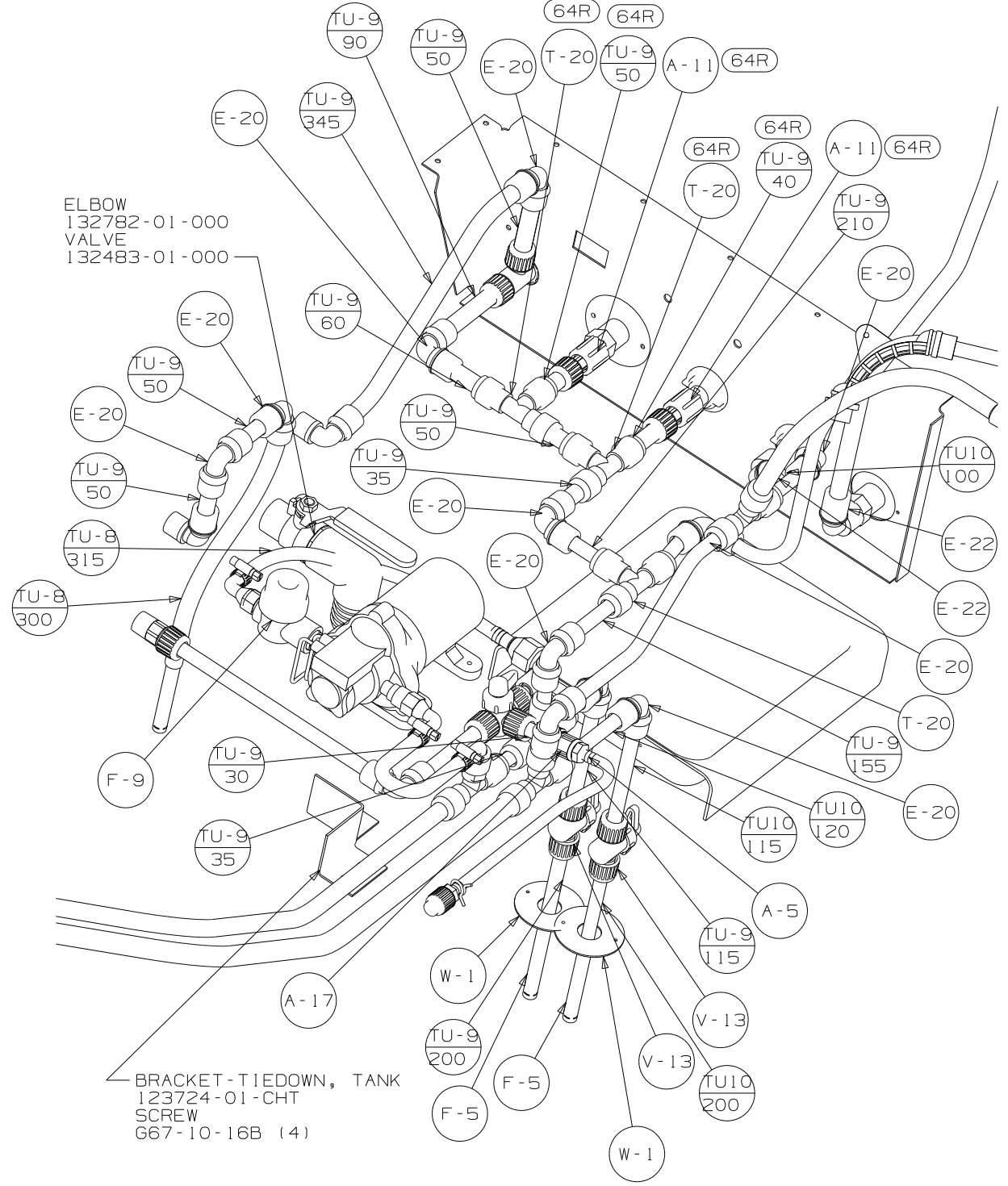
D
C
B
A



VIEW C
FLUSHING LINES AND FILL REMOVED

PAN-DRIP
114293-01-CHT

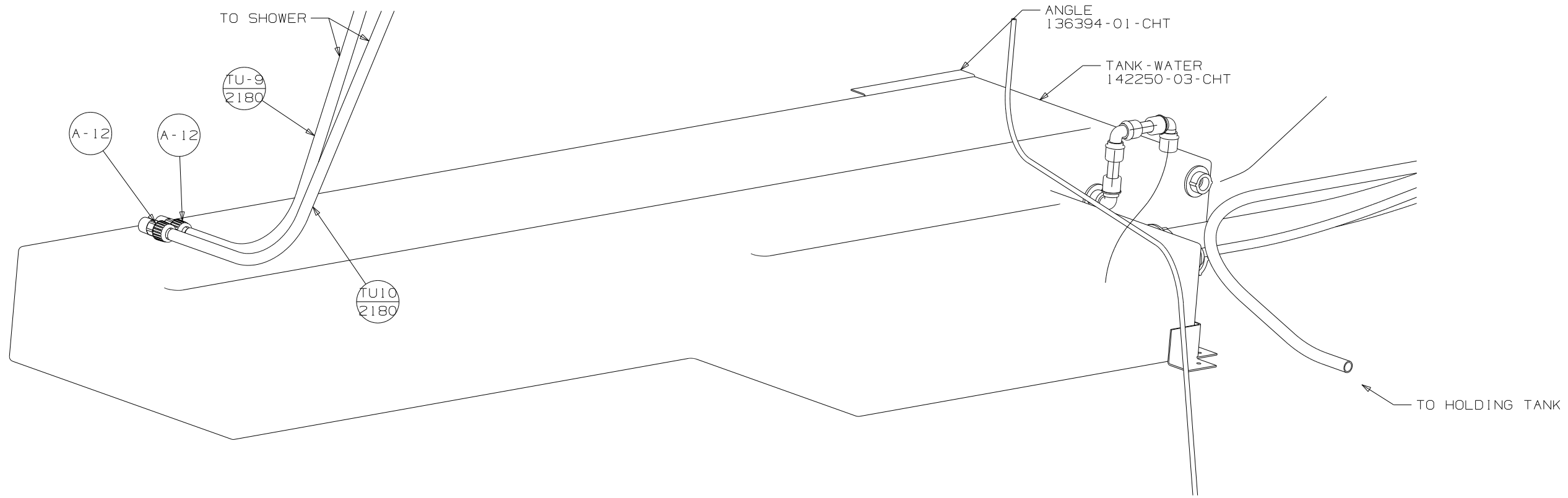
ELBOW
132782-01-000
VALVE
132483-01-000



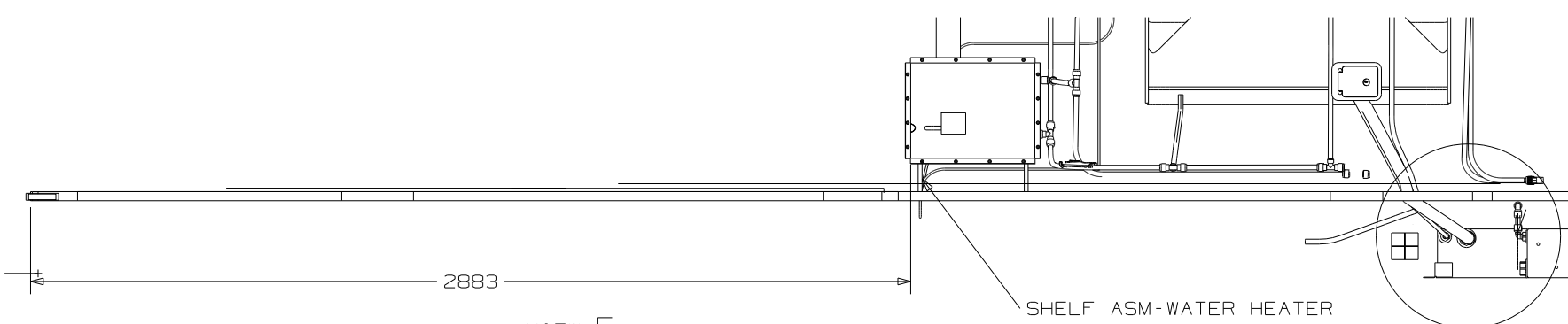
BRACKET-TIEDOWN, TANK
123724-01-CHT
SCREW
G67-10-16B (4)

VIEW D
FLUSHING LINES AND FILL REMOVED

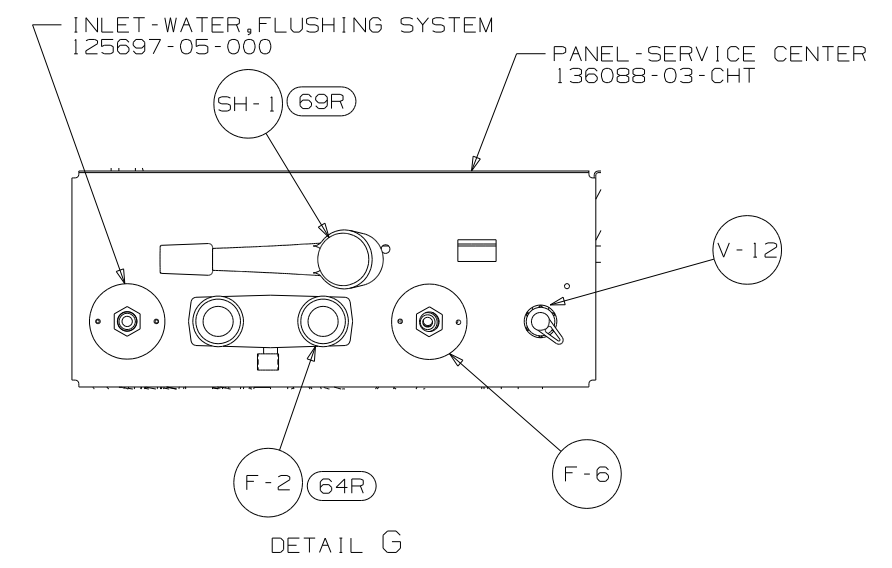
FIRST USED	06 430V		
DO NOT SCALE DRAWING			
TITLE:	WATER SYSTEM INSTL		
SHEET 3	PART NO	153489 REV	



VIEW E



VIEW F



DETAIL G

FIRST USED	06 430V
DO NOT SCALE DRAWING	
TITLE	WATER SYSTEM INSTL
SHEET 4	PART NO 153489 REV