



DANGER

Danger of electrical shock, burns or death. Always remove all power sources before attempting any repair, service or diagnostic work. Power can be present from shore power, generator, inverter or battery. All power sources must be disabled and secured before performing any service.

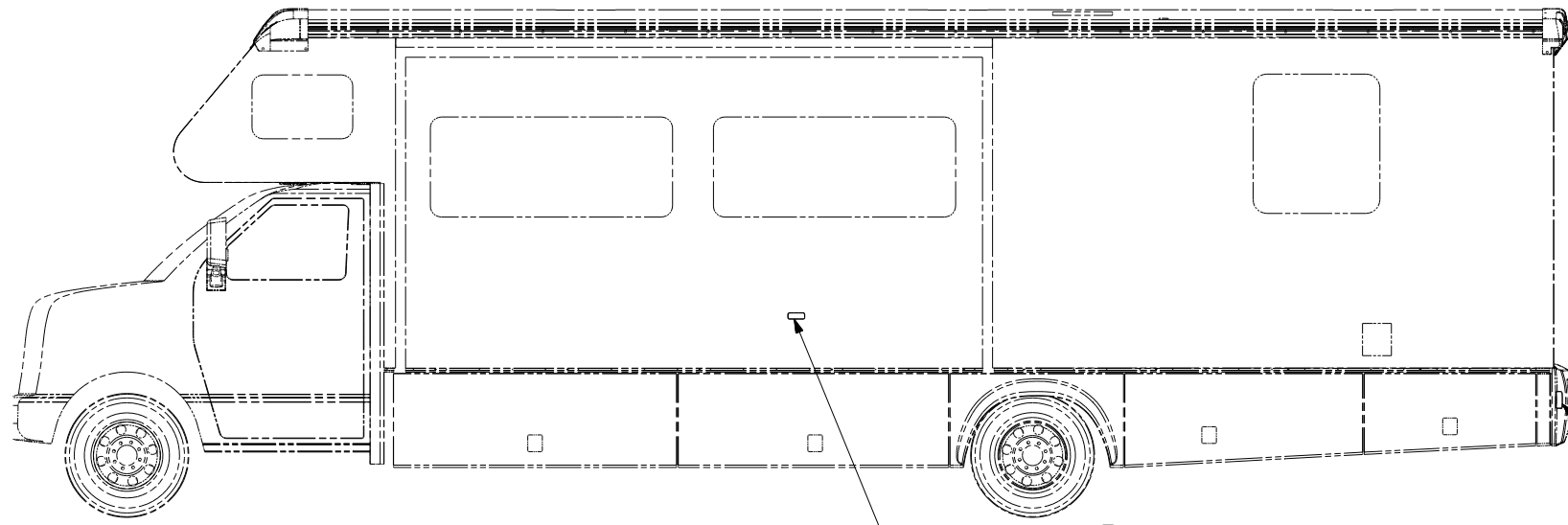


CAUTION

If you lack the skills, tools or equipment to perform diagnostic or repair work leave such work to an authorized Winnebago Industries dealer or other qualified shop.

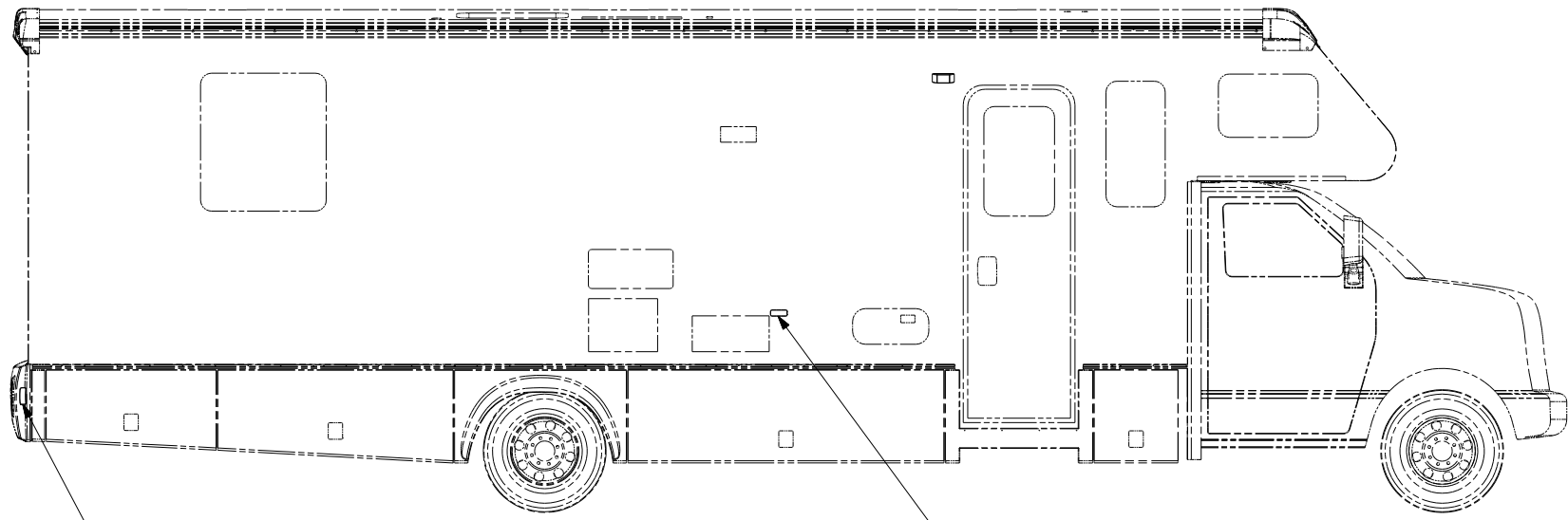
DRAWING NO.	FEATURE
152101-01	(WIN)
152101-02	(ITA)

RELEASE	REV DATE	DWG NO
A		152101
REV ZONE	REVISION RECORD	DATE DFR-ORIG



LAMP-MARKER
 BASE, SIDEWALL
 111102-01-000
 LENS-MARKER, AMBER
 111102-02-000
 SCREW
 G11-08-12T (EXT) (2)
 CONNECTOR
 58028-01-000 (2)

LAMP-MARKER
 BASE, SIDEWALL
 111102-01-000
 LENS-MARKER, RED
 111102-03-000
 SCREW
 G11-08-12T (EXT) (2)
 CONNECTOR
 58028-01-000 (2)



LAMP-MARKER
 BASE, SIDEWALL
 111102-01-000
 LENS-MARKER, RED
 111102-03-000
 SCREW
 G11-08-12T (EXT) (2)
 CONNECTOR
 58028-01-000 (2)

LAMP-MARKER
 BASE, SIDEWALL
 111102-01-000
 LENS-MARKER, AMBER
 111102-02-000
 SCREW
 G11-08-12T (EXT) (2)
 CONNECTOR
 58028-01-000 (2)

- (WIN) WINNEBAGO ONLY
- (ITA) ITASCA ONLY
- (265) CODES/STADARDS - CSA/CMVSS
- (1B1) CODES/STANDARDS - USA



DFTR	ORIG. DATE
CHKR	ALL DIMENSIONS ARE IN MILLIMETERS
P.E.	
M.E.	FIRST USED
DSNR	06 400-SERIES
UNSPECIFIED TOLERANCES ARE:	MATERIAL:
HOLE DIM (X)	: X
ONE-PLACE (X.X)	: X
TWO-PLACE (X.XX)	: X
ANGLE	: X
THIRD ANGLE PROJECTION	: X

FOR ELECTRICAL TORQUE SPECIFICATIONS SEE DWG NO. 128783-01-000

(X-X) FOR ELECTRICAL CALLOUTS SEE DWG NO. 121339-01-000

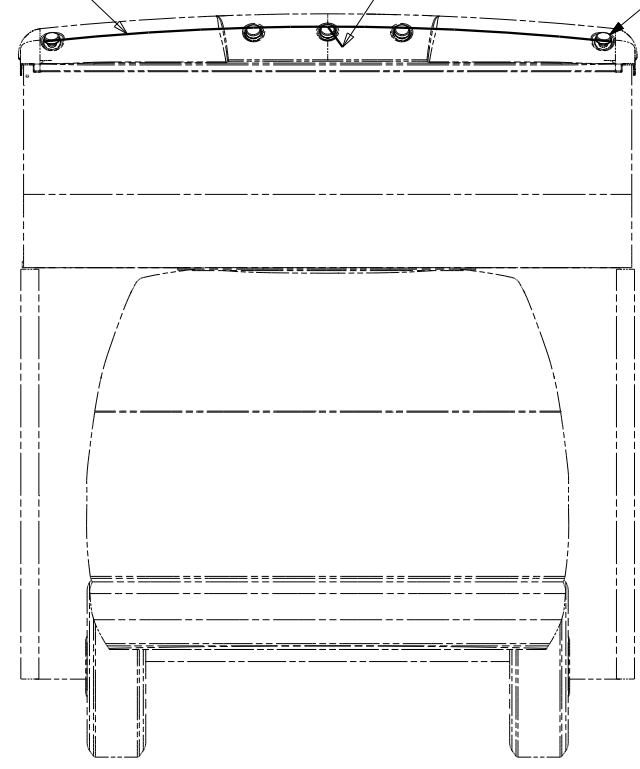
NOTES:
 1 USED ONLY WITH 430V & 431C.

DO NOT SCALE DRAWING	
TITLE:	WIRING INSTL-EXTERIOR LAMPS
SHEET 1 OF 2	PART NO 152101
REF:	1 5/9/2005

WIRE ASM-CLEARANCE LAMPS
126486-04-000

TWO PIN HOUSING
TO WIRE ASM-ROOF

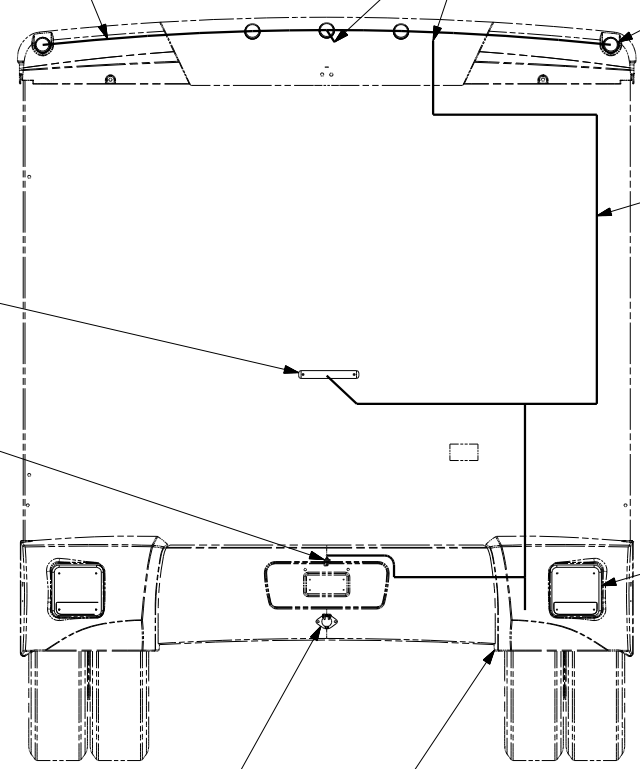
LAMP ASM-CLEARANCE, AMBER
138996-01-000 (5)
BRACKET-LAMP CLEARANCE
138996-03-000 (5)
SCREW
611-06-08T (10)



WIRE ASM-CLEARANCE LAMPS
126486-04-000

2 PIN HOUSING (2)
TO WIRE ASM-ROOF

LAMP ASM-CLEARANCE, RED
138996-02-000 (5)
BRACKET-LAMP CLEARANCE
138996-03-000 (5)
SCREW
611-06-08T (10)



LAMP-BRAKE, CENTER
138916-01-000
SCREW
639-06-16T (2)
BLK/WHT TO YEL
BLK TO WHT

LAMP ASM-LICENSE
87201-01-000
SCREW
611-06-12U(EXT) (2)

WIRE ASM-BACKWALL (3)

LAMP ASM-STOP/TURN
TAIL/BACKUP
117831-01-000 RH
117831-02-000 LH
BULB
37934-01-000 (2)
37935-01-000 (2)
SCREW
639-10-48T (8)
(WIN)

(2) TRAILER PLUG ASM

(4)

3 PIN
TO WIRE ASM
BACKWALL
(LOCATED BEHIND
TAILLIGHT POD)

CONNECTORS TO
LAMP ASM'S (4)

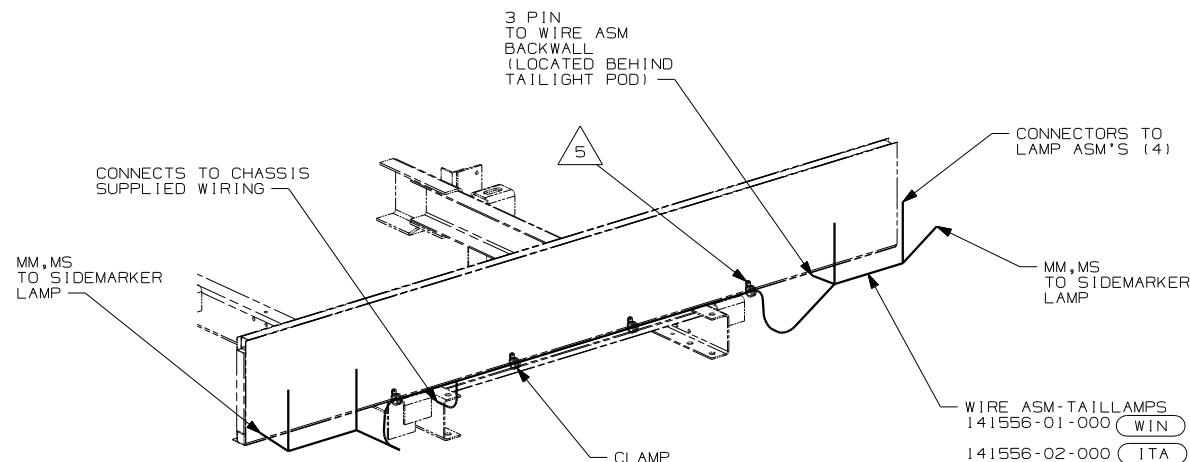
CONNECTS TO CHASSIS
SUPPLIED WIRING

MM,MS
TO SIDEMARKER
LAMP

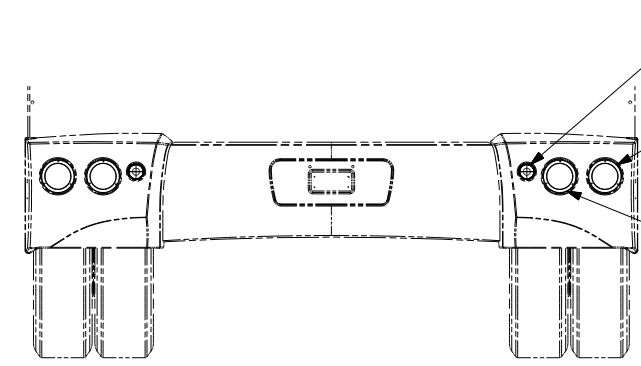
MM,MS
TO SIDEMARKER
LAMP

WIRE ASM-TAILLAMPS
141556-01-000 (WIN)
141556-02-000 (ITA)

CLAMP
10497-01-000 (4)
SCREW
639-10-12U (4)



VIEW BA



REFLECTOR-RED (2)
141514-01-000
(ITA)

LAMP ASM-BRAKE, TAIL
138441-01-000 (2)
SCREW
611-08-12U (EXT) (6)
(ITA)

LAMP ASM-BACKUP
138441-02-000 (2)
SCREW
611-08-12U (EXT) (6)
(ITA)

(5) CLAMP LOCATED 700MM FROM CENTERLINE.

(4) WIRE ASM-TAILLAMPS ROUTED INTO
POD IN THIS LOCATION.

(3) LOCATED IN BACKWALL ASM.

(2) SECURE WIRE BELOW COACH WITH CLAMP
10495-01-000 AND SCREW G67-10-12B.

1. CONNECTOR-PLUG, TRAILER 146246-01-000 TO BE SUPPLIED
LOOSE IN COACH WITH TRAILER TOW PACKAGE.

NOTES:

(WIN) WINNEBAGO ONLY
(ITA) ITASCA ONLY
(265) CODES/STANDARDS - CSA/CMVSS
(1B1) CODES/STANDARDS - USA

(1B1) (265)

FOR ELECTRICAL
TORQUE
SPECIFICATIONS
SEE DWG NO.
128783-01-000

(X-X)
FOR ELECTRICAL
CALLOUTS
SEE DWG NO.
121339-01-000

FIRST USED	
06 400-SERIES	
DO NOT SCALE DRAWING	
TITLE: WIRING INSTL-EXTERIOR LAMPS	
SHEET 2	PART NO 152101