



**DANGER**

**Danger of electrical shock, burns or death.** Always remove all power sources before attempting any repair, service or diagnostic work. Power can be present from shore power, generator, inverter or battery. All power sources must be disabled and secured before performing any service.

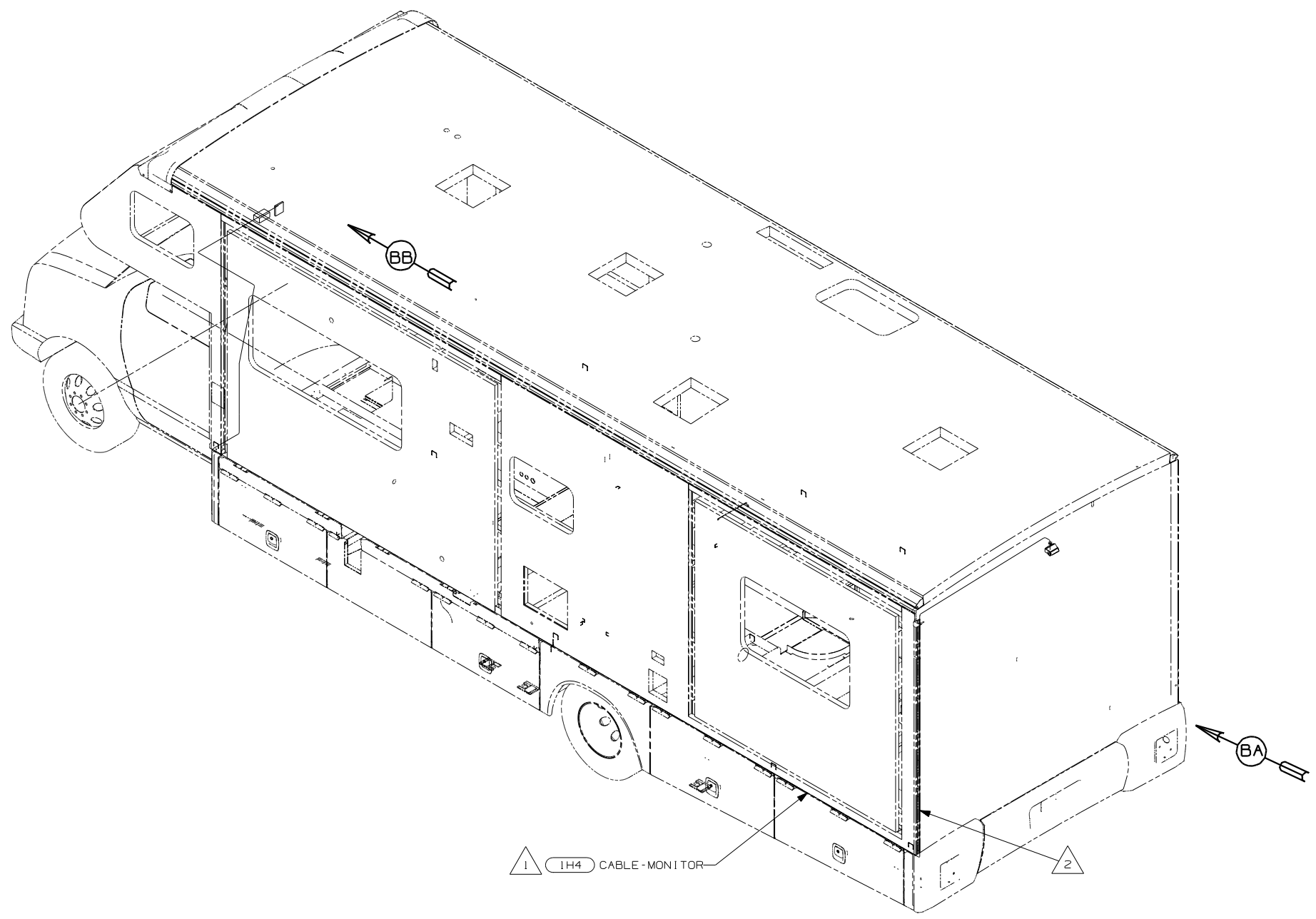


**CAUTION**

If you lack the skills, tools or equipment to perform diagnostic or repair work leave such work to an authorized Winnebago Industries dealer or other qualified shop.

|             |                  |
|-------------|------------------|
| DRAWING NO. | MODEL            |
| 151876-01   | 400 SERIES       |
| 151876-02   | 300 & 700 SERIES |

|          |                 |               |
|----------|-----------------|---------------|
| RELEASE  | REV/DATE        | DWG NO        |
|          | A               | 151876        |
| REV ZONE | REVISION RECORD | DATE DFR-ORIG |



- 74A RR MONITOR SYS-SUNVISOR MNTR
- 74J REARVIEW MONITOR SYSTEM
- IH4 REARVIEW MONITOR-WIRE PREP

1 IH4 CABLE-MONITOR

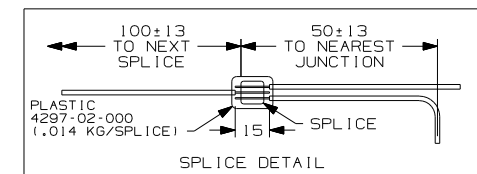
2

2 WIRE ROUTED IN RECESSED AREA BETWEEN SIDEWALL AND BACKWALL.

1 REAR MONITOR CAMERA CABLE IS PART OF WIRE ASSEMBLY CHASSIS AND RUNS ALONG LEFT FRAME RAIL.

NOTES:

FOR ELECTRICAL CALLOUTS SEE DWG NO. 121339-01-000



**WINNEBAGO** COPYRIGHT 2004 WINNEBAGO INDUSTRIES, INC.

|      |                                   |
|------|-----------------------------------|
| DFTR | ORIG. DATE                        |
| CHKR | ALL DIMENSIONS ARE IN MILLIMETERS |
| P.E. |                                   |
| M.E. | FIRST USED                        |
| DSNR | 06 C-BODIES                       |

UNSPECIFIED TOLERANCES ARE: MATERIAL:

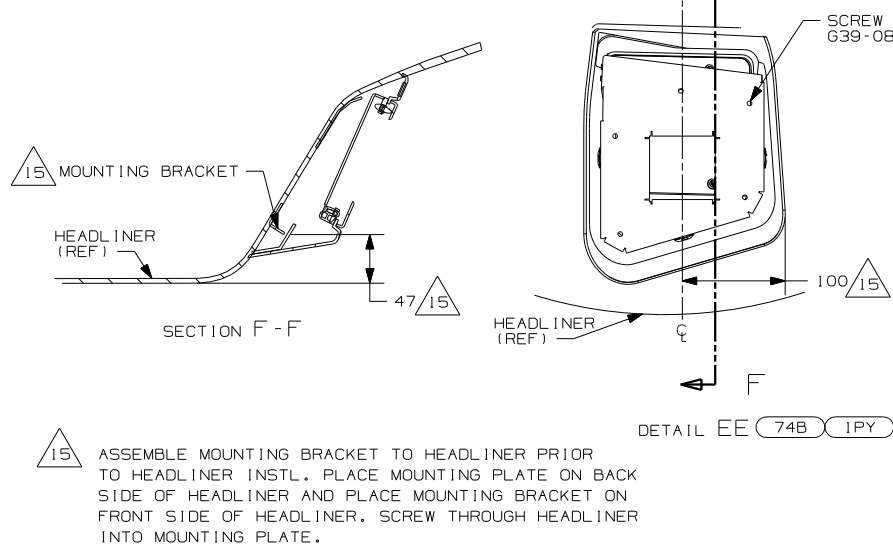
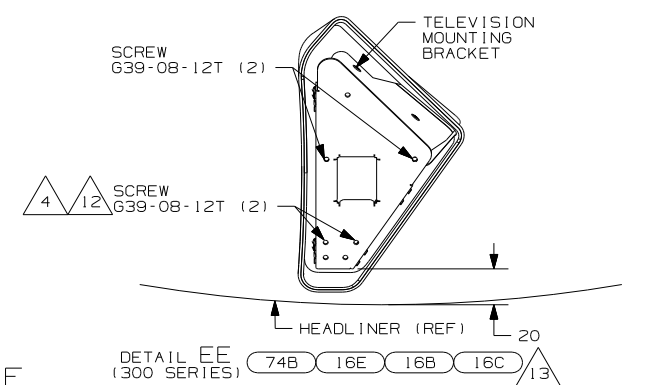
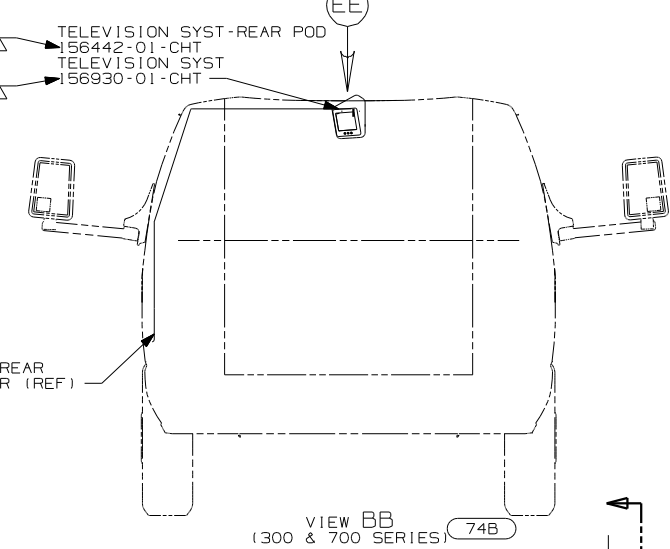
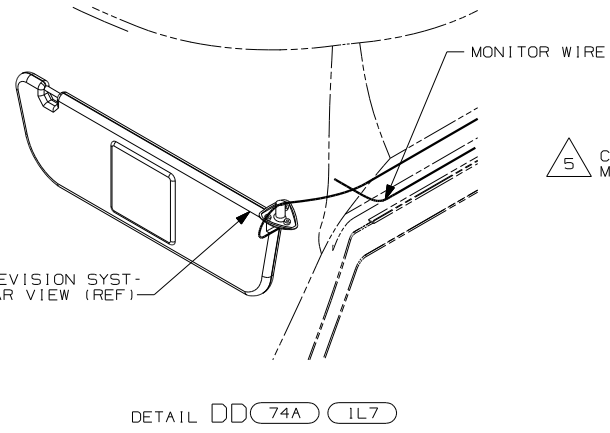
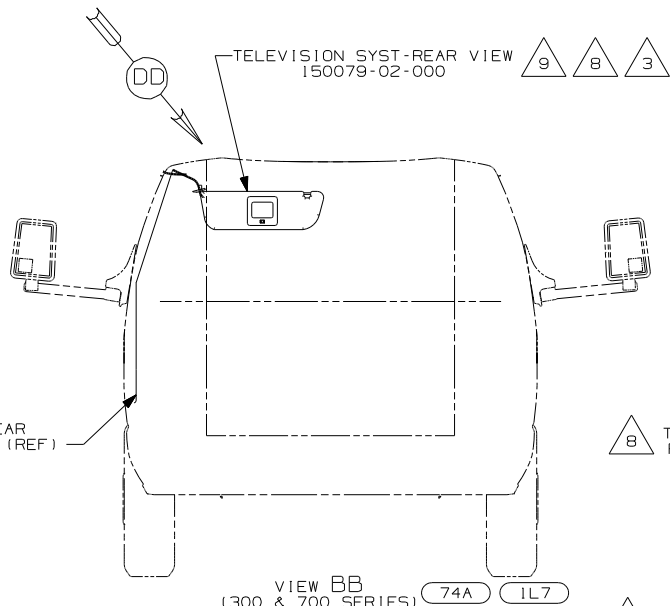
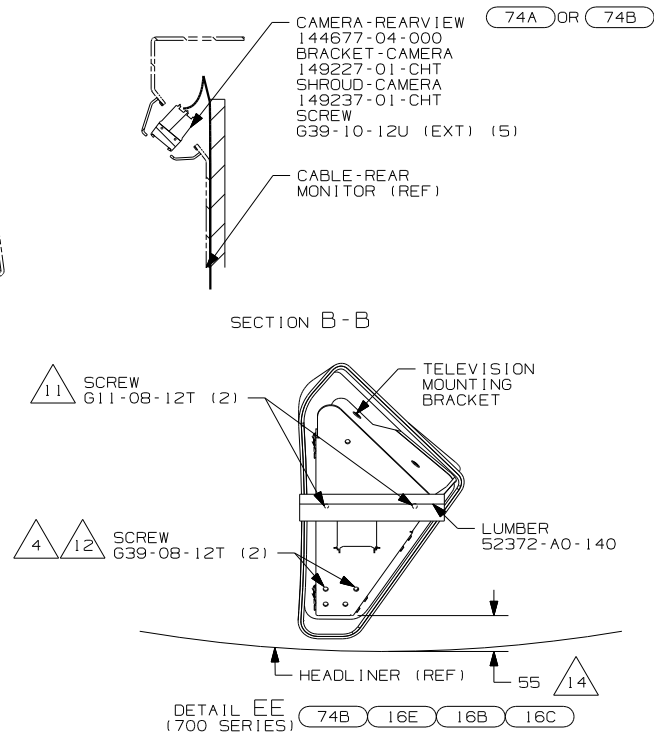
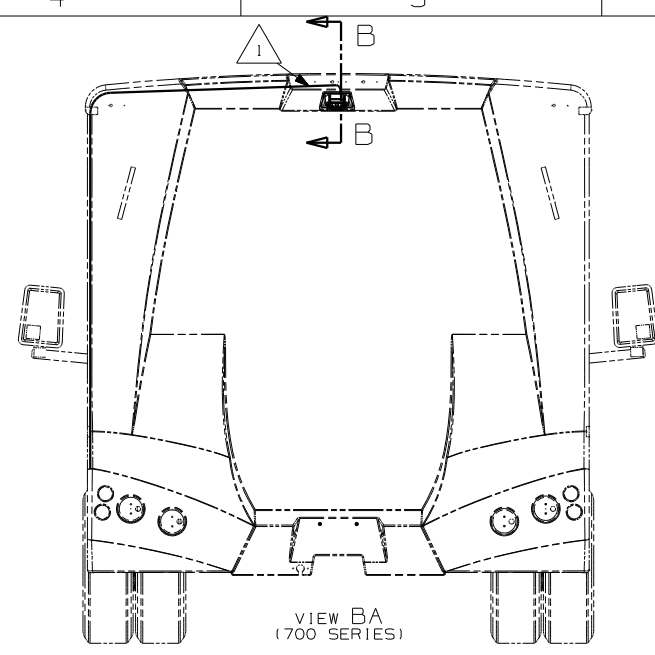
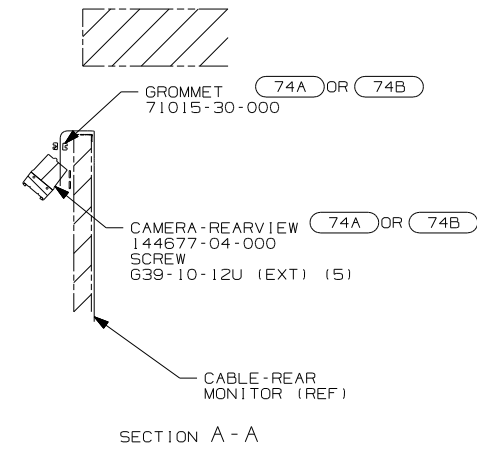
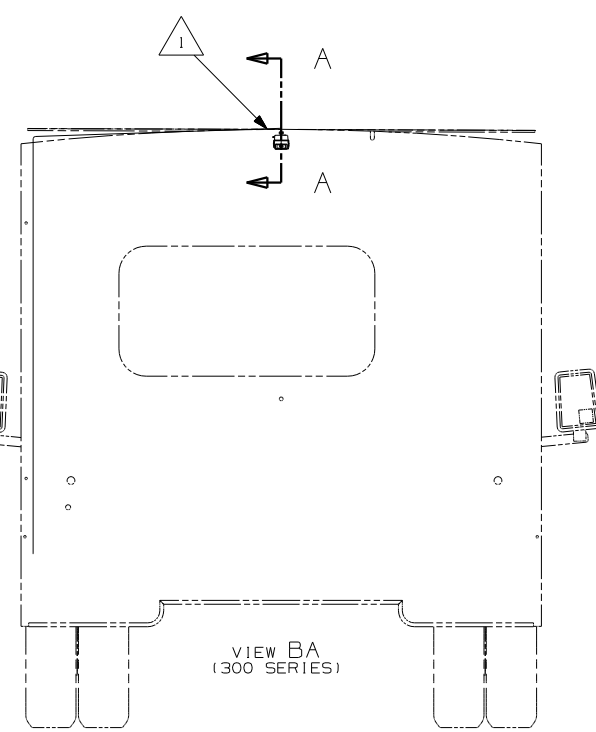
|                        |   |
|------------------------|---|
| WHOLE DIM (X)          |   |
| ONE-PLACE (X.X)        | 1 |
| TWO-PLACE (X.XX)       |   |
| ANGLE                  |   |
| THIRD ANGLE PROJECTION |   |

DO NOT SCALE DRAWING

TITLE: MONITOR INSTL.

SHEET 1 OF 3 PART NO 151876

REF: 1 7/25/2005

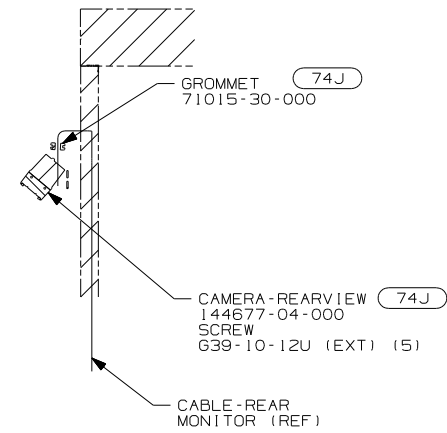
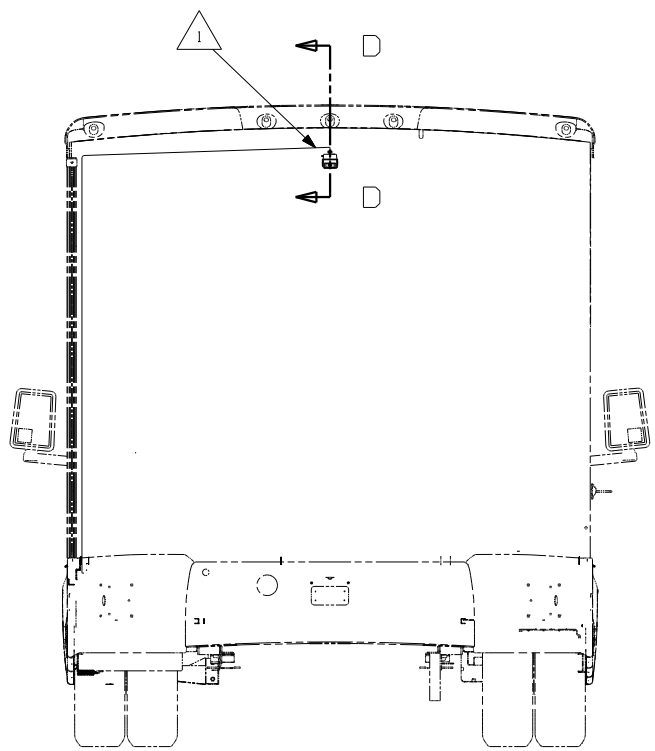


- NOTES:
- 7 MOUNT ADAPTER BOX BEHIND TRIM PANEL WITH FASTENER-DUAL LOCK 85774-01-000 (100mm) & 85774-02-000 (100mm).
  - 6 CONNECT REAR MONITOR CABLE TO A/VI WIRE IN ADAPTER BOX.
  - 5 REAR MONITOR CABLE IS PART OF THE WIRE ASSEMBLY CHASSIS AND IS TO END BETWEEN SUNVISORS.
  - 4 MONITOR BRACKET MOUNTING SCREWS TO BE SCREWED INTO FORD INNER WINDSHIELD HEADER AS FAR TO THE PASSENGER SIDE AS ALLOWED BY THE HOLE IN THE HEADER TRIM PANEL.
  - 3 PLUG 3 PIN POWER HARNESS AND REAR MONITOR CABLE INTO REAR MONITOR ASSEMBLY.
  - 2 CUT VINYL PAD AND FOLD MATERIAL BACK INTO OPENING FOR REAR MONITOR MOUNTING PLATE.
  - 1 END CABLE IN THIS AREA ON UNITS WITHOUT MONITOR W/ (1H4).
  - 14 INSTALL MOUNTING BRACKET 55MM FROM EDGE OF HEADLINER ON 700-SER.
  - 13 INSTALL MOUNTING BRACKET 20mm FROM EDGE OF HEADLINER ON 300-SER.
  - 12 SCREW INTO PLACE AFTER HEADLINER INSTALLATION.
  - 11 ASSEMBLE MOUNTING BRACKET TO HEADLINER PRIOR TO HEADLINER INSTALLATION. PLACE LUMBER ON BACK SIDE OF HEADLINER AND PLACE MOUNTING BRACKET ON FRONT SIDE OF HEADLINER. SCREW THROUGH HEADLINER INTO LUMBER.
  - 10 SNAP MONITOR ONTO MOUNTING BRACKET.
  - 9 SEND REMOVED FORD SUNVISOR TO WAREHOUSE UNDER PART NUMBER 150079-03-000.
  - 8 REMOVE FORD SUNVISOR AND MOUNT THE REAR MONITOR REUSING THE FORD SUPPLIED SCREWS. ROUTE THE MONITOR WIRE UNDER THE VINYL PAD AND A-PILLAR COVER.

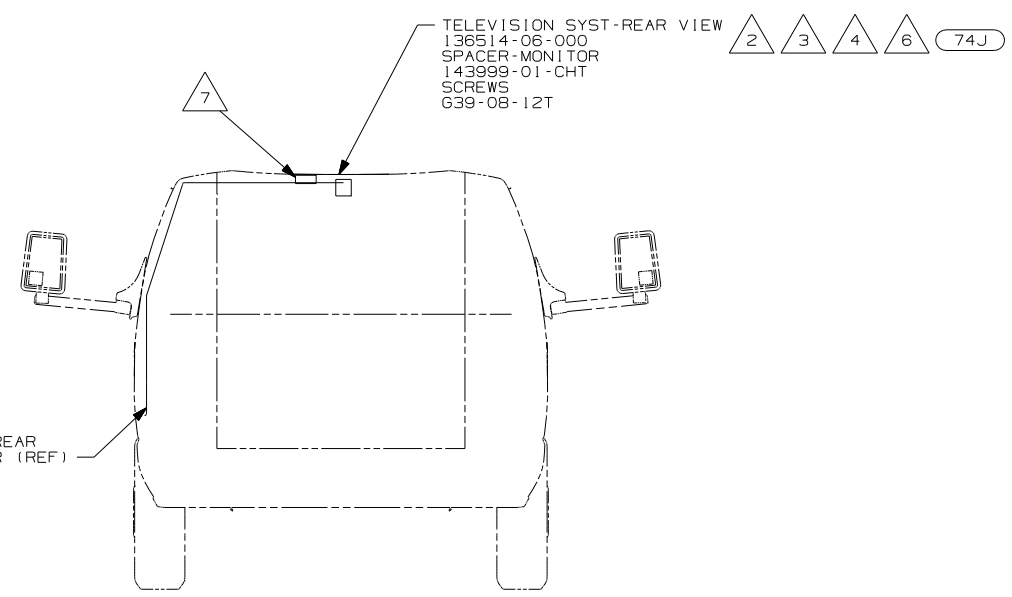
- 16E 16B 16C
- 74B 10 4 3
- 1PY 74B 10 3
- TELEVISION SYST-REAR POD 156442-01-CHT
- TELEVISION SYST 156930-01-CHT

- 16C FORD CHASSIS 11,500 LB.GVWR
- 16B FORD CHASSIS 10,700 LB.GVWR
- 16E FORD CHASSIS 14,050 LB.GVWR
- 1PY CHEVY CHASSIS 14,050 LB GVWR
- 1L7 FORD CAB - GRAY INTERIOR
- 74B REARVIEW MONITOR SYSTEM
- 74A RR MONITOR SYS-SUNVISOR MNTR
- 74J REARVIEW MONITOR SYSTEM
- 1H4 REARVIEW MONITOR-WIRE PREP

|            |                      |        |
|------------|----------------------|--------|
| FIRST USED | 06 C-BODIES          |        |
| TITLE:     | DO NOT SCALE DRAWING |        |
| SHEET 2    | PART NO              | 151876 |



SECTION D-D



VIEW BB (400 SERIES) (74J)

- NOTES:
- 7 MOUNT ADAPTER BOX BEHIND TRIM PANEL WITH FASTENER-DUAL LOCK 85774-01-000 (100mm) & 85774-02-000 (100mm).
  - 6 CONNECT REAR MONITOR CABLE TO A/VI WIRE IN ADAPTER
  - 5 REAR MONITOR CABLE IS PART OF THE WIRE ASSEMBLY CHASSIS AND IS TO END BETWEEN SUNVISORS.
  - 4 MONITOR BRACKET MOUNTING SCREWS TO BE SCREWED INTO FORD INNER WINDSHIELD HEADER AS FAR TO THE PASSENGER SIDE AS ALLOWED BY THE HOLE IN THE HEADER TRIM PANEL.
  - 3 PLUG 3 PIN POWER HARNESS AND REAR MONITOR CABLE INTO REAR MONITOR ASSEMBLY.
  - 2 CUT VINYL PAD AND FOLD MATERIAL BACK INTO OPENING FOR REAR MONITOR MOUNTING PLATE.
  - 1 END CABLE IN THIS AREA ON UNITS WITHOUT MONITOR w/ (1H4).

- (74J) REARVIEW MONITOR SYS W/AUDIO
- (1H4) REARVIEW MONITOR-WIRE PREP

|            |  |
|------------|--|
| FIRST USED | 06 C-BODIES                            |
| TITLE      | DO NOT SCALE DRAWING<br>MONITOR INSTL. |
| SHEET 3    | PART NO 151876                         |