

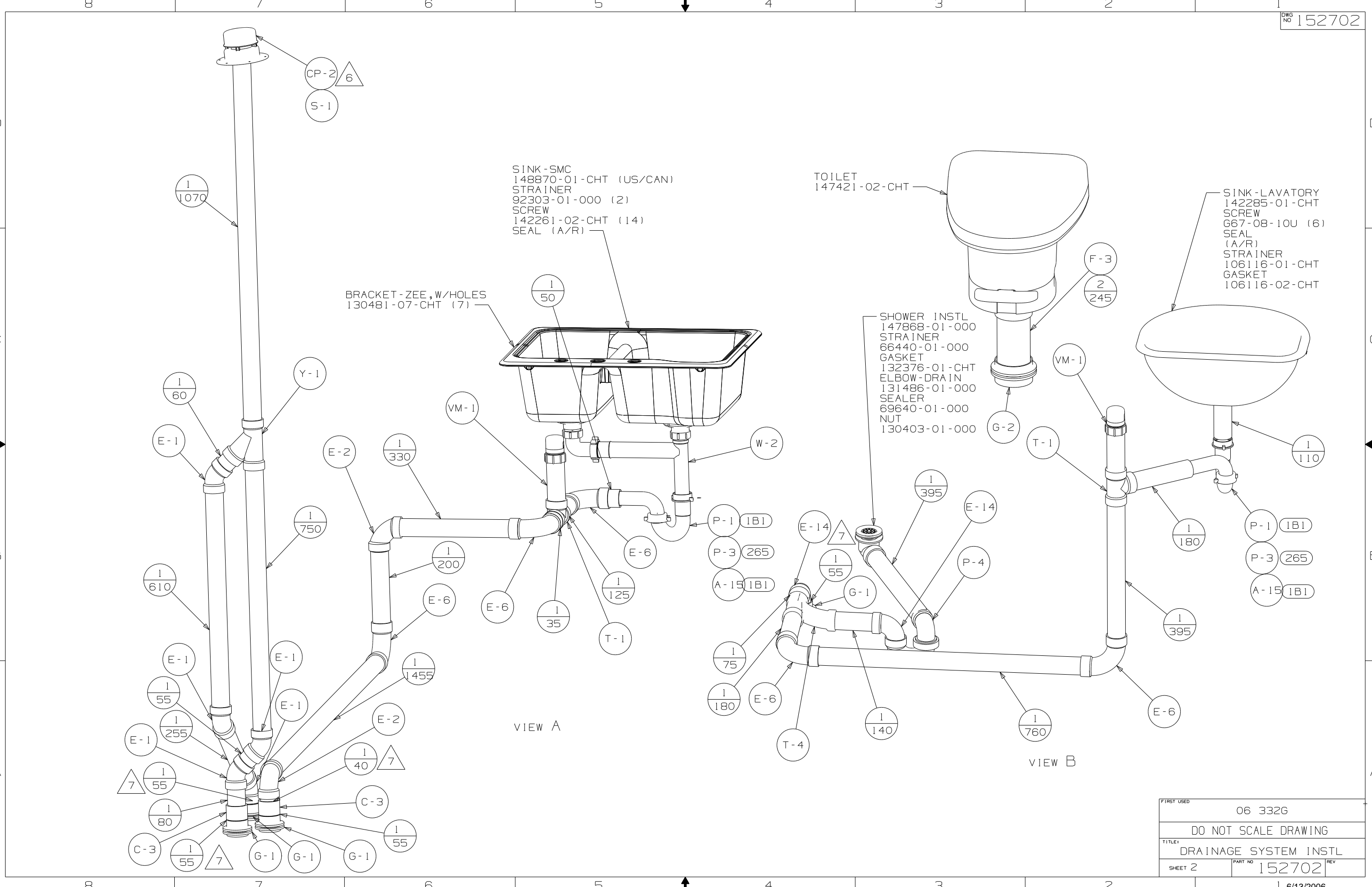
FRONT
OF
COACH

- NOTES:
9. SEE WIRING INSTL-BODY, 12V FOR ELECTRICAL CONNECTION.
 8. SECURE PIPES TO CABINET USING WIRE TIE 108046-02-000 AND SCREW G67-10-12B.
 7. SECURE VENT TO FLOOR WITH BRACKET 136878-01-CHT CLAMP 62401-02-000, SCREW G67-10-12B.
 6. VENT PIPE MUST PROJECT 51 MIN AND 64 MAX ABOVE ROOF FOR PROPER FIT AND FUNCTION.
 5. SEAL AROUND SHOWER WITH SILICONE.
 4. ALL EXTERIOR OPENINGS AROUND PIPE TO BE SEALED WITH 110744-01-000.
 3. ALL PIPE AND FITTINGS TO BE ASSEMBLED WITH SOLVENT 4020-01-000.
 2. SLOPE OF TRAP ARM MUST BE 6 PER 305 mm.
 1. SLOPE OF HORIZONTAL PIPING TO BE MIN 6 PER 305 mm.

- (B1) CODES/STANDARDS-USA
- (265) CODES/STDS-CSA/CMVSS
- (23T) DRAINAGE SYSTEM-HEATED

WINNEBAGO		COPYRIGHT 2006 WINNEBAGO INDUSTRIES, INC.	
DFT	ORIG. DATE	ALL DIMENSIONS ARE IN MILLIMETERS	
CHKR			
P.E.			
M.E.			
DSNR	FIRST USED	06 332G	
UNSPECIFIED TOLERANCES ARE:		MATERIAL:	
WHOLE DIM (X)	: 3		
ONE-PLACE (X.X)	:		
TWO-PLACE (X.XX)	:		
ANGLE	:		
THIRD ANGLE PROJECTION			
DO NOT SCALE DRAWING			
TITLE: DRAINAGE SYSTEM INSTL			
SHEET 1 OF 3	PART NO	152702	REV
REF:	1 6/13/2006		

(X-X)
FOR
DRAINAGE
CALLOUTS
SEE DWG NO
116229-01-000



FIRST USED	06 332G
DO NOT SCALE DRAWING	
TITLE	DRAINAGE SYSTEM INSTL
SHEET 2	PART NO 152702 REV

VEHICLE FRONT AXLE

1222

1498

DATUM (CORNER OF FLOOR)

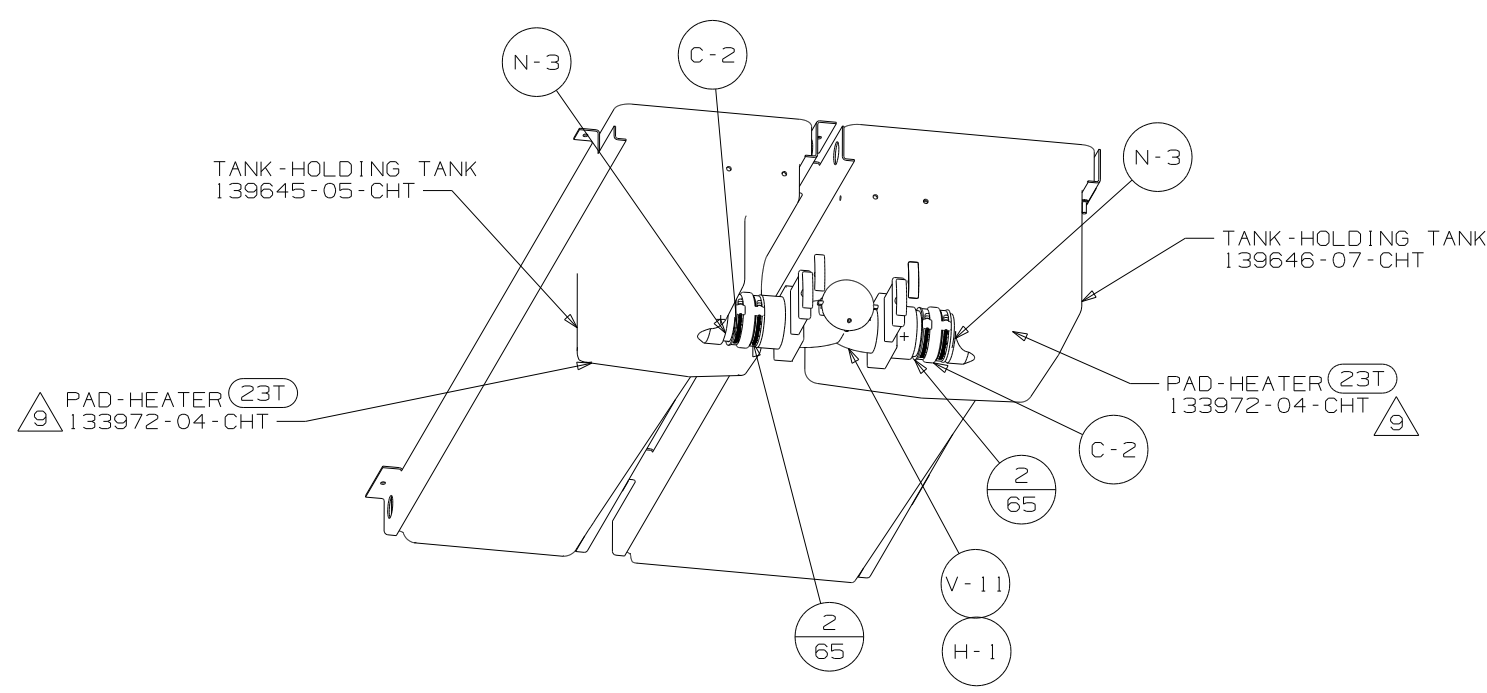
CRADLE ASM
139596-01-CHT
BOLT
C18-05-40A (4)
NUT
D13-05-00B (4)

CRADLE ASM
139597-01-CHT
BOLT
C18-05-40A (4)
NUT
D13-05-00B (4)

20

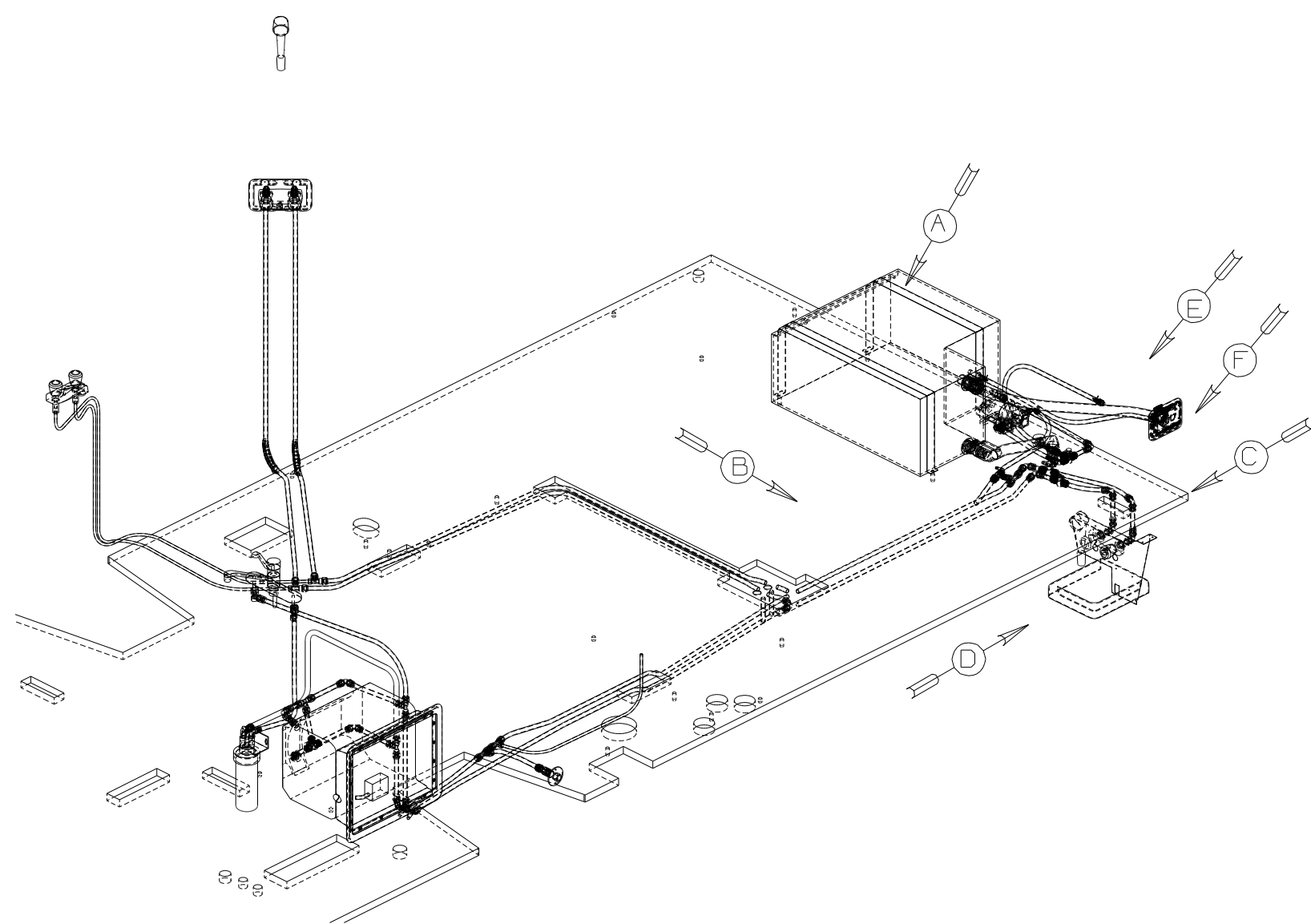
4559

VIEW C



VIEW D

FIRST USED	06 332G
DO NOT SCALE DRAWING	
TITLE	DRAINAGE SYSTEM INSTL
SHEET 3	PART NO 152702 REV

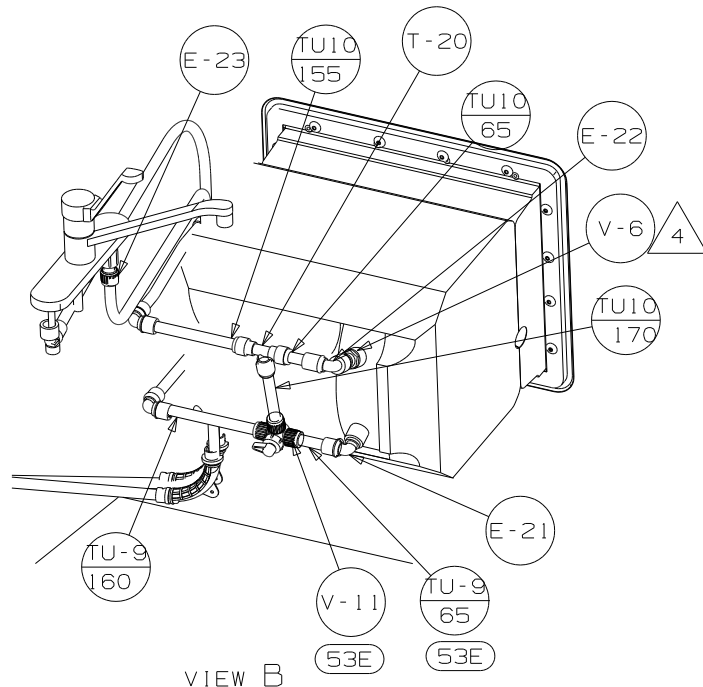


- (45H) DELUXE FEATURE PACKAGE
- (64R) EXTERIOR WASH STATION
- (1J4) EXT WASH STATION-WITHOUT
- (501) WATER PURIFIER WITHOUT
- (29B) WATER PURIFIER
- (49X) BED-QUEEN-BACKWALL
- (53P) WINTERIZING VALVE, MANUAL
- (53E) WINTERIZATION PACKAGE
- (53F) WATER HEATER-6 GAL ELEC IGN

- NOTES:
- 5 ALL TEFLON TAPE 10405-01-000 TO FITTING.
 - 4 ADD TEFLON TAPE 10405-02-000 TO FITTING.
 - 3. ALL TUBING TO BE SECURED AT 1200 INTERVALS MAXIMUM WITH CLAMP 10495-01-000 OR CLIP 9151-01-000 AND SCREW G67-10-12B.
 - 2. TUBING TO BE INSTALLED WITH SUFFICIENT SLOPE TO PROVIDE DRAINAGE TO NEAREST VALVE.
 - 1. PLASTIC FITTINGS TO BE SEALED WITH SEALANT 84456-01-000.

(X-X)
FOR WATER CALLOUTS SEE DWG NO 116230-01-000

WINNEBAGO		COPYRIGHT 2006 WINNEBAGO INDUSTRIES, INC.	
DFTR	ORIG. DATE	ALL DIMENSIONS ARE IN MILLIMETERS	
CHKR			
P.E.			
M.E.	FIRST USED	06 322G	
DSNR			
UNSPECIFIED TOLERANCES ARE:		MATERIAL:	
WHOLE DIM (X)	: 3		
ONE-PLACE (X.X)	:		
TWO-PLACE (X.XX)	:		
ANGLE	:		
THIRD ANGLE PROJECTION		DO NOT SCALE DRAWING	
TITLE: WATER SYSTEM INSTL			
SHEET 1 OF 4	PART NO	152701	REV
REF:	1 6/13/2006		



- WATER HEATER 51391-03-000
- DOOR 78506-01-CHT 53F
- FLANGE-WATER HEATER 152239-01-CHT
- AL EXTR 151293-51-002 (2)
- 151293-51-003 (2)
- SCREW 639-10-169 (18)
- SEALANT 69640-14-000
- 112864-01-000
- CABLE 76767-03-000
- SCREW 611-06-08B (2)

- FAUCET 149164-01-CHT
- SPACER-FAUCET 137079-02-CHT

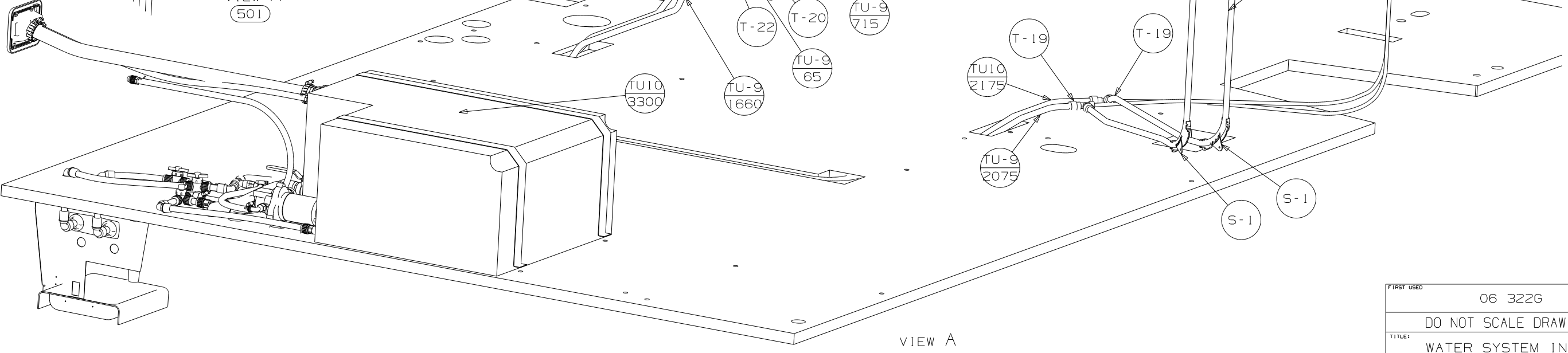
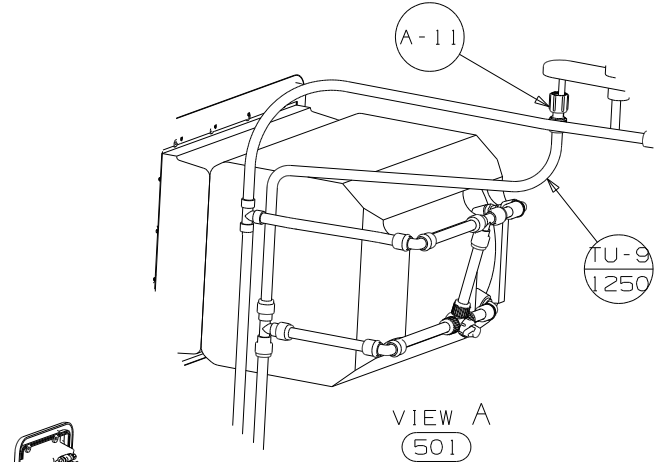
- SH-1 SCREW 611-08-16U (2)

- FAUCET-SHOWER 79563-03-CHT
- PANEL 78498-01-CHT
- SCREW 611-08-12U (4)
- COVER 78500-01-CHT (4)

- FAUCET-LAVATORY 148886-01-CHT
- 152311-01-CHT 45H
- GASKET 91253-01-CHT

- SCREW 668-06-10U (2)
- SEALANT

- FILTER 87200-01-000 29B
- CARTRIDGE 87200-02-000
- SCREW 667-10-12U (2)



FIRST USED	06 322G
TITLE	DO NOT SCALE DRAWING
TITLE	WATER SYSTEM INSTL
SHEET 2	PART NO 152701 REV

- TANK ASM-WATER, 31 GAL
64214-24-000
- STRAP-TANK, WATER
118994-03-CHT
- 118994-04-CHT
- BOLT
- C18-05-40A (4)
- NUT
- D39-05-00B (4)
- WASHER
- E13-16-00B (4)

- VALVE
132483-01-000
- ELBOW
132781-01-000

- ELBOW
132484-01-000

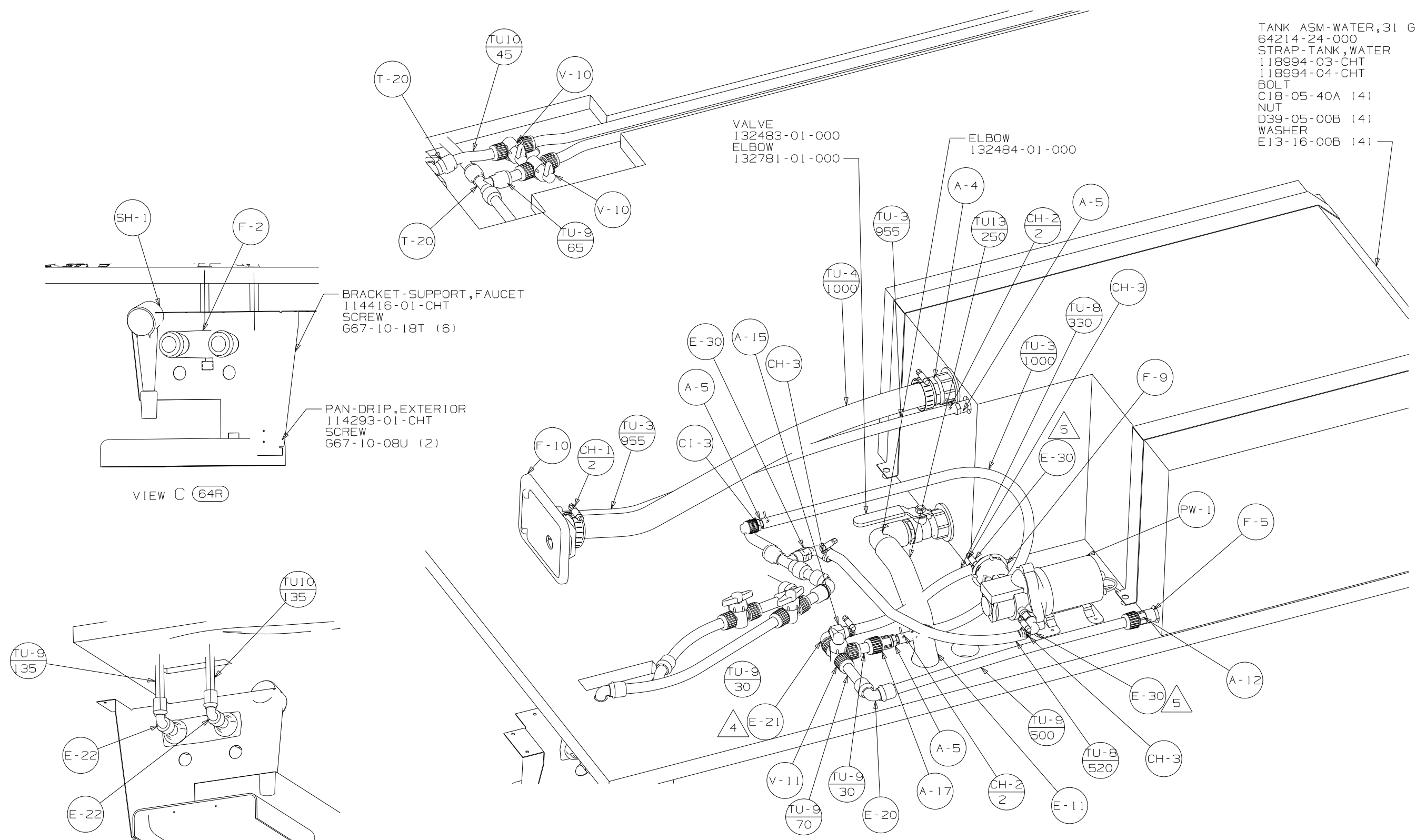
- BRACKET-SUPPORT, FAUCET
114416-01-CHT
- SCREW
G67-10-18T (6)

- PAN-DRIP, EXTERIOR
114293-01-CHT
- SCREW
G67-10-08U (2)

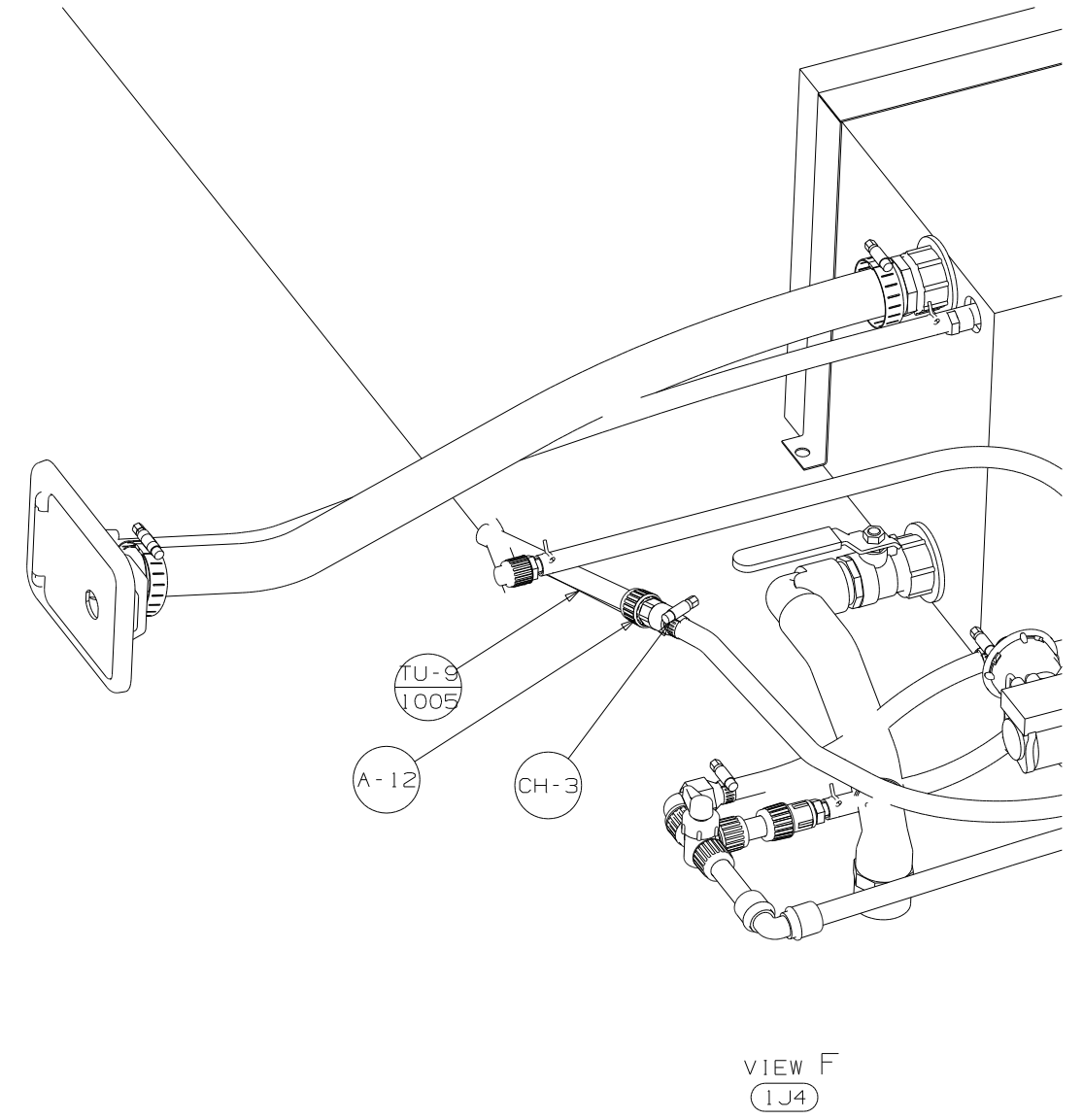
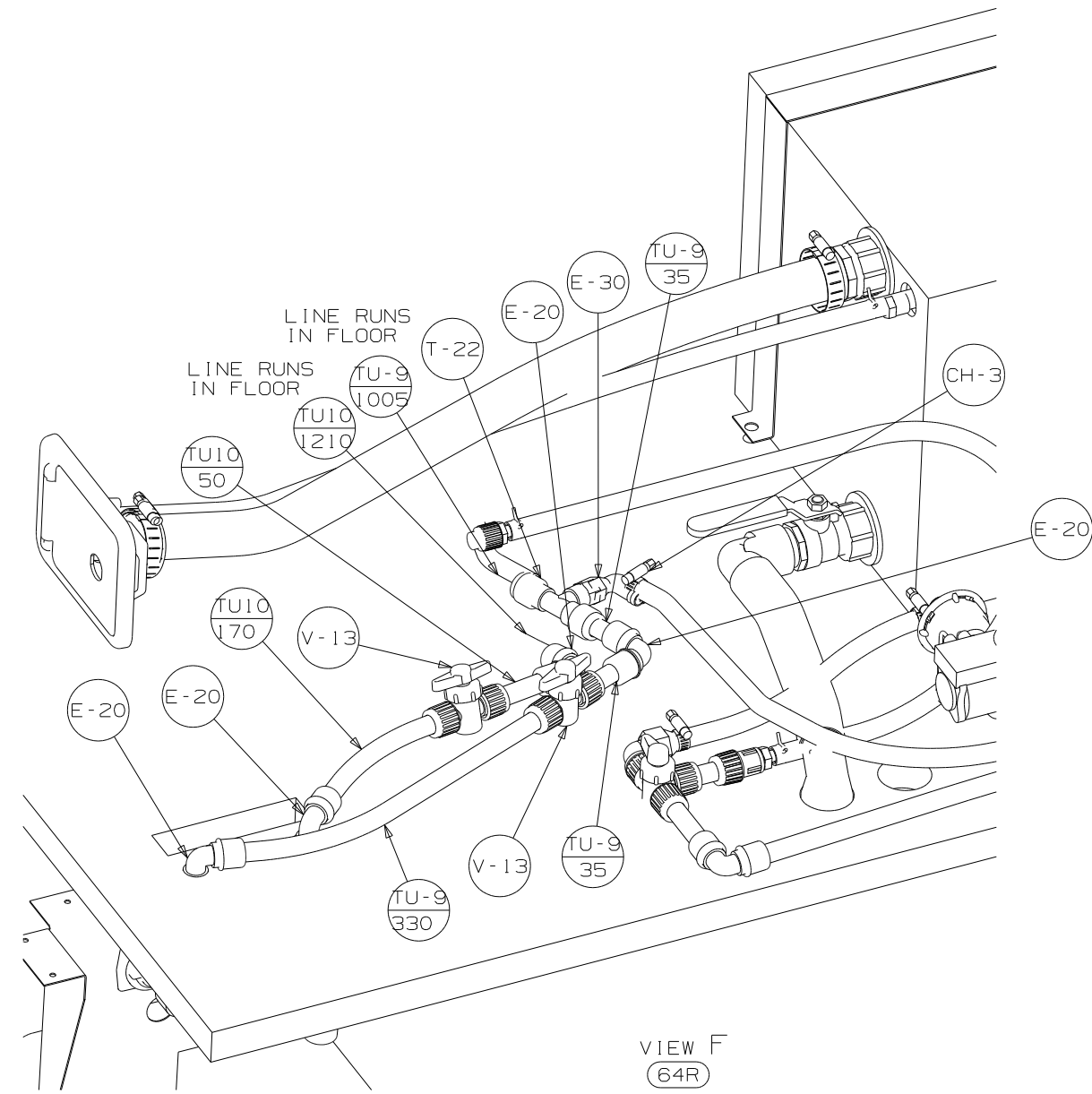
VIEW C (64R)

VIEW D (64R)

VIEW E



FIRST USED	06 322G		
TITLE	DO NOT SCALE DRAWING		
TITLE	WATER SYSTEM INSTL		
SHEET 3	PART NO	152701	REV



FIRST USED	06 322G		
TITLE	DO NOT SCALE DRAWING		
	WATER SYSTEM INSTL		
SHEET 4	PART NO	152701	REV