



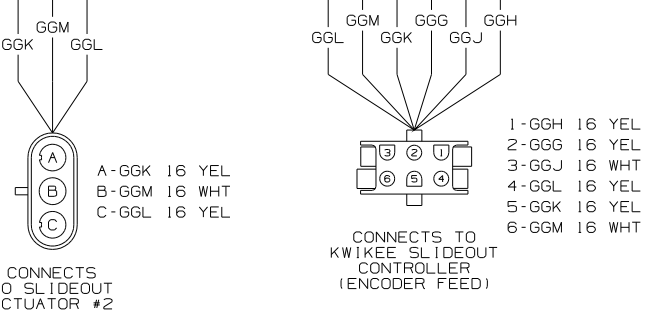
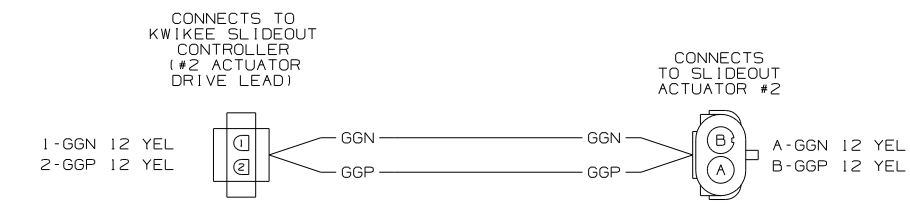
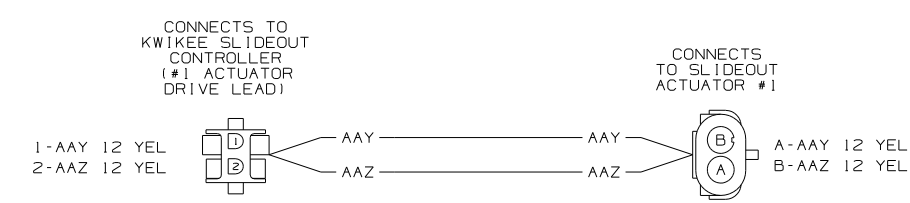
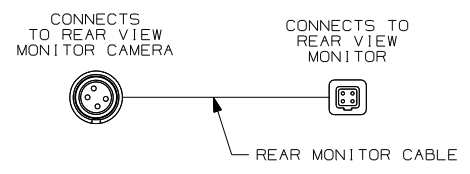
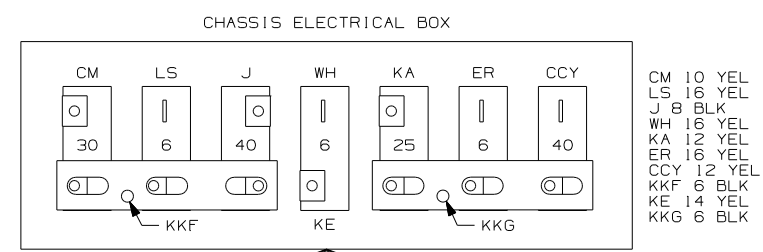
DANGER

Danger of electrical shock, burns or death. Always remove all power sources before attempting any repair, service or diagnostic work. Power can be present from shore power, generator, inverter or battery. All power sources must be disabled and secured before performing any service.

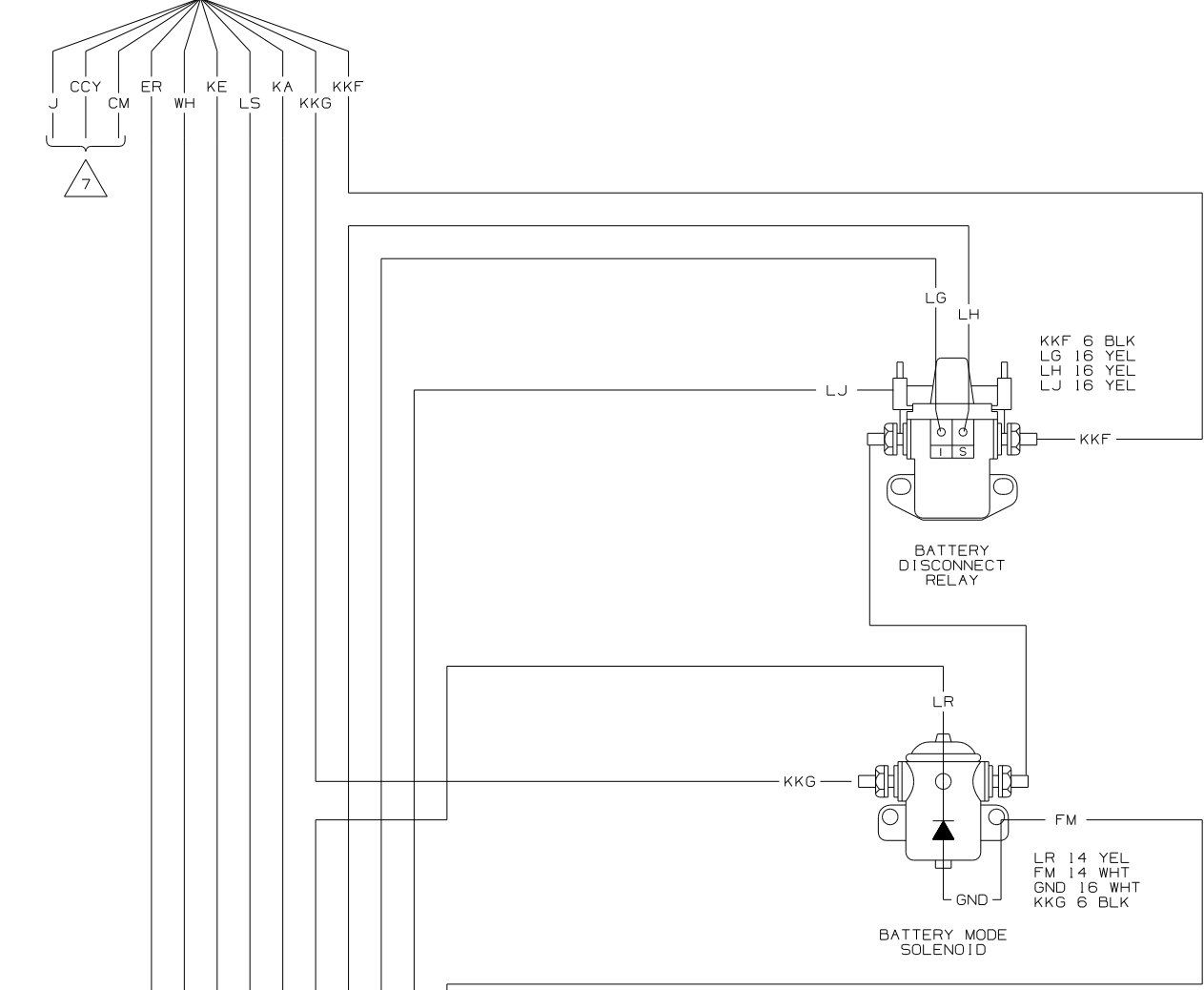


CAUTION

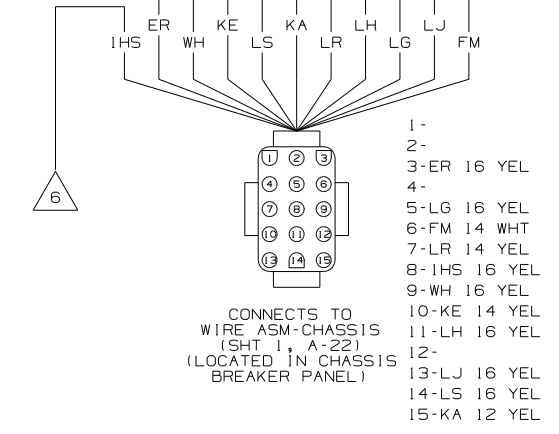
If you lack the skills, tools or equipment to perform diagnostic or repair work leave such work to an authorized Winnebago Industries dealer or other qualified shop.



WIRING DIAGRAM-CHASSIS
(WIRE ASM 152757 REV-H)



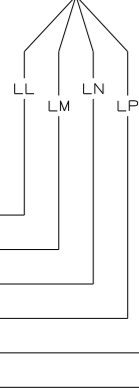
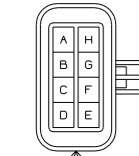
WIRING DIAGRAM-ELECTRICAL BOX
(WIRE ASM 124125-04 REV-L)



WINNEBAGO		COPYRIGHT 2004 WINNEBAGO INDUSTRIES, INC.	
DFTR	ORIG. DATE	ALL DIMENSIONS ARE IN MILLIMETERS	
CHR		FIRST USED	
P.E.		06 331C & T	
M.E.		UNSPECIFIED TOLERANCES ARE:	
DSNR		MATERIAL:	
		WHOLE DIM (X)	:
		ONE-PLACE (X.X)	:
		TWO-PLACE (X.XX)	:
		ANGLE	:
		THIRD ANGLE PROJECTION	:
DO NOT SCALE DRAWING			
TITLE: WIRING DIAGRAM-BODY, 12V			
SHEET 1 of 7	PART NO	152792	

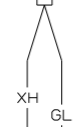
CONNECTS TO GENERATOR

- A-LN 16 WHT
- B-LM 16 WHT
- C-LL 16 WHT
- D-
- E-
- F-LP 16 YEL
- G-
- H-



CONNECTS TO WIRE ASM-TANK, WATER

- 1-XH 16 YEL
- 2-GL 16 WHT



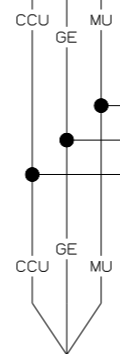
LP TANK

- JT 16 YEL
- MP 16 WHT



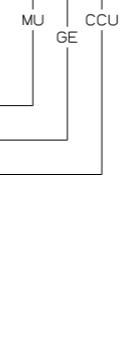
DOMELAMP

- CCU 16 YEL
- GE 16 YEL
- MU 14 WHT



DOMELAMP

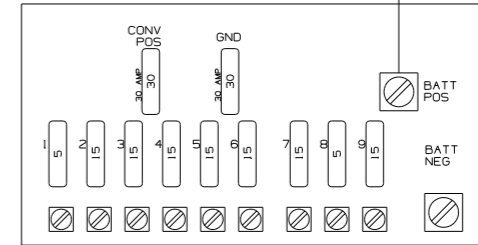
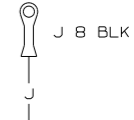
- CCU 16 YEL
- GE 16 YEL
- MU 14 WHT



CONNECTS TO FORD WIRING

- BLK-MU 14 WHT
- LT GRN/YEL-CCU 16 YEL
- BLK/LT BLU-GE 16 YEL

CONNECTS TO CIRCUIT BREAKER COACH POWER (SHT 1, D-4)

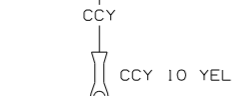


GND

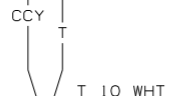
XJ

- 1-XJ 16 YEL
- 2-GL 16 WHT

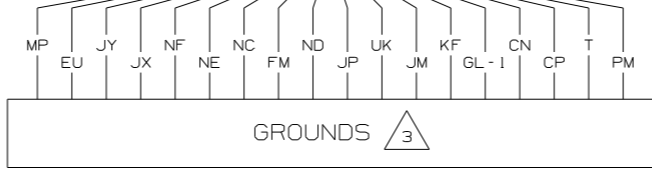
CONNECTS TO WIRE ASM-TANK, MAIN HOLDING



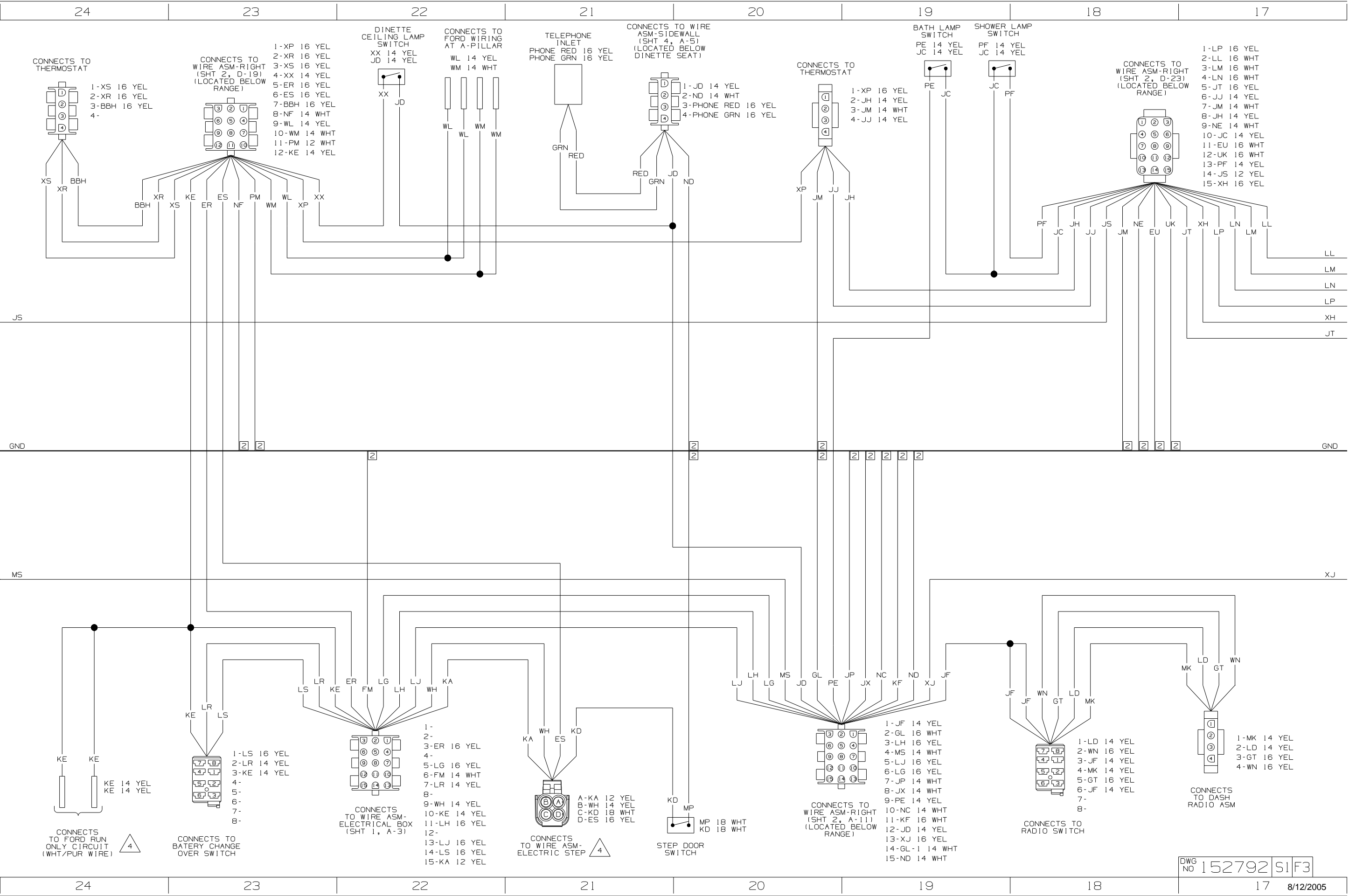
CONNECTS TO CIRCUIT BREAKER SLIDEOUT (SHT 1, D-4)

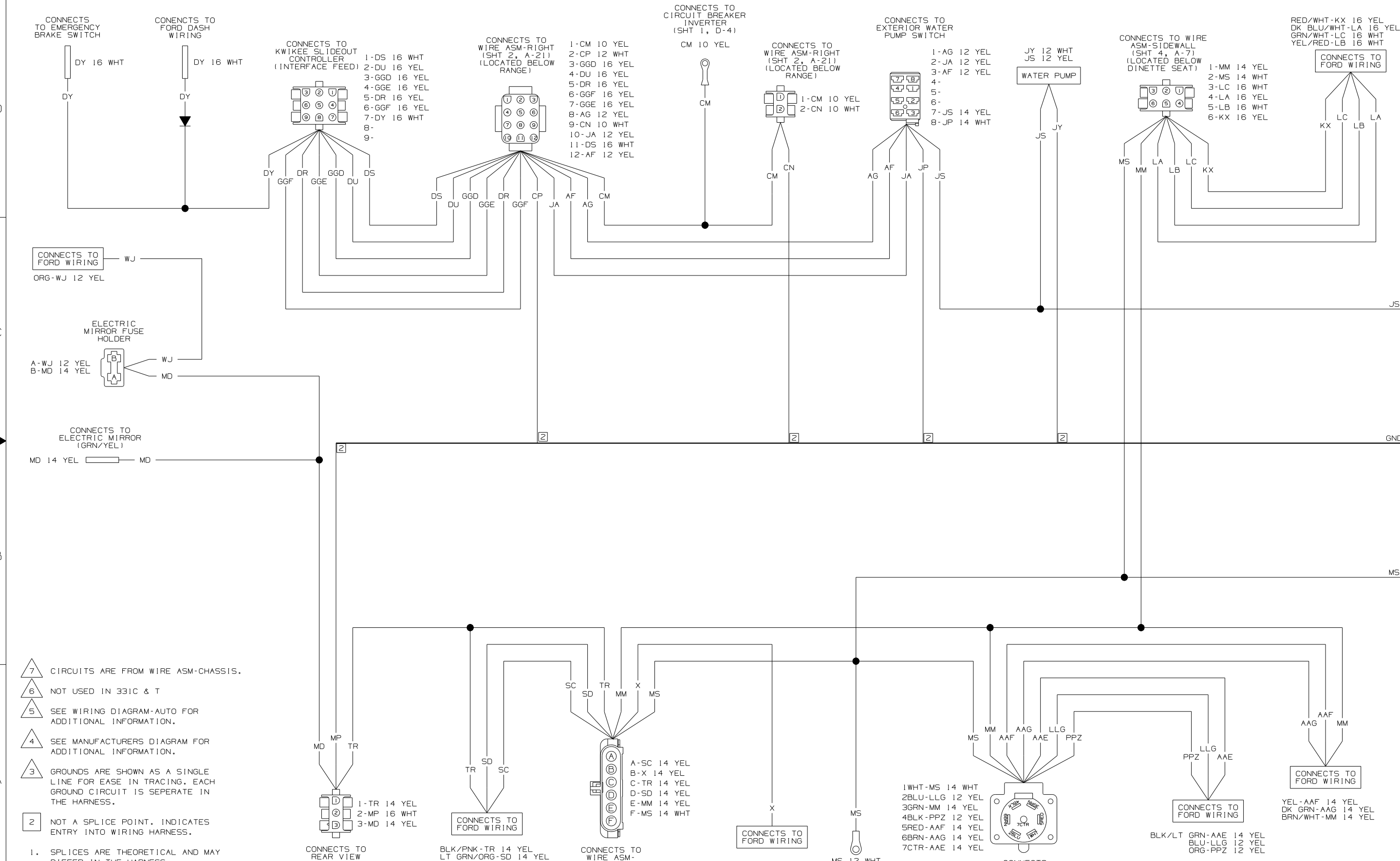


KWIKEE CONTROLLER

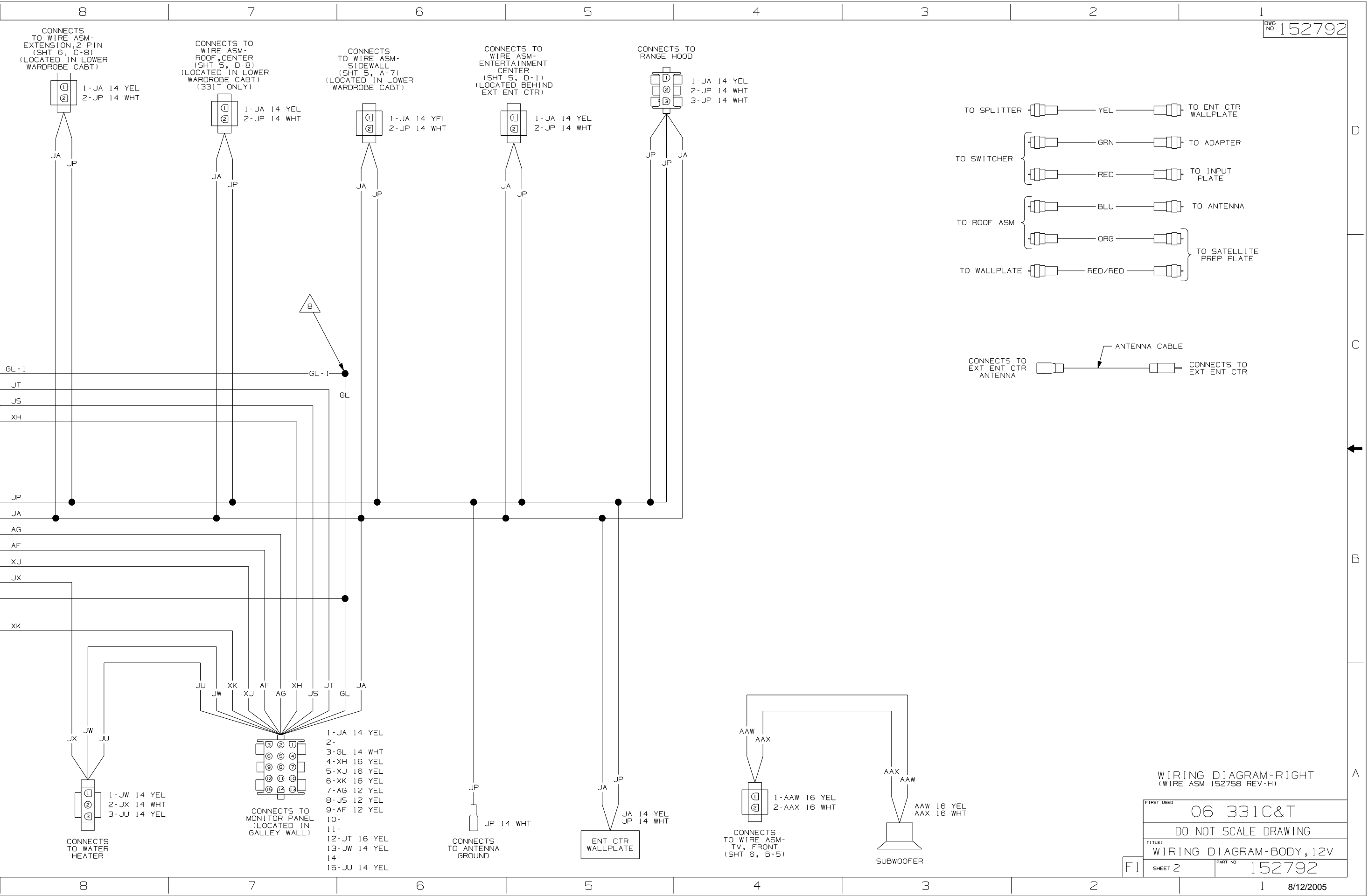


- NF 14 WHT
- JP 14 WHT
- UK 14 WHT
- JM 14 WHT
- KF 14 WHT
- ND 14 WHT
- PM 12 WHT
- MP 16 WHT
- EU 16 WHT
- JY 12 WHT
- JX 14 WHT
- NE 14 WHT
- NC 14 WHT
- FM 14 WHT
- ND 14 WHT
- GL-1 14 WHT
- CN 10 WHT
- CP 12 WHT
- T 10 WHT





- 7 CIRCUITS ARE FROM WIRE ASM-CHASSIS.
 - 6 NOT USED IN 331C & T
 - 5 SEE WIRING DIAGRAM-AUTO FOR ADDITIONAL INFORMATION.
 - 4 SEE MANUFACTURERS DIAGRAM FOR ADDITIONAL INFORMATION.
 - 3 GROUNDS ARE SHOWN AS A SINGLE LINE FOR EASE IN TRACING. EACH GROUND CIRCUIT IS SEPERATE IN THE HARNESS.
 - 2 NOT A SPLICE POINT. INDICATES ENTRY INTO WIRING HARNESS.
1. SPLICES ARE THEORETICAL AND MAY DIFFER IN THE HARNESS.



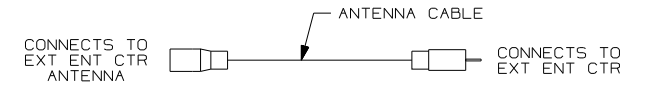
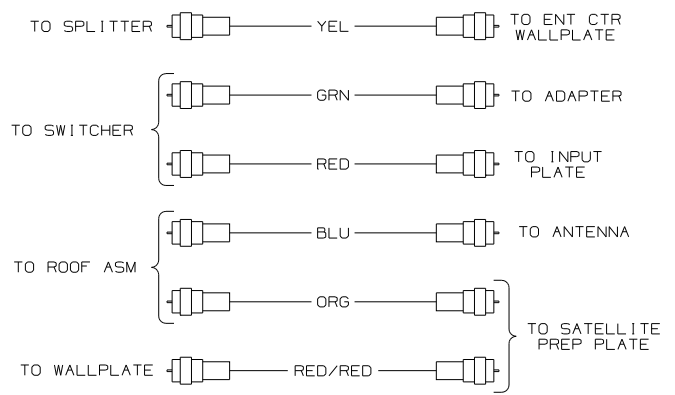
CONNECTS TO WIRE ASM- EXTENSION, 2 PIN (SHT 6, C-8) (LOCATED IN LOWER WARDROBE CABT)

CONNECTS TO WIRE ASM- ROOF, CENTER (SHT 5, D-8) (LOCATED IN LOWER WARDROBE CABT) (331T ONLY)

CONNECTS TO WIRE ASM- SIDEWALL (SHT 5, A-7) (LOCATED IN LOWER WARDROBE CABT)

CONNECTS TO WIRE ASM- ENTERTAINMENT CENTER (SHT 5, D-1) (LOCATED BEHIND EXT ENT CTR)

CONNECTS TO RANGE HOOD



CONNECTS TO WATER HEATER

CONNECTS TO MONITOR PANEL (LOCATED IN GALLEY WALL)

CONNECTS TO ANTENNA GROUND

ENT CTR WALLPLATE

CONNECTS TO WIRE ASM- TV, FRONT (SHT 6, B-5)

SUBWOOFER

WIRING DIAGRAM-RIGHT (WIRE ASM 152758 REV-H)

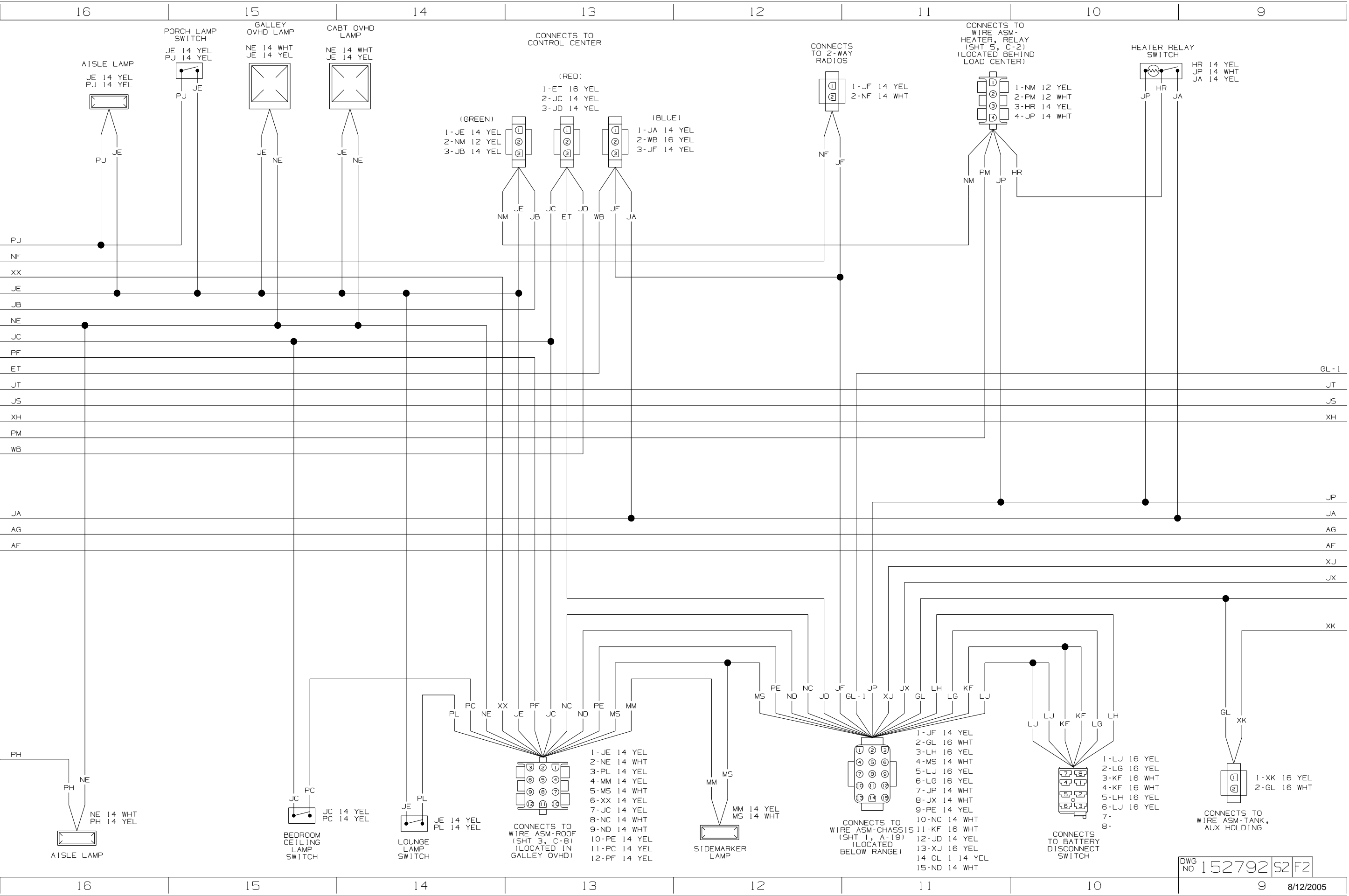
FIRST USED 06 331C&T

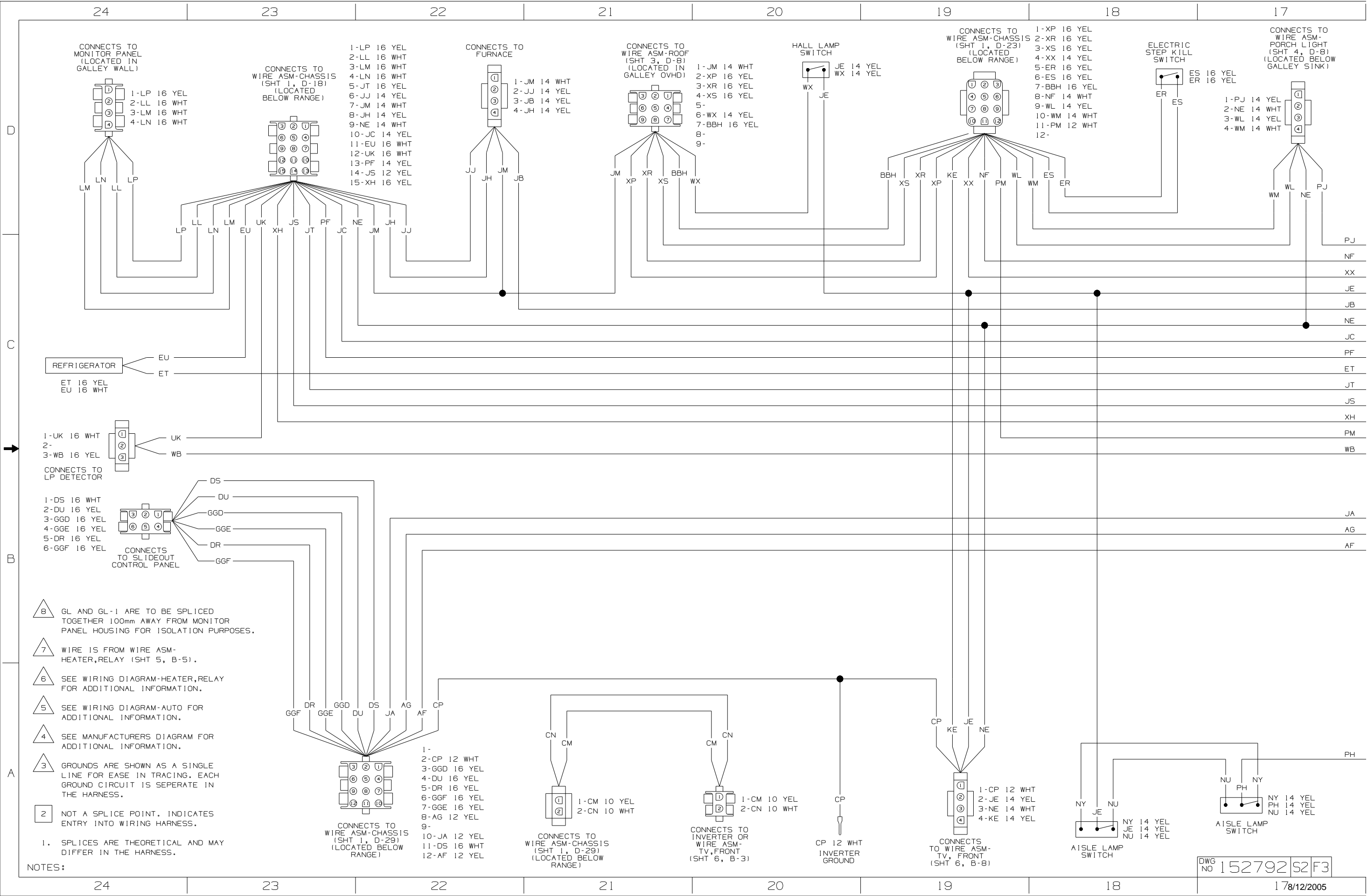
DO NOT SCALE DRAWING

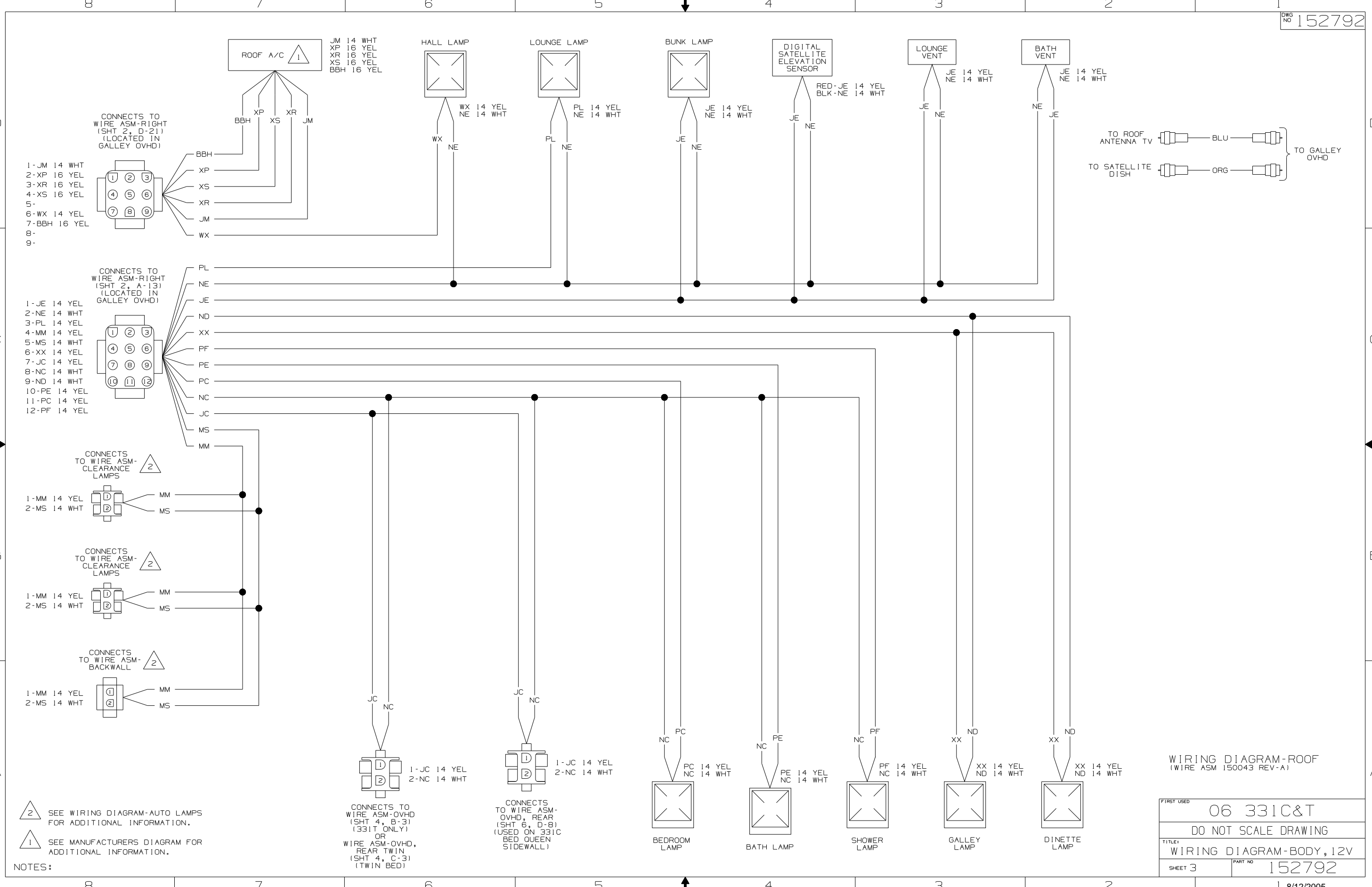
TITLE: WIRING DIAGRAM-BODY, 12V

F1 SHEET 2

PART NO 152792







- 1-JM 14 WHT
- 2-XP 16 YEL
- 3-XR 16 YEL
- 4-XS 16 YEL
- 5-
- 6-WX 14 YEL
- 7-BBH 16 YEL
- 8-
- 9-

- 1-JE 14 YEL
- 2-NE 14 WHT
- 3-PL 14 YEL
- 4-MM 14 YEL
- 5-MS 14 WHT
- 6-XX 14 YEL
- 7-JC 14 YEL
- 8-NC 14 WHT
- 9-ND 14 WHT
- 10-PE 14 YEL
- 11-PC 14 YEL
- 12-PF 14 YEL

- 1-MM 14 YEL
- 2-MS 14 WHT

- 1-MM 14 YEL
- 2-MS 14 WHT

- 1-MM 14 YEL
- 2-MS 14 WHT

NOTES:

△ 2 SEE WIRING DIAGRAM-AUTO LAMPS FOR ADDITIONAL INFORMATION.

△ 1 SEE MANUFACTURERS DIAGRAM FOR ADDITIONAL INFORMATION.

JM 14 WHT
XP 16 YEL
XR 16 YEL
XS 16 YEL
BBH 16 YEL

HALL LAMP
WX 14 YEL
NE 14 WHT

LOUNGE LAMP
PL 14 YEL
NE 14 WHT

BUNK LAMP
JE 14 YEL
NE 14 WHT

DIGITAL SATELLITE ELEVATION SENSOR
RED-JE 14 YEL
BLK-NE 14 WHT

LOUNGE VENT
JE 14 YEL
NE 14 WHT

BATH VENT
JE 14 YEL
NE 14 WHT

CONNECTS TO WIRE ASM-OVHD (SHT 4, B-3) (331T ONLY) OR WIRE ASM-OVHD, REAR TWIN (SHT 4, C-3) (TWIN BED)

1-JC 14 YEL
2-NC 14 WHT

CONNECTS TO WIRE ASM-OVHD, REAR (SHT 6, D-8) (USED ON 331C BED QUEEN SIDEWALL)

1-JC 14 YEL
2-NC 14 WHT

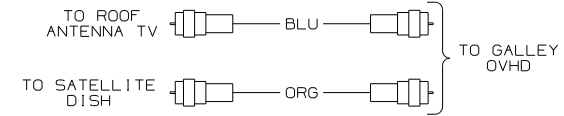
BEDROOM LAMP
PC 14 YEL
NC 14 WHT

BATH LAMP
PE 14 YEL
NC 14 WHT

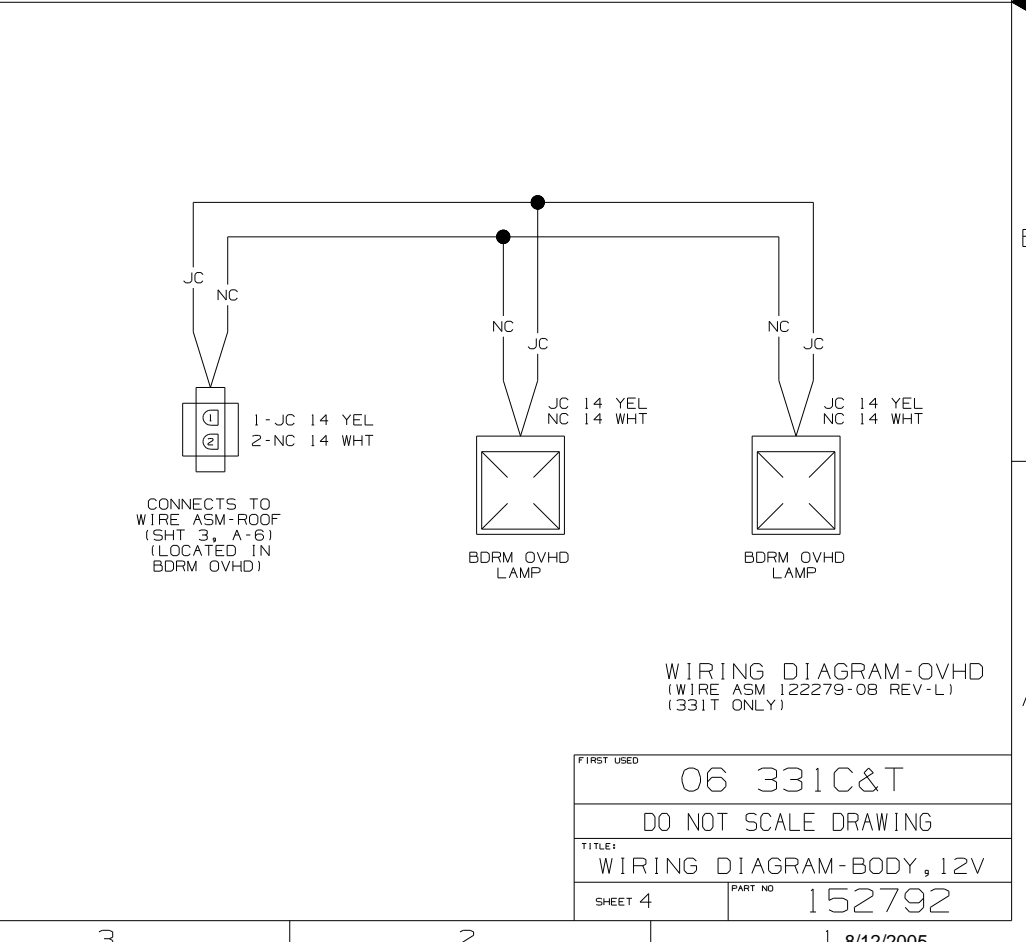
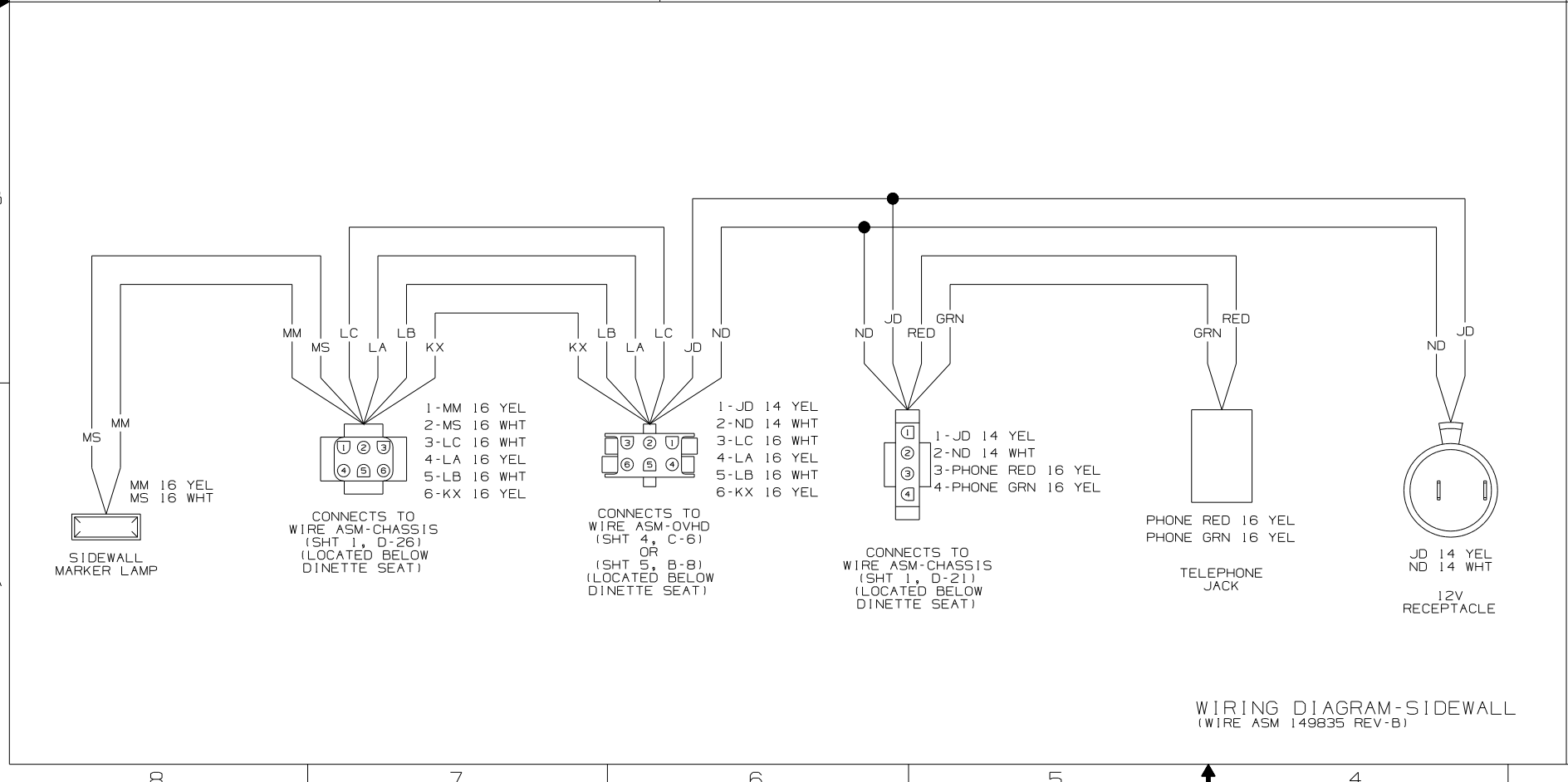
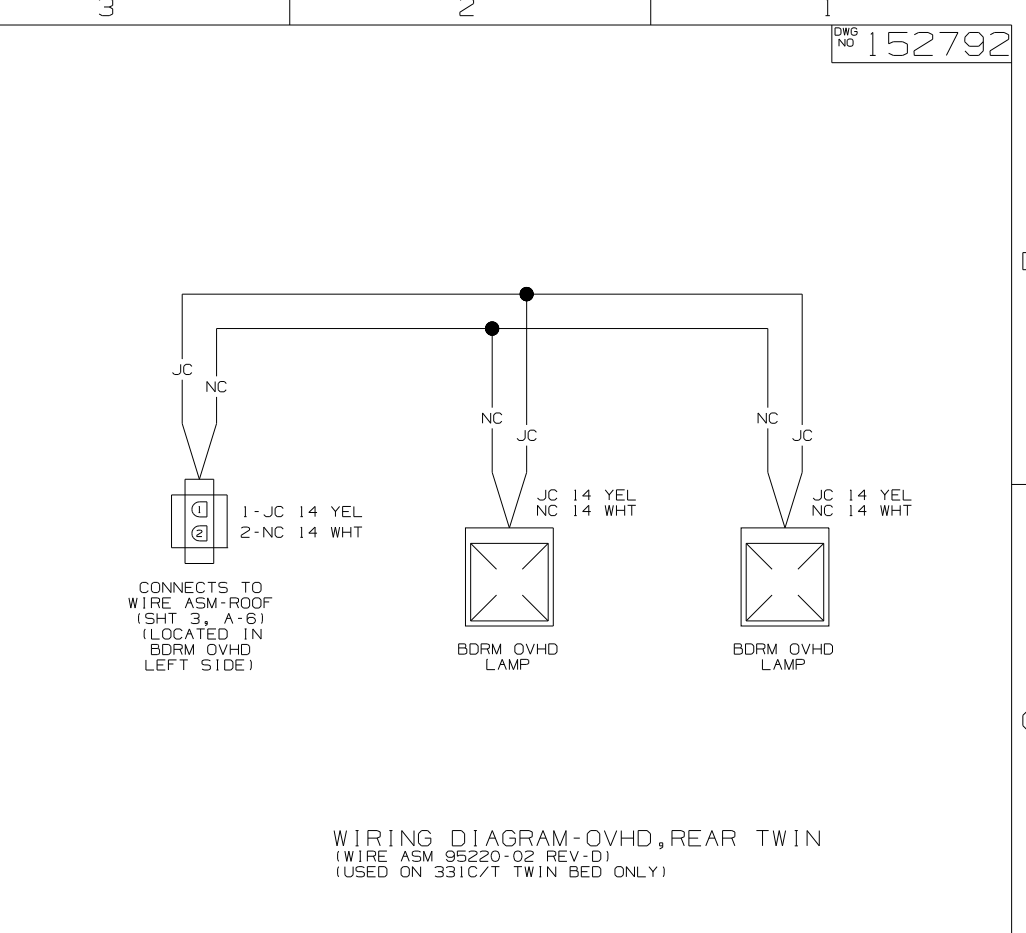
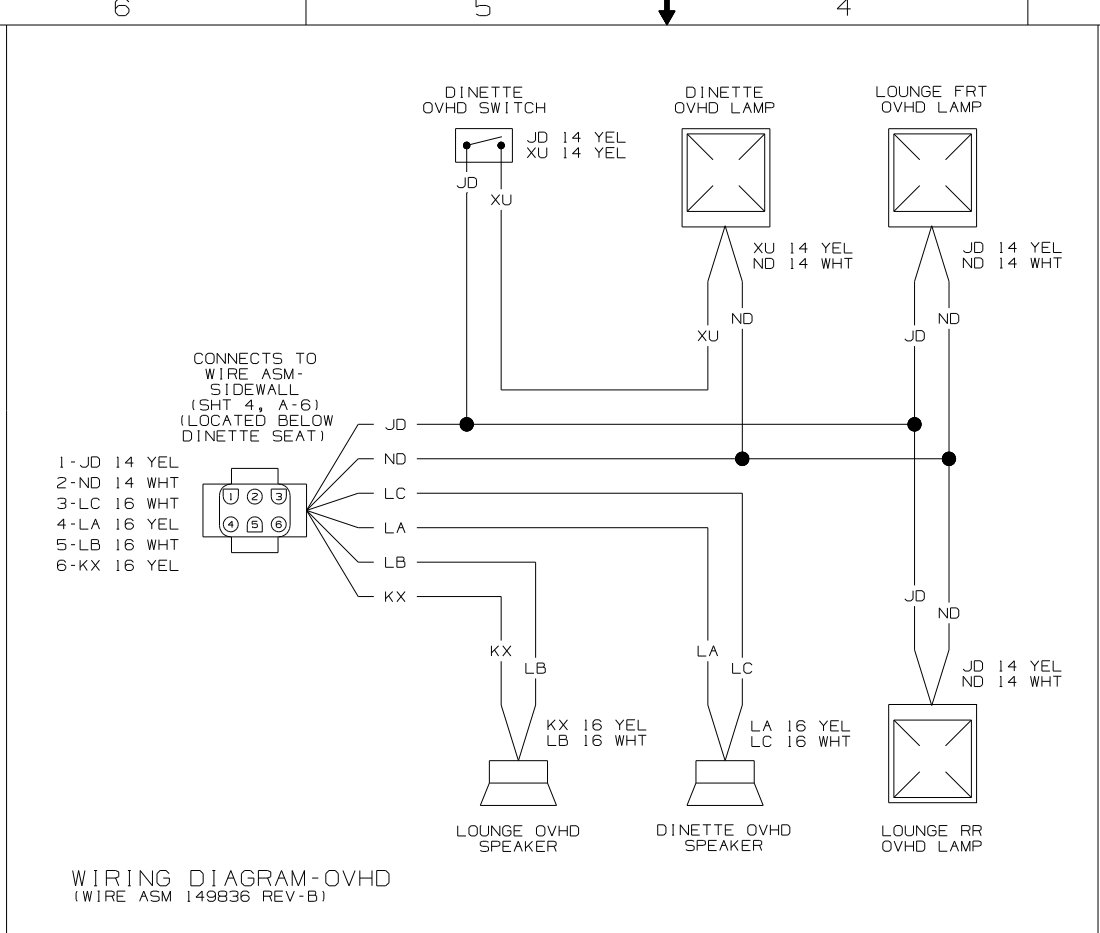
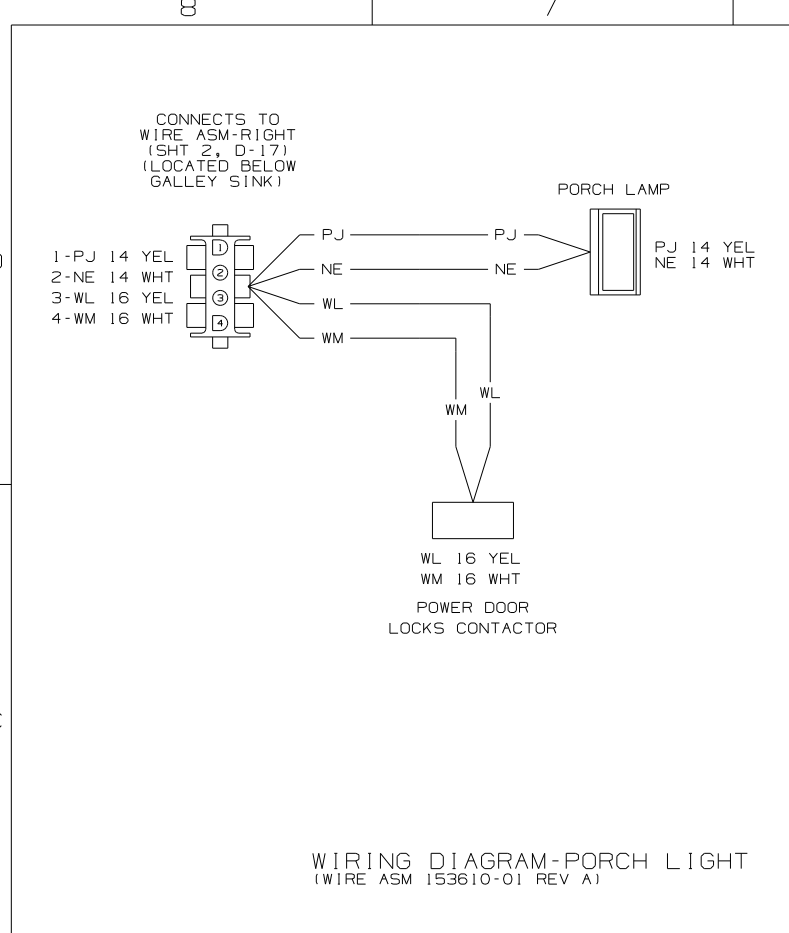
SHOWER LAMP
PF 14 YEL
NC 14 WHT

GALLEY LAMP
XX 14 YEL
ND 14 WHT

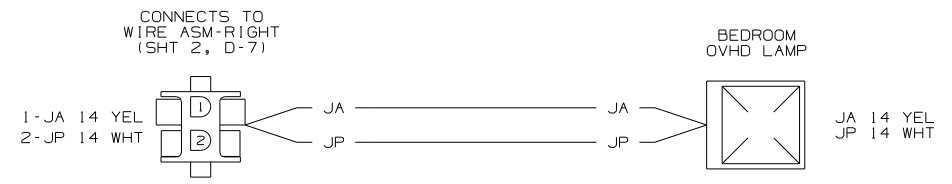
DINETTE LAMP
XX 14 YEL
ND 14 WHT



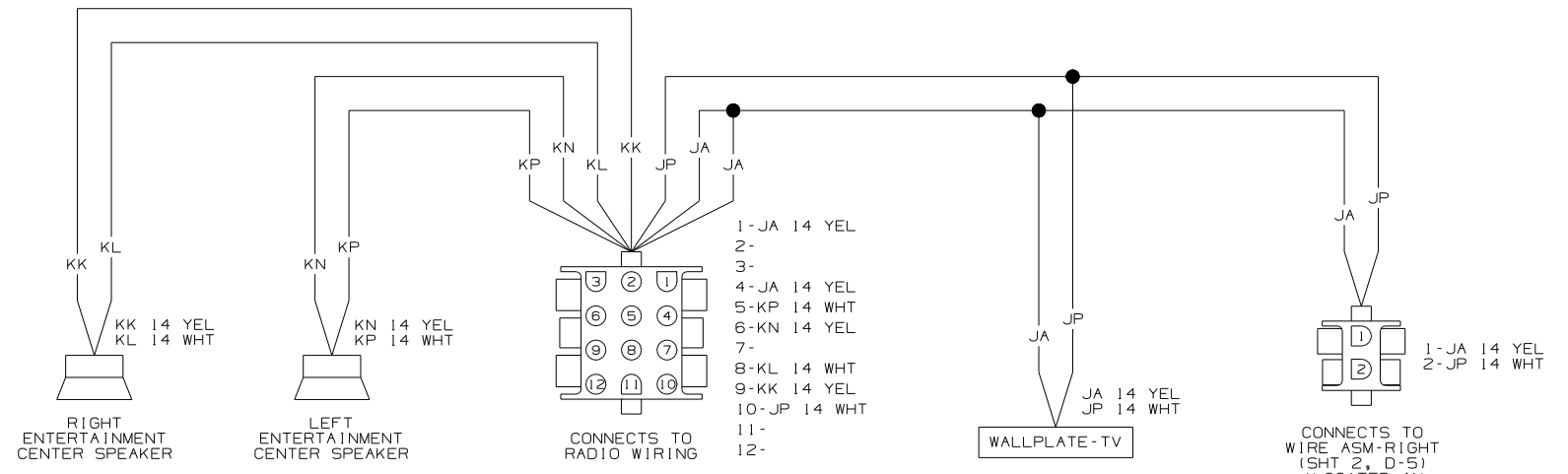
FIRST USED	06 331C&T
TITLE	DO NOT SCALE DRAWING
WIRING DIAGRAM-BODY, 12V	
SHEET 3	PART NO 152792
1 8/12/2005	



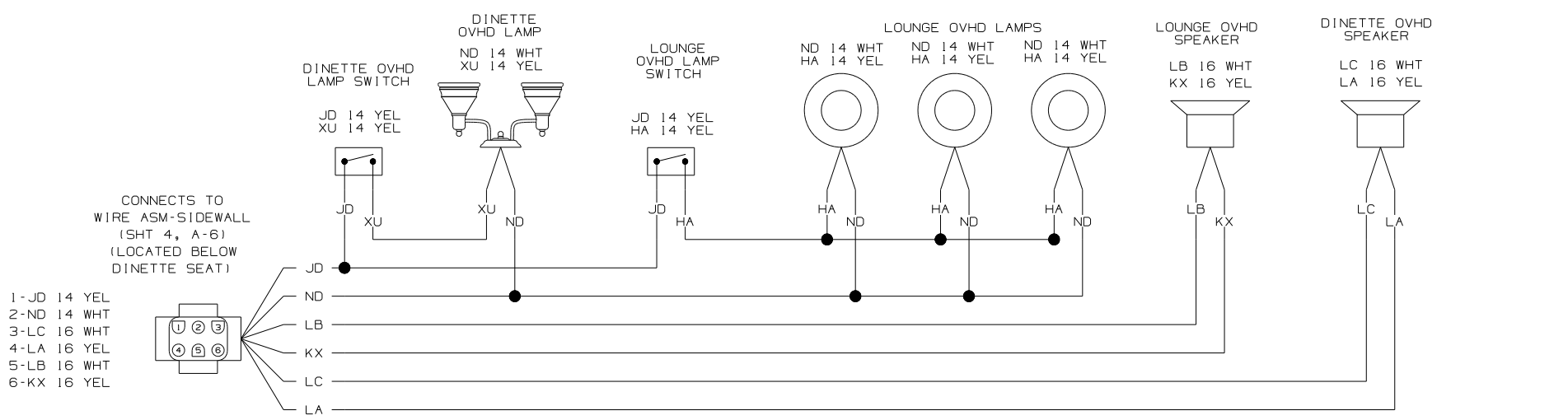
FIRST USED	06 331C&T
TITLE	DO NOT SCALE DRAWING
	WIRING DIAGRAM-BODY, 12V
SHEET 4	PART NO 152792



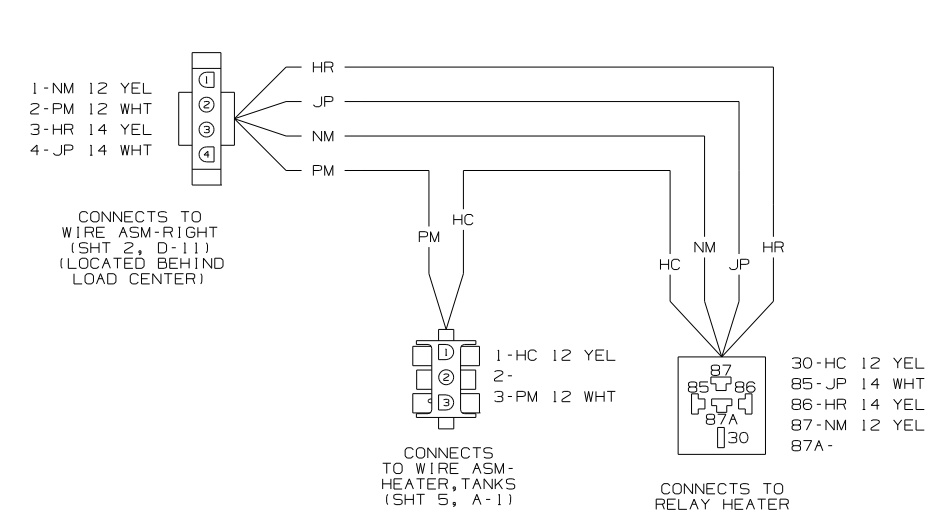
WIRING DIAGRAM-ROOF, CENTER
(WIRE ASM 77093-16 REV-AG)
(331T ONLY)



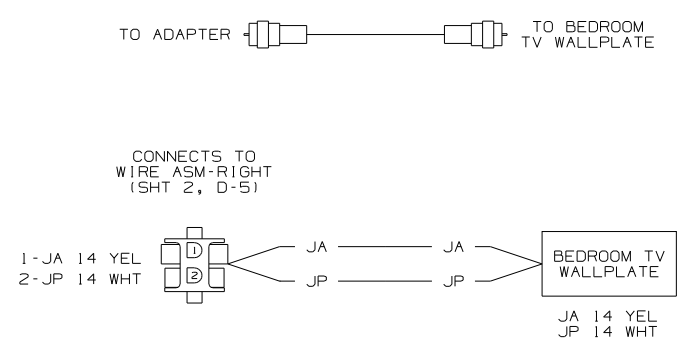
WIRING DIAGRAM-ENTERTAINMENT CTR
(WIRE ASM 125853-04 REV-L)



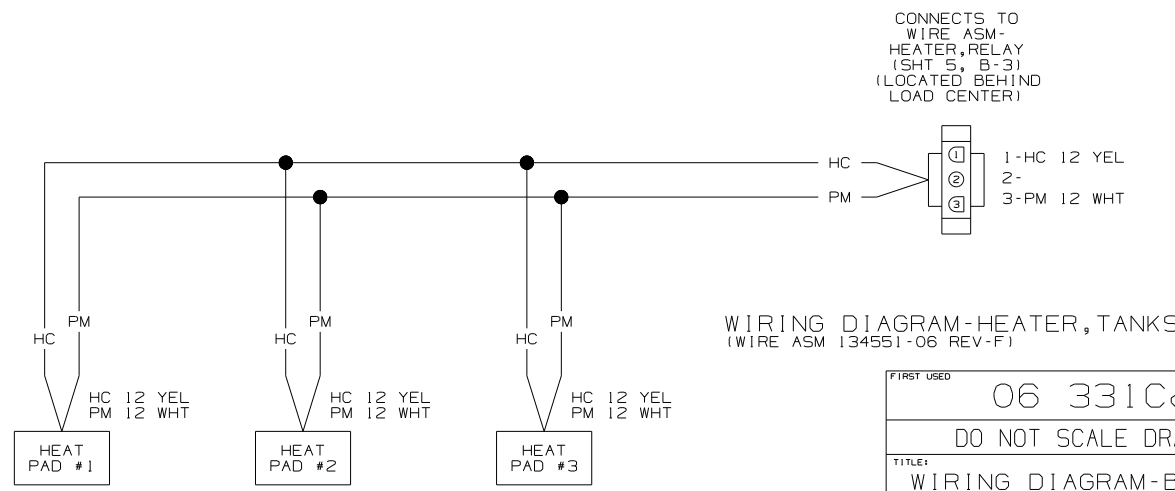
WIRING DIAGRAM-OVHD
(WIRE ASM 153432 REV-A)
(DELUXE FEATURE PKG)



WIRING DIAGRAM-HEATER, RELAY
(WIRE ASM 153891 REV-A)

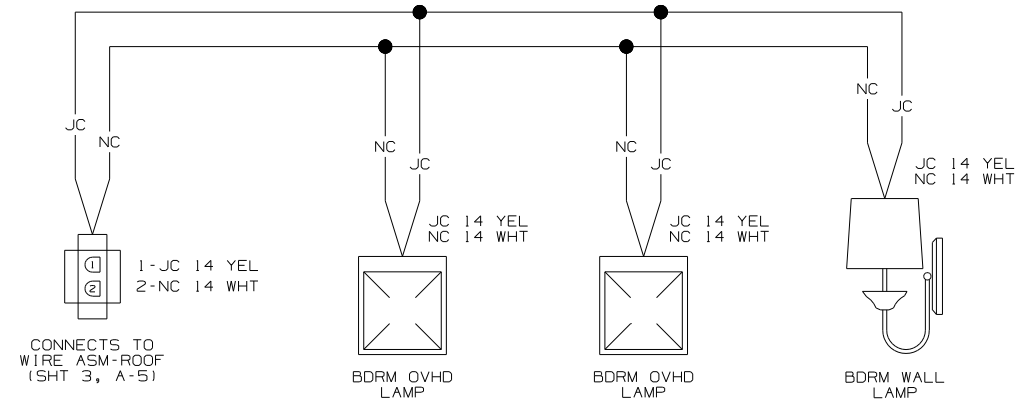


WIRING DIAGRAM-SIDEWALL
(WIRE ASM 111451-04 REV-N)
(USED WITH 331T BED QUEEN SIDEWALL)
(WIRE ASM 111451-08 REV-N)
(USED WITH 331C/T TWIN BED)
(WIRE ASM 111451-09 REV-N)
(USED WITH 331C BED QUEEN BACKWALL)

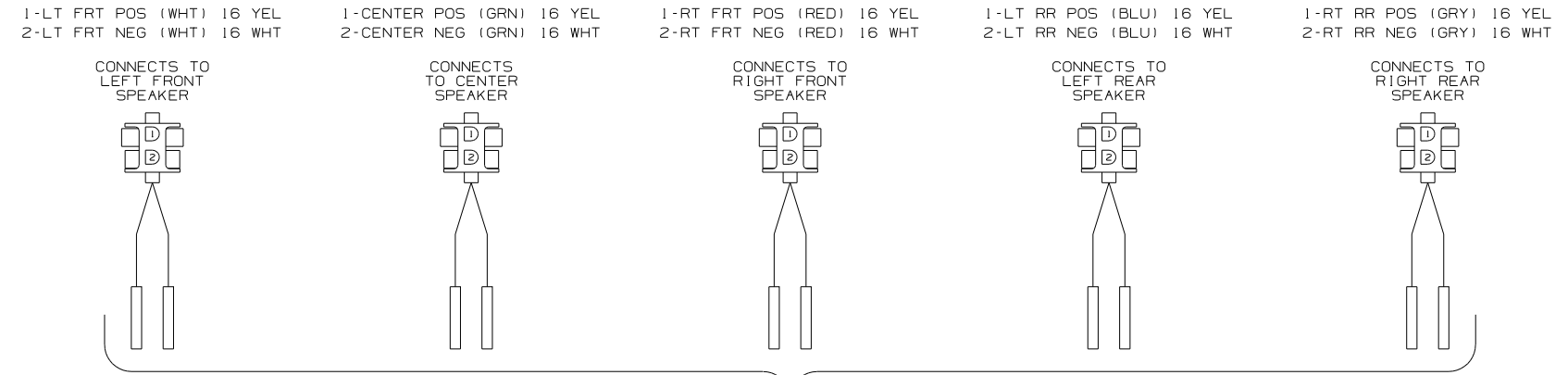


WIRING DIAGRAM-HEATER, TANKS
(WIRE ASM 134551-06 REV-F)

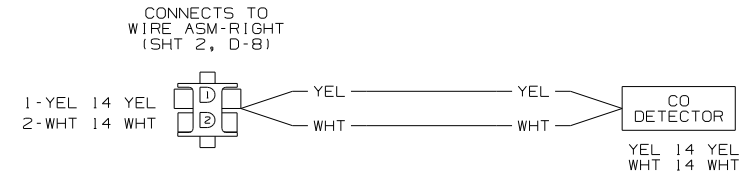
FIRST USED	06 331C&T
TITLE	DO NOT SCALE DRAWING
WIRING DIAGRAM-BODY, 12V	
SHEET 5	PART NO 152792



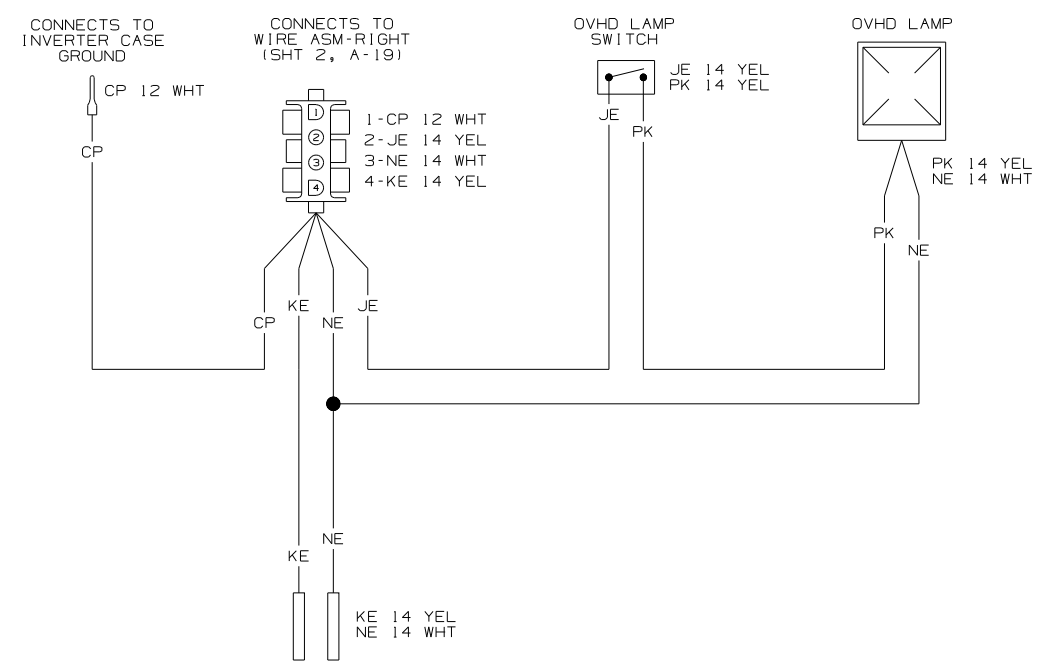
WIRING DIAGRAM-OVHD, REAR
(WIRE ASM 127873-03 REV-E)
(331C ONLY)



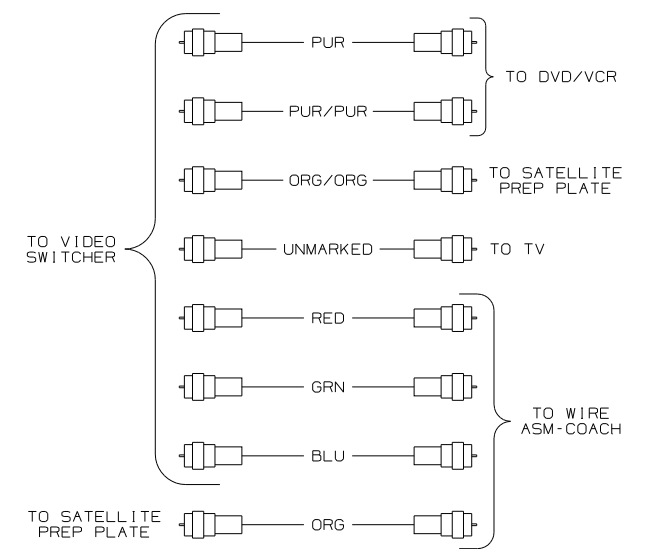
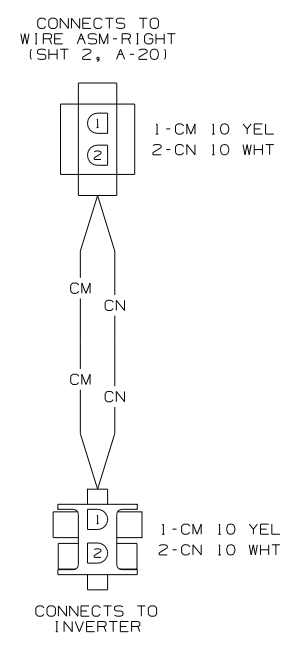
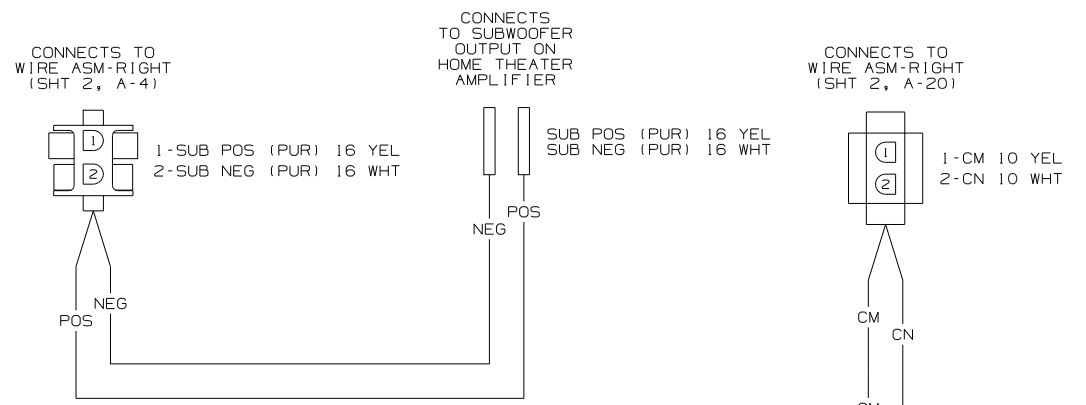
WIRING DIAGRAM-HOME THEATER EXTENSION
(WIRE ASM 148883-03 REV-H)



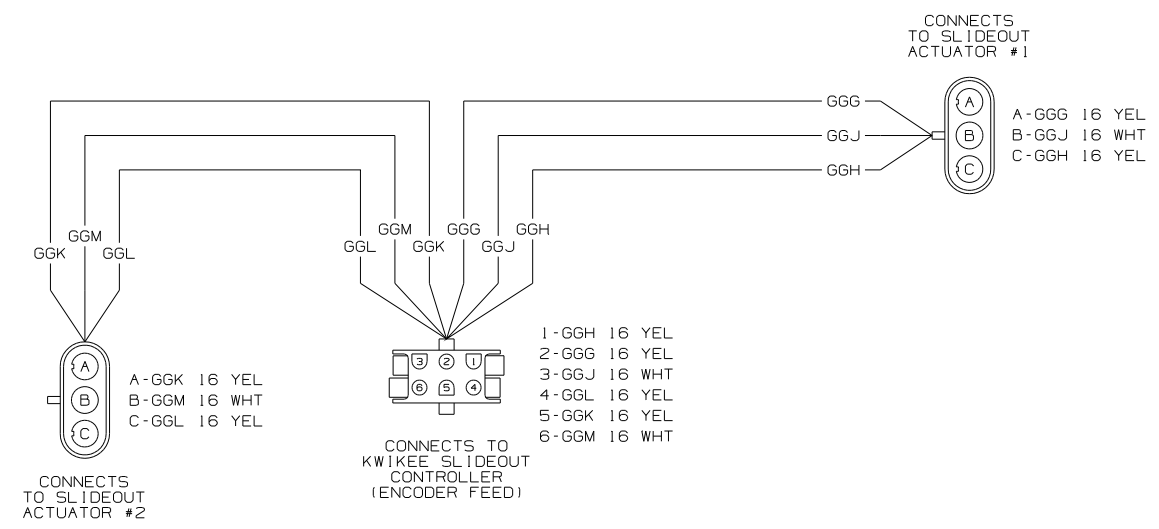
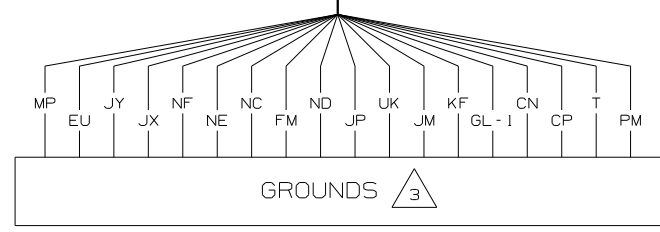
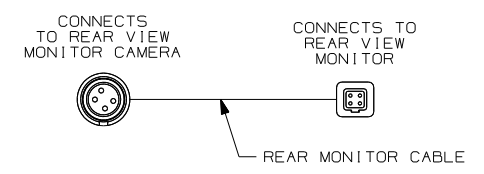
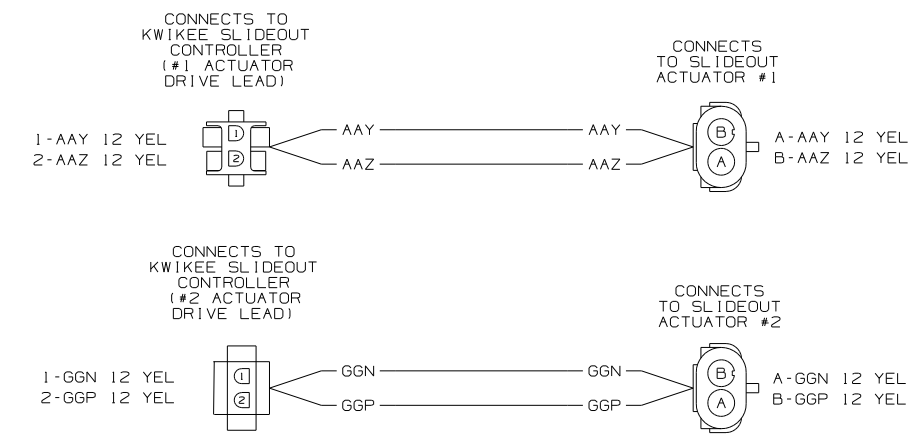
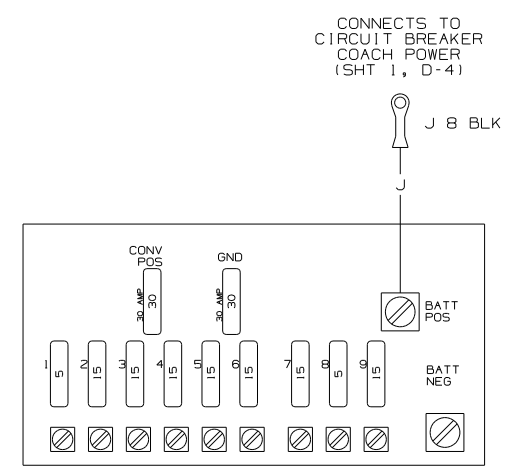
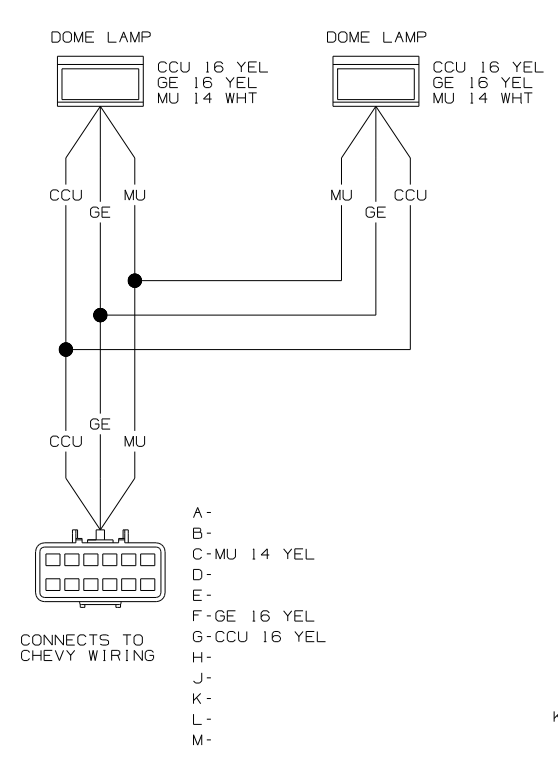
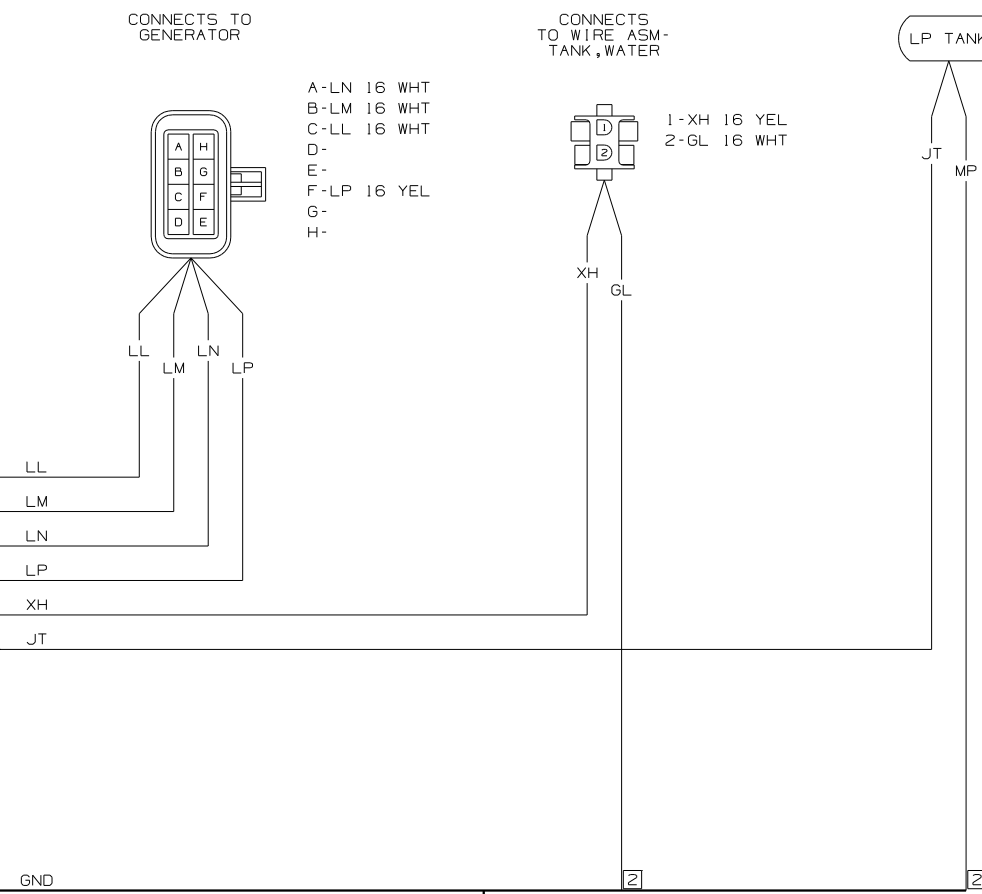
WIRING DIAGRAM-EXTENSION, 2 PIN
(WIRE ASM 149130 REV-B)



WIRING DIAGRAM-TV, FRONT
(WIRE ASM 148752-01 REV-E)



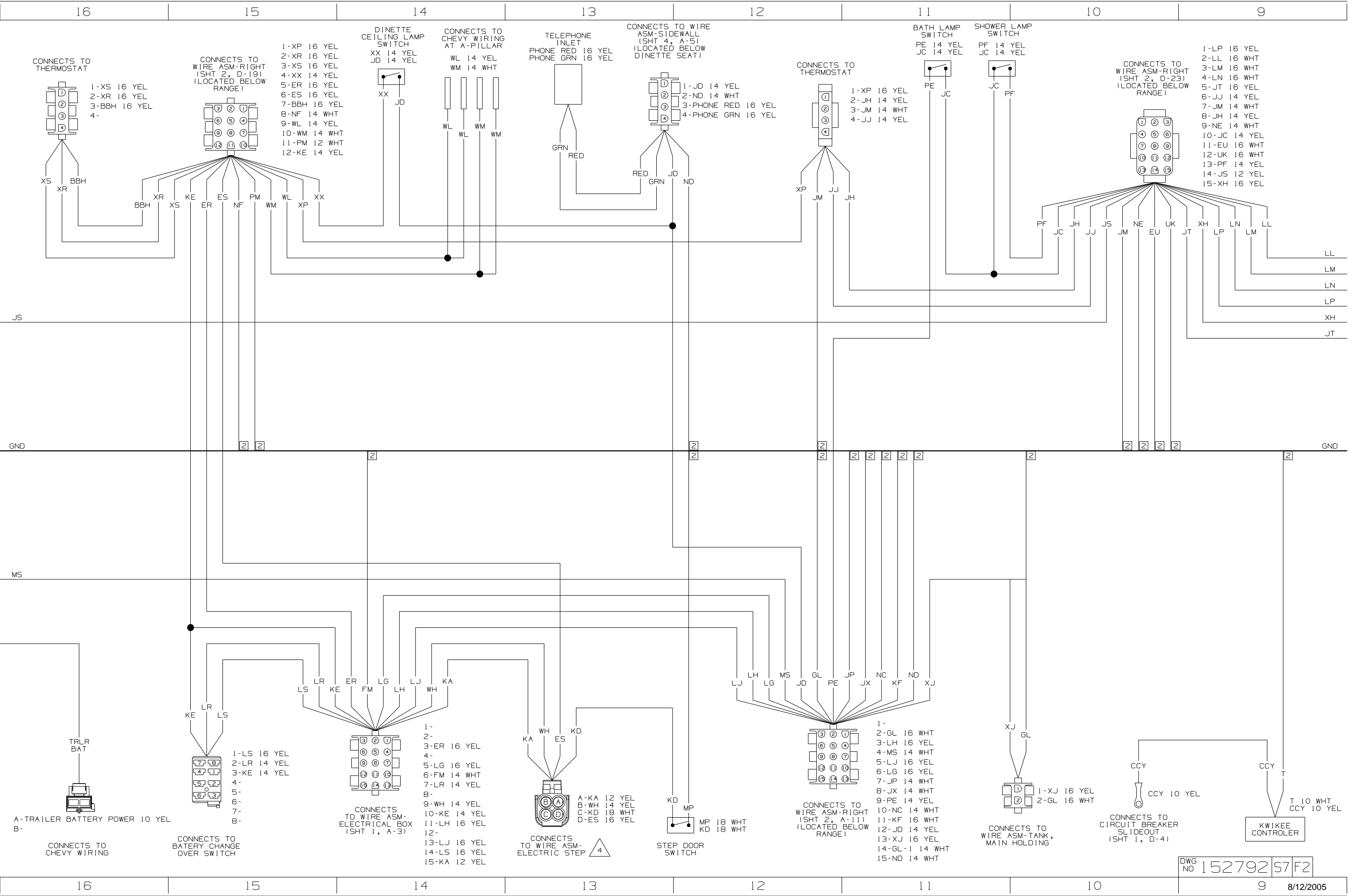
FIRST USED	06 331C&T
TITLE	DO NOT SCALE DRAWING
TITLE	WIRING DIAGRAM-BODY, 12V
SHEET 6	PART NO 152792

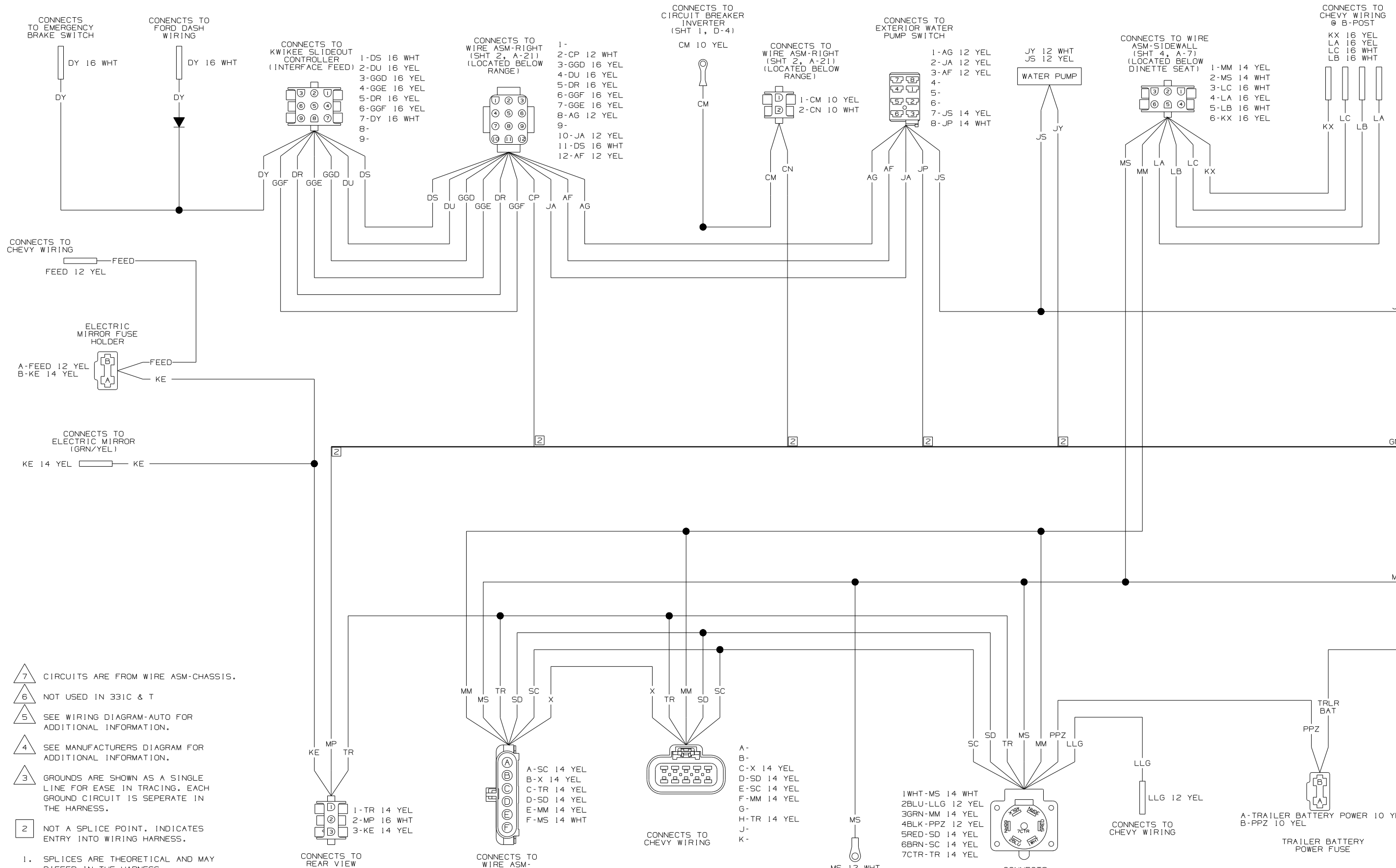


- | | | | |
|-----------|-----------|-----------|-------------|
| NF 14 WHT | PM 12 WHT | NE 14 WHT | GL-1 14 WHT |
| JP 14 WHT | MP 16 WHT | NC 14 WHT | CN 10 WHT |
| UK 16 WHT | EU 16 WHT | FM 14 WHT | CP 12 WHT |
| JM 14 WHT | JY 12 WHT | ND 14 WHT | T 10 WHT |
| KF 16 WHT | JX 14 WHT | | |

WIRING DIAGRAM-CHASSIS,GM (WIRE ASM 155660 REV-H)

FIRST USED	06 331C&T	
TITLE	DO NOT SCALE DRAWING	
	WIRING DIAGRAM-BODY, 12V	
F1 SHEET 7	PART NO	152792





- 7 CIRCUITS ARE FROM WIRE ASM-CHASSIS.
 - 6 NOT USED IN 331C & T
 - 5 SEE WIRING DIAGRAM-AUTO FOR ADDITIONAL INFORMATION.
 - 4 SEE MANUFACTURERS DIAGRAM FOR ADDITIONAL INFORMATION.
 - 3 GROUNDS ARE SHOWN AS A SINGLE LINE FOR EASE IN TRACING. EACH GROUND CIRCUIT IS SEPERATE IN THE HARNESS.
 - 2 NOT A SPLICE POINT. INDICATES ENTRY INTO WIRING HARNESS.
- NOTES:
1. SPLICES ARE THEORETICAL AND MAY DIFFER IN THE HARNESS.