



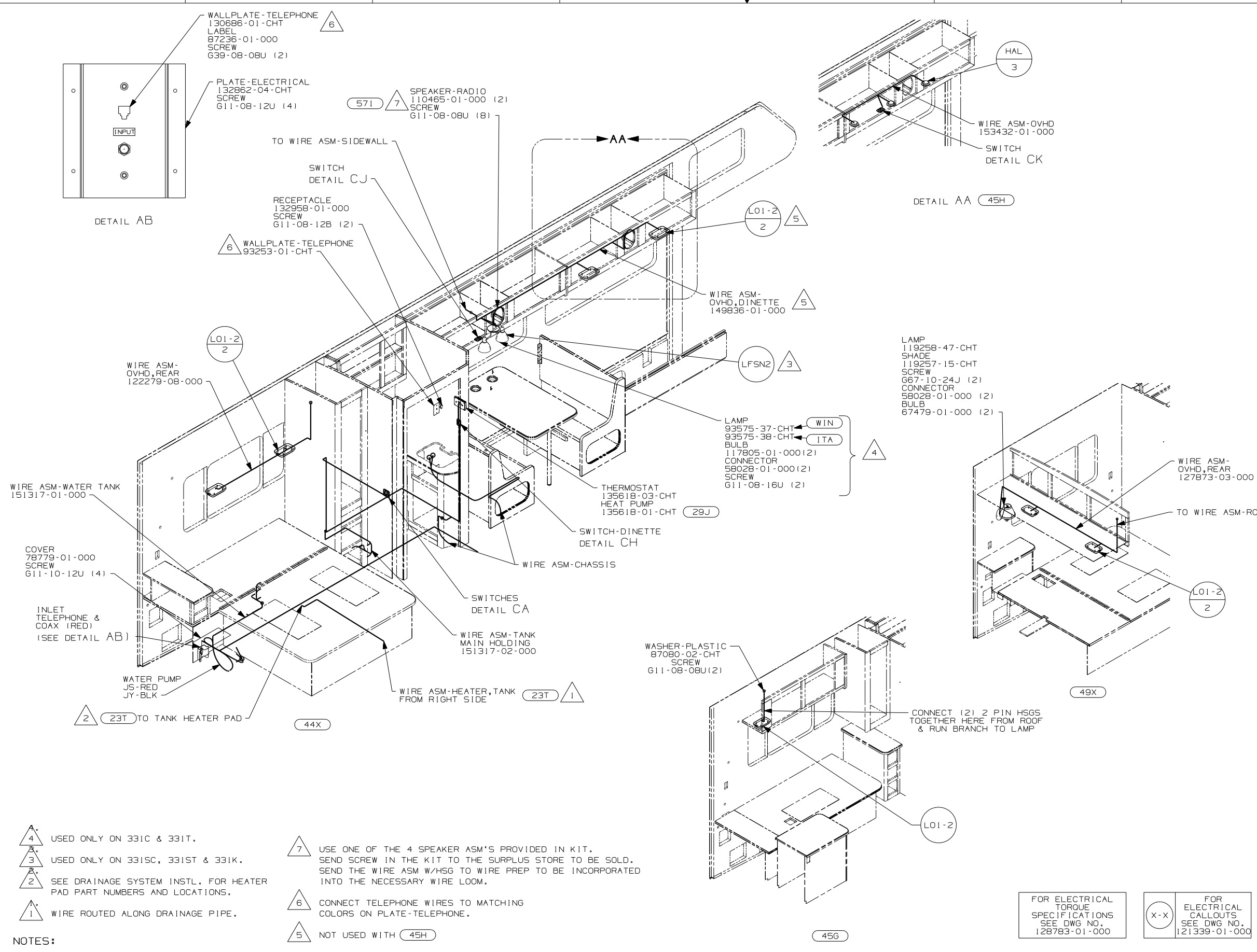
**DANGER**

**Danger of electrical shock, burns or death.** Always remove all power sources before attempting any repair, service or diagnostic work. Power can be present from shore power, generator, inverter or battery. All power sources must be disabled and secured before performing any service.



**CAUTION**

If you lack the skills, tools or equipment to perform diagnostic or repair work leave such work to an authorized Winnebago Industries dealer or other qualified shop.



LAMP  
119258-47-CHT  
SHADE  
119257-15-CHT  
SCREW  
667-10-24J (2)  
CONNECTOR  
58028-01-000 (2)  
BULB  
67479-01-000 (2)

LAMP  
93575-37-CHT  
93575-38-CHT  
BULB  
117805-01-000 (2)  
CONNECTOR  
58028-01-000 (2)  
SCREW  
611-08-16U (2)

WASHER-PLASTIC  
87080-02-CHT  
SCREW  
611-08-08U (2)

WIRE ASM-WATER TANK  
151317-01-000

COVER  
78779-01-000  
SCREW  
611-10-12U (4)

WATER PUMP  
JS-RED  
JY-BLK

NOTES:  
4 USED ONLY ON 331C & 331T.  
3 USED ONLY ON 331SC, 331ST & 331K.  
2 SEE DRAINAGE SYSTEM INSTL. FOR HEATER PAD PART NUMBERS AND LOCATIONS.  
1 WIRE ROUTED ALONG DRAINAGE PIPE.

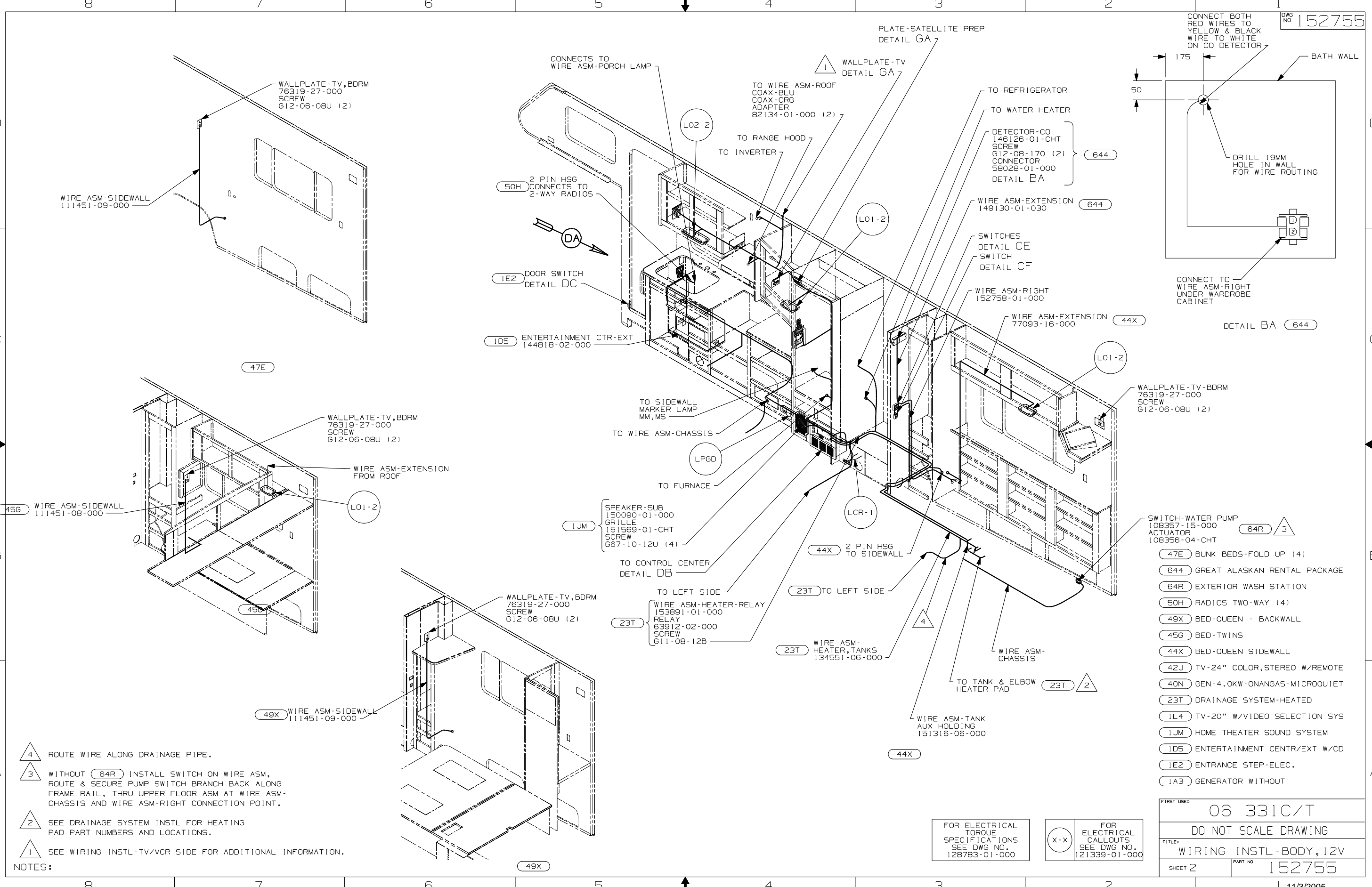
7 USE ONE OF THE 4 SPEAKER ASM'S PROVIDED IN KIT. SEND SCREW IN THE KIT TO THE SURPLUS STORE TO BE SOLD. SEND THE WIRE ASM W/HSG TO WIRE PREP TO BE INCORPORATED INTO THE NECESSARY WIRE LOOM.  
6 CONNECT TELEPHONE WIRES TO MATCHING COLORS ON PLATE-TELEPHONE.  
5 NOT USED WITH 45H

- 571 RADIO SPEAKERS
- 49X BED-QUEEN - BACKWALL
- 45H DELUXE FEATURE PACKAGE
- 45G BED-TWINS
- 44X BED-QUEEN SIDEWALL
- 29J AC HEAT PUMP-1
- 23T DRAINAGE SYSTEM-HEATED
- ITA ITASCA ONLY
- WIN WINNEBAGO ONLY

		COPYRIGHT 2004 WINNEBAGO INDUSTRIES, INC.	
DFTR	ORIG. DATE		
CHKR		ALL DIMENSIONS ARE IN MILLIMETERS	
P.E.			
M.E.	FIRST USED	06 331C/T	
DSNR			
UNSPECIFIED TOLERANCES ARE:		MATERIAL:	
WHOLE DIM (X)	: 1		
ONE-PLACE (X.X)	: 1.5		
TWO-PLACE (X.XX)	: 0.50		
ANGLE	: 1°		
THIRD ANGLE PROJECTION			
DO NOT SCALE DRAWING			
TITLE: WIRING INSTL-BODY, 12V			
SHEET 1 OF 7	PART NO	152755	
REF:		1 11/3/2005	

FOR ELECTRICAL TORQUE SPECIFICATIONS SEE DWG NO. 128783-01-000

FOR ELECTRICAL CALLOUTS SEE DWG NO. 121339-01-000

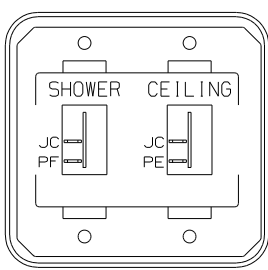


- NOTES:
- △ 4 ROUTE WIRE ALONG DRAINAGE PIPE.
  - △ 3 WITHOUT (64R) INSTALL SWITCH ON WIRE ASM, ROUTE & SECURE PUMP SWITCH BRANCH BACK ALONG FRAME RAIL, THRU UPPER FLOOR ASM AT WIRE ASM-CHASSIS AND WIRE ASM-RIGHT CONNECTION POINT.
  - △ 2 SEE DRAINAGE SYSTEM INSTL FOR HEATING PAD PART NUMBERS AND LOCATIONS.
  - △ 1 SEE WIRING INSTL-TV/VCR SIDE FOR ADDITIONAL INFORMATION.

FOR ELECTRICAL TORQUE SPECIFICATIONS SEE DWG NO. 128783-01-000

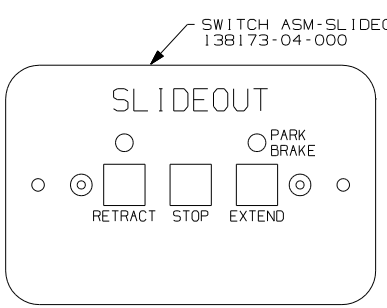
FOR ELECTRICAL CALLOUTS SEE DWG NO. 121339-01-000

FIRST USED	
06 331C/T	
DO NOT SCALE DRAWING	
TITLE: WIRING INSTL-BODY, 12V	
SHEET 2	PART NO 152755



SWITCH-ROCKER  
135740-01-CHT (2)  
SWITCH-BASE  
135741-02-CHT  
SWITCH-BEZEL  
135742-15-CHT  
SCREW  
G11-08-08U (4)

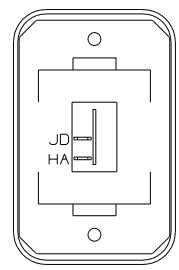
DETAIL CA



SWITCH ASM-SLIDEOUT  
138173-04-000

**WARNING** UNDERSTAND OPERATOR'S MANUAL BEFORE USING  
KEEP PEOPLE AND OBSTRUCTIONS CLEAR OF  
SLIDEOUT ROOM WHEN OPERATING TO AVOID  
INJURY AND/OR PROPERTY DAMAGE

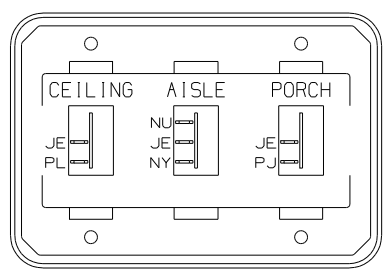
DETAIL CD



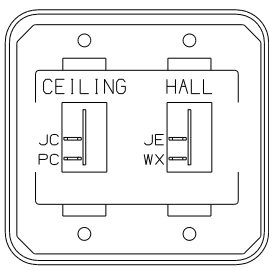
SWITCH-ROCKER  
135740-01-CHT  
SWITCH-BASE  
135741-01-CHT  
SWITCH-BEZEL  
135742-01-CHT  
SCREW  
G11-08-08U (2)

DETAIL CK

45H

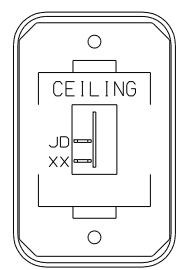


SWITCH-ROCKER  
135740-01-CHT (2)  
135740-02-CHT  
SWITCH-BASE  
135741-03-CHT  
SWITCH-BEZEL  
135742-26-CHT  
SCREW  
G11-08-08U (4)



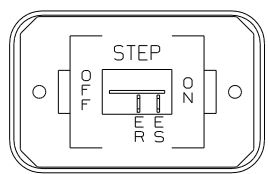
SWITCH-ROCKER  
135740-01-CHT (2)  
SWITCH-BASE  
135741-02-CHT  
SWITCH-BEZEL  
135742-16-CHT  
SCREW  
G11-08-08U (4)

DETAIL CE



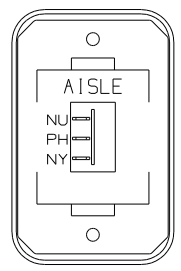
SWITCH-ROCKER  
135740-01-CHT  
SWITCH-BASE  
135741-01-CHT  
SWITCH-BEZEL  
135742-07-CHT  
SCREW  
G11-08-08U (2)

DETAIL CH



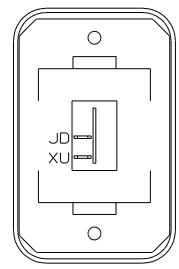
SWITCH-ROCKER  
135740-01-CHT  
SWITCH-BASE  
135741-01-CHT  
SWITCH-BEZEL  
135742-11-CHT  
SCREW  
G11-08-08U (2)

DETAIL CB



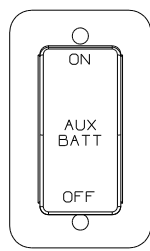
SWITCH-ROCKER  
135740-01-CHT  
SWITCH-BASE  
135741-01-CHT  
SWITCH-BEZEL  
135742-06-CHT  
SCREW  
G11-08-08U (2)

DETAIL CF

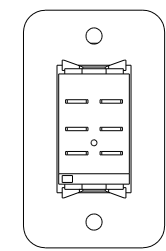


SWITCH-ROCKER  
135740-01-CHT  
SWITCH-BASE  
135741-01-CHT  
SWITCH-BEZEL  
135742-01-CHT  
SCREW  
G11-08-08U (2)

DETAIL CJ

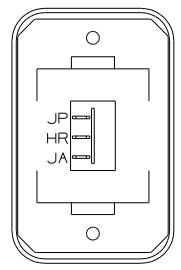


DETAIL CC (FRONT SIDE)



DETAIL CC (BACK SIDE)

SWITCH-BATTERY, DISC  
108357-06-000  
ACTUATOR-SWITCH  
108356-11-CHT  
PLATE-SWITCH  
98351-07-CHT  
SCREW  
G11-06-10U (2)



SWITCH-ROCKER  
135740-06-CHT  
SWITCH-BASE  
135741-01-CHT  
SWITCH-BEZEL  
135742-01-CHT  
SCREW  
G11-08-08U (2)

DETAIL CG

23T

- 45H DELUXE FEATURE PACKAGE
- 23T DRAINAGE SYSTEM-HEATED
- 1E2 ENTRANCE STEP-ELEC.

FOR ELECTRICAL TORQUE SPECIFICATIONS SEE DWG NO. 128783-01-000

X-X FOR ELECTRICAL CALLOUTS SEE DWG NO. 121339-01-000

FIRST USED	06 331C/T
TITLE	DO NOT SCALE DRAWING
TITLE	WIRING INSTL-BODY, 12V
SHEET 3	PART NO 152755

NOTES:

SWITCH-SLIDEOUT LOCK  
WIRE ASM-JUMPER  
150750-01-000  
DETAIL DD

SWITCH  
DETAIL CD

SWITCH  
DETAIL CG

MONITOR PANEL  
134940-06-CHT  
134940-07-CHT  
40N  
1A3

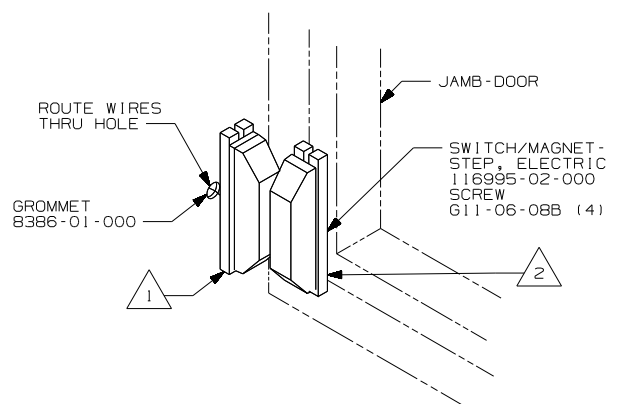
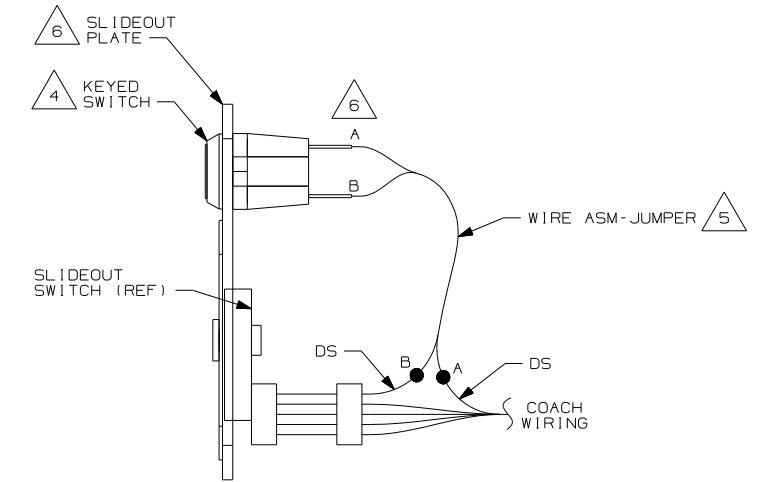
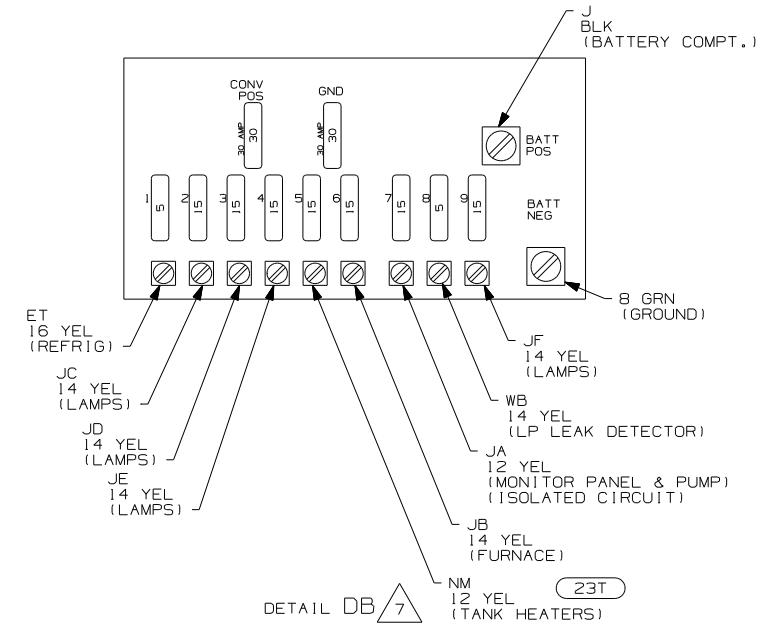
SWITCHES  
DETAIL CB

RADIOS-TWO WAY  
DOCK STATION  
141679-03-000  
RADIOS-TWO WAY  
141679-05-000 (4)  
SCREW  
76790-01-000 (4)

SWITCH  
DETAIL CC

LCR-1

VIEW DA



- NOTES:
- 7 FOR REFERENCE ONLY. SEE LOAD CENTER/ATS ASM FOR ADDITIONAL INFORMATION.
  - 6 REMOVE TERMINALS (SUPPLIED WITH KEY SWITCH), CRIMP ON TO WIRE ASM-JUMPER, AND RECONNECT TO KEY SWITCH.
  - 5 CUT CIRCUIT DS GOING TO SLIDEOUT SWITCH HOUSING AND RECONNECT AS SHOWN.
  - 4 SUPPLIED BY GREAT ALASKAN RENTAL COMPANY.
  - 3 SEE WIRING INSTL-BODY, 110V FOR ADDITIONAL INFORMATION.
  - 2 MOUNT MAGNET USING PILOT HOLES IN SCREEN DOOR FRAME MOUNT WITH MAGNET TOWARD SWITCH.
  - 1 MOUNT SWITCH AND SPACER TO BLOCK ON JAMB ADJUST HEIGHT TO MATCH MAGNET

- 644 GREAT ALASKAN RENTAL PACKAGE
- 50H RADIOS TWO-WAY (4)
- 40N GEN-4.0KW-ONANGAS-MICROQUIET
- 23T DRAINAGE SYSTEM-HEATED
- 1E2 ENTRANCE STEP-ELEC.
- 1A3 GENERATOR WITHOUT
- 09L SLIDEOUT ROOM FRONT LEFT

FOR ELECTRICAL TORQUE SPECIFICATIONS SEE DWG NO. 128783-01-000

FOR ELECTRICAL CALLOUTS SEE DWG NO. 121339-01-000

FIRST USED	06 331C/T
DO NOT SCALE DRAWING	
TITLE	WIRING INSTL-BODY, 12V
SHEET 4	PART NO 152755

8

7

6

5

4

3

2

1

D

D

C

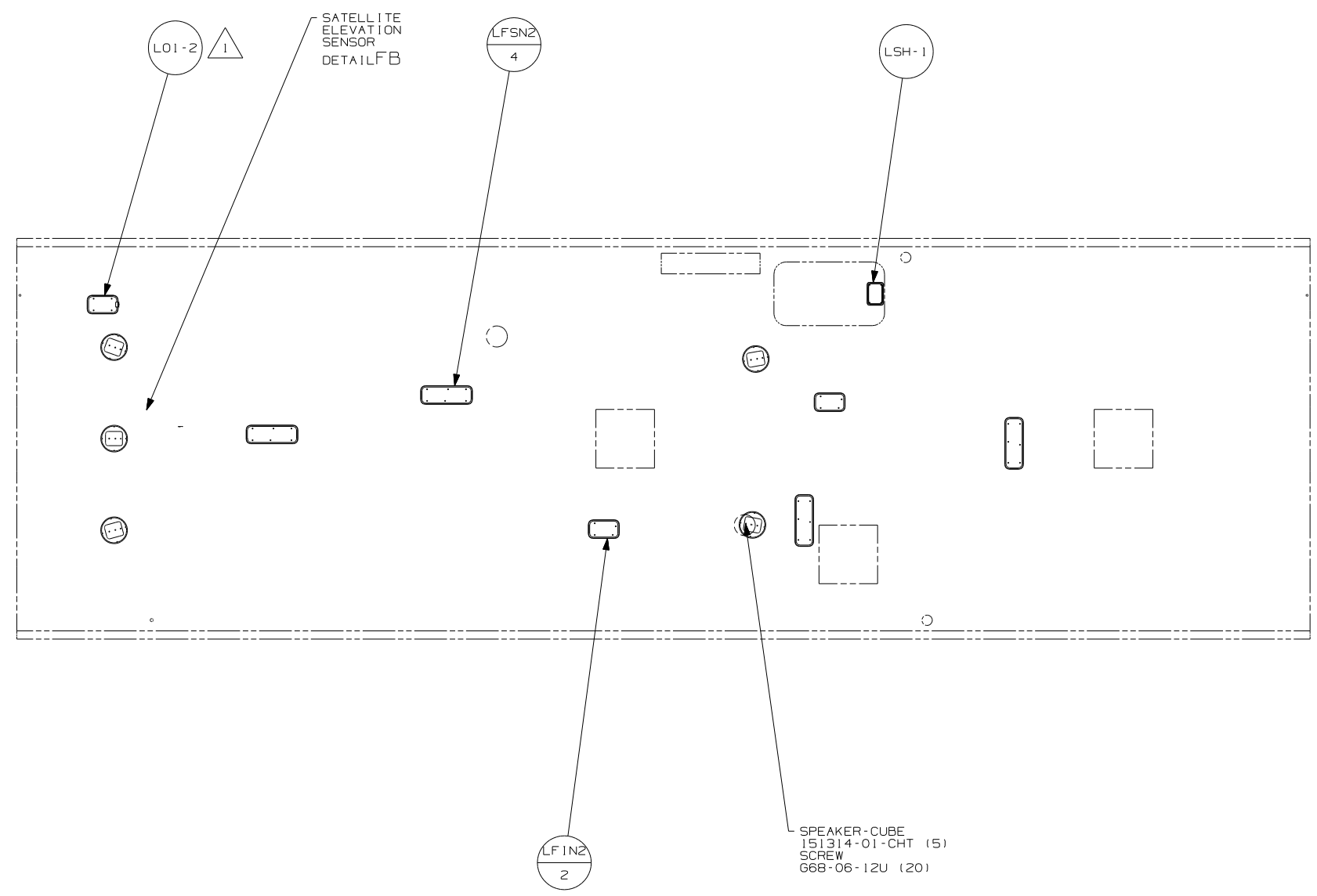
C

B

B

A

A



NOTES:

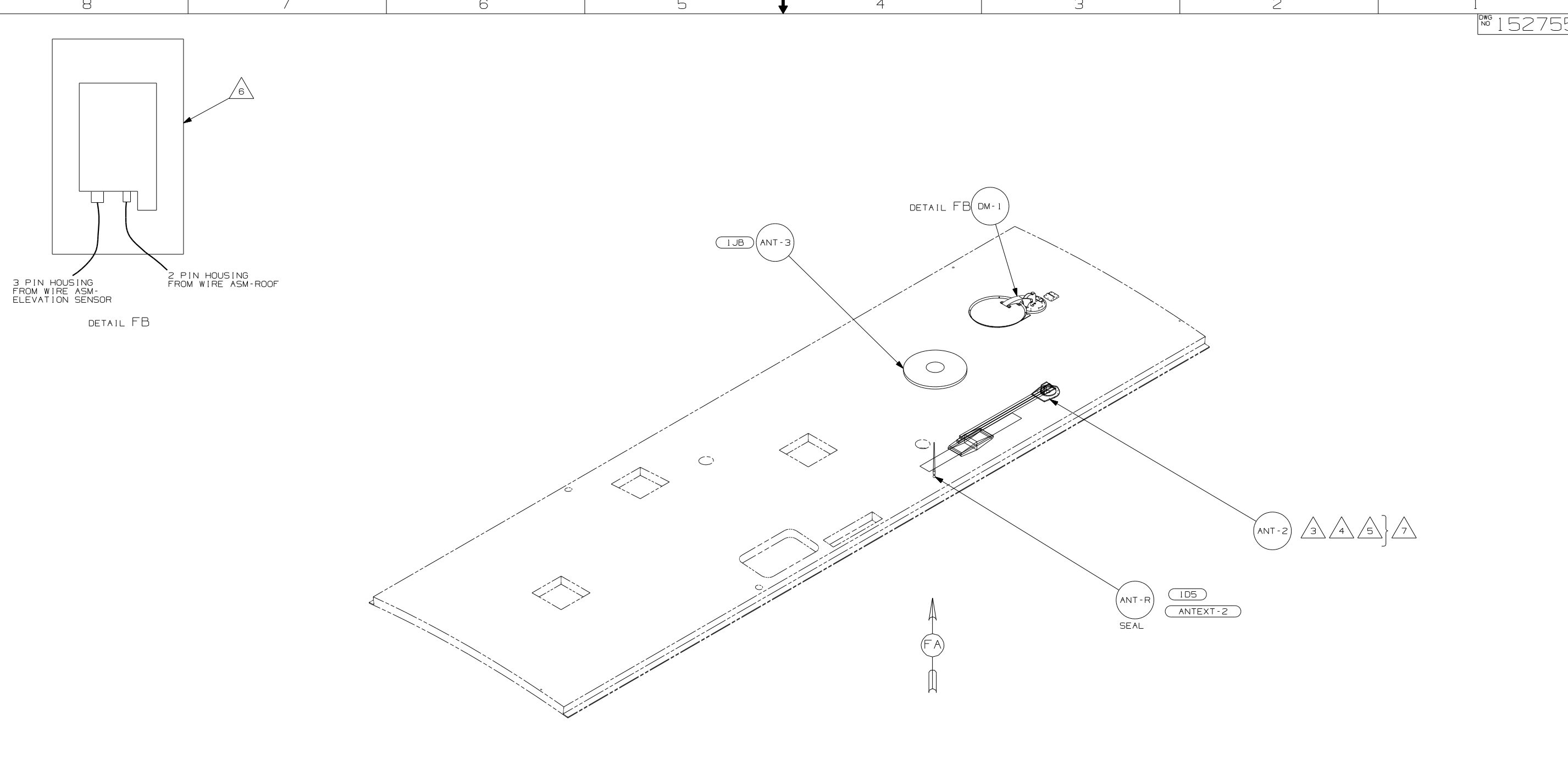
△ NOT USED WITH 42J

FOR ELECTRICAL TORQUE SPECIFICATIONS SEE DWG NO. 128783-01-000

FOR ELECTRICAL CALLOUTS SEE DWG NO. 121339-01-000

- 42J TV-24" COLOR, STEREO W/REMOTE
- 1JM HOME THEATER SOUND SYSTEM

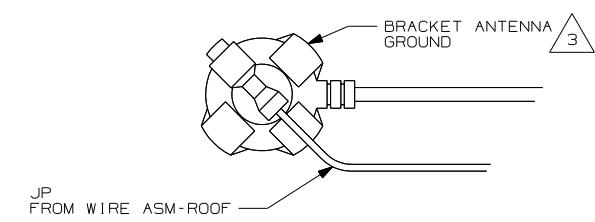
FIRST USED	06 331C/T
DO NOT SCALE DRAWING	
TITLE:	WIRING INSTL-BODY, 12V
SHEET 5	PART NO 152755



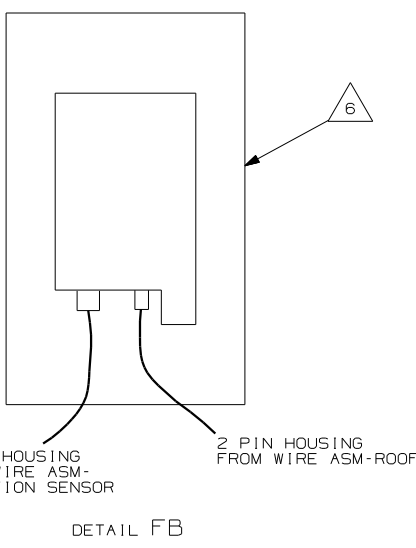
- 7 NOT USED WITH IJB
- 6 SENSOR SUPPLIED WITH SATELLITE ASSEMBLY.
- 5 ADD RUBBER BUMPER TO ROOF UNDER EACH END OF ANTENNA IN DOWN POSITION.
- 4 LOCATE CLAMP TO RETAIN CABLE BUT NOT TO RESTRICT ANTENNA TRAVEL.
- 3 SEE DRAWING 76319-01-000 FOR INSTALLATION OF TV ANTENNA.
- 2 WRAP BRACKET LEGS AROUND ANTENNA BASE.

1. CONNCTOR-PLUG, TRAILER 113589-01-000 TO BE SUPPLIE LOOSE IN THE COACH WITH TRAILER TOW PACKAGE.

NOTES:



DETAIL FA



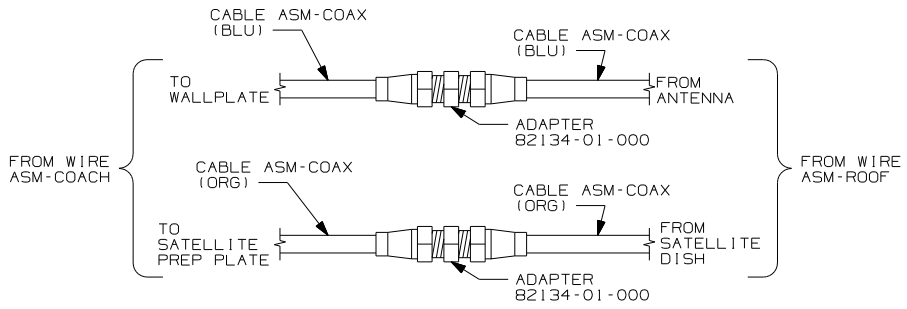
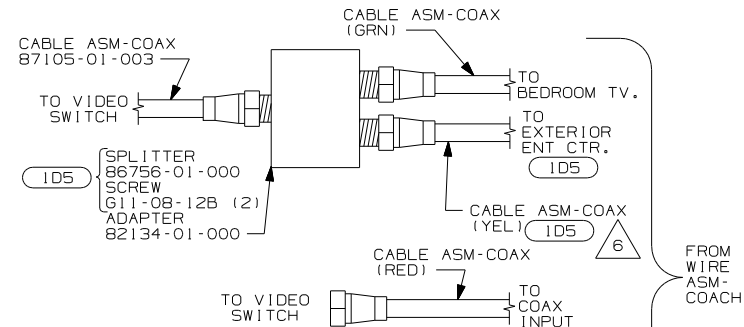
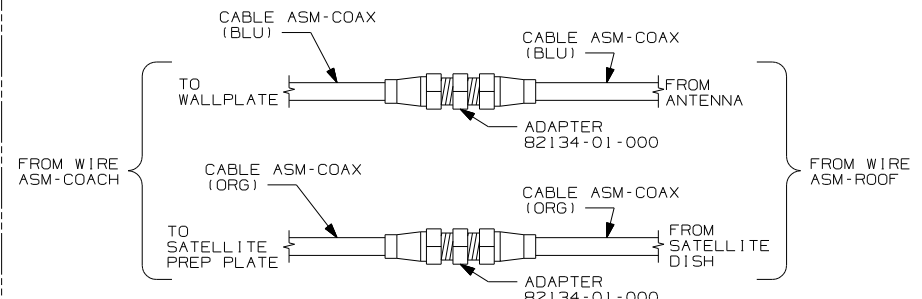
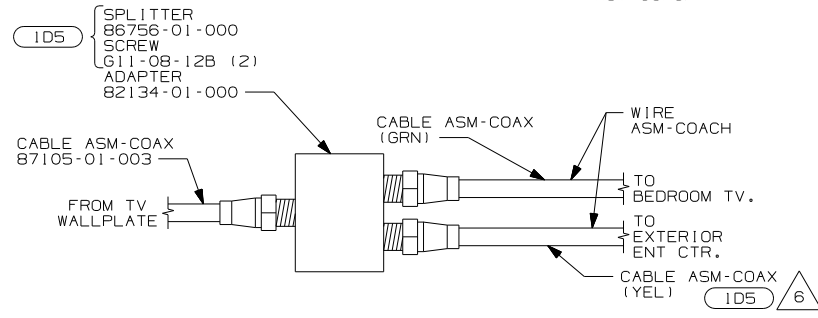
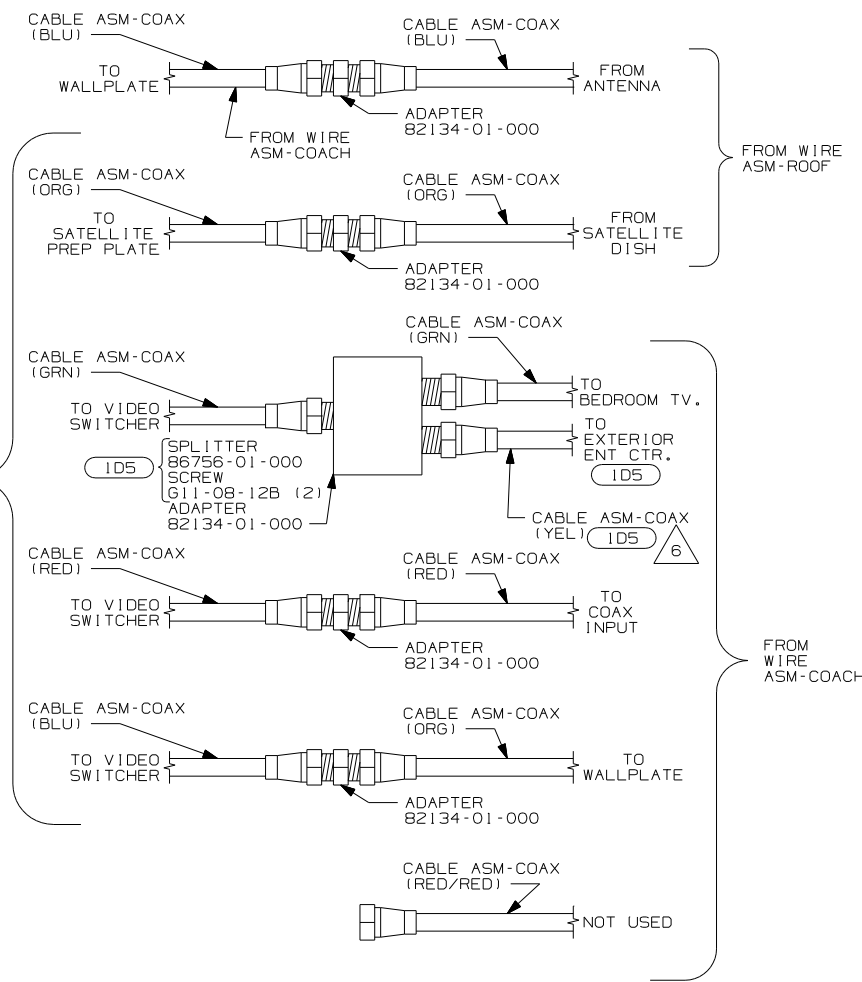
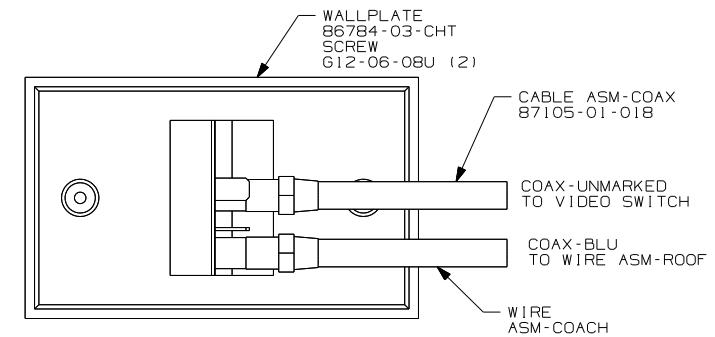
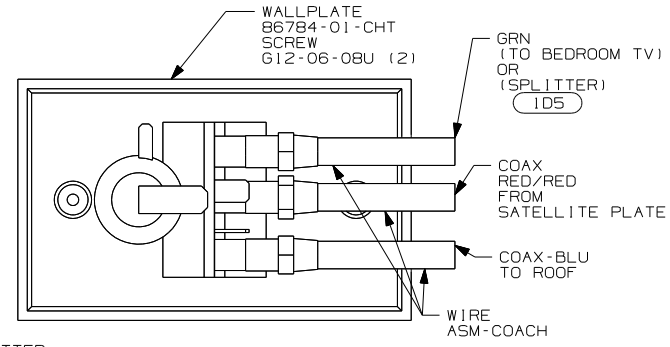
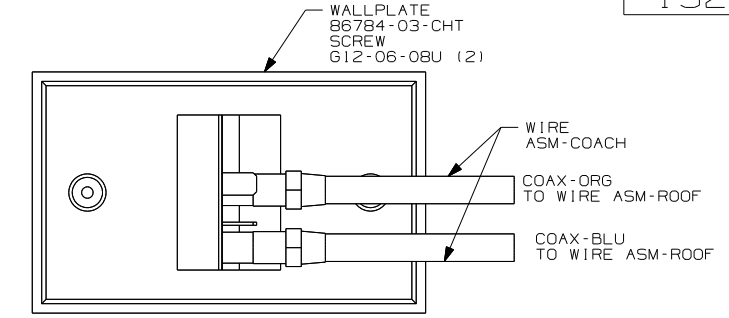
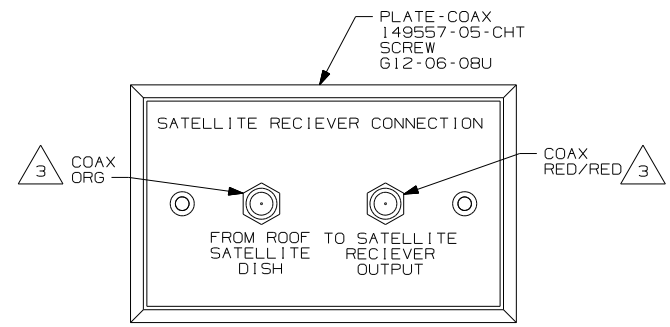
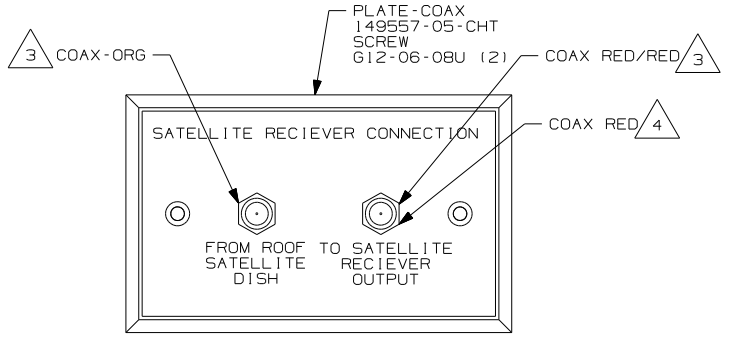
DETAIL FB DM-1

FOR ELECTRICAL TORQUE SPECIFICATIONS SEE DWG NO. 128783-01-000

FOR ELECTRICAL CALLOUTS SEE DWG NO. 121339-01-000

- 480 SATELLITE DISH & ELEV.SENSOR
- IJB TV ANTENNA-OMNIDIRECTIONAL
- ID5 ENTERTAINMENT CENTR/EXT W/CD

FIRST USED	06 331C/T
DO NOT SCALE DRAWING	
TITLE:	WIRING INSTL-BODY, 12V
SHEET 6	PART NO 152755



DETAIL GA 2

DETAIL GA 5

DETAIL GA 42J 1

- NOTES:
- 6 COAX NOT USED WITHOUT (ID5).
  - 5 WITH SIDE ENTERTAINMENT CENTER, SEE WIRING INSTL-TV/VCR, SIDE FOR ADDITIONAL INFORMATION.
  - 4 CONNECT COAX TO FRONT SIDE OF WALLPLATE.
  - 3 CONNECT COAX TO BACKSIDE OF WALLPLATE.
  - 2 WITHOUT (42J) OR (IL4).
  - 1 WITH FRONT ENTERTAINMENT CENTER, SEE WIRING INSTL-TV/VCR, FRONT FOR ADDITIONAL INFORMATION.

- (IL4) TV-20" W/VIDEO SELECTION SYS
- (42J) TV-24" COLOR, STEREO W/REMOTE
- (ID5) ENTERTAINMENT CENTER/EXT W/CD
- (265) CODES/STANDARDS-CSA/CMVSS
- (1B1) CODES/STANDARDS USA

FIRST USED	06 331C/T
TITLE	DO NOT SCALE DRAWING
TITLE	WIRING INSTL-BODY, 12V
SHEET 7	PART NO 152755