



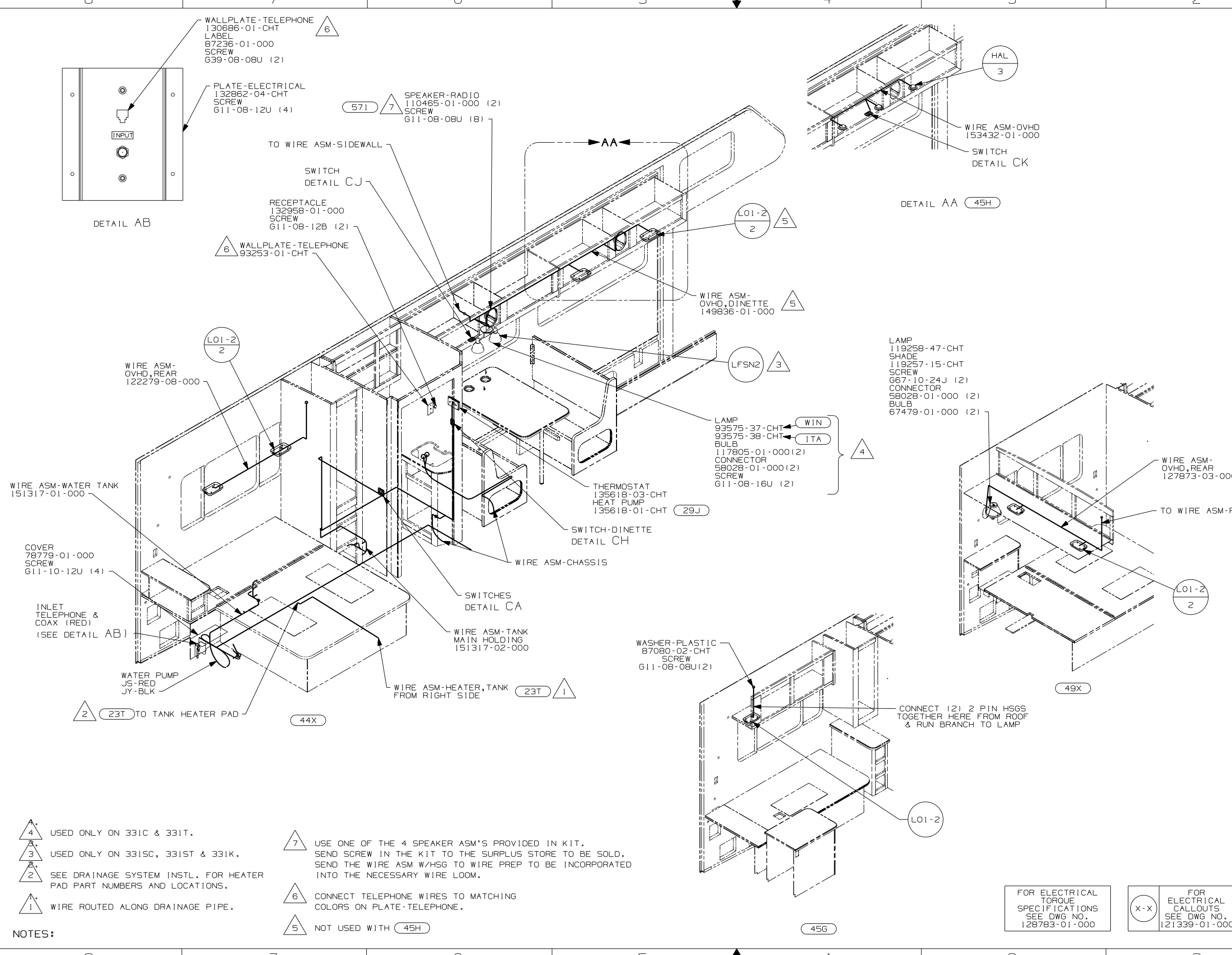
DANGER

Danger of electrical shock, burns or death. Always remove all power sources before attempting any repair, service or diagnostic work. Power can be present from shore power, generator, inverter or battery. All power sources must be disabled and secured before performing any service.



CAUTION

If you lack the skills, tools or equipment to perform diagnostic or repair work leave such work to an authorized Winnebago Industries dealer or other qualified shop.



- LAMP
 119258-47-CHT
 SHADE
 119257-15-CHT
 SCREW
 667-10-24J (2)
 CONNECTOR
 58028-01-000 (2)
 BULB
 67479-01-000 (2)

- LAMP
 93575-37-CHT
 93575-38-CHT
 BULB
 117805-01-000 (2)
 CONNECTOR
 58028-01-000 (2)
 SCREW
 611-08-16U (2)

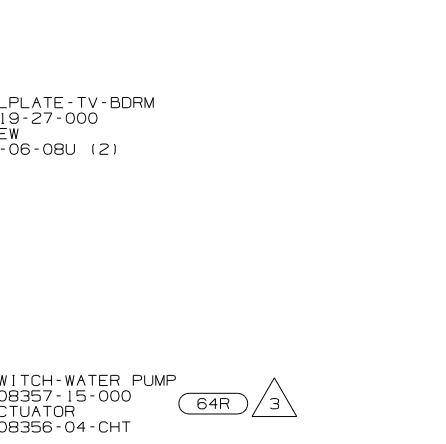
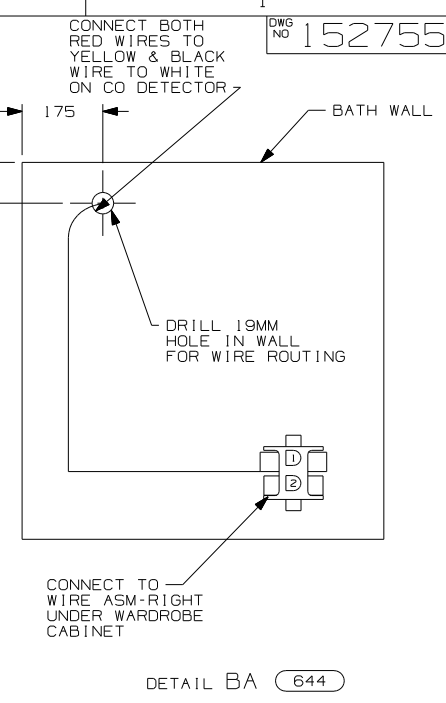
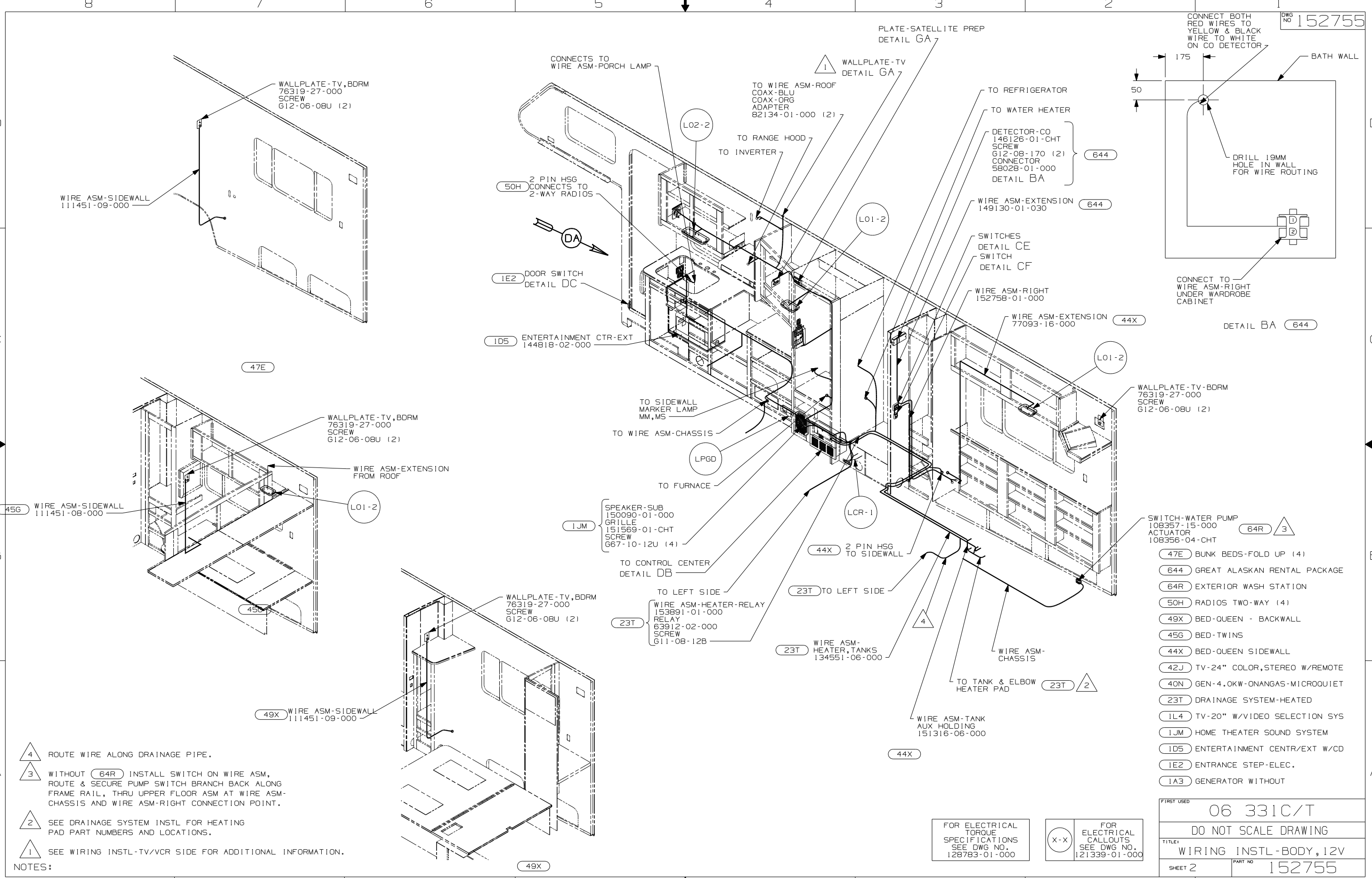
- (571) RADIO SPEAKERS
- (49X) BED-QUEEN - BACKWALL
- (45H) DELUXE FEATURE PACKAGE
- (45G) BED-TWINS
- (44X) BED-QUEEN SIDEWALL
- (29J) AC HEAT PUMP-1
- (23T) DRAINAGE SYSTEM-HEATED
- (1TA) ITASCA ONLY
- (WIN) WINNEBAGO ONLY

- NOTES:
- 4 USED ONLY ON 331C & 331T.
 - 3 USED ONLY ON 331SC, 331ST & 331K.
 - 2 SEE DRAINAGE SYSTEM INSTL. FOR HEATER PAD PART NUMBERS AND LOCATIONS.
 - 1 WIRE ROUTED ALONG DRAINAGE PIPE.
 - 7 USE ONE OF THE 4 SPEAKER ASM'S PROVIDED IN KIT. SEND SCREW IN THE KIT TO THE SURPLUS STORE TO BE SOLD. SEND THE WIRE ASM W/HSG TO WIRE PREP TO BE INCORPORATED INTO THE NECESSARY WIRE LOOM.
 - 6 CONNECT TELEPHONE WIRES TO MATCHING COLORS ON PLATE-TELEPHONE.
 - 5 NOT USED WITH (45H)

FOR ELECTRICAL TORQUE SPECIFICATIONS SEE DWG NO. 128783-01-000

FOR ELECTRICAL CALLOUTS SEE DWG NO. 121339-01-000

WINNEBAGO		COPYRIGHT 2004 WINNEBAGO INDUSTRIES, INC.	
DFTR	ORIG. DATE		
CHKR	ALL DIMENSIONS ARE IN MILLIMETERS		
P.E.	FIRST USED		
M.E.	06 331C/T		
DSNR			
UNSPECIFIED TOLERANCES ARE:		MATERIAL:	
WHOLE DIM (X)	: 1		
ONE-PLACE (X.X)	: 1.5		
TWO-PLACE (X.XX)	: 0.50		
ANGLE	: 1°		
THIRD ANGLE PROJECTION			
DO NOT SCALE DRAWING			
TITLE: WIRING INSTL-BODY, 12V			
SHEET 1 OF 7	PART NO	152755	
REF:		1 11/3/2005	



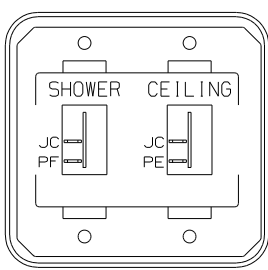
- (47E) BUNK BEDS-FOLD UP (4)
- (644) GREAT ALASKAN RENTAL PACKAGE
- (64R) EXTERIOR WASH STATION
- (50H) RADIOS TWO-WAY (4)
- (49X) BED-QUEEN - BACKWALL
- (45G) BED-TWINS
- (44X) BED-QUEEN SIDEWALL
- (42J) TV-24" COLOR, STEREO W/REMOTE
- (40N) GEN-4.0KW-ONANGAS-MICROQUIET
- (23T) DRAINAGE SYSTEM-HEATED
- (1L4) TV-20" W/VIDEO SELECTION SYS
- (1JM) HOME THEATER SOUND SYSTEM
- (1D5) ENTERTAINMENT CENTR/EXT W/CD
- (1E2) ENTRANCE STEP-ELEC.
- (1A3) GENERATOR WITHOUT

- NOTES:
- 4 ROUTE WIRE ALONG DRAINAGE PIPE.
 - 3 WITHOUT (64R) INSTALL SWITCH ON WIRE ASM, ROUTE & SECURE PUMP SWITCH BRANCH BACK ALONG FRAME RAIL, THRU UPPER FLOOR ASM AT WIRE ASM-CHASSIS AND WIRE ASM-RIGHT CONNECTION POINT.
 - 2 SEE DRAINAGE SYSTEM INSTL FOR HEATING PAD PART NUMBERS AND LOCATIONS.
 - 1 SEE WIRING INSTL-TV/VCR SIDE FOR ADDITIONAL INFORMATION.

FOR ELECTRICAL TORQUE SPECIFICATIONS SEE DWG NO. 128783-01-000

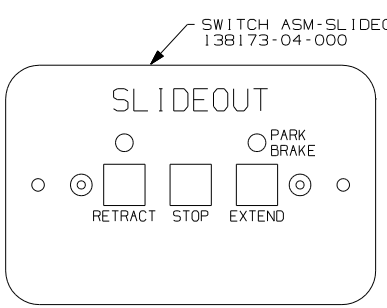
FOR ELECTRICAL CALLOUTS SEE DWG NO. 121339-01-000

FIRST USED	
06 331C/T	
DO NOT SCALE DRAWING	
TITLE: WIRING INSTL-BODY, 12V	
SHEET 2	PART NO 152755



DETAIL CA

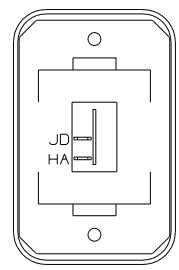
SWITCH-ROCKER
135740-01-CHT (2)
SWITCH-BASE
135741-02-CHT
SWITCH-BEZEL
135742-15-CHT
SCREW
611-08-08U (4)



DETAIL CD

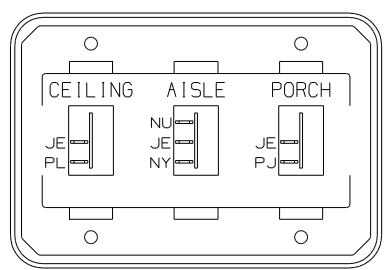
WARNING UNDERSTAND OPERATOR'S MANUAL BEFORE USING
KEEP PEOPLE AND OBSTRUCTIONS CLEAR OF
SLIDEOUT ROOM WHEN OPERATING TO AVOID
INJURY AND/OR PROPERTY DAMAGE

LABEL-WARNING
116549-01-000



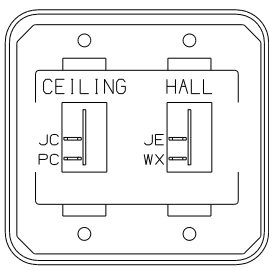
DETAIL CK

SWITCH-ROCKER
135740-01-CHT
SWITCH-BASE
135741-01-CHT
SWITCH-BEZEL
135742-01-CHT
SCREW
611-08-08U (2)



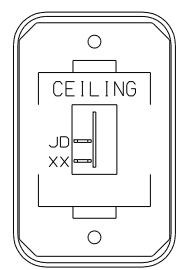
DETAIL CB

SWITCH-ROCKER
135740-01-CHT (2)
135740-02-CHT
SWITCH-BASE
135741-03-CHT
SWITCH-BEZEL
135742-26-CHT
SCREW
611-08-08U (4)



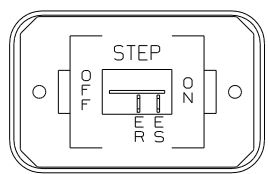
DETAIL CE

SWITCH-ROCKER
135740-01-CHT (2)
SWITCH-BASE
135741-02-CHT
SWITCH-BEZEL
135742-16-CHT
SCREW
611-08-08U (4)



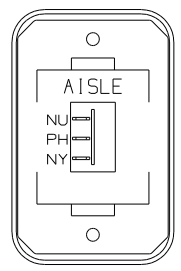
DETAIL CH

SWITCH-ROCKER
135740-01-CHT
SWITCH-BASE
135741-01-CHT
SWITCH-BEZEL
135742-07-CHT
SCREW
611-08-08U (2)



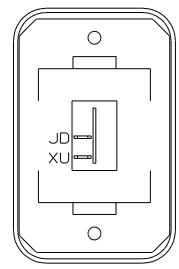
DETAIL CB

SWITCH-ROCKER
135740-01-CHT
SWITCH-BASE
135741-01-CHT
SWITCH-BEZEL
135742-11-CHT
SCREW
611-08-08U (2)



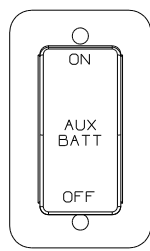
DETAIL CF

SWITCH-ROCKER
135740-01-CHT
SWITCH-BASE
135741-01-CHT
SWITCH-BEZEL
135742-06-CHT
SCREW
611-08-08U (2)

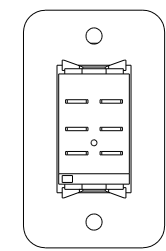


DETAIL CJ

SWITCH-ROCKER
135740-01-CHT
SWITCH-BASE
135741-01-CHT
SWITCH-BEZEL
135742-01-CHT
SCREW
611-08-08U (2)

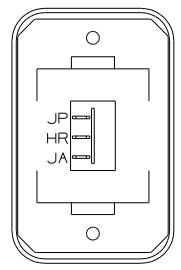


DETAIL CC (FRONT SIDE)



DETAIL CC (BACK SIDE)

SWITCH-BATTERY, DISC
108357-06-000
ACTUATOR-SWITCH
108356-11-CHT
PLATE-SWITCH
98351-07-CHT
SCREW
611-06-10U (2)



DETAIL CG

SWITCH-ROCKER
135740-06-CHT
SWITCH-BASE
135741-01-CHT
SWITCH-BEZEL
135742-01-CHT
SCREW
611-08-08U (2)

23T

- (45H) DELUXE FEATURE PACKAGE
- (23T) DRAINAGE SYSTEM-HEATED
- (1E2) ENTRANCE STEP-ELEC.

FOR ELECTRICAL TORQUE SPECIFICATIONS SEE DWG NO. 128783-01-000

(X-X) FOR ELECTRICAL CALLOUTS SEE DWG NO. 121339-01-000

FIRST USED	06 331C/T
TITLE	DO NOT SCALE DRAWING
	WIRING INSTL-BODY, 12V
SHEET 3	PART NO 152755

NOTES:

SWITCH-SLIDEOUT LOCK
WIRE ASM-JUMPER
150750-01-000
DETAIL DD

SWITCH
DETAIL CD

SWITCH
DETAIL CG

MONITOR PANEL
134940-06-CHT
134940-07-CHT
40N
1A3

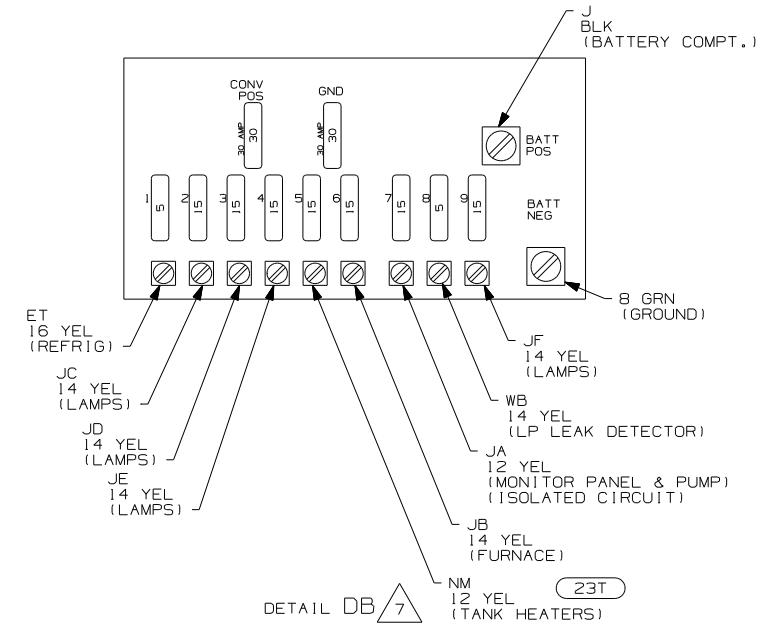
SWITCHES
DETAIL CB

RADIOS-TWO WAY
DOCK STATION
141679-03-000
RADIOS-TWO WAY
141679-05-000 (4)
SCREW
76790-01-000 (4)

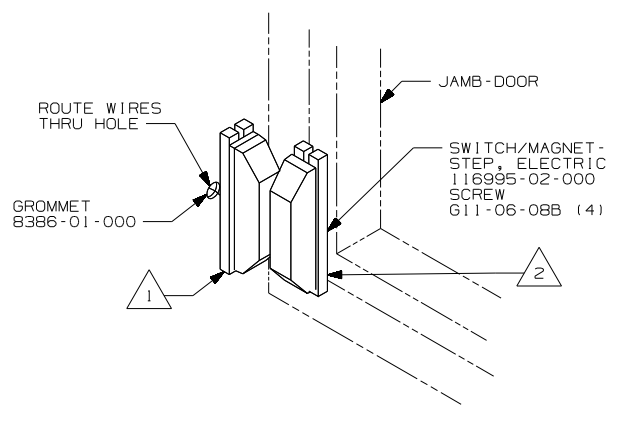
SWITCH
DETAIL CC

LCR-1

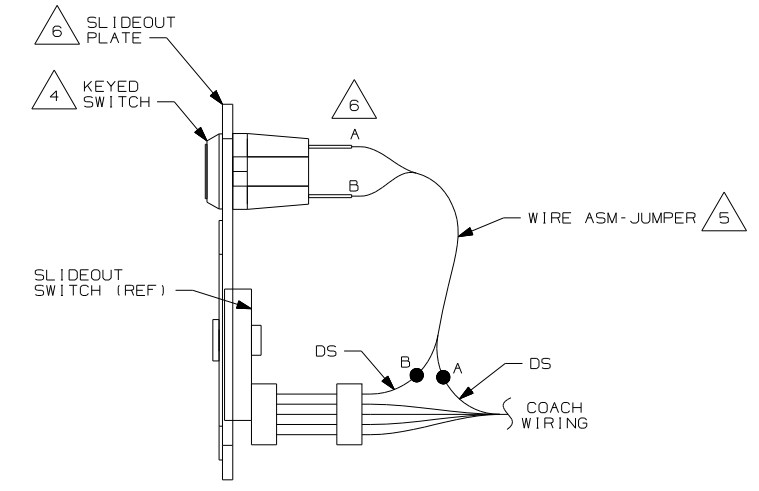
VIEW DA



DETAIL DB 7



DETAIL DC



DETAIL DD 644

- 7 FOR REFERENCE ONLY. SEE LOAD CENTER/ATS ASM FOR ADDITIONAL INFORMATION.
- 6 REMOVE TERMINALS (SUPPLIED WITH KEY SWITCH), CRIMP ON TO WIRE ASM-JUMPER, AND RECONNECT TO KEY SWITCH.
- 5 CUT CIRCUIT DS GOING TO SLIDEOUT SWITCH HOUSING AND RECONNECT AS SHOWN.
- 4 SUPPLIED BY GREAT ALASKAN RENTAL COMPANY.
- 3 SEE WIRING INSTL-BODY, 110V FOR ADDITIONAL INFORMATION.
- 2 MOUNT MAGNET USING PILOT HOLES IN SCREEN DOOR FRAME MOUNT WITH MAGNET TOWARD SWITCH.
- 1 MOUNT SWITCH AND SPACER TO BLOCK ON JAMB ADJUST HEIGHT TO MATCH MAGNET

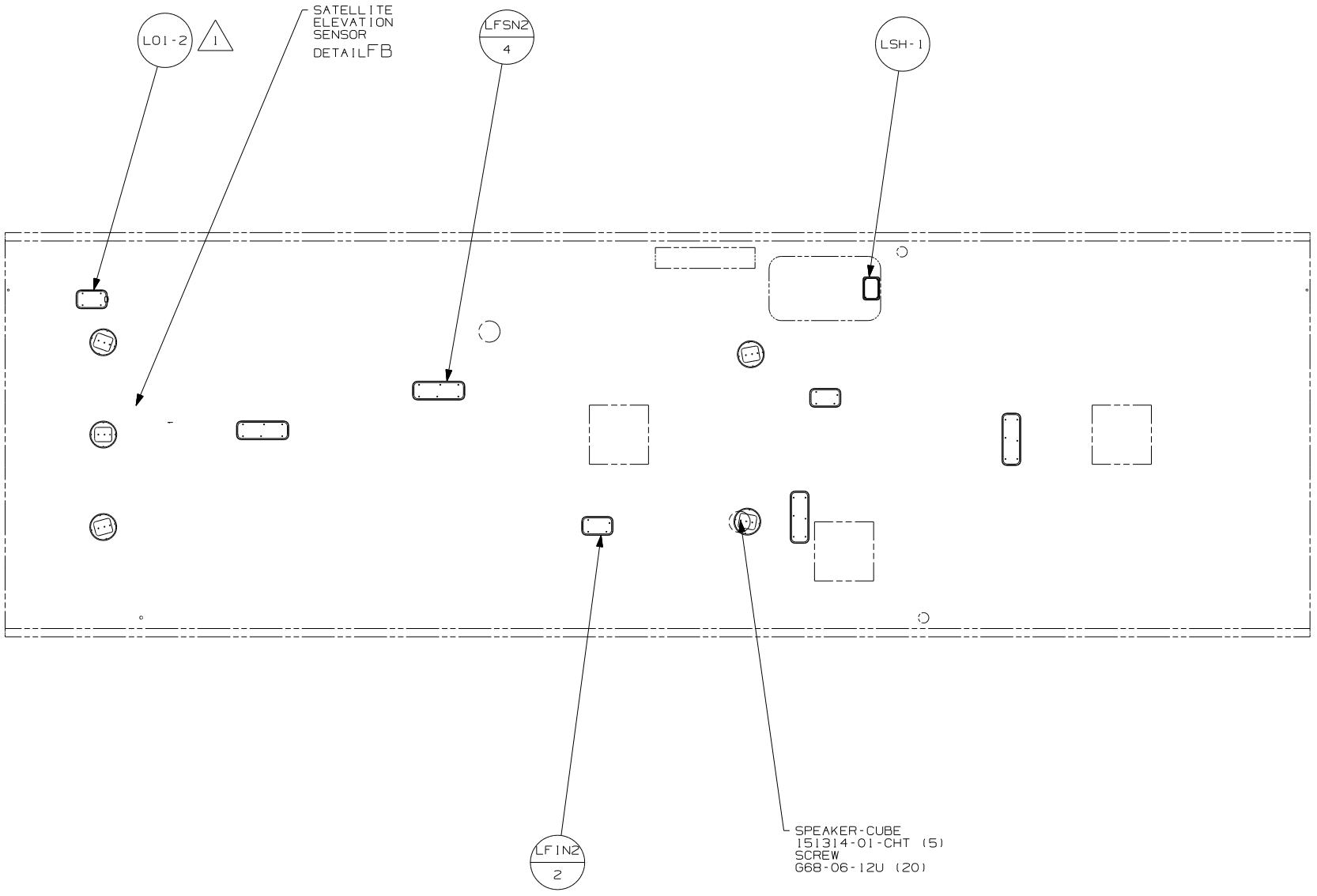
NOTES:

- 644 GREAT ALASKAN RENTAL PACKAGE
- 50H RADIOS TWO-WAY (4)
- 40N GEN-4.0KW-ONANGAS-MICROQUIET
- 23T DRAINAGE SYSTEM-HEATED
- 1E2 ENTRANCE STEP-ELEC.
- 1A3 GENERATOR WITHOUT
- 09L SLIDEOUT ROOM FRONT LEFT

FOR ELECTRICAL TORQUE SPECIFICATIONS SEE DWG NO. 128783-01-000

FOR ELECTRICAL CALLOUTS SEE DWG NO. 121339-01-000

FIRST USED	06 331C/T
DO NOT SCALE DRAWING	
TITLE:	WIRING INSTL-BODY, 12V
SHEET 4	PART NO 152755



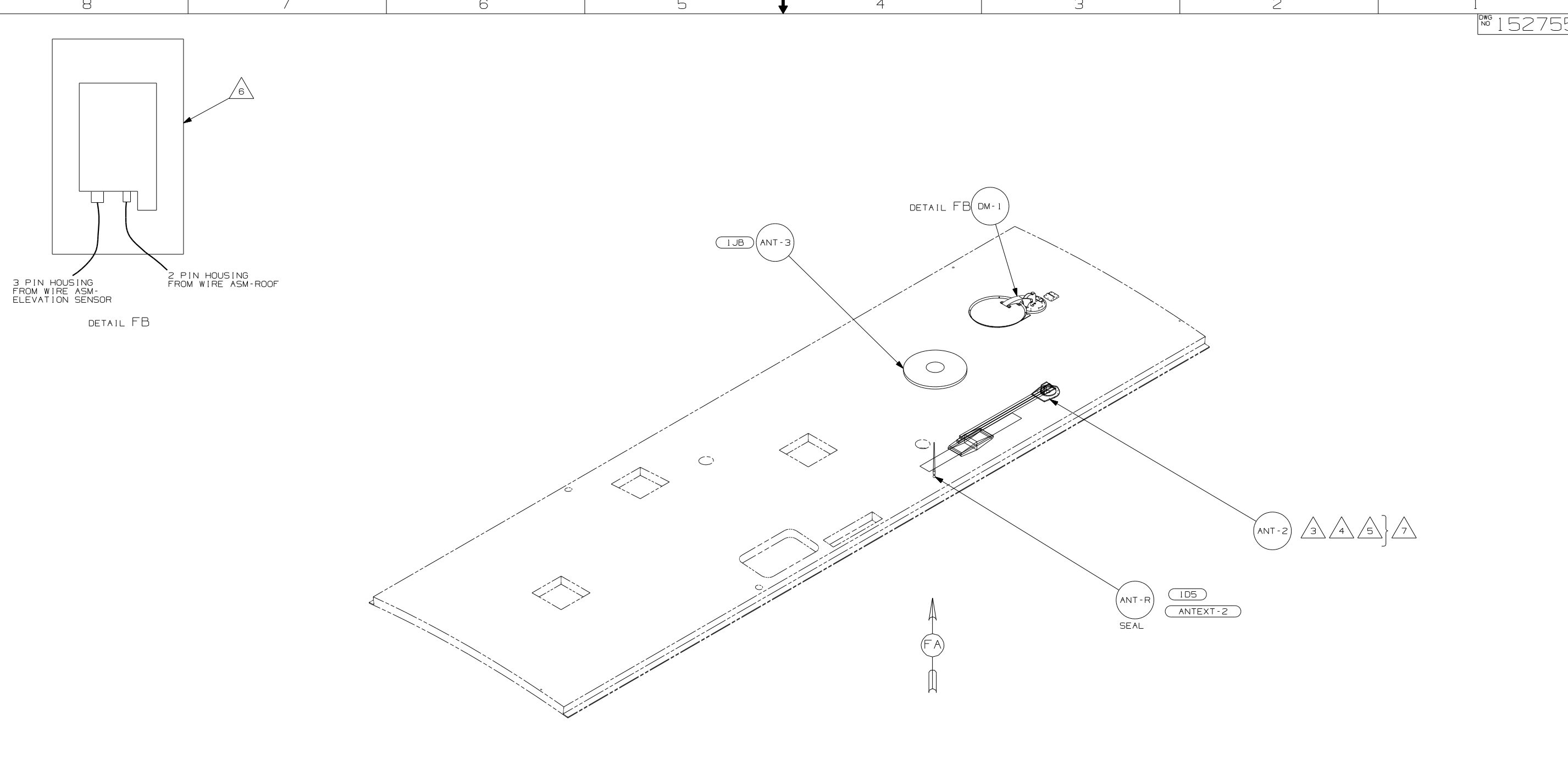
42J TV-24" COLOR, STEREO W/REMOTE
 1JM HOME THEATER SOUND SYSTEM

NOTES:
 1 NOT USED WITH 42J

FOR ELECTRICAL TORQUE SPECIFICATIONS SEE DWG NO. 128783-01-000

FOR ELECTRICAL CALLOUTS SEE DWG NO. 121339-01-000

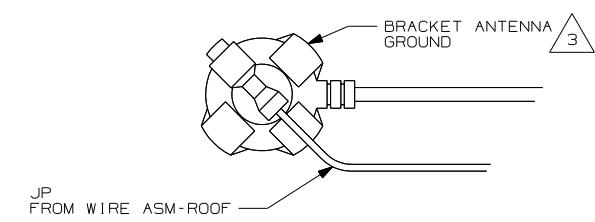
FIRST USED	06 331C/T
DO NOT SCALE DRAWING	
TITLE:	WIRING INSTL-BODY, 12V
SHEET 5	PART NO 152755



- 7 NOT USED WITH IJB
- 6 SENSOR SUPPLIED WITH SATELLITE ASSEMBLY.
- 5 ADD RUBBER BUMPER TO ROOF UNDER EACH END OF ANTENNA IN DOWN POSITION.
- 4 LOCATE CLAMP TO RETAIN CABLE BUT NOT TO RESTRICT ANTENNA TRAVEL.
- 3 SEE DRAWING 76319-01-000 FOR INSTALLATION OF TV ANTENNA.
- 2 WRAP BRACKET LEGS AROUND ANTENNA BASE.

1. CONNCTOR-PLUG, TRAILER 113589-01-000 TO BE SUPPLIE LOOSE IN THE COACH WITH TRAILER TOW PACKAGE.

NOTES:



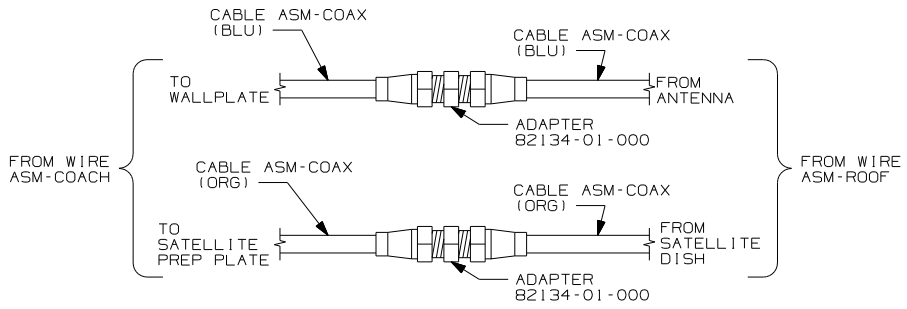
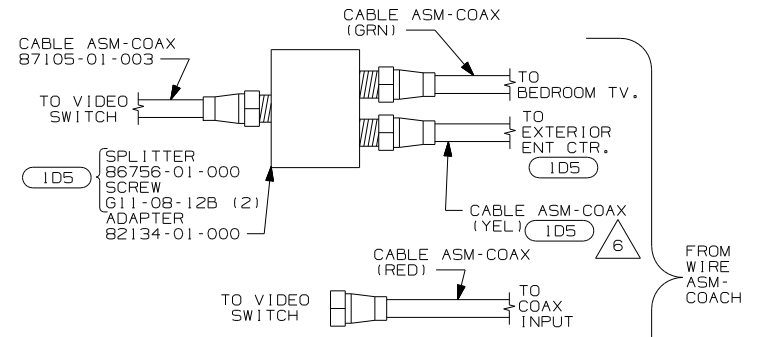
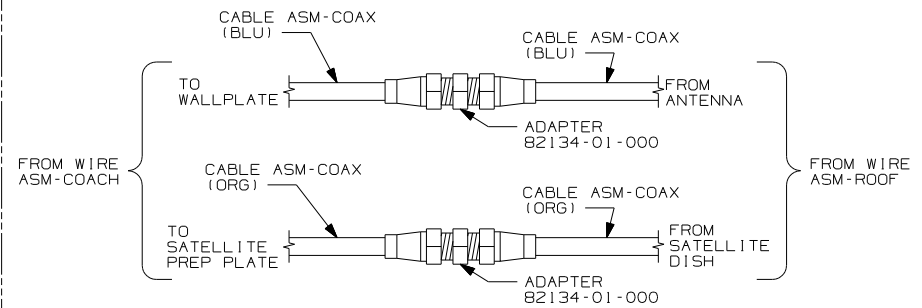
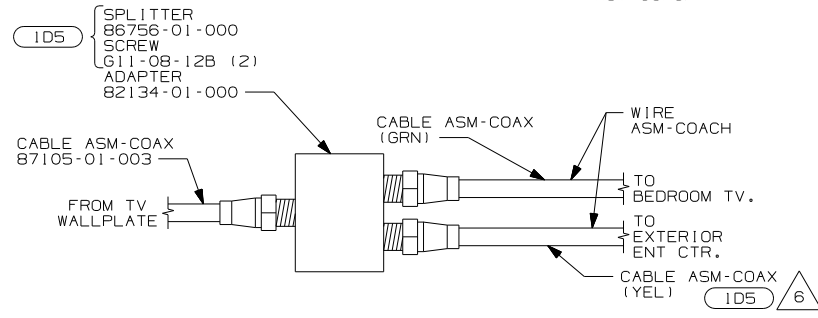
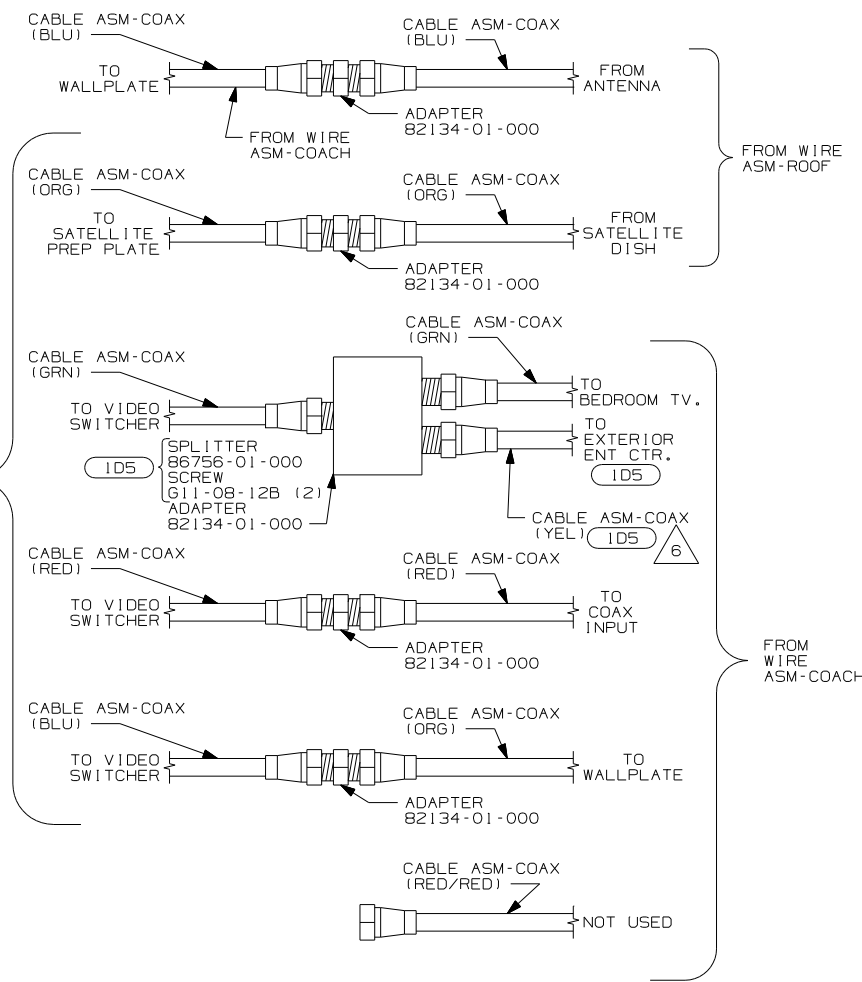
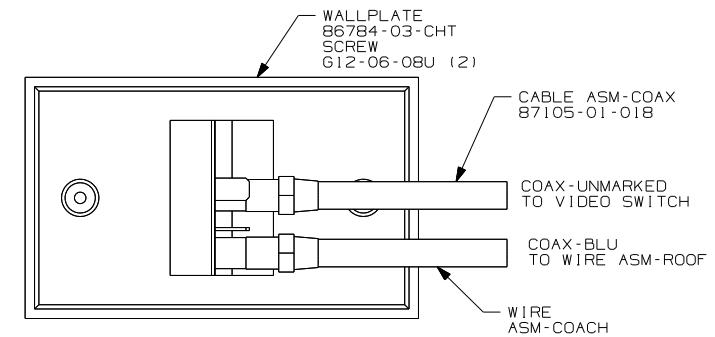
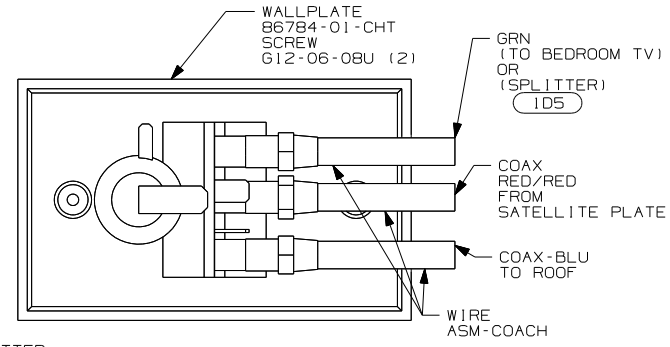
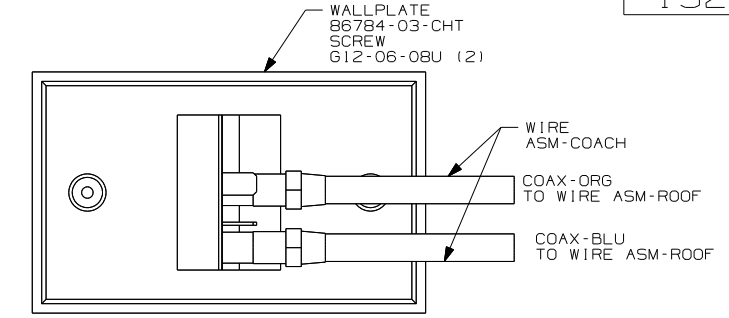
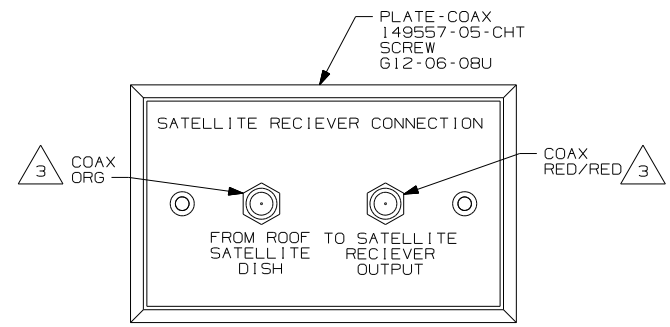
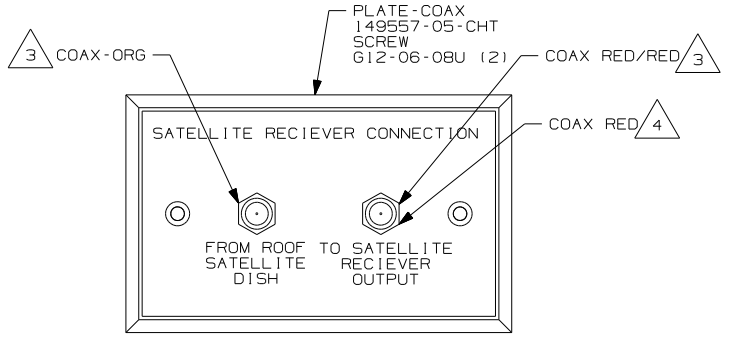
DETAIL FA

FOR ELECTRICAL TORQUE SPECIFICATIONS SEE DWG NO. 128783-01-000

FOR ELECTRICAL CALLOUTS SEE DWG NO. 121339-01-000

- 480 SATELLITE DISH & ELEV.SENSOR
- IJB TV ANTENNA-OMNIDIRECTIONAL
- ID5 ENTERTAINMENT CENTR/EXT W/CD

FIRST USED	06 331C/T
DO NOT SCALE DRAWING	
TITLE:	WIRING INSTL-BODY, 12V
SHEET 6	PART NO 152755



DETAIL GA 2

DETAIL GA 42J 1

DETAIL GA IL4 5

- NOTES:
- 6 COAX NOT USED WITHOUT ID5.
 - 5 WITH SIDE ENTERTAINMENT CENTER, SEE WIRING INSTL-TV/VCR, SIDE FOR ADDITIONAL INFORMATION.
 - 4 CONNECT COAX TO FRONT SIDE OF WALLPLATE.
 - 3 CONNECT COAX TO BACKSIDE OF WALLPLATE.
 - 2 WITHOUT 42J OR IL4.
 - 1 WITH FRONT ENTERTAINMENT CENTER, SEE WIRING INSTL-TV/VCR, FRONT FOR ADDITIONAL INFORMATION.

- IL4 TV-20" W/VIDEO SELECTION SYS
- 42J TV-24" COLOR, STEREO W/REMOTE
- ID5 ENTERTAINMENT CENTER/EXT W/CD
- 265 CODES/STANDARDS-CSA/CMVSS
- 1B1 CODES/STANDARDS USA

FIRST USED	06 331C/T
TITLE	DO NOT SCALE DRAWING
	WIRING INSTL-BODY, 12V
SHEET 7	PART NO 152755