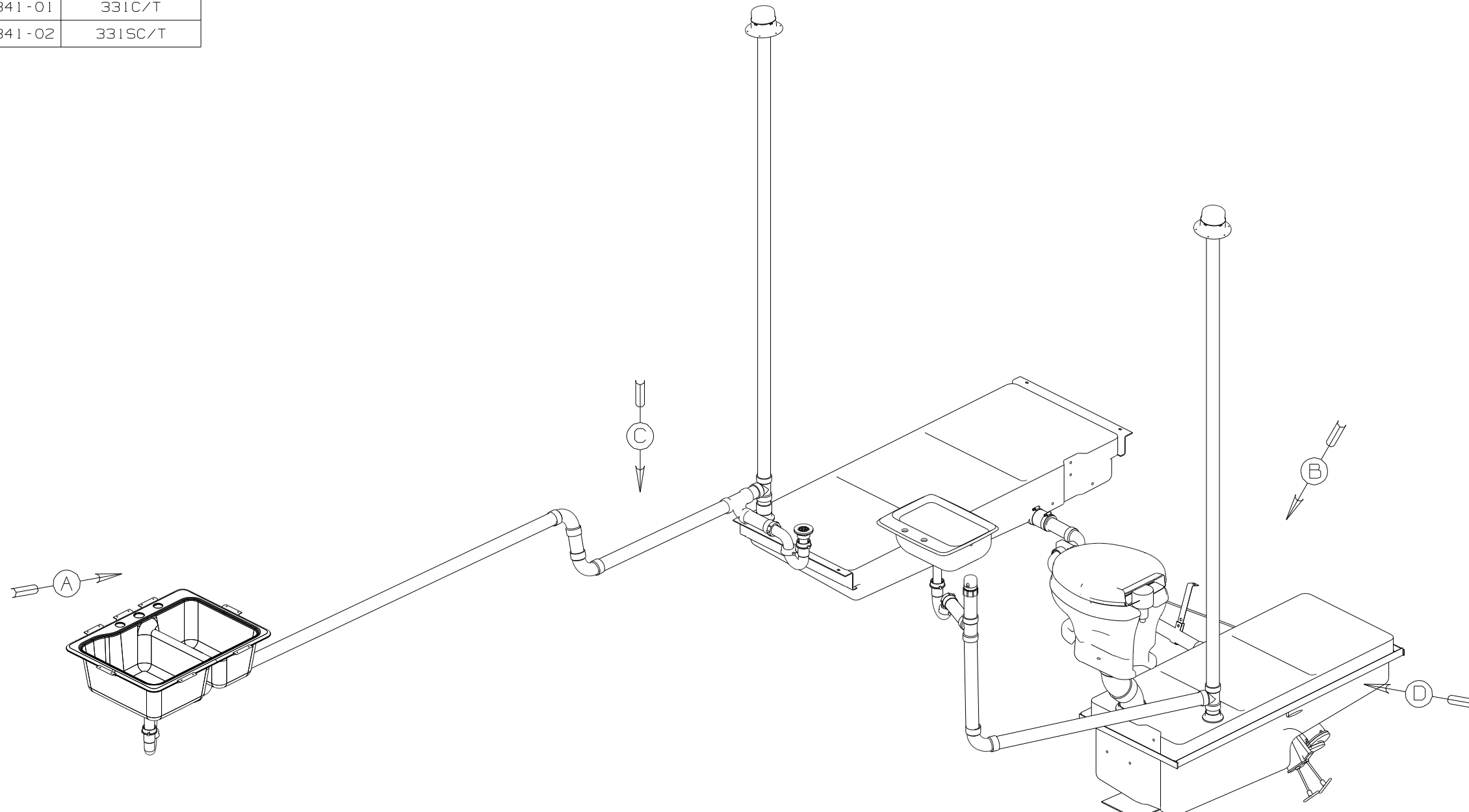


DWG NO	UNIT
152341-01	331C/T
152341-02	331SC/T

RELEASE	REV DATE	DWG NO
A		152341
REV ZONE	REVISION RECORD	DATE



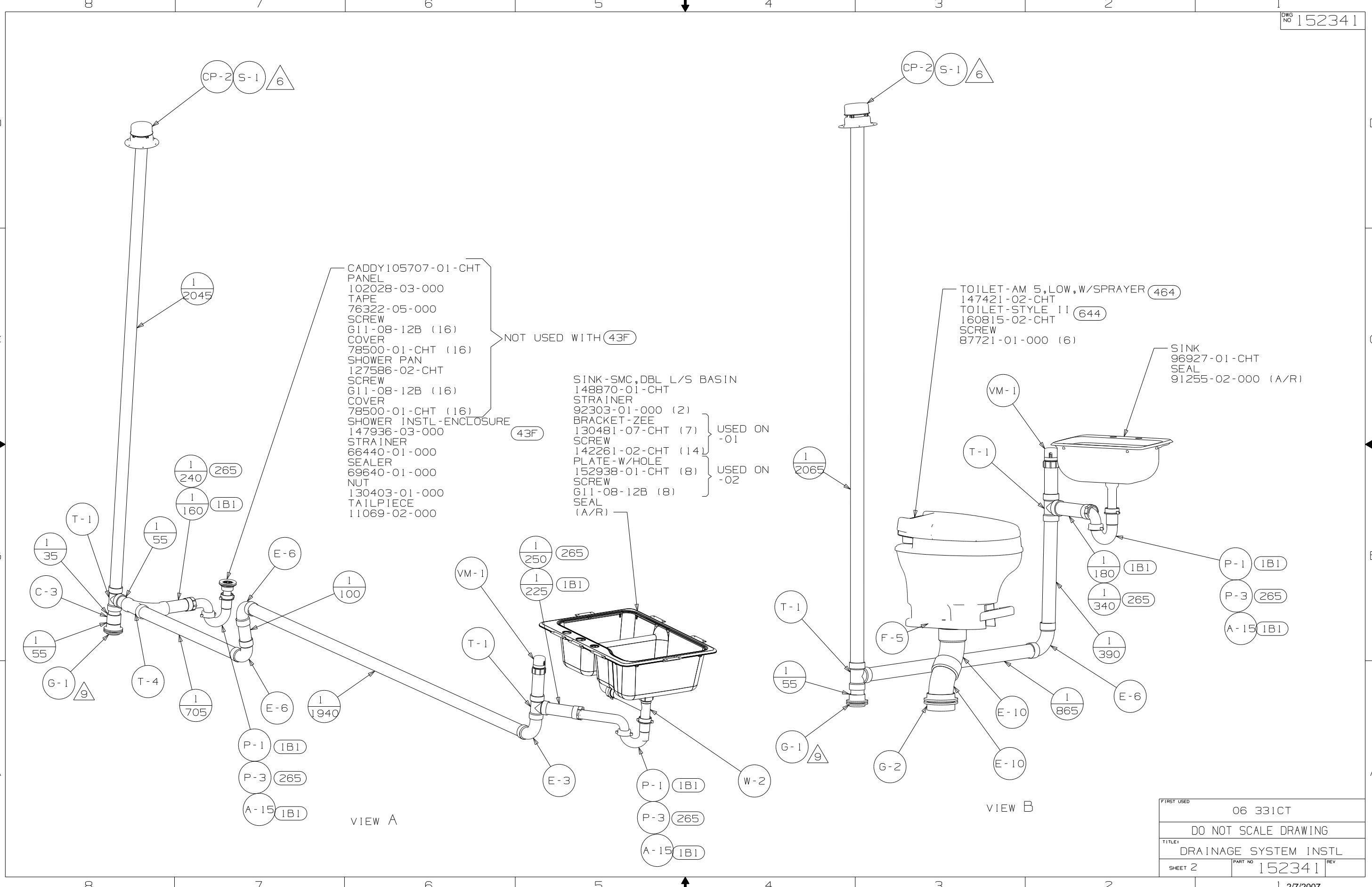
10. SECURE PIPES TO CABINET USING WIRE TIE 108046-02-000 AND SCREW G67-10-12B.
9. SECURE VENT TUBES TO FLOOR WITH CLAMP 62401-02-000 (2) SCREW G67-10-12B (2) AND BRACKET 136878-01-CHT (2).
8. WRAP PAD AROUND ON THE SIDES OF THE TANK.
7. SEE WIRING INSTL-BODY, 12V FOR ELECTRICAL CONNECTION.
6. VENT PIPE MUST PROJECT 51 MIN AND 64 MAX ABOVE ROOF FOR PROPER FIT AND FUNCTION.
5. SEAL AROUND SHOWER WITH SILICONE.
4. ALL EXTERIOR OPENINGS AROUND PIPE TO BE SEALED WITH 131264-03.
3. ALL PIPE AND FITTINGS TO BE ASSEMBLED WITH SOLVENT 4020-01-000.
2. SLOPE OF TRAP ARM MUST BE 6 PER 305 mm.
1. SLOPE OF HORIZONTAL PIPING TO BE MIN 3 PER 305 mm.

- (1B1) CODES/STANDARDS USA
- (265) CODES/STDS-CSA/CMVSS
- (43F) SHOWER SURROUND
- (464) TOILET
- (23T) DRAINAGE SYSTEM-HEATED

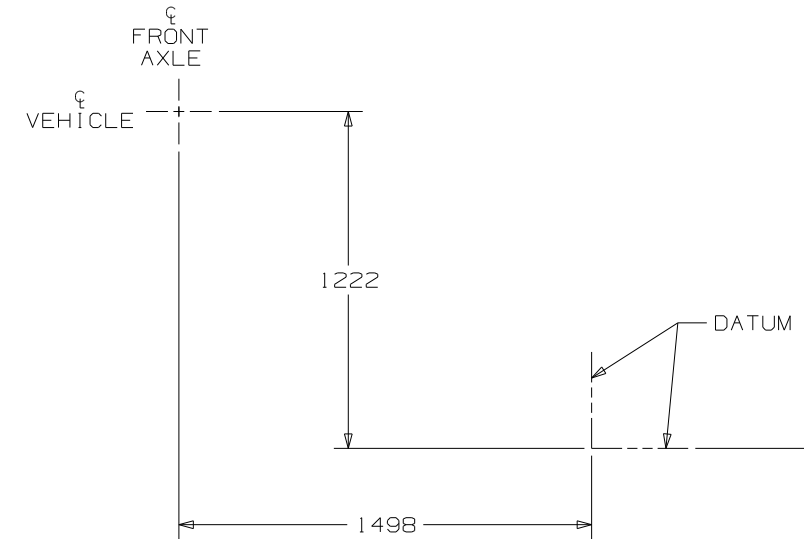
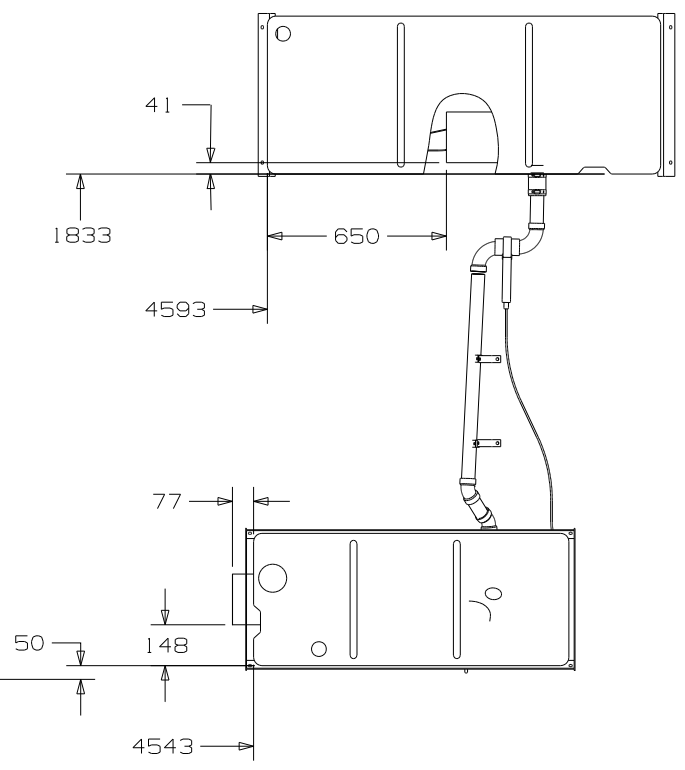
WINNEBAGO		COPYRIGHT 2007 WINNEBAGO INDUSTRIES, INC.	
DFT	ORIG. DATE	ALL DIMENSIONS ARE IN MILLIMETERS	
CHKR		FIRST USED	
P.E.		06 331CT	
M.E.		UNSPECIFIED TOLERANCES ARE:	
DSNR		MATERIAL:	
		WHOLE DIM (X) :	7
		ONE-PLACE (X.X) :	
		TWO-PLACE (X.XX) :	
		ANGLE :	
THIRD ANGLE PROJECTION		DO NOT SCALE DRAWING	
TITLE: DRAINAGE SYSTEM INSTL			
SHEET 1 OF 3	PART NO	152341	REV
REF:	1 2/7/2007		

FOR
DRAINAGE
CALLOUTS
SEE DWG NO
116229-01-000

NOTES:



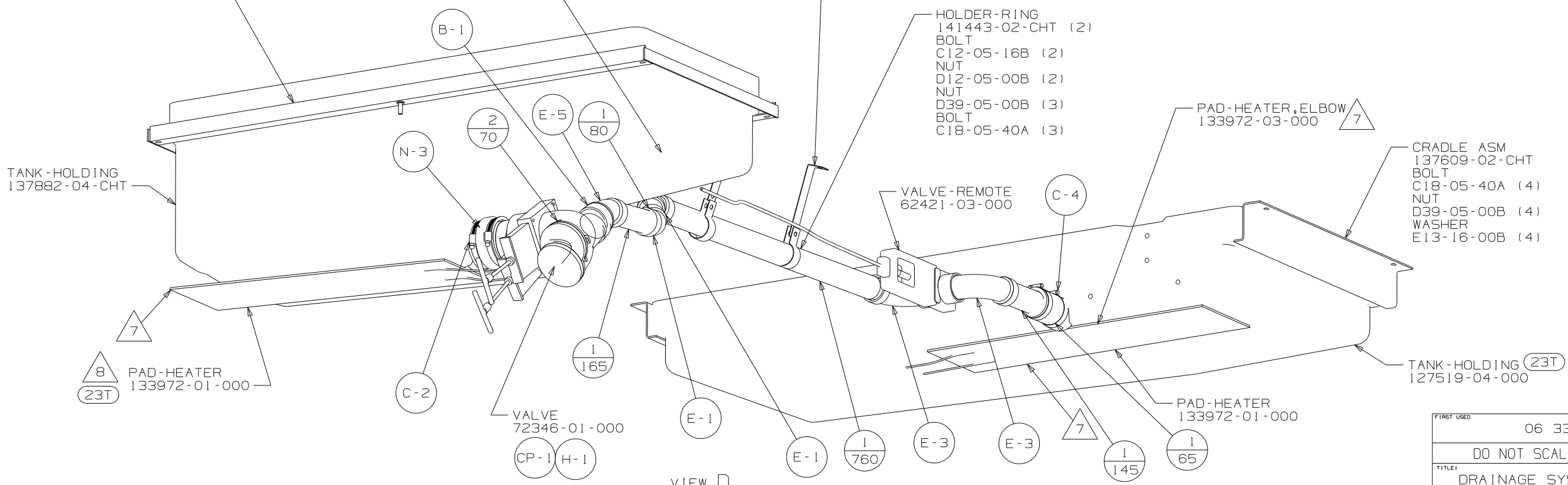
FIRST USED	06 331CT	
TITLE	DO NOT SCALE DRAWING	
	DRAINAGE SYSTEM INSTL	
SHEET 2	PART NO 152341	REV



VIEW C

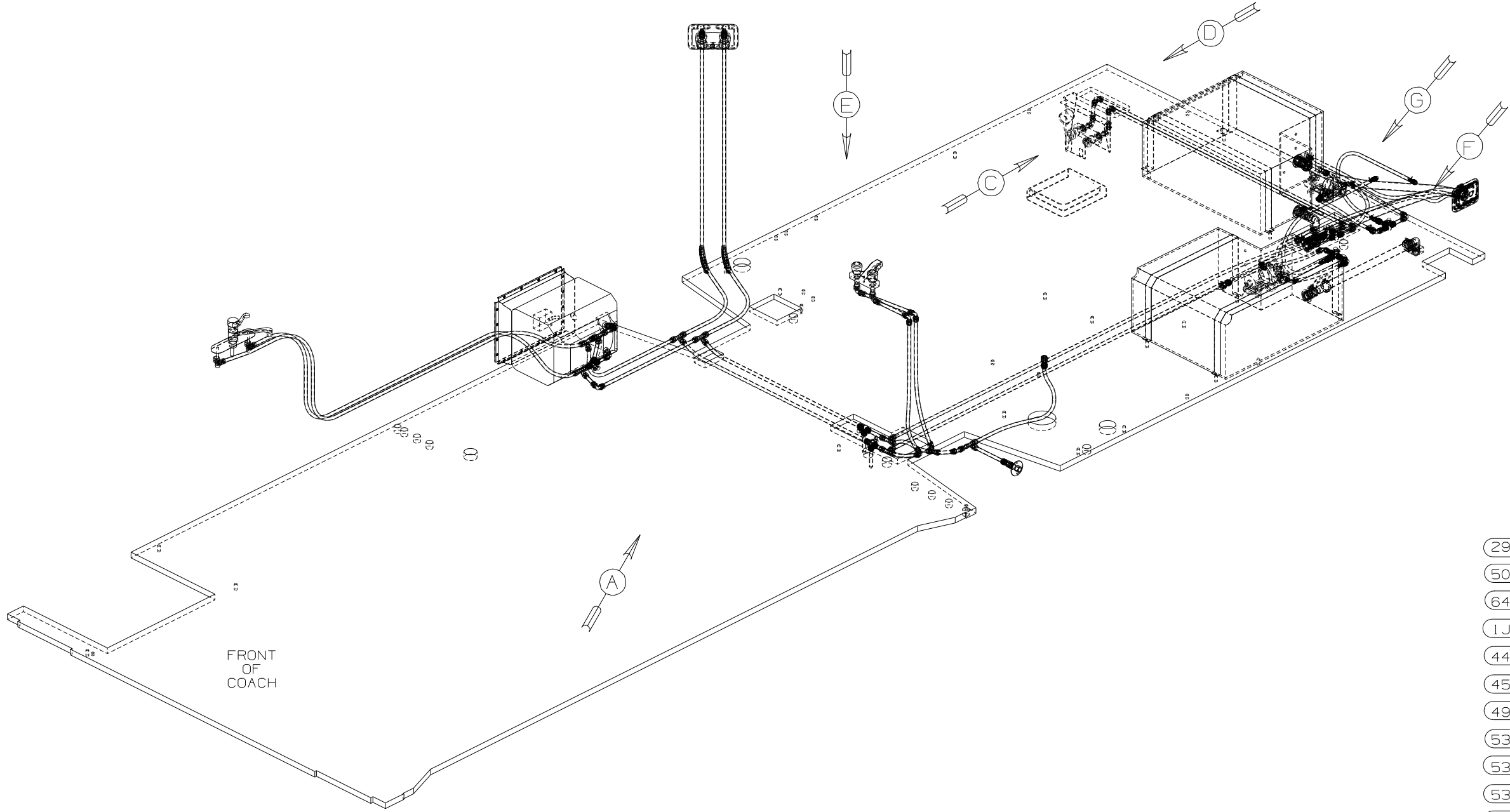
- CRADLE ASM
141451-01-CHT
- BOLT
65115-03-000 (4)
- NUT
D39-05-00B (4)
- WASHER
E13-16-00B (4)

- HANGER-STRAP
140220-04-CHT (2)
- BOLT
C18-05-40A (2)
- NUT
D39-005-00B (2)



VIEW D

FIRST USED	06 33ICT		
TITLE	DO NOT SCALE DRAWING		
	DRAINAGE SYSTEM INSTL		
SHEET 3	PART NO	152341	REV

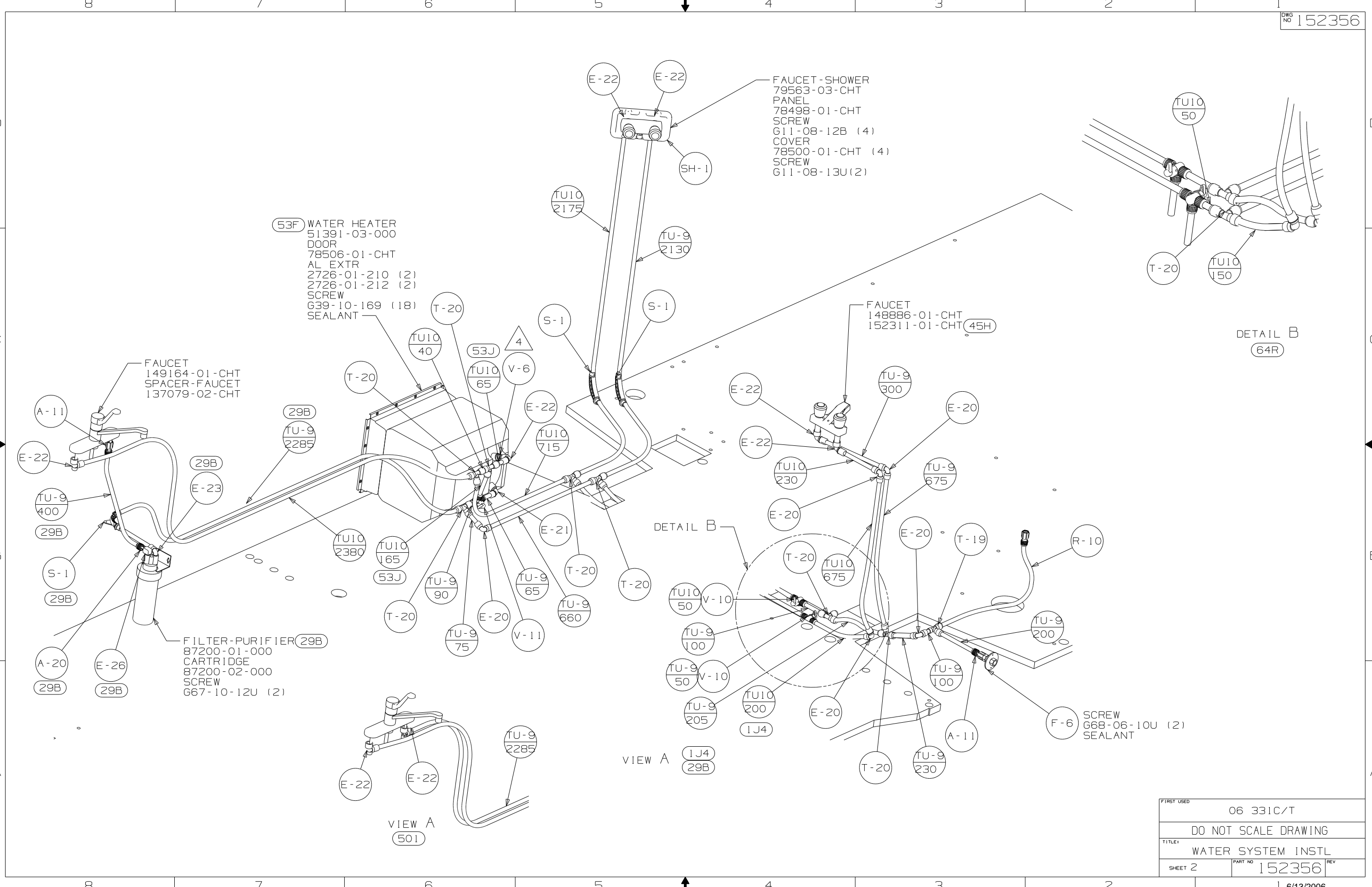


- (29B) WATER PURIFIER
- (501) WATER PURIFIER-W/O
- (64R) EXTERIOR WASH STATION
- (1J4) EXT WASH STATION-WITHOUT
- (44X) BED-QUEEN SIDEWALL
- (45G) BED-TWINS
- (49X) BED-QUEEN-BACKWALL
- (53P) WINTERIZING VALVE, MANUAL
- (53J) WATER HEATER BY-PASS-VALVE
- (53F) WTR HTR-6 GAL ELEC IGN
- (45H) DELUXE FEATURE PACKAGE

- NOTES:
- 7 ADD PIPE WRAP (LADDER SCRAP 110157-02) INSULATION HERE.
 - 6 ANTI-RATTLE CLAMP 10495-01-000, SCREW G67-10-12B.
 - 5 ADD TEFLON TAPE 10405-01-000 TO FITTING.
 - 4 ADD TEFLON TAPE 10405-02-000 TO FITTING.
3. ALL TUBING TO BE SECURED AT 1200 INTERVALS MAXIMUM WITH CLAMP 10495-01-000 AND SCREW G67-10-12B OR EQUIVALENT.
 2. TUBING TO BE INSTALLED WITH SUFFICIENT SLOPE TO PROVIDE DRAINAGE TO NEAREST VALVE.
 1. PLASTIC FITTINGS TO BE SEALED WITH SEALANT 94456-01-000.

WINNEBAGO		COPYRIGHT 2006 WINNEBAGO INDUSTRIES, INC.	
DFTR	ORIG. DATE	ALL DIMENSIONS ARE IN MILLIMETERS	
CHKR		FIRST USED	
P.E.		06 331C/T	
M.E.		UNSPECIFIED TOLERANCES ARE:	
DSNR		MATERIAL:	
		WHOLE DIM (X) :	3
		ONE-PLACE (X.X) :	
		TWO-PLACE (X.XX) :	
		ANGLE :	
THIRD ANGLE PROJECTION		DO NOT SCALE DRAWING	
TITLE: WATER SYSTEM INSTL			
SHEET 1 OF 5	PART NO	152356	REV
REF:	1 6/13/2006		

(X-X)
FOR
WATER
CALLOUTS
SEE DWG NO
116230-01-000



(53F) WATER HEATER
 51391-03-000
 DOOR
 78506-01-CHT
 AL EXTR
 2726-01-210 (2)
 2726-01-212 (2)
 SCREW
 639-10-169 (18)
 SEALANT

FAUCET-SHOWER
 79563-03-CHT
 PANEL
 78498-01-CHT
 SCREW
 611-08-12B (4)
 COVER
 78500-01-CHT (4)
 SCREW
 611-08-13U(2)

FAUCET
 149164-01-CHT
 SPACER-FAUCET
 137079-02-CHT

FILTER-PURIFIER (29B)
 87200-01-000
 CARTRIDGE
 87200-02-000
 SCREW
 667-10-12U (2)

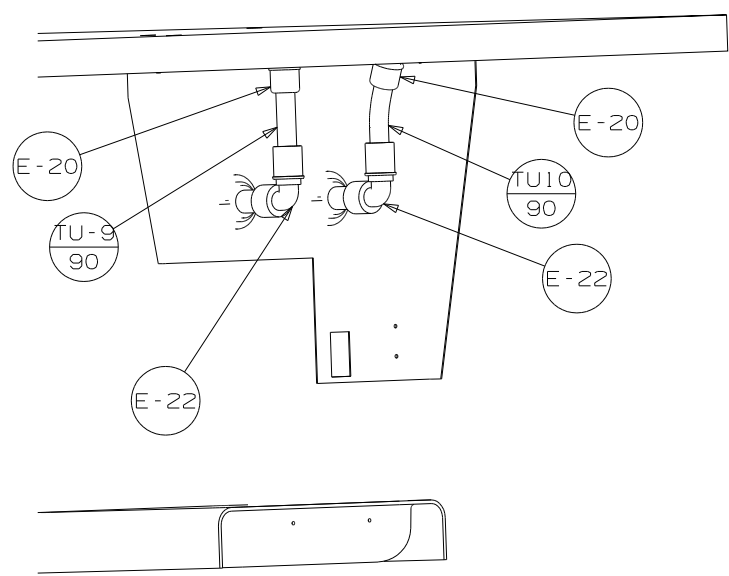
FAUCET
 148886-01-CHT
 152311-01-CHT (45H)

DETAIL B
 (64R)

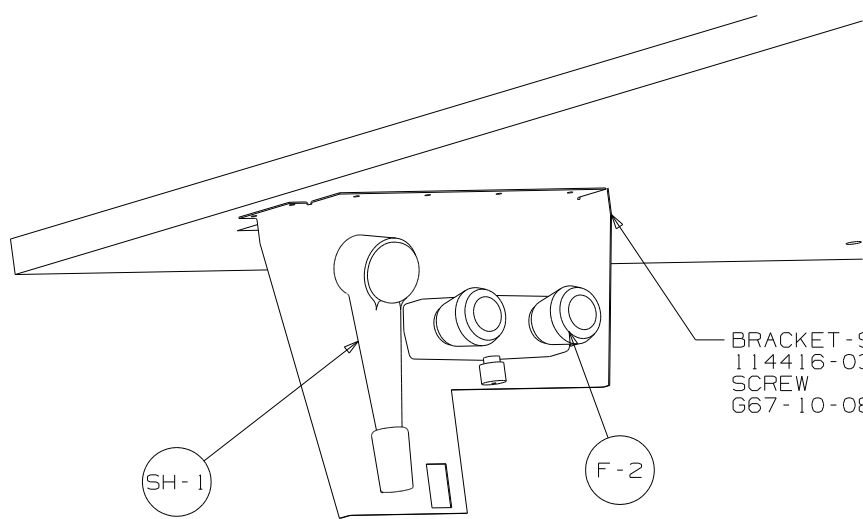
VIEW A
 (501)

SCREW
 668-06-10U (2)
 SEALANT

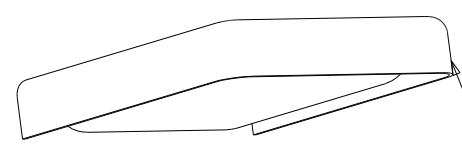
FIRST USED	06 331C/T		
TITLE:	DO NOT SCALE DRAWING		
TITLE:	WATER SYSTEM INSTL		
SHEET 2	PART NO	152356	REV



VIEW D
64R

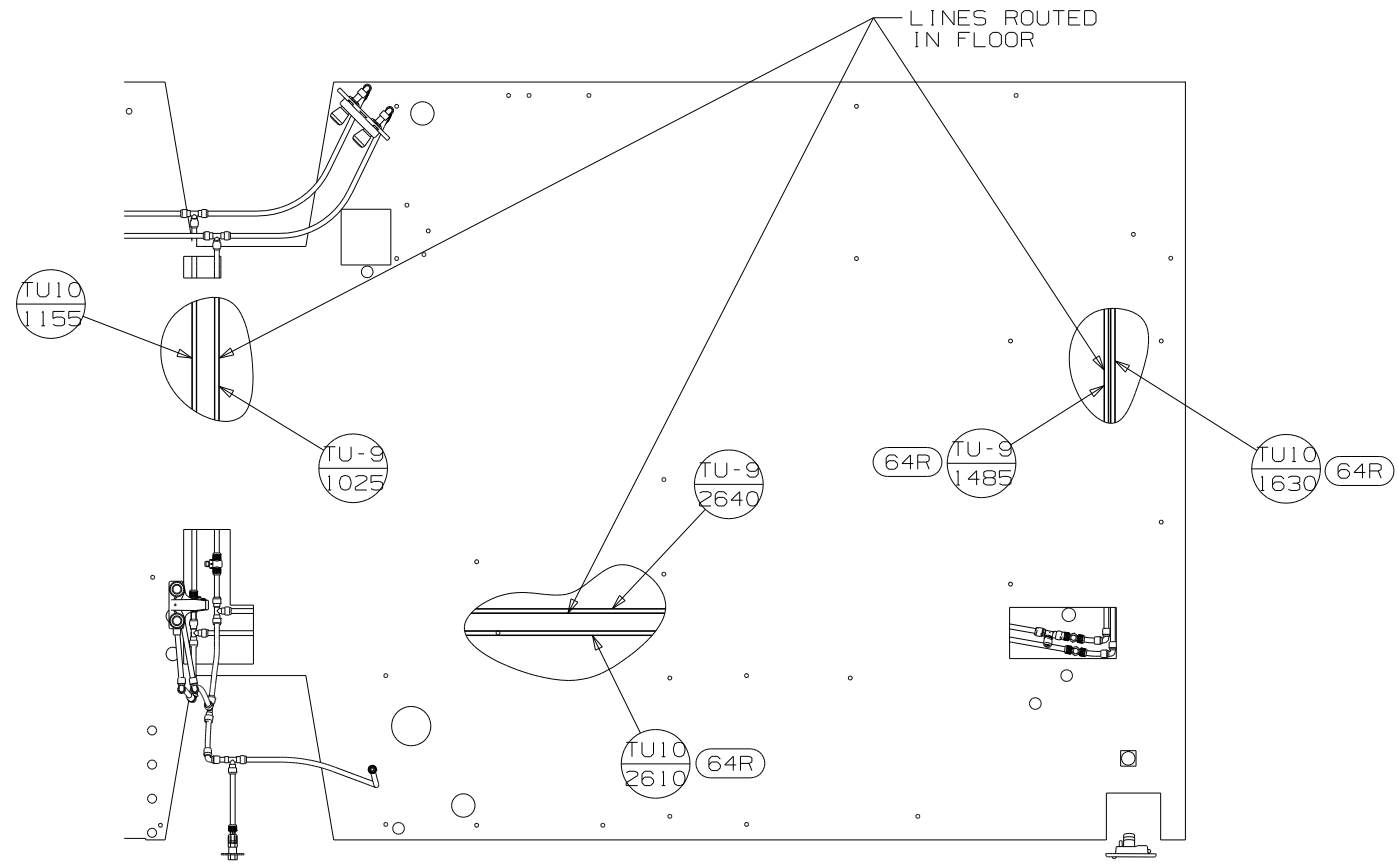


BRACKET-SUPPORT, FAUCET
114416-03-CHT
SCREW
G67-10-08T (6)



VIEW C
64R

PAN-DRIP, EXTERIOR SHOWER
114293-01-CHT
SCREW
G67-10-08U (2)



LINES ROUTED IN FLOOR

VIEW E

FIRST USED	06 331C/T
TITLE	DO NOT SCALE DRAWING
SHEET 3	PART NO 152356
	REV

TANK ASM-WATER, 31 GAL
64214-24-000
STRAP-TANK, WATER
118994-03-CHT
118994-04-CHT
BOLT
C18-05-40A (4)
NUT
D39-05-00B (4)
WASHER
E13-16-00B (4)

VALVE
132483-01-000

TUBING
74462-01-000
650

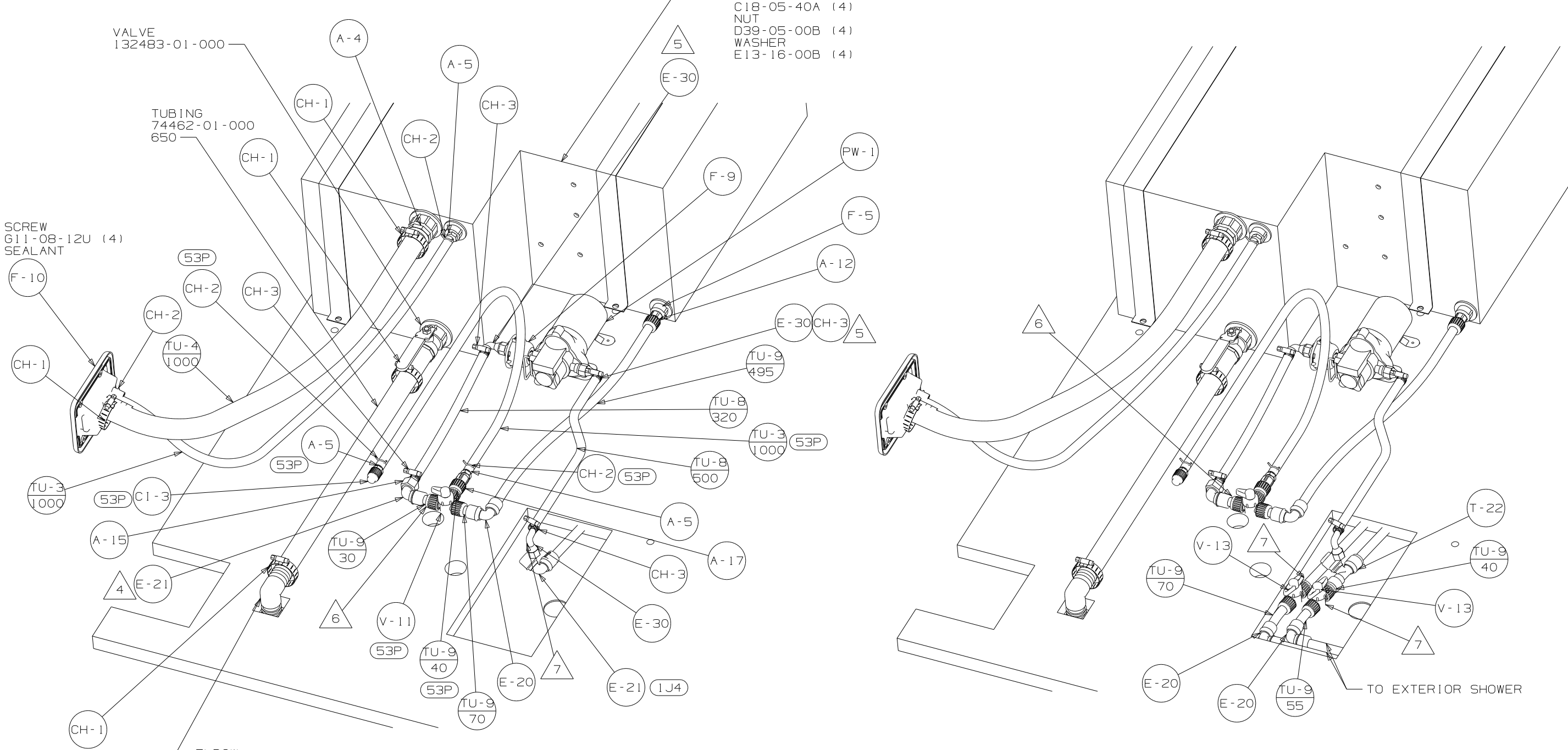
SCREW
G11-08-12U (4)
SEALANT

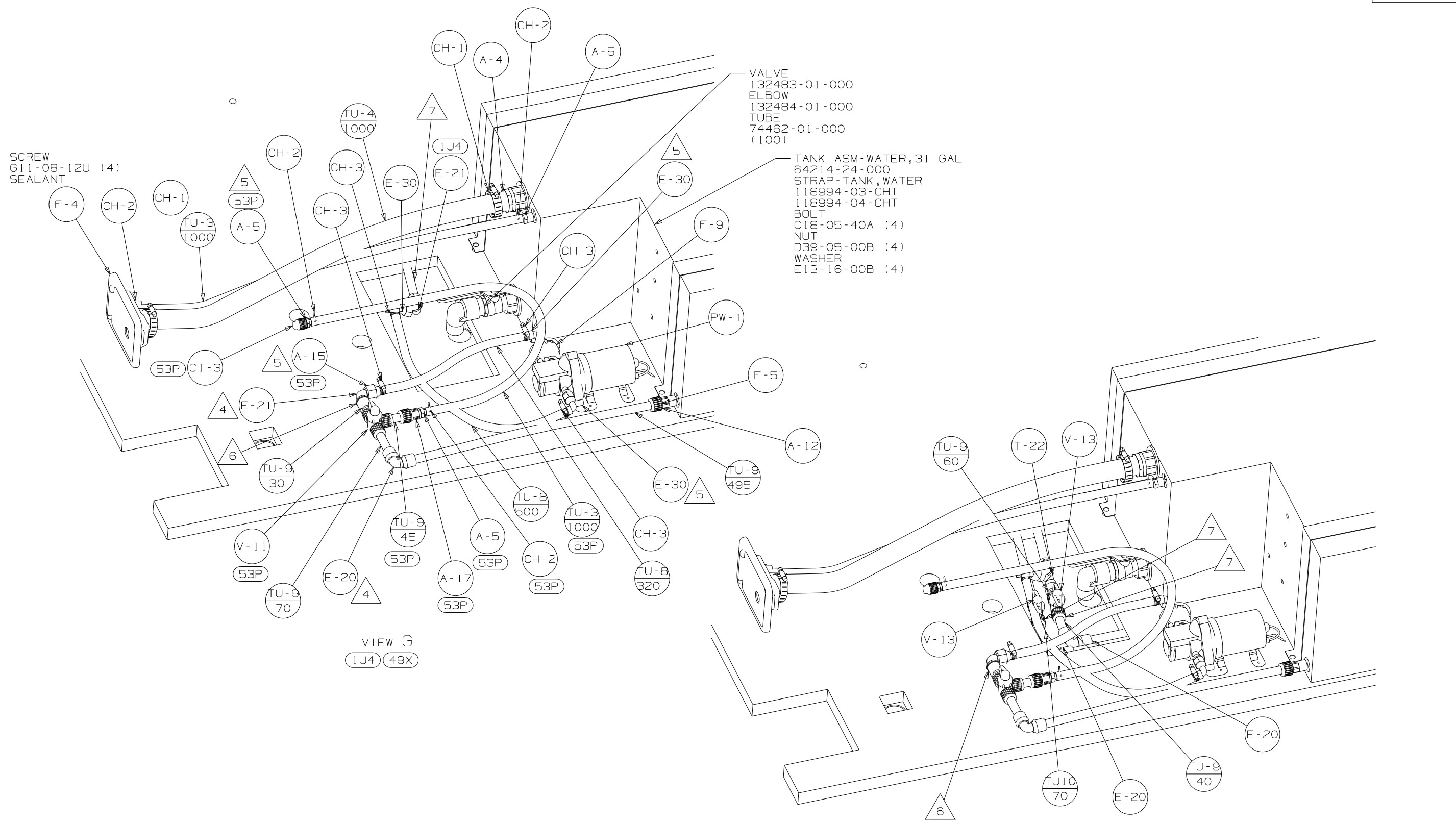
ELBOW
132781-01-000

VIEW F
1J4 44X 45G

VIEW F
64R 44X 45G

FIRST USED	06 331C/T
TITLE	DO NOT SCALE DRAWING
TITLE	WATER SYSTEM INSTL
SHEET 4	PART NO 152356 REV
I 6/13/2006	





SCREW
G11-08-12U (4)
SEALANT

VALVE
132483-01-000
ELBOW
132484-01-000
TUBE
74462-01-000
(100)

TANK ASM-WATER, 31 GAL
64214-24-000
STRAP-TANK, WATER
118994-03-CHT
118994-04-CHT
BOLT
C18-05-40A (4)
NUT
D39-05-00B (4)
WASHER
E13-16-00B (4)

VIEW G
1J4 49X

VIEW G
64R 49X

FIRST USED	06 331C/T	
TITLE	DO NOT SCALE DRAWING	
TITLE	WATER SYSTEM INSTL	
SHEET 5	PART NO	152356
REV		