



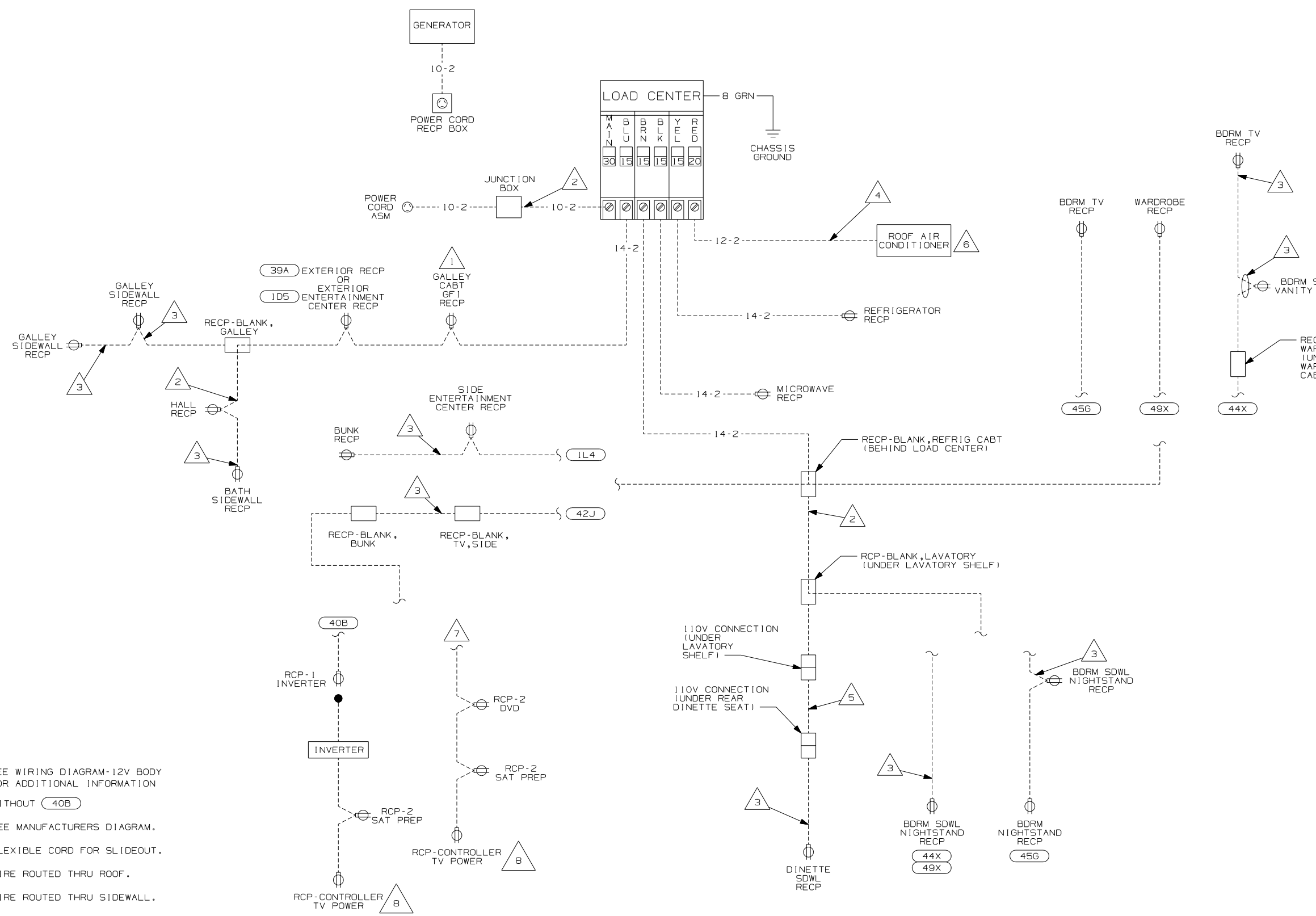
**DANGER**

**Danger of electrical shock, burns or death.** Always remove all power sources before attempting any repair, service or diagnostic work. Power can be present from shore power, generator, inverter or battery. All power sources must be disabled and secured before performing any service.



**CAUTION**

If you lack the skills, tools or equipment to perform diagnostic or repair work leave such work to an authorized Winnebago Industries dealer or other qualified shop.



- (49X) BED-QUEEN BACKWALL
- (45G) BED-TWINS
- (44X) BED-QUEEN SIDEWALL
- (42J) TV-24" COLOR, STEREO W/REMOTE
- (40B) INVERTER-DC/AC, 300 WATT
- (39A) EXT RECEPTACLE DPLX 120VAC
- (12D) ELECTRICAL SYSTEM 30 AMP
- (1D5) ENTERTAINMENT CENTR/EXT W/CD
- (1L4) TV-20" W/VIDEO SELECTION SYS
- (265) CODES/STANDARDS-CSA/CMVSS
- (1B1) CODES/STANDARDS USA

- NOTES:
- 8 SEE WIRING DIAGRAM-12V BODY FOR ADDITIONAL INFORMATION
  - 7 WITHOUT (40B)
  - 6 SEE MANUFACTURERS DIAGRAM.
  - 5 FLEXIBLE CORD FOR SLIDEOUT.
  - 4 WIRE ROUTED THRU ROOF.
  - 3 WIRE ROUTED THRU SIDEWALL.
  - 2 WIRE ROUTED THRU FLOOR.
  - 1 ALL OUTLETS DOWN STREAM AND INCLUDING THIS OUTLET ARE GROUND FAULT CIRCUIT INTERRUPT PROTECTED.

FOR ELECTRICAL TORQUE SPECIFICATIONS SEE DWG NO. 128783-01-000

<b>WINNEBAGO</b>		COPYRIGHT 2004 WINNEBAGO INDUSTRIES, INC.	
DFTR	ORIG. DATE	ALL DIMENSIONS ARE IN MILLIMETERS	
CHKR		FIRST USED	
P.E.		06 331C/T	
M.E.		UNSPECIFIED TOLERANCES ARE:	
DSNR		MATERIAL:	
		WHOLE DIM (X)	:
		ONE-PLACE (X.X)	:
		TWO-PLACE (X.XX)	:
		ANGLE	:
		THIRD ANGLE PROJECTION	
DO NOT SCALE DRAWING			
TITLE: WIRING DIAGRAM-BODY, 110V			
SHEET 1 of 1	PART NO	152793	
REF:	1 8/8/2005		