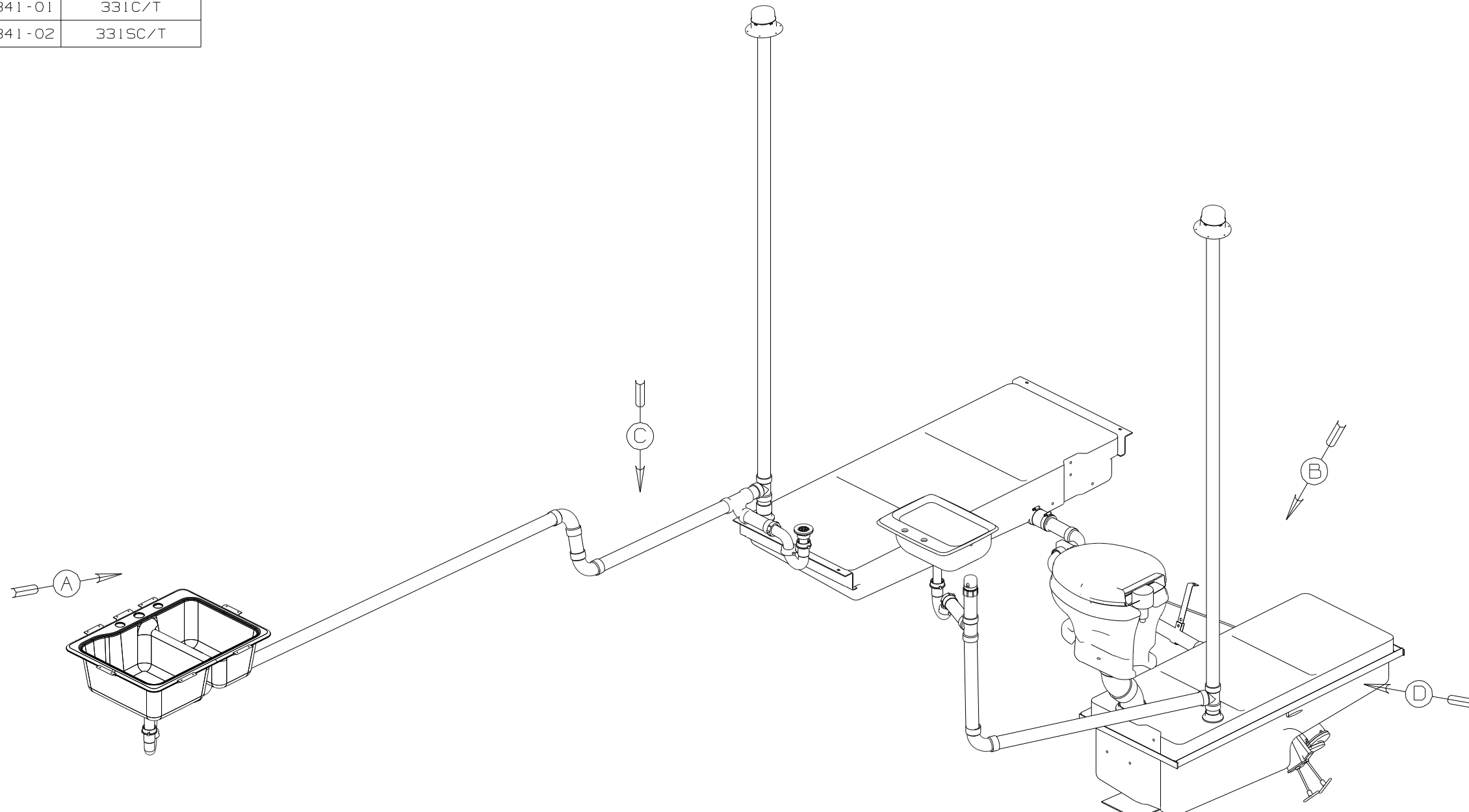


DWG NO	UNIT
152341-01	331C/T
152341-02	331SC/T

RELEASE	REV DATE	DWG NO
A		152341
REV ZONE	REVISION RECORD	DATE
		DFTR-ORIG



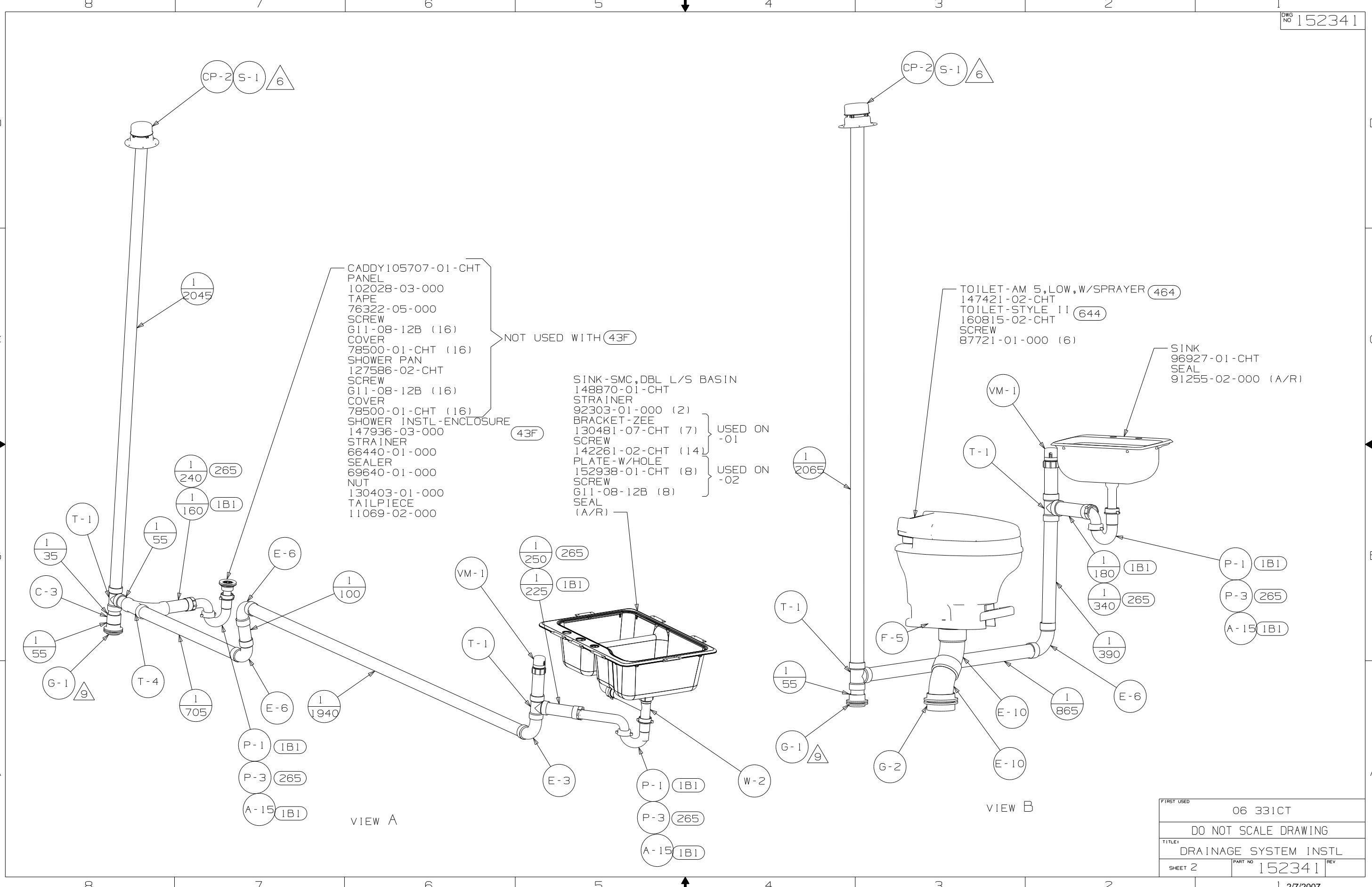
10. SECURE PIPES TO CABINET USING WIRE TIE 108046-02-000 AND SCREW G67-10-12B.
9. SECURE VENT TUBES TO FLOOR WITH CLAMP 62401-02-000 (2) SCREW G67-10-12B (2) AND BRACKET 136878-01-CHT (2).
8. WRAP PAD AROUND ON THE SIDES OF THE TANK.
7. SEE WIRING INSTL-BODY, 12V FOR ELECTRICAL CONNECTION.
6. VENT PIPE MUST PROJECT 51 MIN AND 64 MAX ABOVE ROOF FOR PROPER FIT AND FUNCTION.
5. SEAL AROUND SHOWER WITH SILICONE.
4. ALL EXTERIOR OPENINGS AROUND PIPE TO BE SEALED WITH 131264-03.
3. ALL PIPE AND FITTINGS TO BE ASSEMBLED WITH SOLVENT 4020-01-000.
2. SLOPE OF TRAP ARM MUST BE 6 PER 305 mm.
1. SLOPE OF HORIZONTAL PIPING TO BE MIN 3 PER 305 mm.

- (1B1) CODES/STANDARDS USA
- (265) CODES/STDS-CSA/CMVSS
- (43F) SHOWER SURROUND
- (464) TOILET
- (23T) DRAINAGE SYSTEM-HEATED

WINNEBAGO		COPYRIGHT 2007 WINNEBAGO INDUSTRIES, INC.	
DFTR	ORIG. DATE	ALL DIMENSIONS ARE IN MILLIMETERS	
CHKR		FIRST USED	
P.E.		06 331CT	
M.E.		UNSPECIFIED TOLERANCES ARE:	
DSNR		MATERIAL:	
		WHOLE DIM (X) :	7
		ONE-PLACE (X.X) :	
		TWO-PLACE (X.XX) :	
		ANGLE :	
THIRD ANGLE PROJECTION		DO NOT SCALE DRAWING	
TITLE: DRAINAGE SYSTEM INSTL			
SHEET 1 OF 3	PART NO	152341	REV
REF:	1 2/7/2007		

FOR
DRAINAGE
CALLOUTS
SEE DWG NO
116229-01-000

NOTES:



- CADDY 105707-01-CHT
 PANEL
 102028-03-000
 TAPE
 76322-05-000
 SCREW
 G11-08-12B (16)
 COVER
 78500-01-CHT (16)
 SHOWER PAN
 127586-02-CHT
 SCREW
 G11-08-12B (16)
 COVER
 78500-01-CHT (16)
 SHOWER INSTL-ENCLOSURE
 147936-03-000
 STRAINER
 66440-01-000
 SEALER
 69640-01-000
 NUT
 130403-01-000
 TAILPIECE
 11069-02-000

NOT USED WITH 43F

43F

- SINK-SMC, DBL L/S BASIN
 148870-01-CHT
 STRAINER
 92303-01-000 (2)
 BRACKET-ZEE
 130481-07-CHT (7)
 SCREW
 142261-02-CHT (14)
 PLATE-W/HOLE
 152938-01-CHT (8)
 SCREW
 G11-08-12B (8)
 SEAL
 (A/R)

USED ON -01

USED ON -02

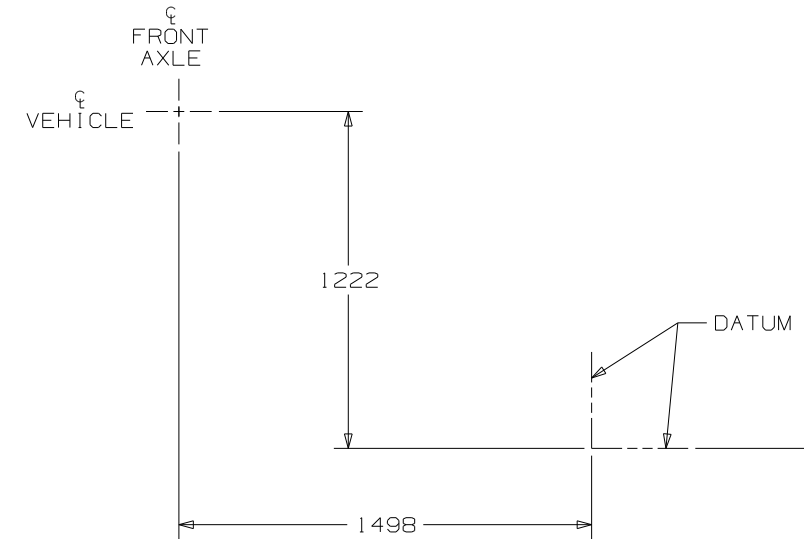
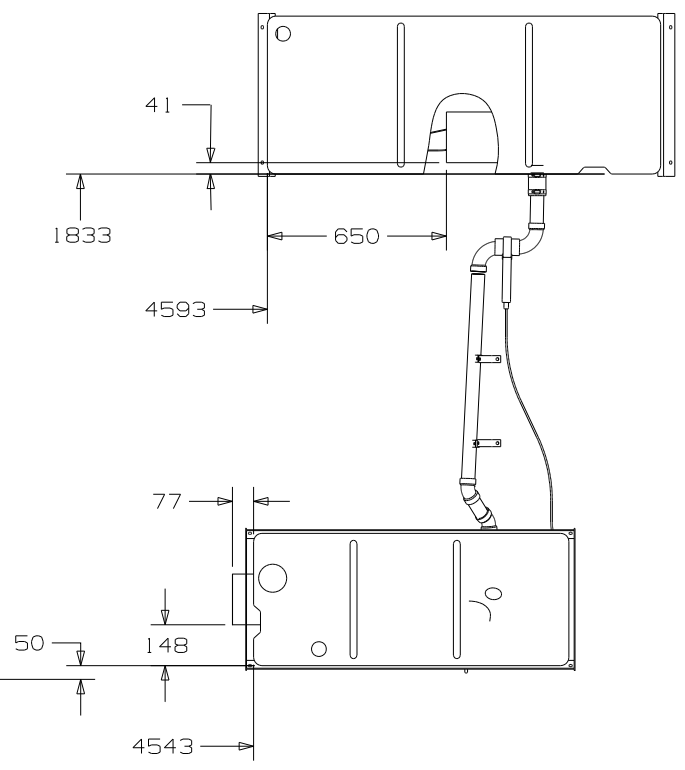
- TOILET-AM 5, LOW, W/SPRAYER 464
 147421-02-CHT
 TOILET-STYLE 11 644
 160815-02-CHT
 SCREW
 87721-01-000 (6)

- SINK
 96927-01-CHT
 SEAL
 91255-02-000 (A/R)

VIEW A

VIEW B

FIRST USED	06 331CT	
TITLE	DO NOT SCALE DRAWING	
	DRAINAGE SYSTEM INSTL	
SHEET 2	PART NO 152341	REV



VIEW C

- CRADLE ASM
141451-01-CHT
BOLT
65115-03-000 (4)
NUT
D39-05-00B (4)
WASHER
E13-16-00B (4)

- HANGER-STRAP
140220-04-CHT (2)
BOLT
C18-05-40A (2)
NUT
D39-005-00B (2)

- CABLE - VALVE, REMOTE
62421-05-000

- HOLDER-RING
141443-02-CHT (2)
BOLT
C12-05-16B (2)
NUT
D12-05-00B (2)
NUT
D39-05-00B (3)
BOLT
C18-05-40A (3)

- PAD-HEATER, ELBOW
133972-03-000

- CRADLE ASM
137609-02-CHT
BOLT
C18-05-40A (4)
NUT
D39-05-00B (4)
WASHER
E13-16-00B (4)

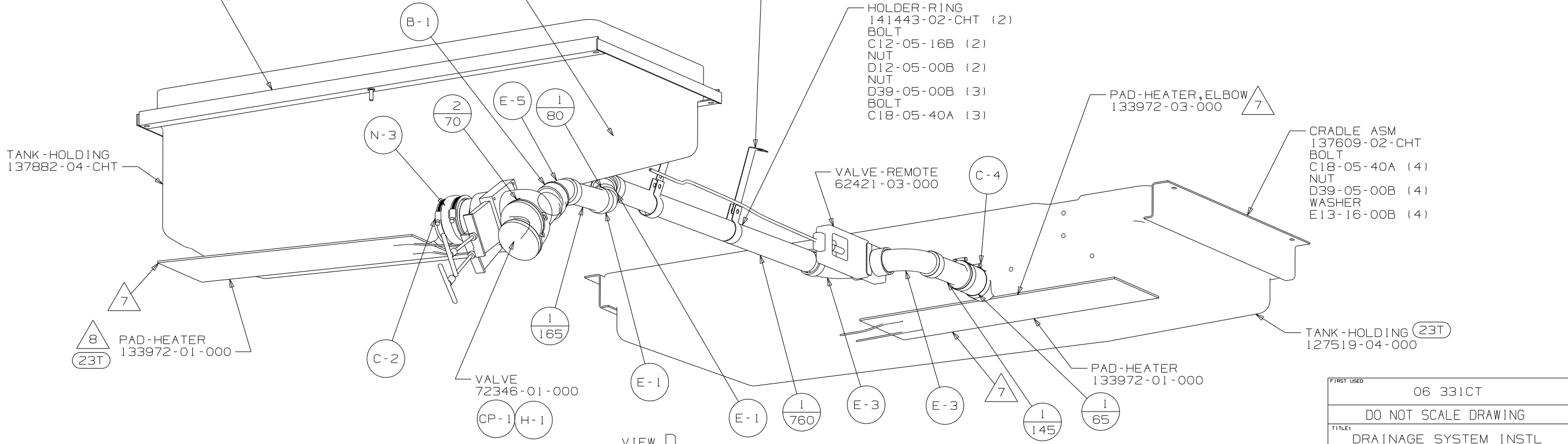
- TANK - HOLDING
137882-04-CHT

- TANK - HOLDING (23T)
127519-04-000

- PAD-HEATER
133972-01-000

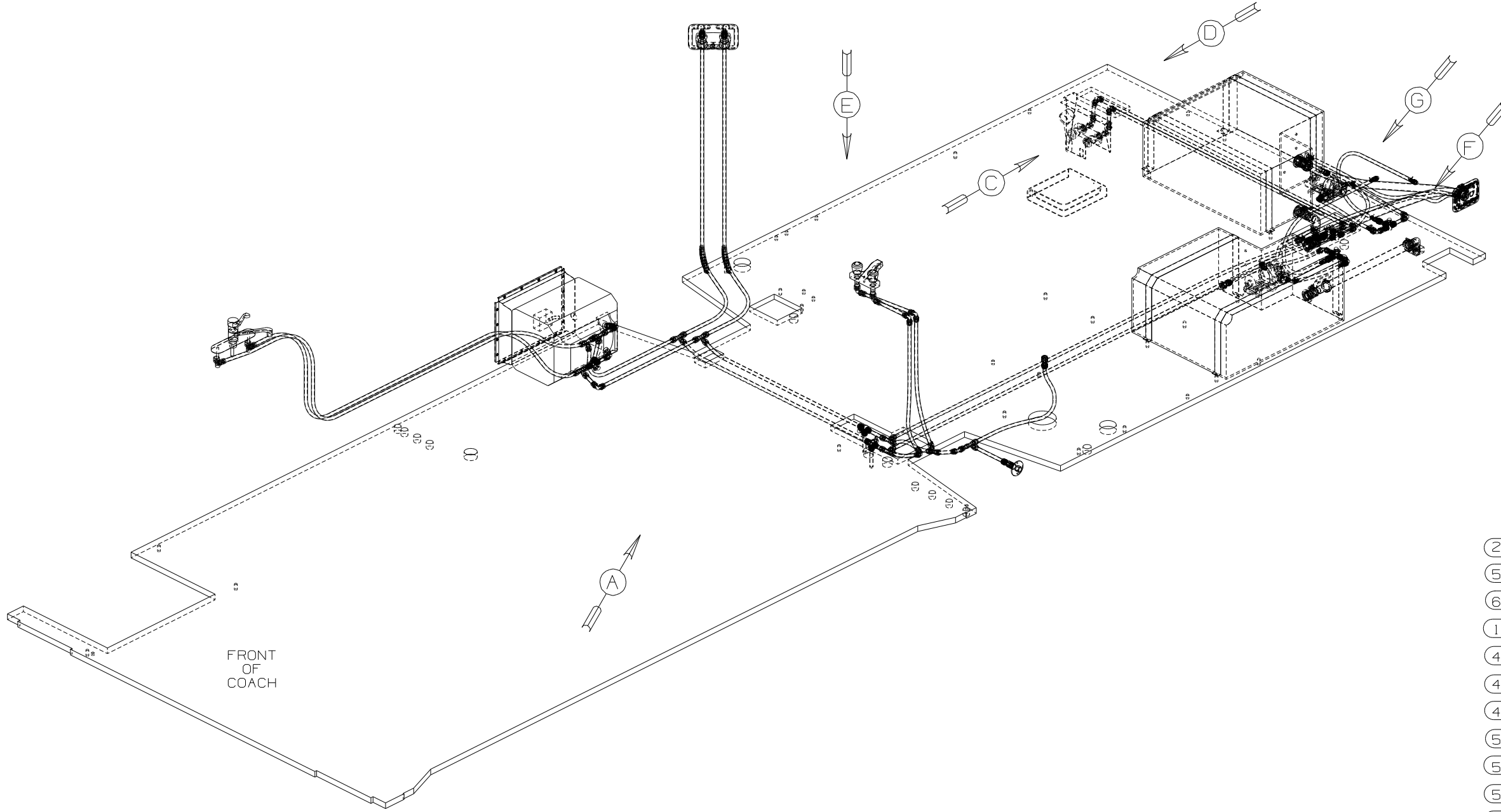
- PAD-HEATER
133972-01-000

- VALVE
72346-01-000



VIEW D

FIRST USED	06 331CT	
TITLE	DO NOT SCALE DRAWING	
	DRAINAGE SYSTEM INSTL	
SHEET 3	PART NO	152341
	REV	

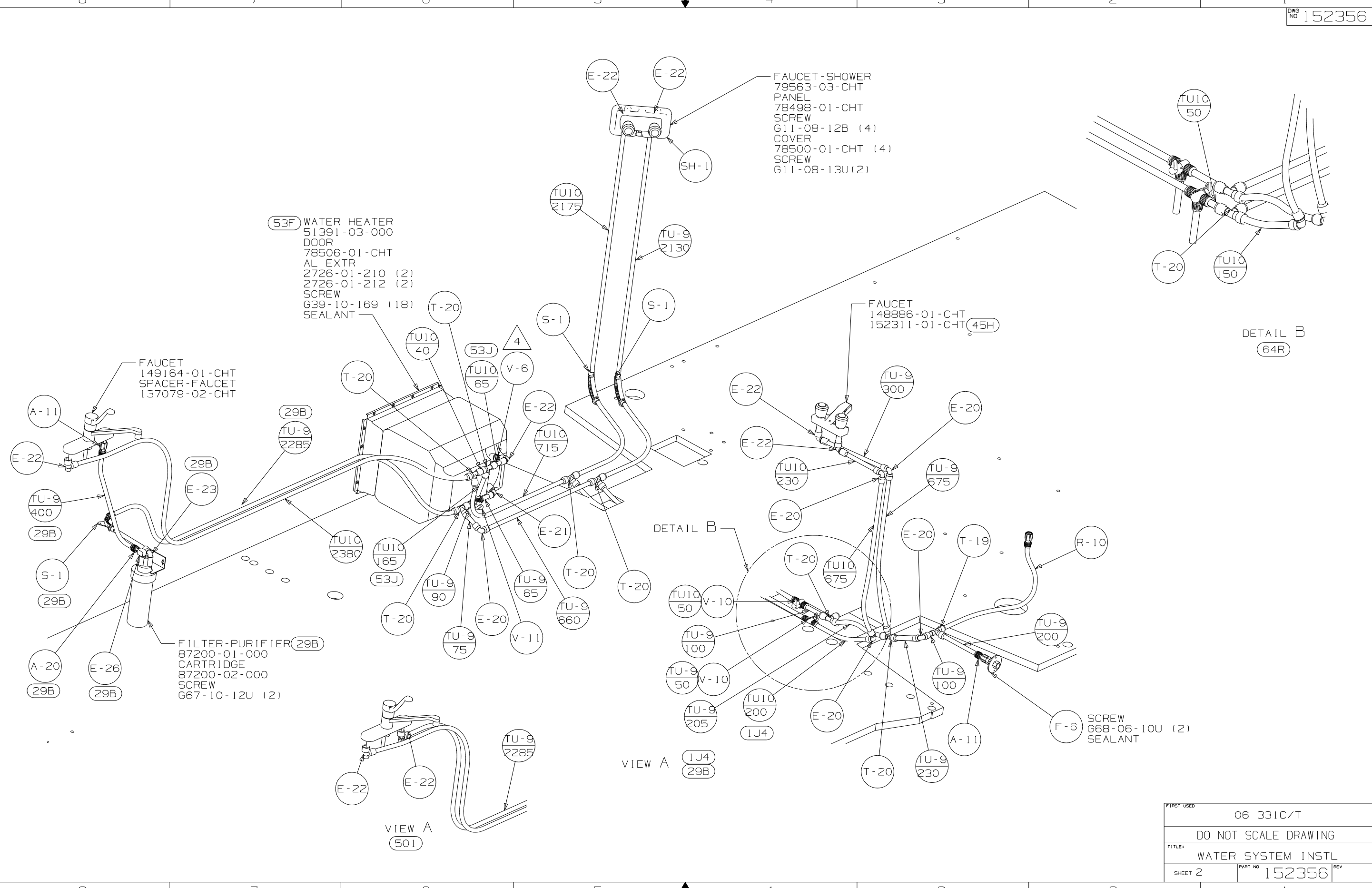


- (29B) WATER PURIFIER
- (501) WATER PURIFIER-W/O
- (64R) EXTERIOR WASH STATION
- (1J4) EXT WASH STATION-WITHOUT
- (44X) BED-QUEEN SIDEWALL
- (45G) BED-TWINS
- (49X) BED-QUEEN-BACKWALL
- (53P) WINTERIZING VALVE, MANUAL
- (53J) WATER HEATER BY-PASS-VALVE
- (53F) WTR HTR-6 GAL ELEC IGN
- (45H) DELUXE FEATURE PACKAGE

- NOTES:
- 7 ADD PIPE WRAP (LADDER SCRAP 110157-02) INSULATION HERE.
 - 6 ANTI-RATTLE CLAMP 10495-01-000, SCREW G67-10-12B.
 - 5 ADD TEFLON TAPE 10405-01-000 TO FITTING.
 - 4 ADD TEFLON TAPE 10405-02-000 TO FITTING.
3. ALL TUBING TO BE SECURED AT 1200 INTERVALS MAXIMUM WITH CLAMP 10495-01-000 AND SCREW G67-10-12B OR EQUIVALENT.
 2. TUBING TO BE INSTALLED WITH SUFFICIENT SLOPE TO PROVIDE DRAINAGE TO NEAREST VALVE.
 1. PLASTIC FITTINGS TO BE SEALED WITH SEALANT 94456-01-000.

WINNEBAGO		COPYRIGHT 2006 WINNEBAGO INDUSTRIES, INC.	
DFTR	ORIG. DATE	ALL DIMENSIONS ARE IN MILLIMETERS	
CHKR		FIRST USED	
P.E.		06 331C/T	
M.E.		UNSPECIFIED TOLERANCES ARE:	
DSNR		MATERIAL:	
		WHOLE DIM (X)	: 3
		ONE-PLACE (X.X)	:
		TWO-PLACE (X.XX)	:
		ANGLE	:
THIRD ANGLE PROJECTION		DO NOT SCALE DRAWING	
TITLE: WATER SYSTEM INSTL			
SHEET 1 OF 5	PART NO	152356	REV
REF:	1 6/13/2006		

(X-X)
FOR
WATER
CALLOUTS
SEE DWG NO
116230-01-000



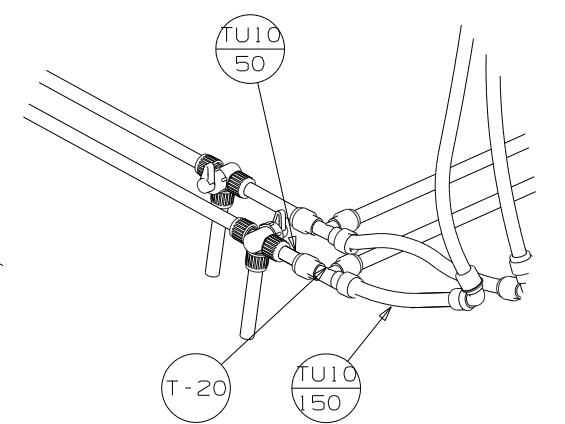
53F WATER HEATER
 51391-03-000
 DOOR
 78506-01-CHT
 AL EXTR
 2726-01-210 (2)
 2726-01-212 (2)
 SCREW
 639-10-169 (18)
 SEALANT

FAUCET
 149164-01-CHT
 SPACER-FAUCET
 137079-02-CHT

FILTER-PURIFIER (29B)
 87200-01-000
 CARTRIDGE
 87200-02-000
 SCREW
 667-10-12U (2)

FAUCET-SHOWER
 79563-03-CHT
 PANEL
 78498-01-CHT
 SCREW
 611-08-12B (4)
 COVER
 78500-01-CHT (4)
 SCREW
 611-08-13U (2)

FAUCET
 148886-01-CHT
 152311-01-CHT (45H)

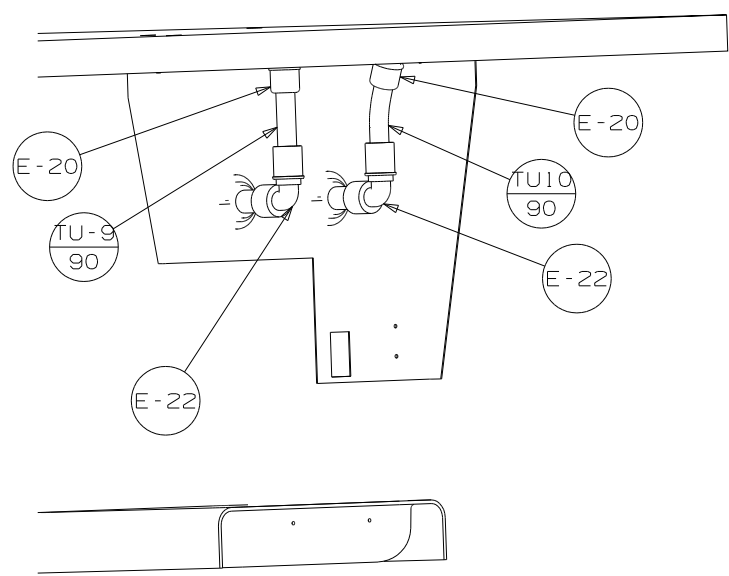


DETAIL B
 64R

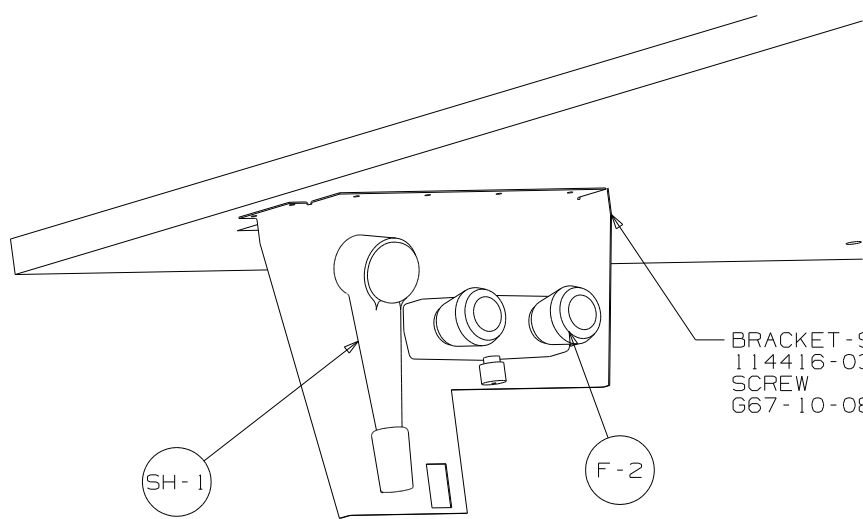
DETAIL B

VIEW A
 501

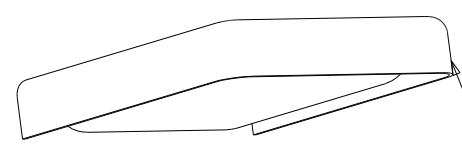
FIRST USED	06 331C/T	
TITLE	DO NOT SCALE DRAWING	
TITLE	WATER SYSTEM INSTL	
SHEET 2	PART NO	152356
	REV	1 6/13/2006



VIEW D
64R

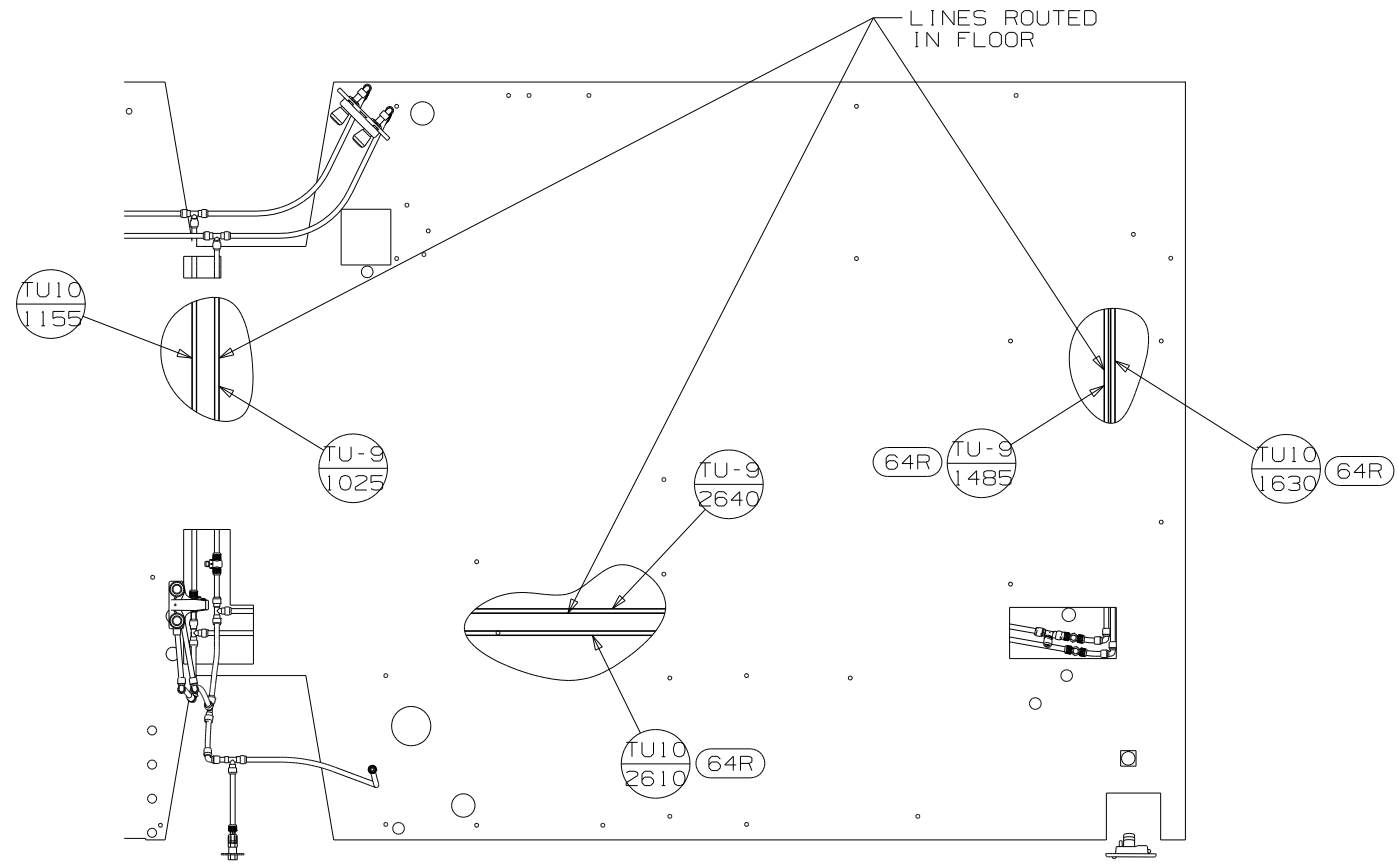


BRACKET-SUPPORT, FAUCET
114416-03-CHT
SCREW
G67-10-08T (6)



VIEW C
64R

PAN-DRIP, EXTERIOR SHOWER
114293-01-CHT
SCREW
G67-10-08U (2)



LINES ROUTED IN FLOOR

VIEW E

FIRST USED	06 331C/T
TITLE	DO NOT SCALE DRAWING
SHEET 3	PART NO 152356
	REV

TANK ASM-WATER,31 GAL
64214-24-000
STRAP-TANK,WATER
118994-03-CHT
118994-04-CHT
BOLT
C18-05-40A (4)
NUT
D39-05-00B (4)
WASHER
E13-16-00B (4)

VALVE
132483-01-000

TUBING
74462-01-000
650

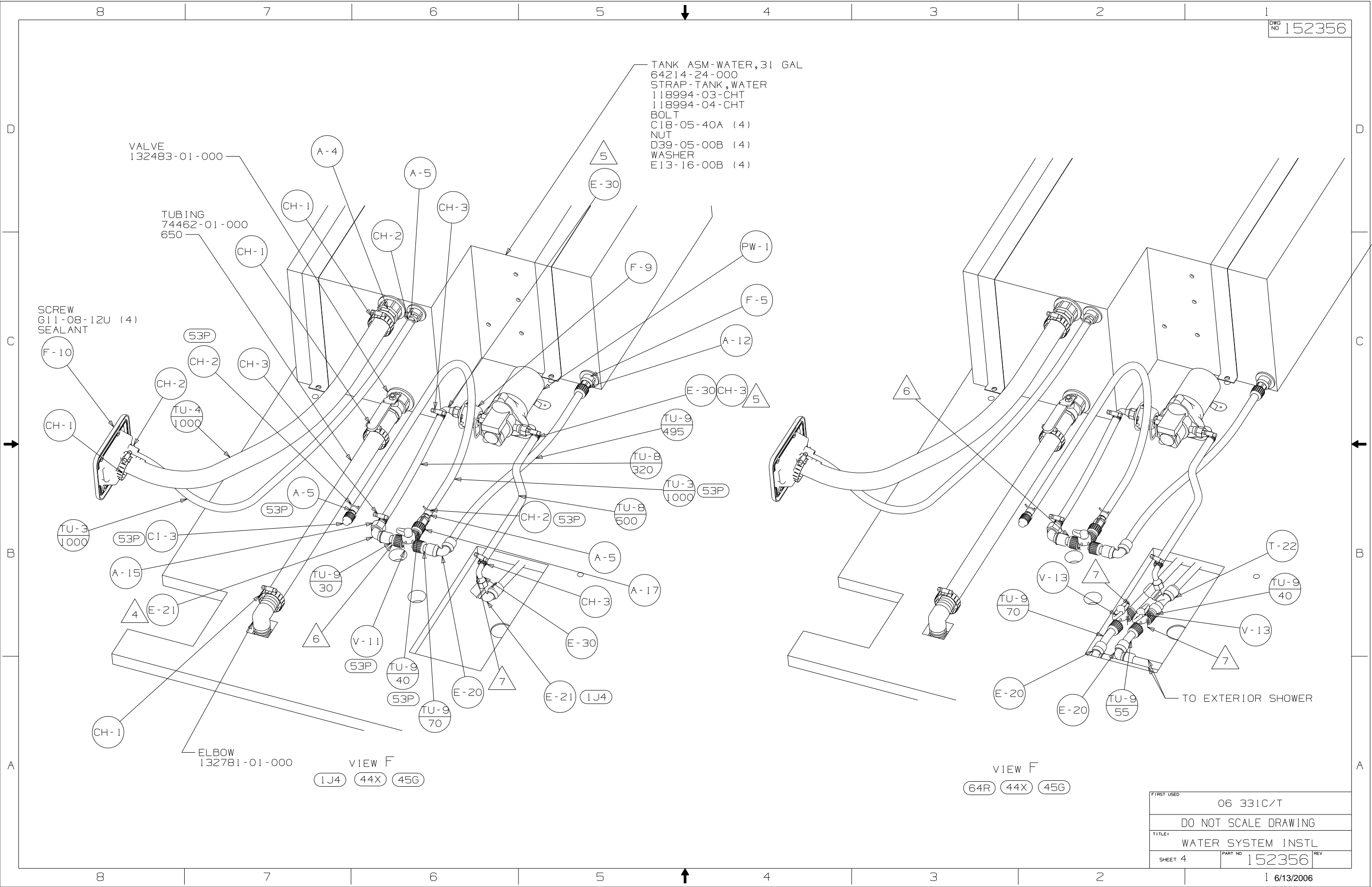
SCREW
G11-08-12U (4)
SEALANT

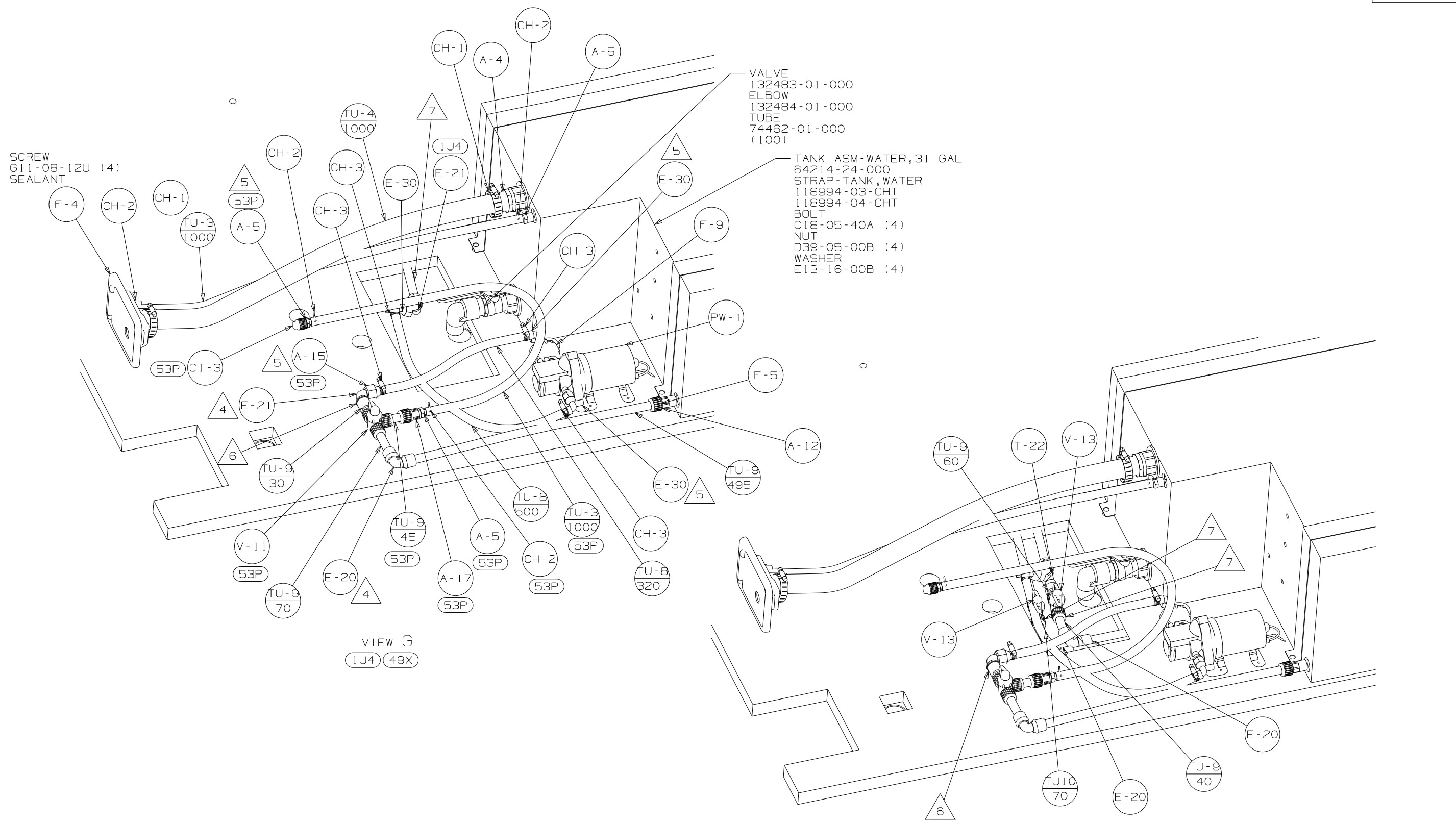
ELBOW
132781-01-000

VIEW F
1J4 44X 45G

VIEW F
64R 44X 45G

FIRST USED	06 331C/T
TITLE	DO NOT SCALE DRAWING
TITLE	WATER SYSTEM INSTL
SHEET 4	PART NO 152356 REV
I 6/13/2006	





FIRST USED	06 331C/T	
TITLE	DO NOT SCALE DRAWING	
TITLE	WATER SYSTEM INSTL	
SHEET 5	PART NO	152356
REV		