

- NOTES:
- 9. SEE WIRING INSTL-BODY, 12V FOR ELECTRICAL CONNECTION.
  - 8. SECURE PIPES TO CABINET USING WIRE TIE 108046-02-000 AND SCREW G67-10-12B.
  - 7. SECURE VENT TO FLOOR WITH BRACKET 136878-01-CHT CLAMP 62401-02-000, SCREW G67-10-12B.
  - 6. VENT PIPE MUST PROJECT 51 MIN AND 64 MAX ABOVE ROOF FOR PROPER FIT AND FUNCTION.
  - 5. SEAL AROUND SHOWER WITH SILICONE.
  - 4. ALL EXTERIOR OPENINGS AROUND PIPE TO BE SEALED WITH 110744-01-000.
  - 3. ALL PIPE AND FITTINGS TO BE ASSEMBLED WITH SOLVENT 4020-01-000.
  - 2. SLOPE OF TRAP ARM MUST BE 6 PER 305 mm.
  - 1. SLOPE OF HORIZONTAL PIPING TO BE MIN 6 PER 305 mm.

644 GREAT ALASKAN RENTAL PACKAGE

<b>WINNEBAGO</b>		COPYRIGHT 2007 WINNEBAGO INDUSTRIES, INC.	
DFT	ORIG. DATE	ALL DIMENSIONS ARE IN MILLIMETERS	
CHKR		FIRST USED	
P.E.		06 329K	
M.E.		UNSPECIFIED TOLERANCES ARE:	
DSNR		MATERIAL:	
		WHOLE DIM (X)	: 3
		ONE-PLACE (X.X)	:
		TWO-PLACE (X.XX)	:
		ANGLE	:
		THIRD ANGLE PROJECTION	
DO NOT SCALE DRAWING			
TITLE: DRAINAGE SYSTEM INSTL			
SHEET 1 OF 3	PART NO	155530	REV

FOR  
DRAINAGE  
CALLOUTS  
SEE DWG NO  
116229-01-000

8

7

6

5

4

3

2

1

D

D

C

C

B

B

A

A

8

7

6

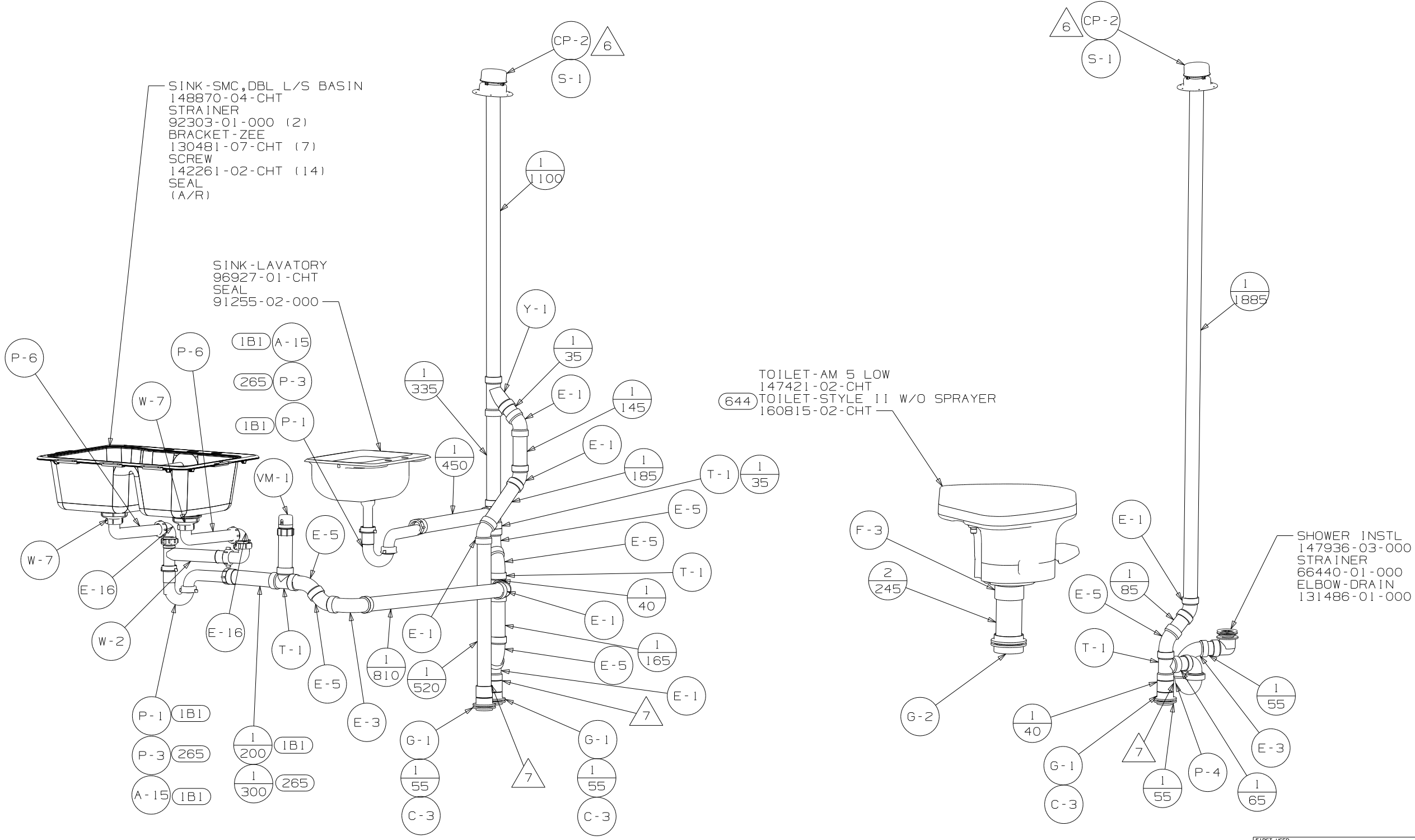
5

4

3

2

1



VIEW A

VIEW B

FIRST USED	06 329K	
DO NOT SCALE DRAWING		
TITLE	DRAINAGE SYSTEM INSTL	
SHEET 2	PART NO	REV
	155530	

CRADLE ASM  
139596-01-CHT  
BOLT  
C18-05-40A (4)  
NUT  
D13-05-00B (4)

CRADLE ASM  
139597-01-CHT  
BOLT  
C18-05-40A (4)  
NUT  
D13-05-00B (4)

FRONT AXLE  
COACH

1222

1498

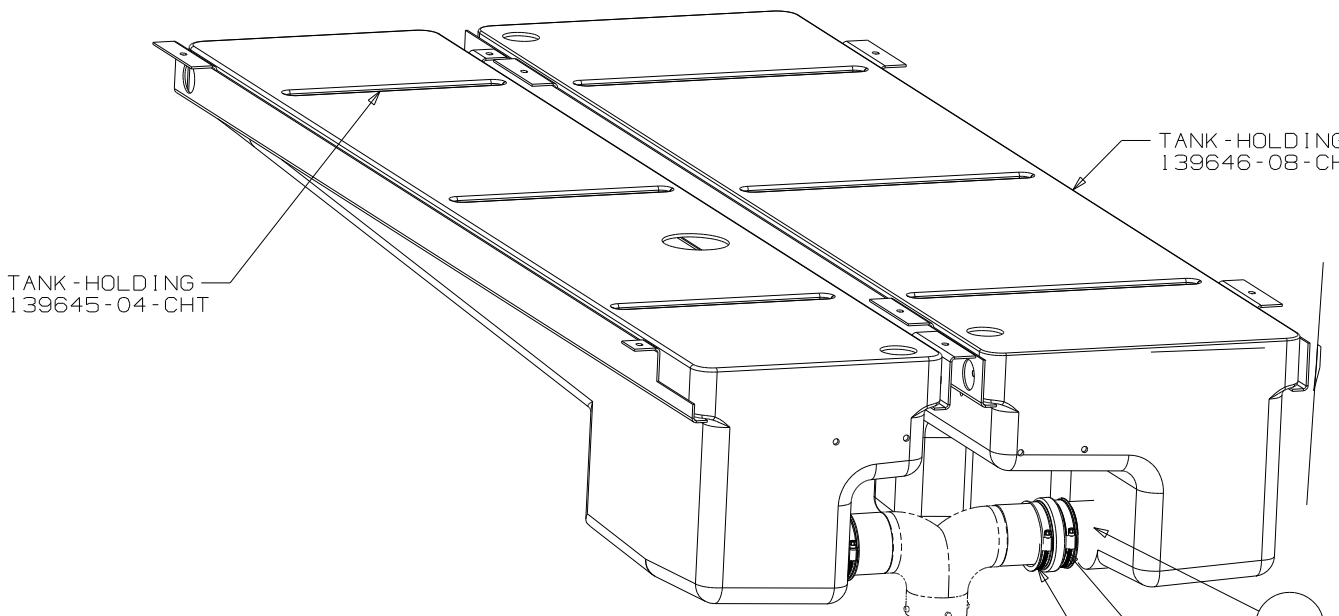
DATUM

20

3946

4399

VIEW D



TANK-HOLDING  
139645-04-CHT

TANK-HOLDING  
139646-08-CHT

PAD-HEATER  
133972-04-CHT

PAD-HEATER  
133972-04-CHT

N-3  
C-2  
2/55

C-2

2/55

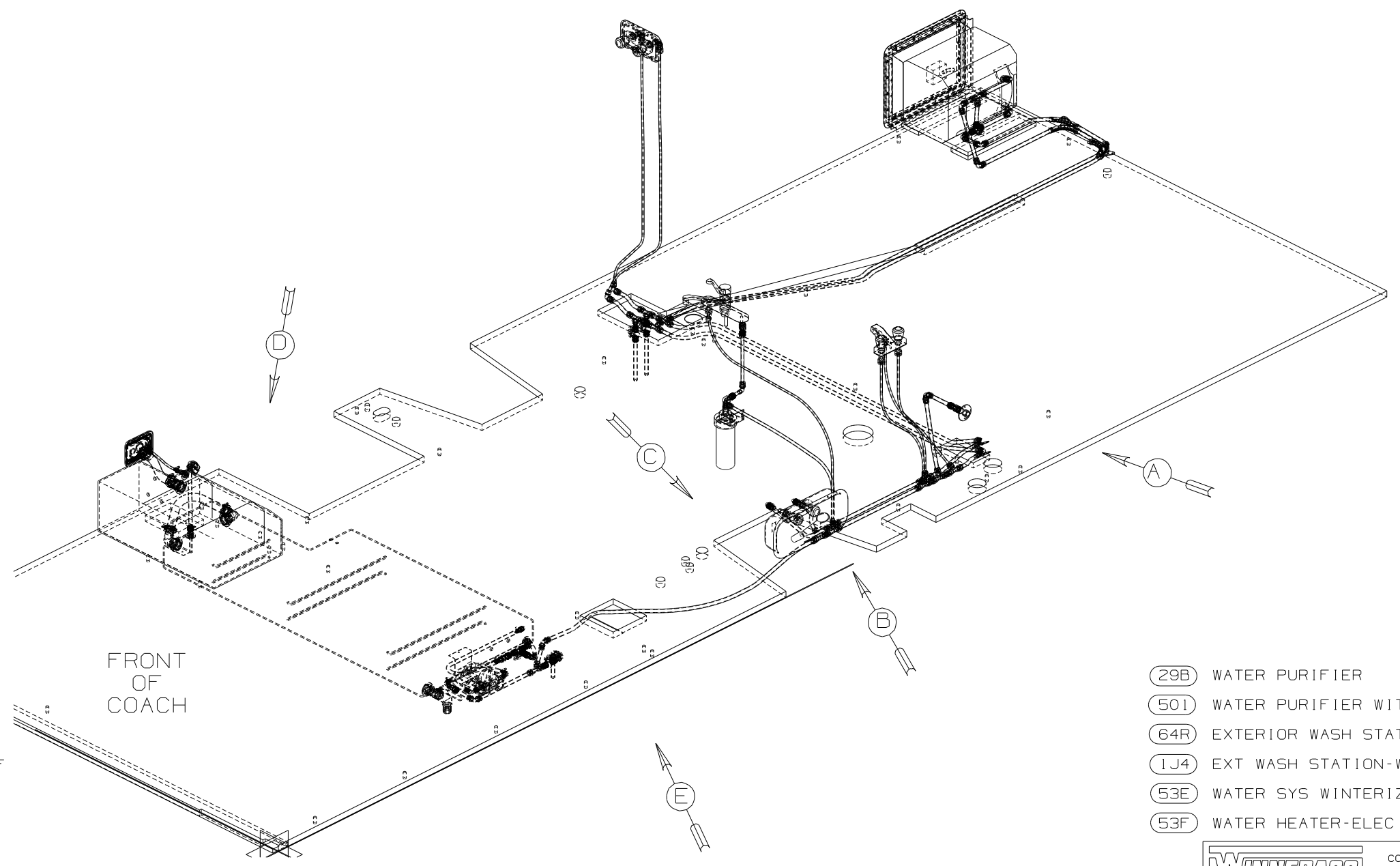
VIEW E

V-11  
H-1  
E  
N-3  
C-2  
2/55  
2/55

VIEW C

FIRST USED	06 329K
TITLE	DO NOT SCALE DRAWING
	DRAINAGE SYSTEM INSTL
SHEET 3	PART NO 155530 REV
	1 2/7/2007

8 7 6 5 4 3 2



- 11 LABEL THE HOT AND COLD SUPPLY TUBES.
- 10 TAPE FITTING TO TUBE BEFORE CABINET SET TO PREVENT FITTING FROM MOVING.
- 9 THE BOLTS ON THE FRONT SIDE OF THE WATER TANK ARE TO BE INSTALLED WITH THE HEAD OF THE BOLT ON THE TOP SIDE OF THE FLOOR.
- 8 ATTACH WASHER-PLASTIC 87080-13-CHT WITH TAPE-DOUBLE 123816-03-000 ON BOTTOM SIDE OF LOWER FLOOR.
- 7 ATTACH WASHER-PLASTIC 87080-11-CHT WITH TAPE-DOUBLE 123816-03-000 ON BOTTOM SIDE OF COMPARTMENT.
- 6 ADD TEFLON TAPE 10405-01-000 TO FITTING.
- 5 ADD TEFLON TAPE 10405-03-000 TO FITTING.
- 4 ADD TEFLON TAPE 10405-02-000 TO FITTING.

- 3. ALL TUBING TO BE SECURED AT 1200 INTERVALS MAXIMUM WITH CLAMP 10495-01-000 OR CLIP 9151-01-000 AND SCREW G67-10-12B.
- 2. TUBING TO BE INSTALLED WITH SUFFICIENT SLOPE TO PROVIDE DRAINAGE TO NEAREST VALVE.
- 1. PLASTIC FITTINGS TO BE SEALED WITH SEALANT 84456-01-000.

NOTES:

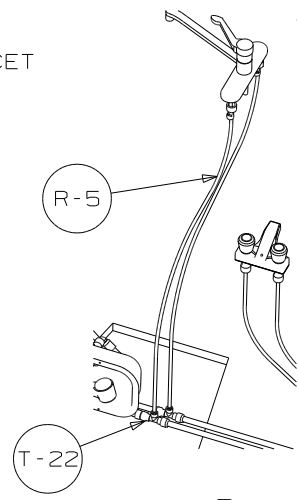
- 29B WATER PURIFIER
- 501 WATER PURIFIER WITHOUT
- 64R EXTERIOR WASH STATION
- 1J4 EXT WASH STATION-WITHOUT
- 53E WATER SYS WINTERIZATION PKG
- 53F WATER HEATER-ELEC IGNITION

<b>WINNEBAGO</b>		COPYRIGHT 2006 WINNEBAGO INDUSTRIES, INC.	
DFTR	ORIG. DATE	ALL DIMENSIONS ARE IN MILLIMETERS	
CHKR		FIRST USED	
P.E.		06 329K	
M.E.		UNSPECIFIED TOLERANCES ARE:	
DSNR		MATERIAL:	
		WHOLE DIM (X)	: 7
		ONE-PLACE (X.X)	:
		TWO-PLACE (X.XX)	:
		ANGLE	:
THIRD ANGLE PROJECTION		DO NOT SCALE DRAWING	
TITLE: WATER SYSTEM INSTL			
SHEET 1 OF 3	PART NO	155536	REV
REF:	1 6/13/2006		

(X-X)  
FOR  
WATER  
CALLOUTS  
SEE DWG NO  
116230-01-000

8 7 6 5 4 3 2

- WATER HEATER 51391-03-000 (53F)
- DOOR 78506-01-CHT
- AL EXTR 151293-51-003 (2)
- 151293-51-002 (2)
- SCREW 611-08-12U (4)
- 639-10-169 (18)
- SEALANT 69640-14-000
- 112864-01-000
- FLANGE-WATER HEATER 152239-01-CHT
- PLATFORM ASM-WATER HEATER CABLE 76767-03-000
- SCREW 611-06-08B (2)
- 143705-01-000



SH-1 SCREW 611-08-16U (2)

PANEL-SHOWER FAUCET 78498-01-CHT  
COVER 78500-01-CHT (4)  
SCREW 611-08-12U (4)

FAUCET-GALLEY 149164-01-CHT  
SPACER-FAUCET 137079-02-CHT

FAUCET 148886-01-CHT  
152311-01-CHT (45H)  
GASKET 91253-01-000

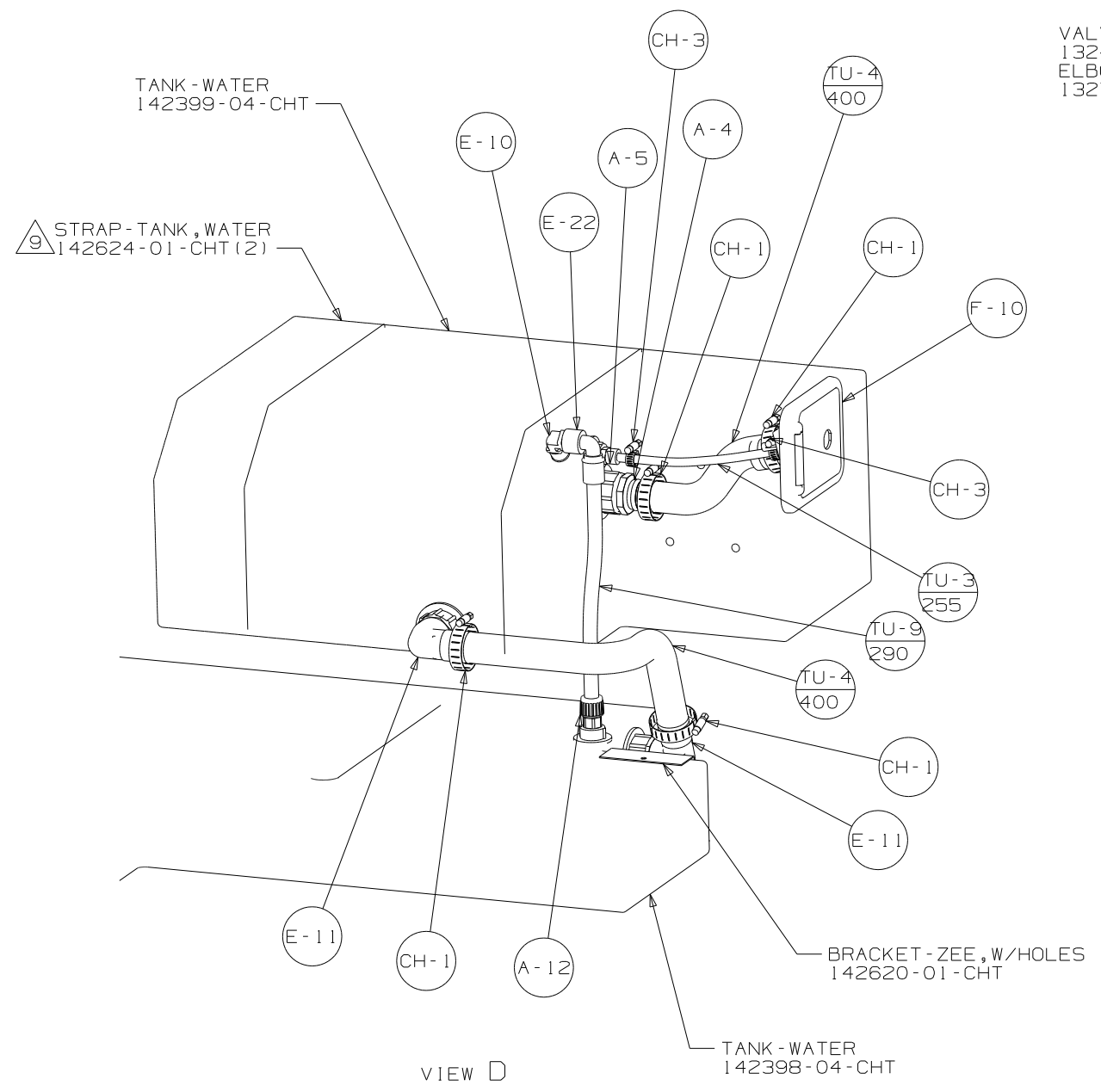
(29B) FILTER 87200-01-000  
CARTRIDGE 87200-02-000  
SCREW 667-10-12U (2)

EXTR 113140-51-003 (4)

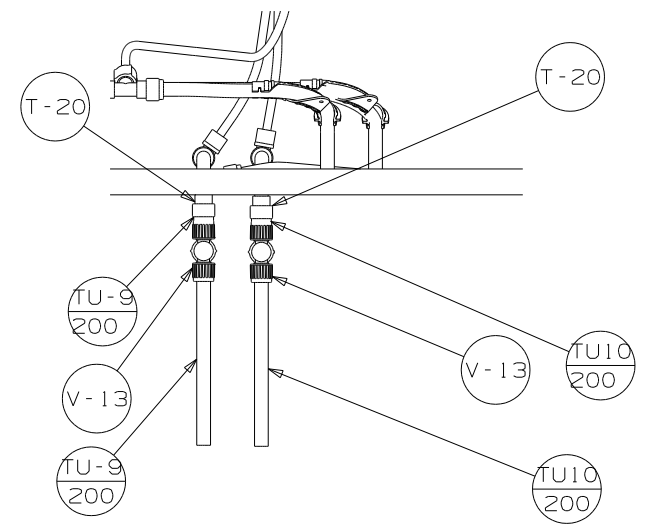
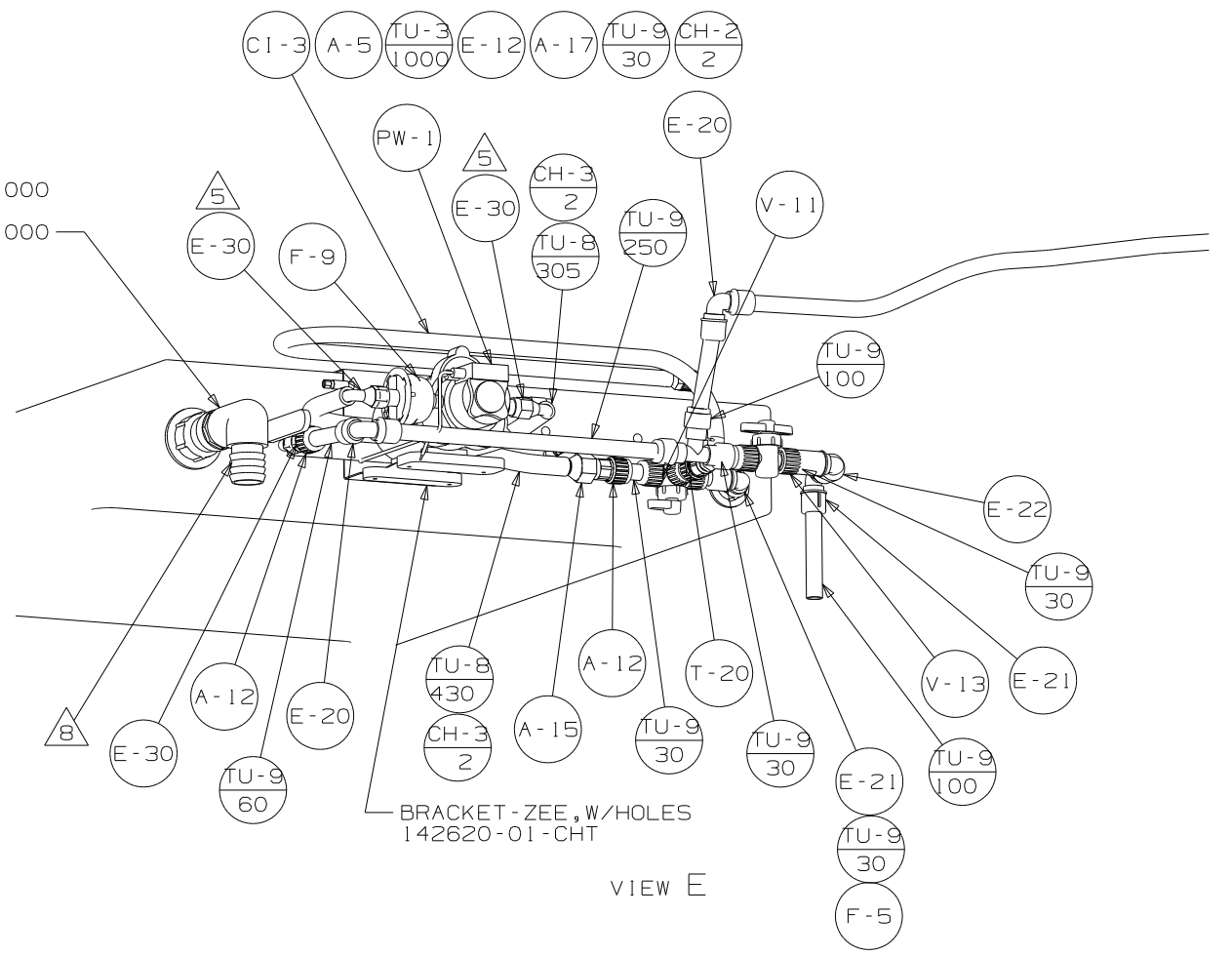
VIEW A

VIEW C

FIRST USED	06 329K		
TITLE	DO NOT SCALE DRAWING		
	WATER SYSTEM INSTL		
SHEET 2	PART NO	155536	REV



VALVE  
132483-01-000  
ELBOW  
132782-01-000



FIRST USED	06 329K
DO NOT SCALE DRAWING	
TITLE:	WATER SYSTEM INSTL
SHEET 3	PART NO 155536 REV