



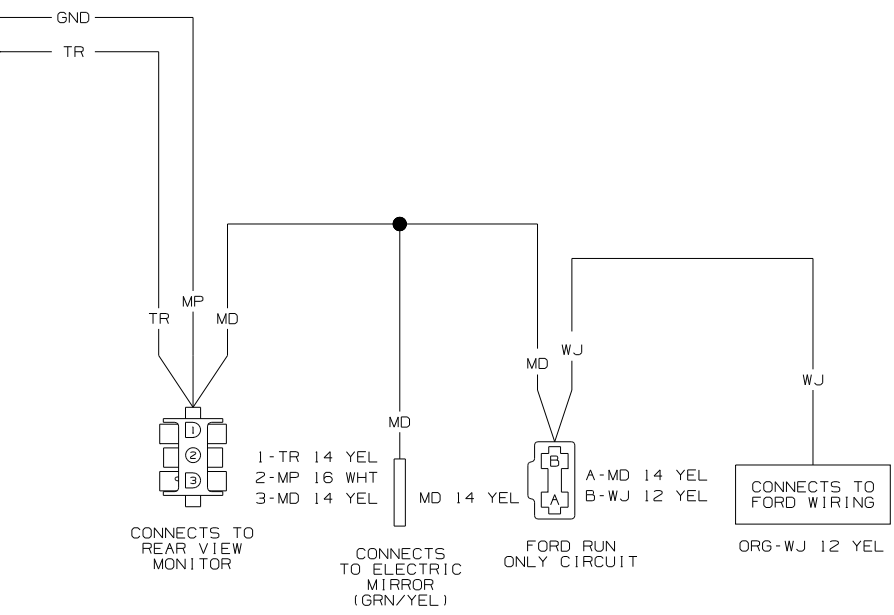
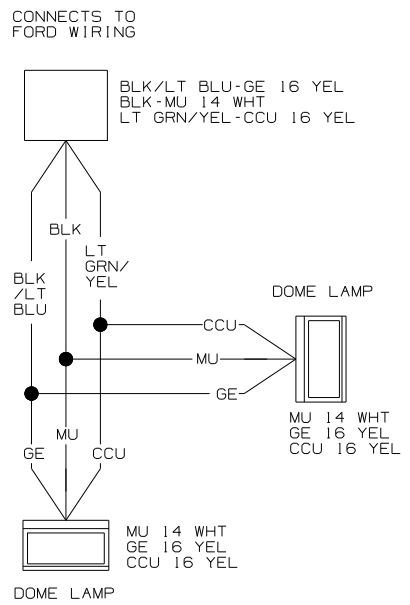
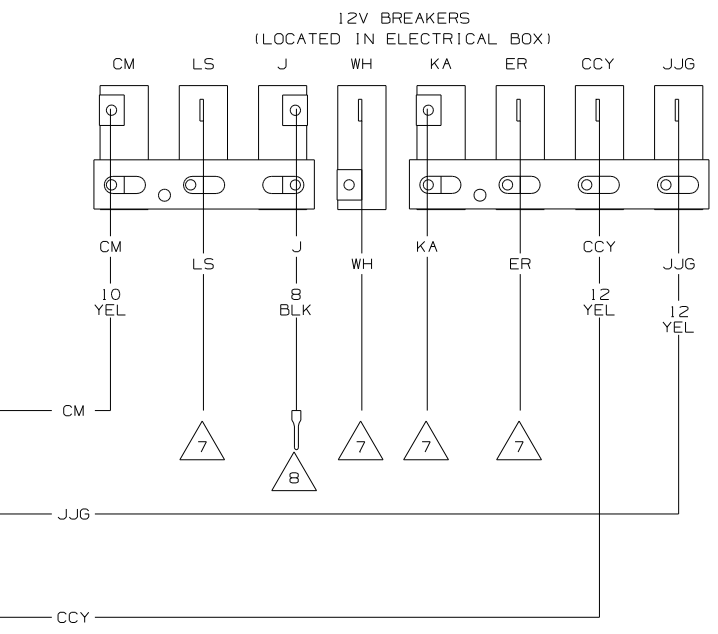
DANGER

Danger of electrical shock, burns or death. Always remove all power sources before attempting any repair, service or diagnostic work. Power can be present from shore power, generator, inverter or battery. All power sources must be disabled and secured before performing any service.

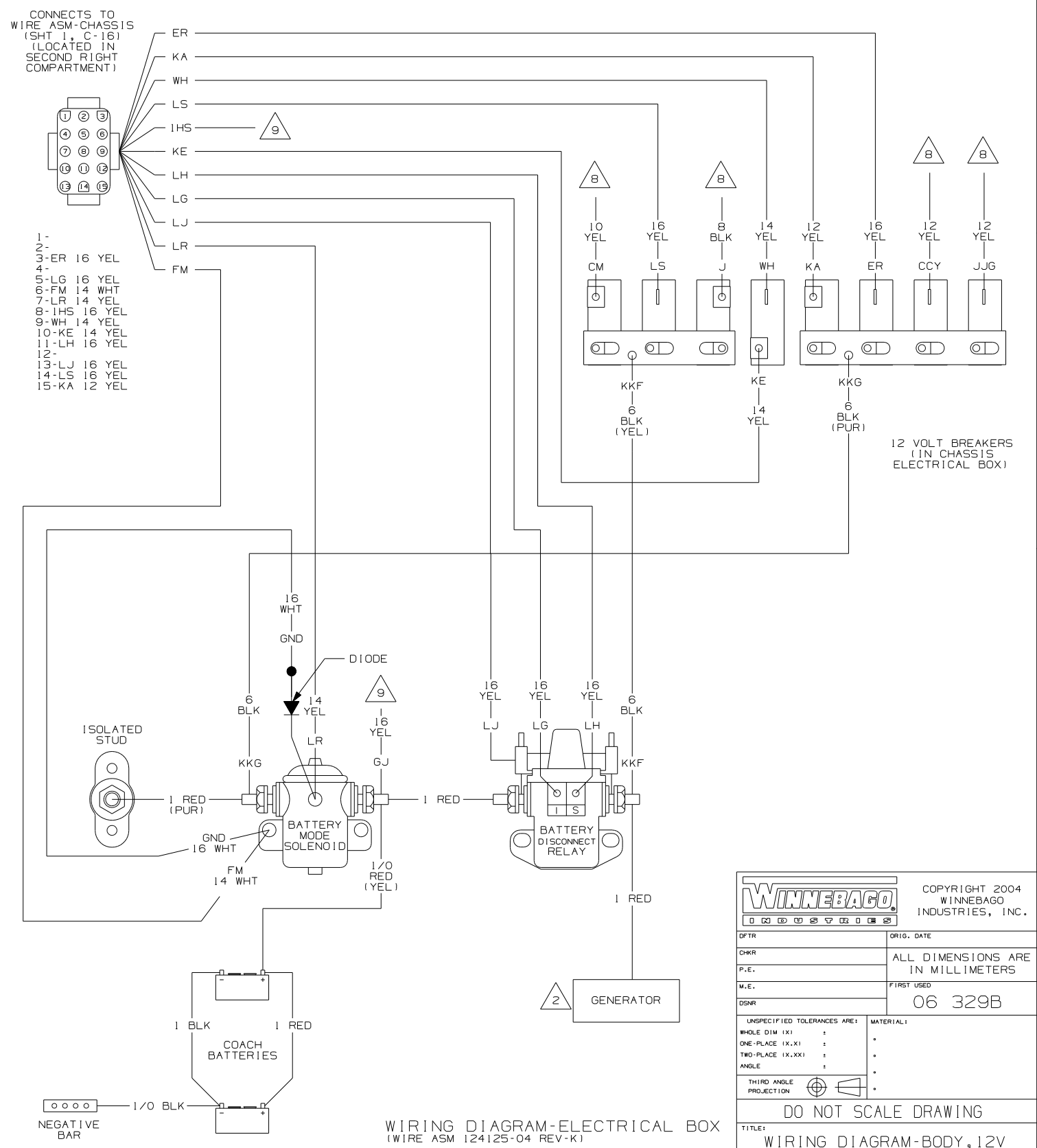


CAUTION

If you lack the skills, tools or equipment to perform diagnostic or repair work leave such work to an authorized Winnebago Industries dealer or other qualified shop.

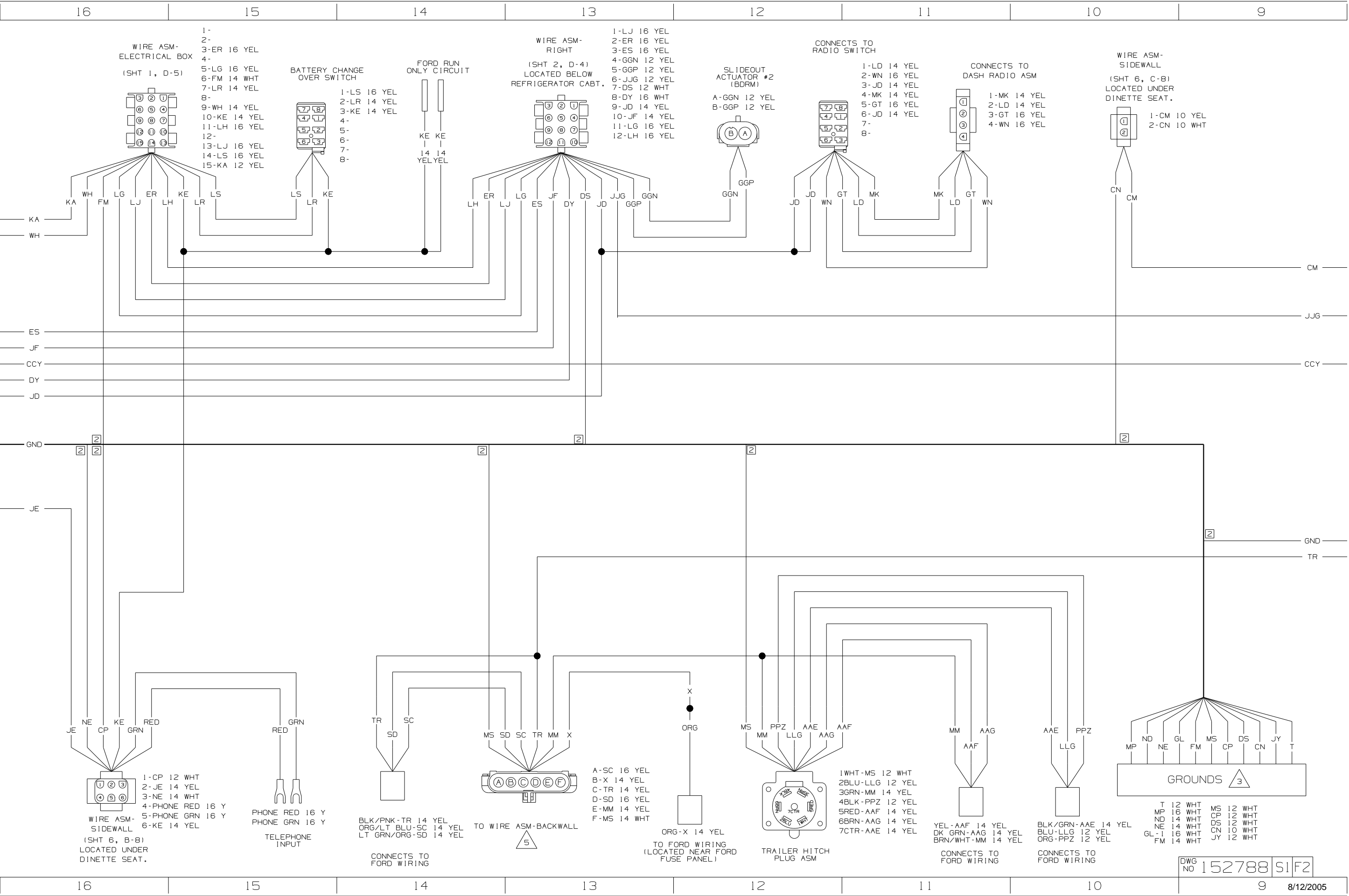


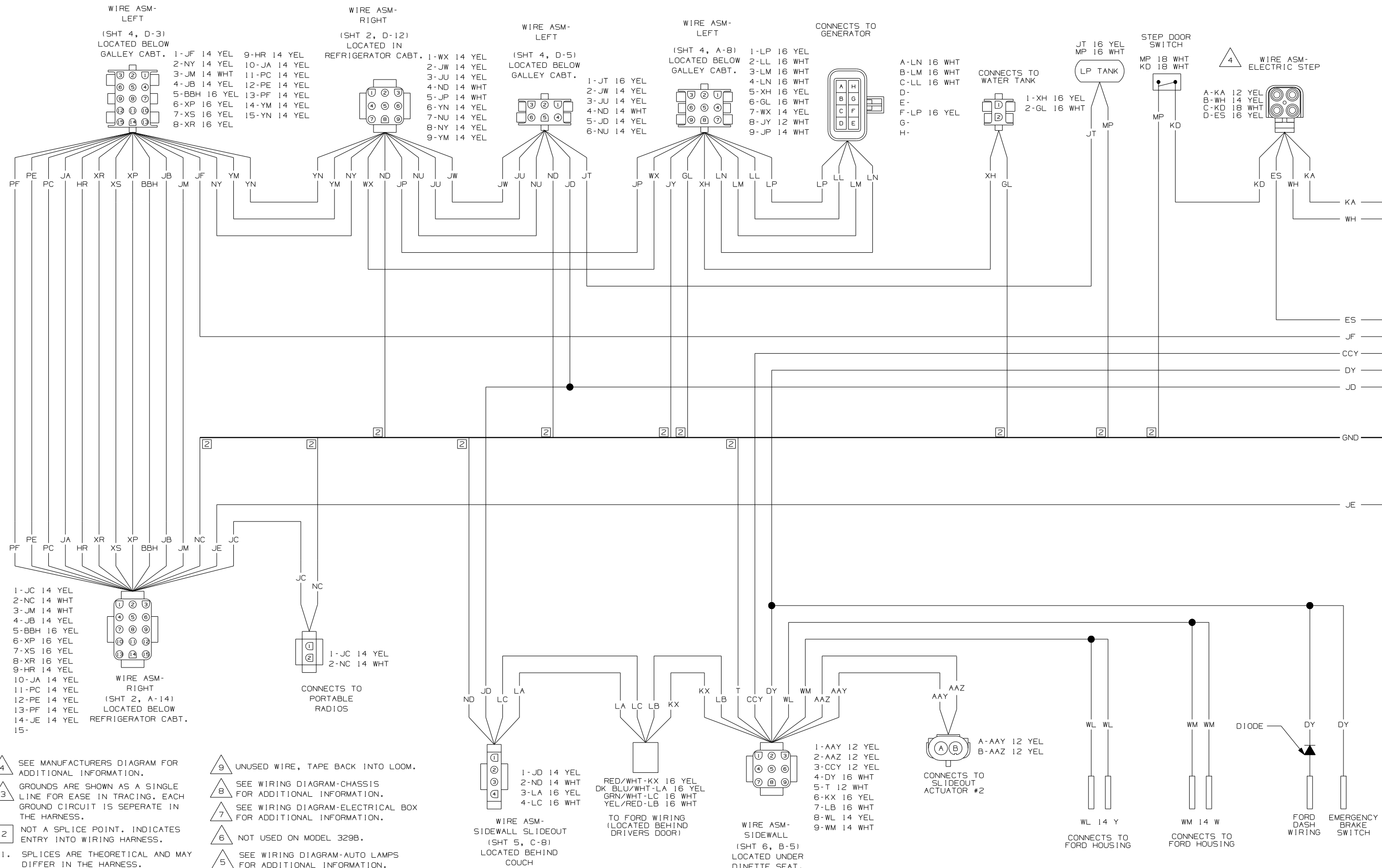
WIRING DIAGRAM-CHASSIS (WIRE ASM 152748-01 REV-H)



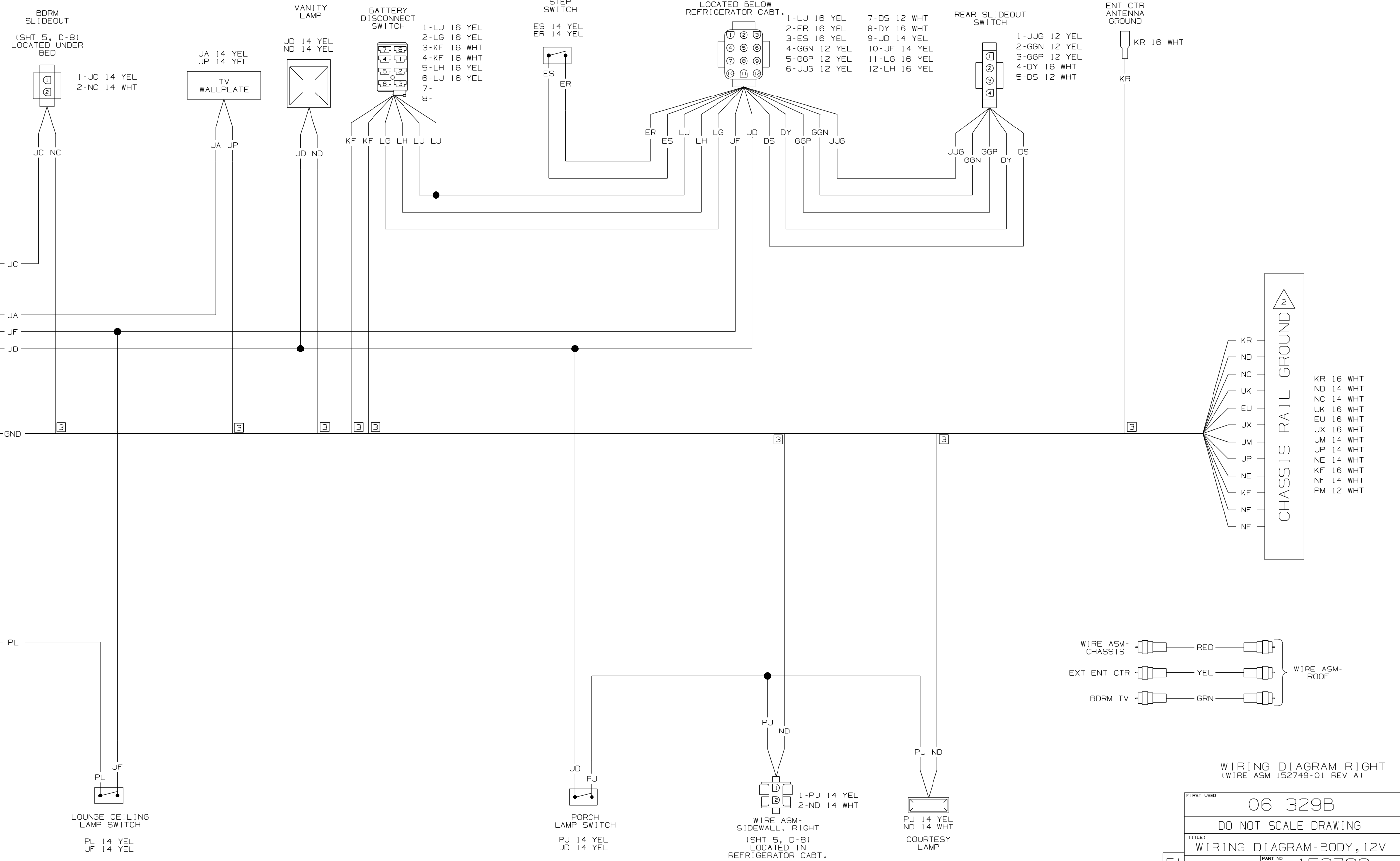
WIRING DIAGRAM-ELECTRICAL BOX (WIRE ASM 124125-04 REV-K)

WINNEBAGO		COPYRIGHT 2004 WINNEBAGO INDUSTRIES, INC.	
DFTR	ORIG. DATE	ALL DIMENSIONS ARE IN MILLIMETERS	
CHRR		FIRST USED	
P.E.		06 329B	
M.E.		UNSPECIFIED TOLERANCES ARE:	
DSNR		MATERIAL:	
		WHOLE DIM (XX)	:
		ONE-PLACE (X.X)	:
		TWO-PLACE (X.XX)	:
		ANGLE	:
		THIRD ANGLE PROJECTION	:
DO NOT SCALE DRAWING			
TITLE: WIRING DIAGRAM-BODY, 12V			
SHEET 1 of 8		PART NO 152788	
REF: 1		8/12/2005	





- 4 SEE MANUFACTURERS DIAGRAM FOR ADDITIONAL INFORMATION.
- 3 GROUNDS ARE SHOWN AS A SINGLE LINE FOR EASE IN TRACING. EACH GROUND CIRCUIT IS SEPERATE IN THE HARNESS.
- 2 NOT A SPLICE POINT. INDICATES ENTRY INTO WIRING HARNESS.
1. SPLICES ARE THEORETICAL AND MAY DIFFER IN THE HARNESS.
- 9 UNUSED WIRE, TAPE BACK INTO LOOM.
- 8 SEE WIRING DIAGRAM-CHASSIS FOR ADDITIONAL INFORMATION.
- 7 SEE WIRING DIAGRAM-ELECTRICAL BOX FOR ADDITIONAL INFORMATION.
- 6 NOT USED ON MODEL 329B.
- 5 SEE WIRING DIAGRAM-AUTO LAMPS FOR ADDITIONAL INFORMATION.



WIRING DIAGRAM RIGHT (WIRE ASM 152749-01 REV A)

FIRST USED	06 329B	
TITLE	DO NOT SCALE DRAWING	
TITLE	WIRING DIAGRAM-BODY, 12V	
SHEET 2	PART NO	152788

16

15

14

13

12

11

10

9

CONTROL CENTER

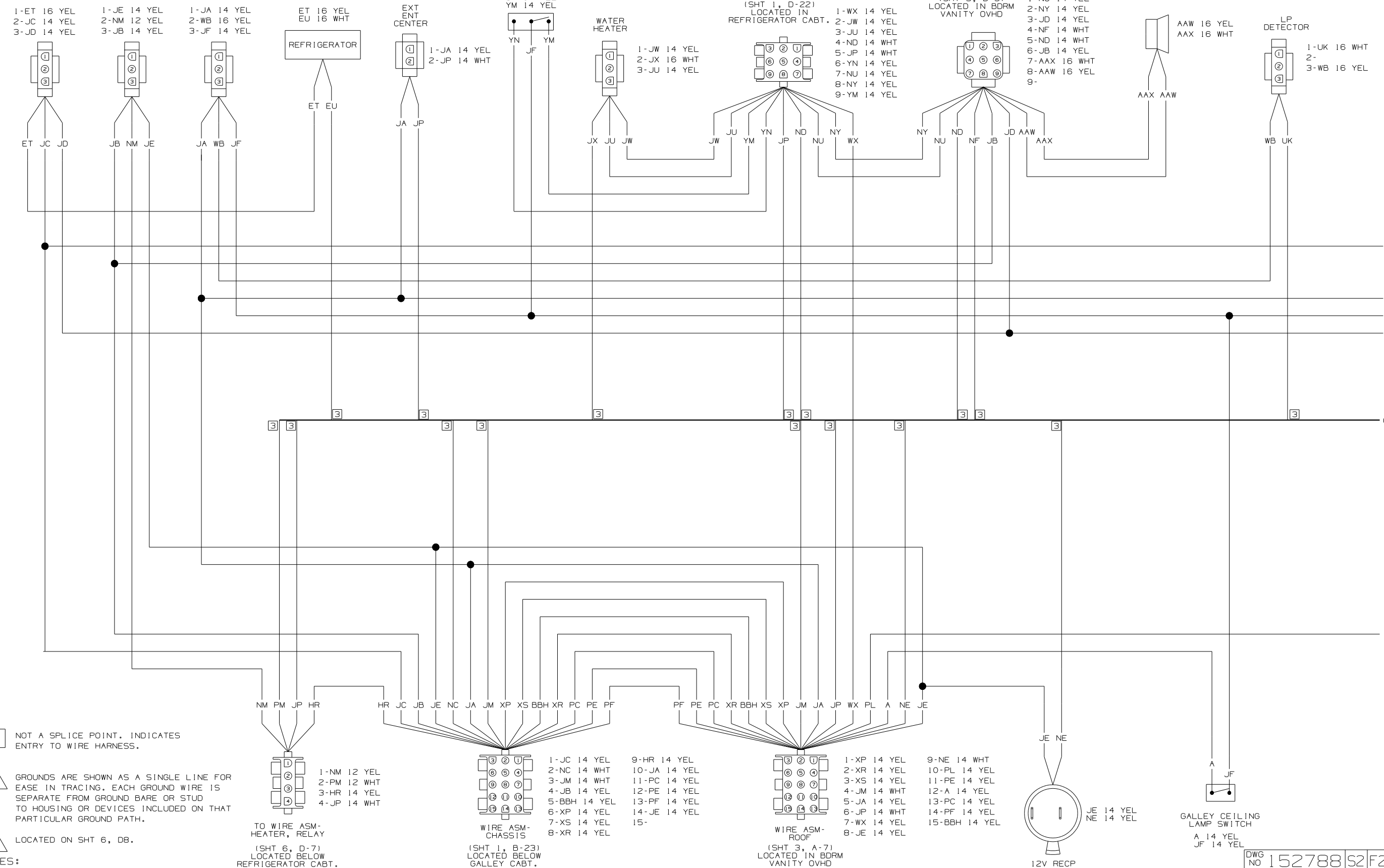
HALL LAMP SWITCH

WIRE ASM-CHASSIS

WIRE ASM-ROOF

SUBWOOFER

LP DETECTOR



3 NOT A SPLICE POINT. INDICATES ENTRY TO WIRE HARNESS.

2 GROUNDS ARE SHOWN AS A SINGLE LINE FOR EASE IN TRACING. EACH GROUND WIRE IS SEPARATE FROM GROUND BARE OR STUD TO HOUSING OR DEVICES INCLUDED ON THAT PARTICULAR GROUND PATH.

1 LOCATED ON SHT 6, DB.

NOTES:

NM PM JP HR
TO WIRE ASM-HEATER, RELAY
(SHT 6, D-7)
LOCATED BELOW REFRIGERATOR CABT.

WIRE ASM-CHASSIS
(SHT 1, B-23)
LOCATED BELOW GALLEY CABT.

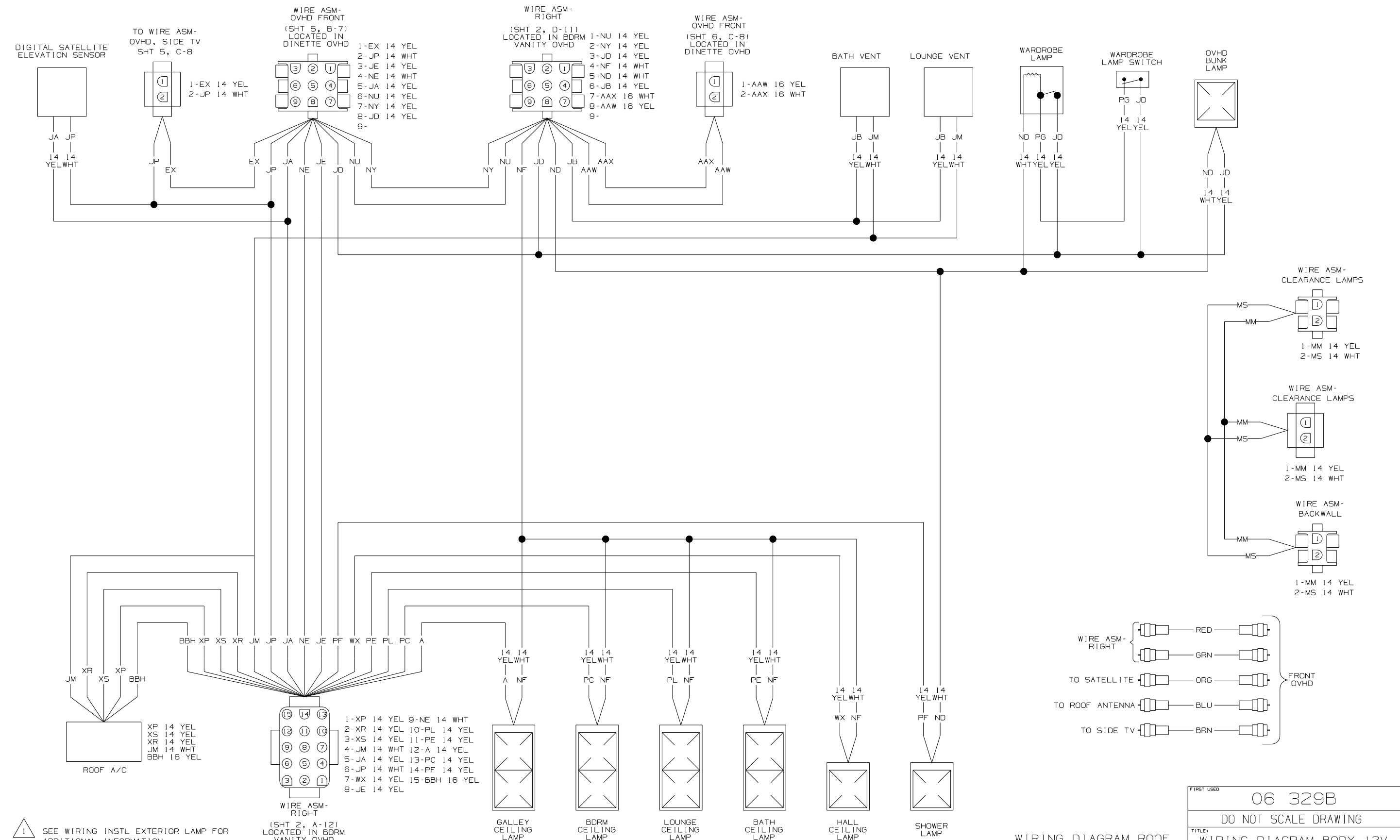
WIRE ASM-ROOF
(SHT 3, A-7)
LOCATED IN BDRM VANITY OVHD

12V RECP

GALLEY CEILING LAMP SWITCH
A 14 YEL
JF 14 YEL

DWG NO 152788 S2 F2

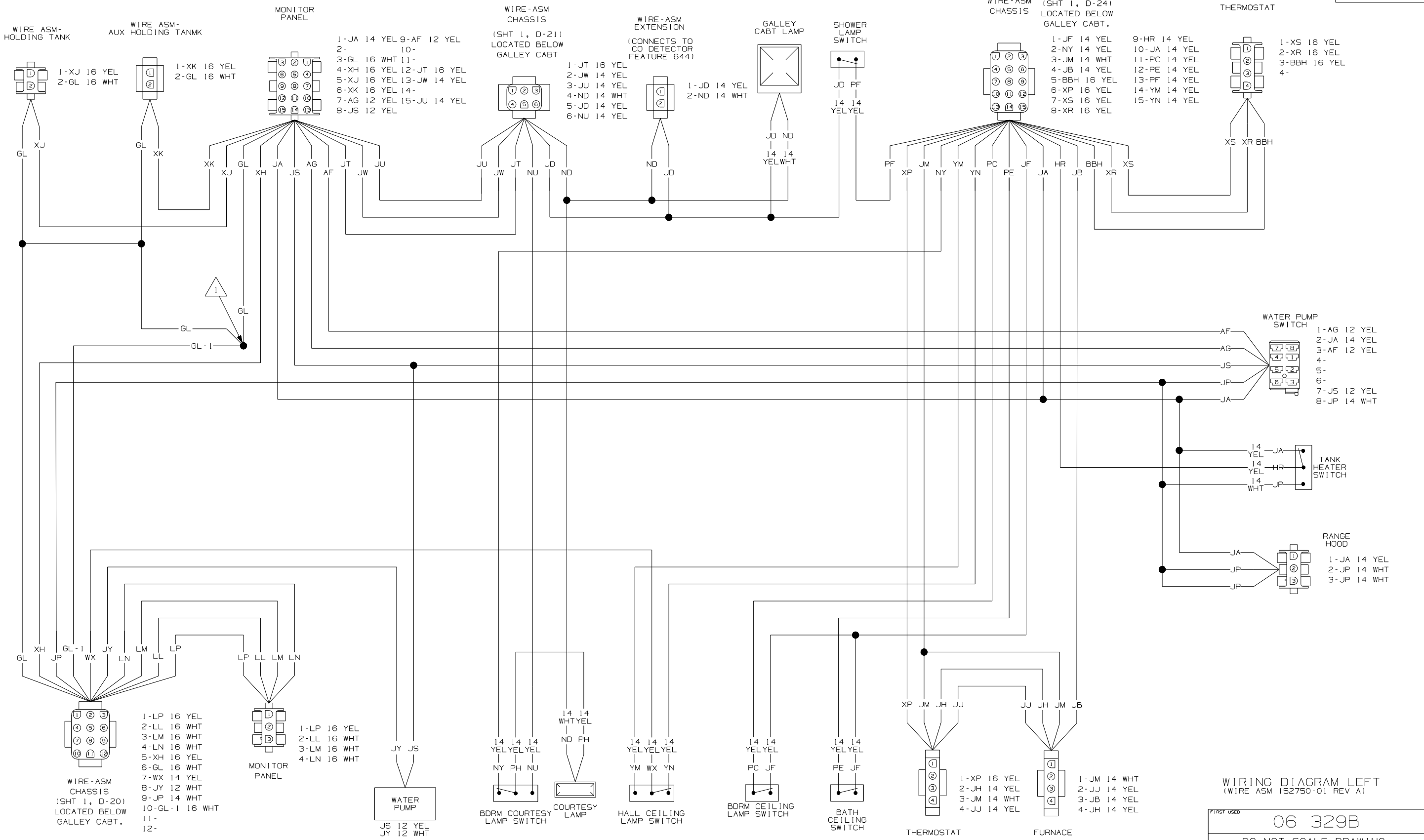
9/8/2005



NOTES:
 1 SEE WIRING INSTL EXTERIOR LAMP FOR ADDITIONAL INFORMATION.

WIRING DIAGRAM ROOF
 (WIRE ASM 152751-01 REV A)

FIRST USED	06 329B
DO NOT SCALE DRAWING	
TITLE:	WIRING DIAGRAM-BODY, 12V
SHEET 3	PART NO 152788

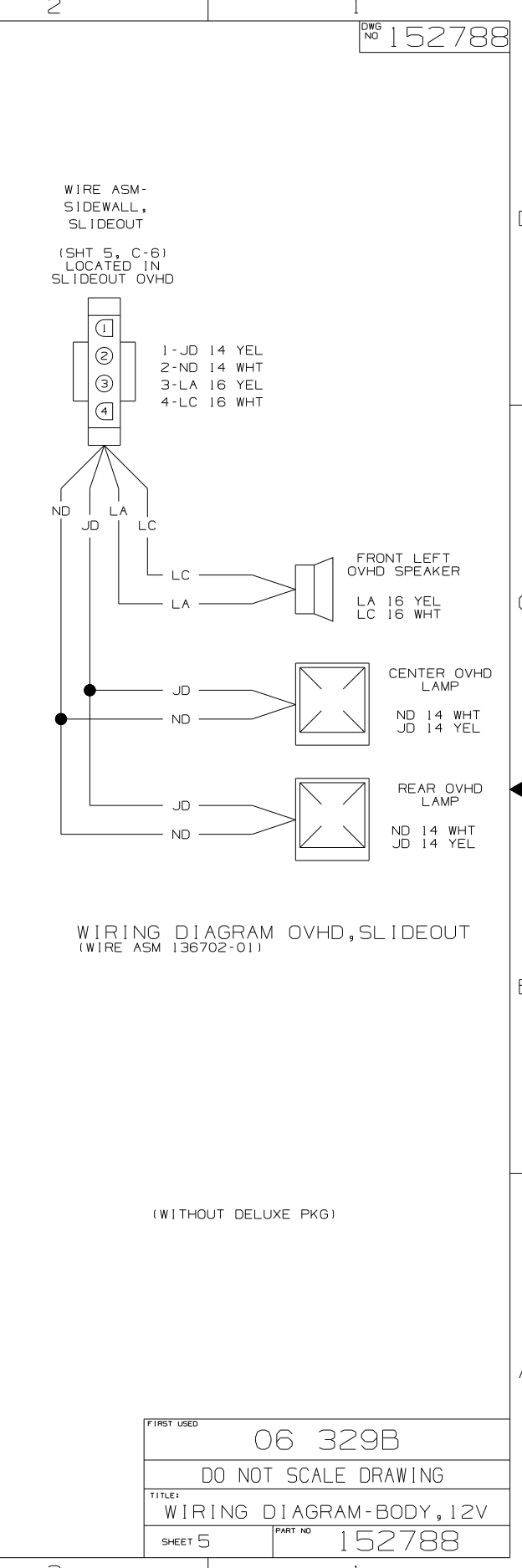
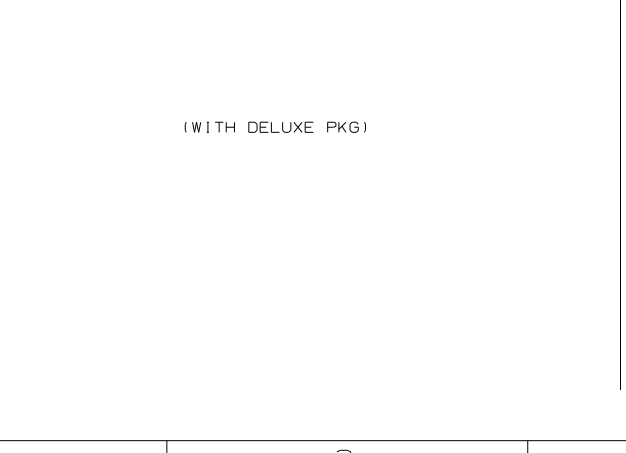
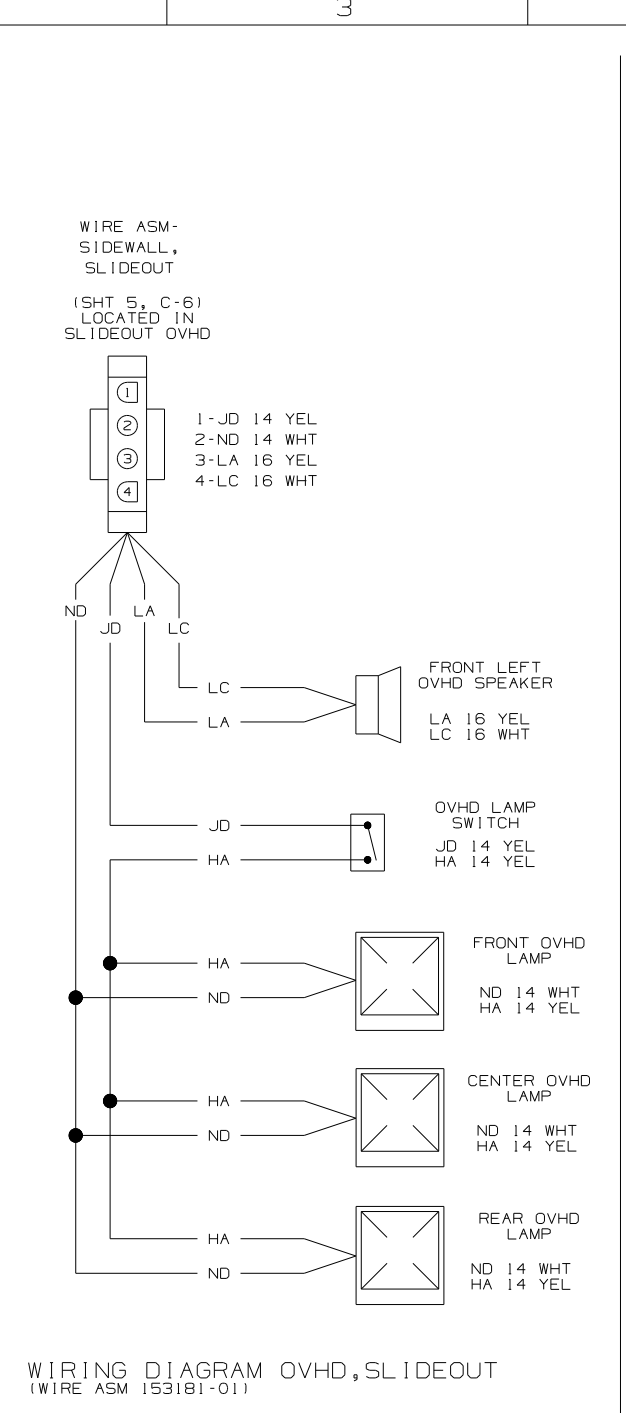
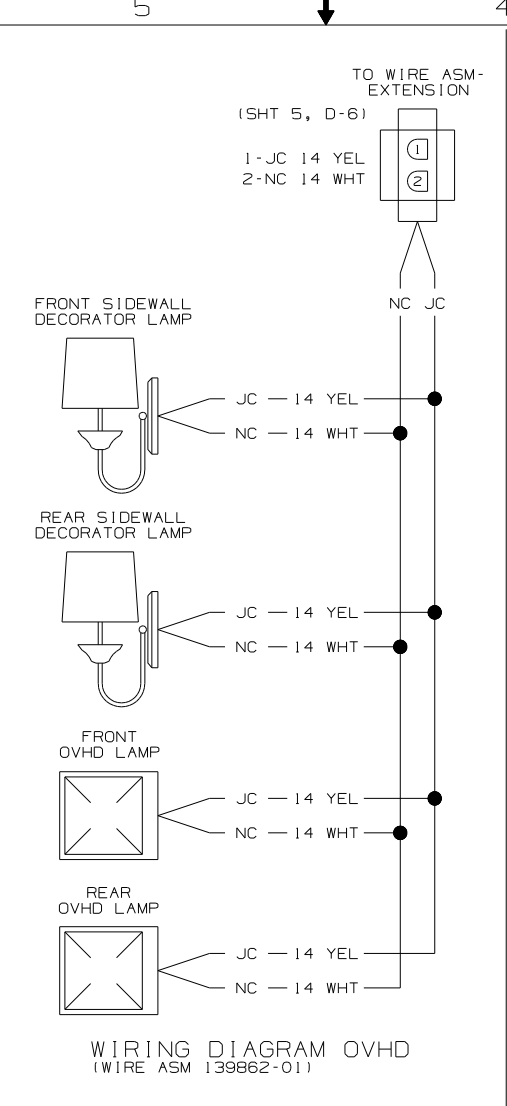
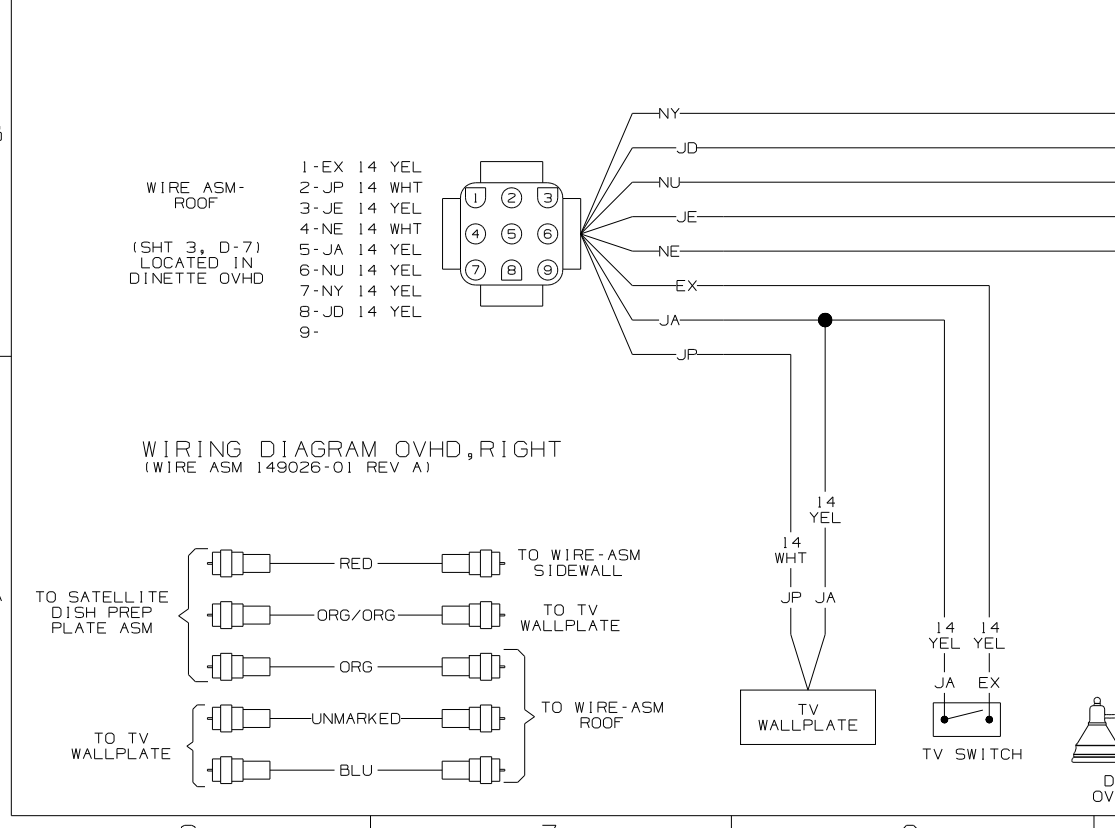
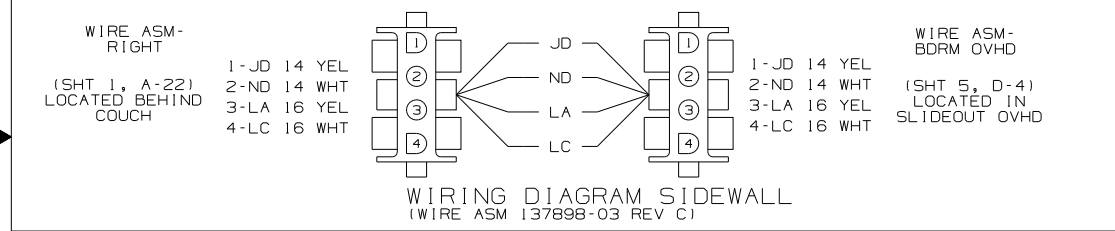
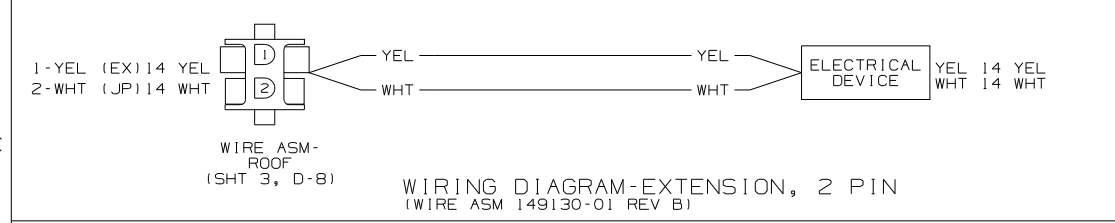
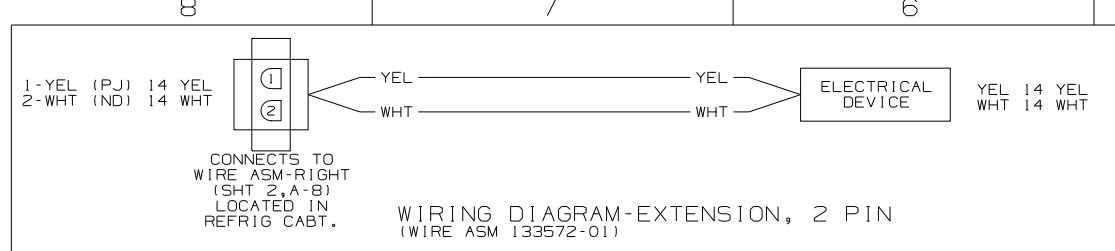


NOTES:
 1 GL AND GL-1 ARE TO BE SPLICED TOGETHER 100mm AWAY FROM MONITOR PANEL HOUSING FOR ISOLATION PURPOSES.

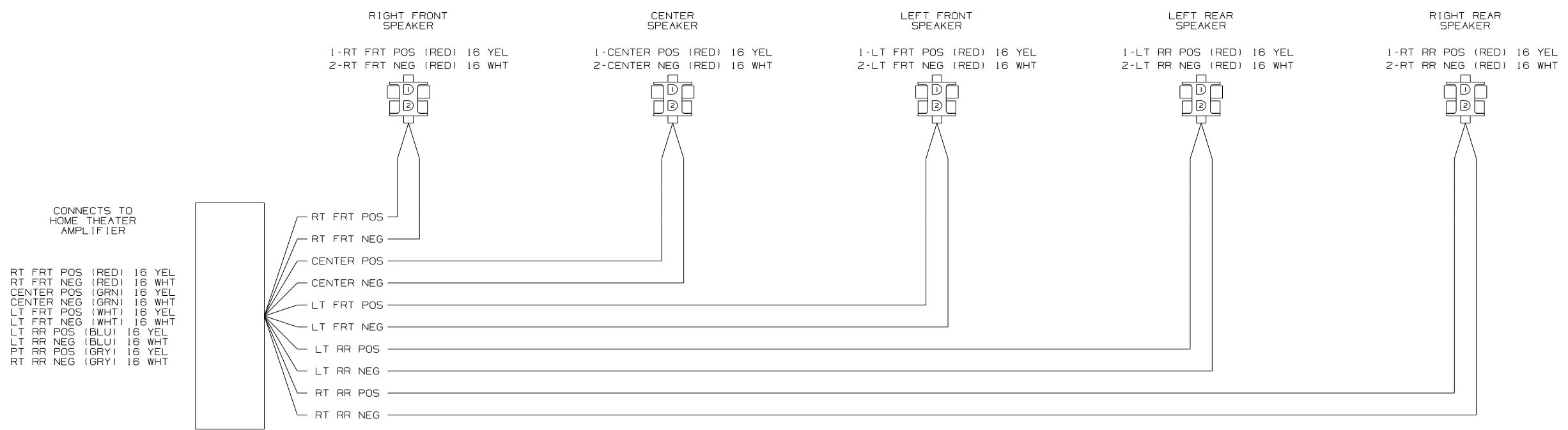
WIRING DIAGRAM LEFT (WIRE ASM 152750-01 REV A)

FIRST USED	06 329B
DO NOT SCALE DRAWING	
TITLE	WIRING DIAGRAM-BODY, 12V
SHEET 4	PART NO 152788

1 8/12/2005

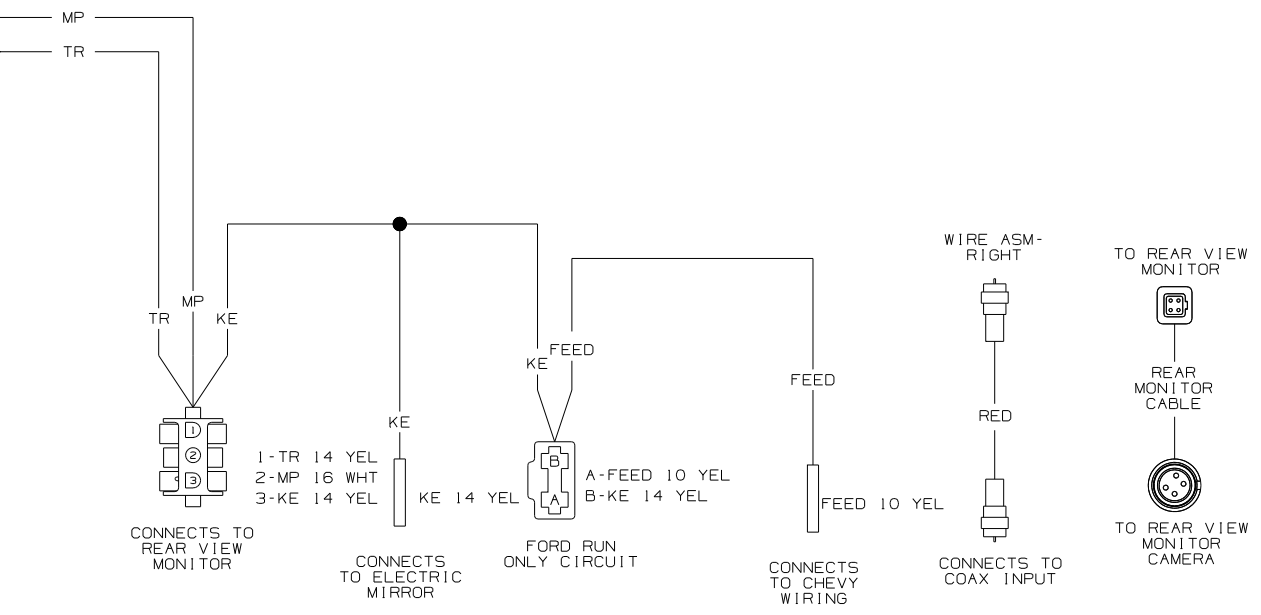
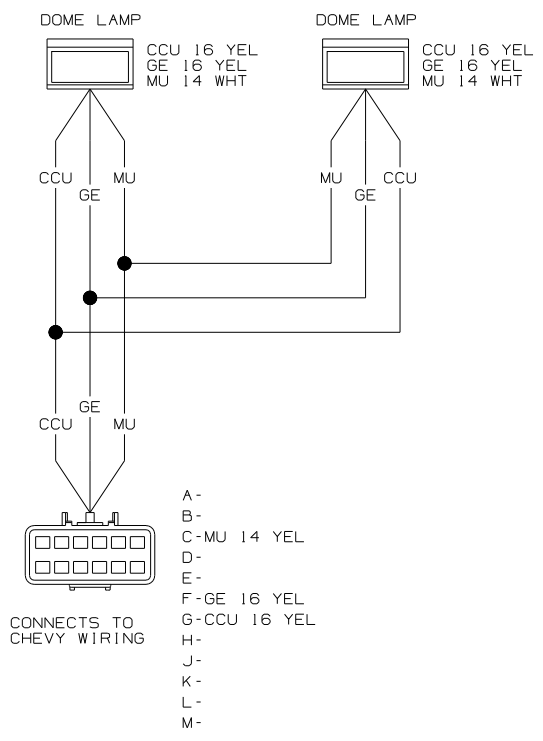
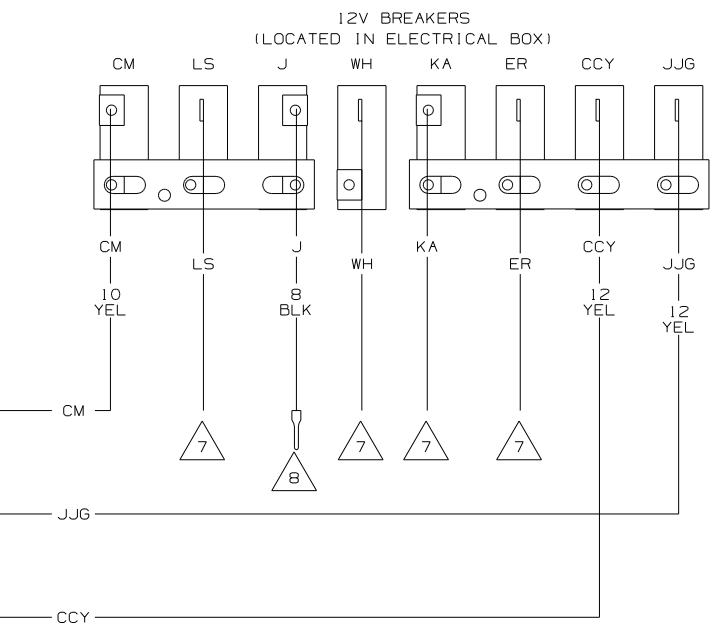


FIRST USED	06 329B
TITLE	DO NOT SCALE DRAWING
TITLE	WIRING DIAGRAM-BODY, 12V
SHEET 5	PART NO 152788



WIRING DIAGRAM-HOME THEATER EXTENSION
(WIRE ASM 148883 REV-H)

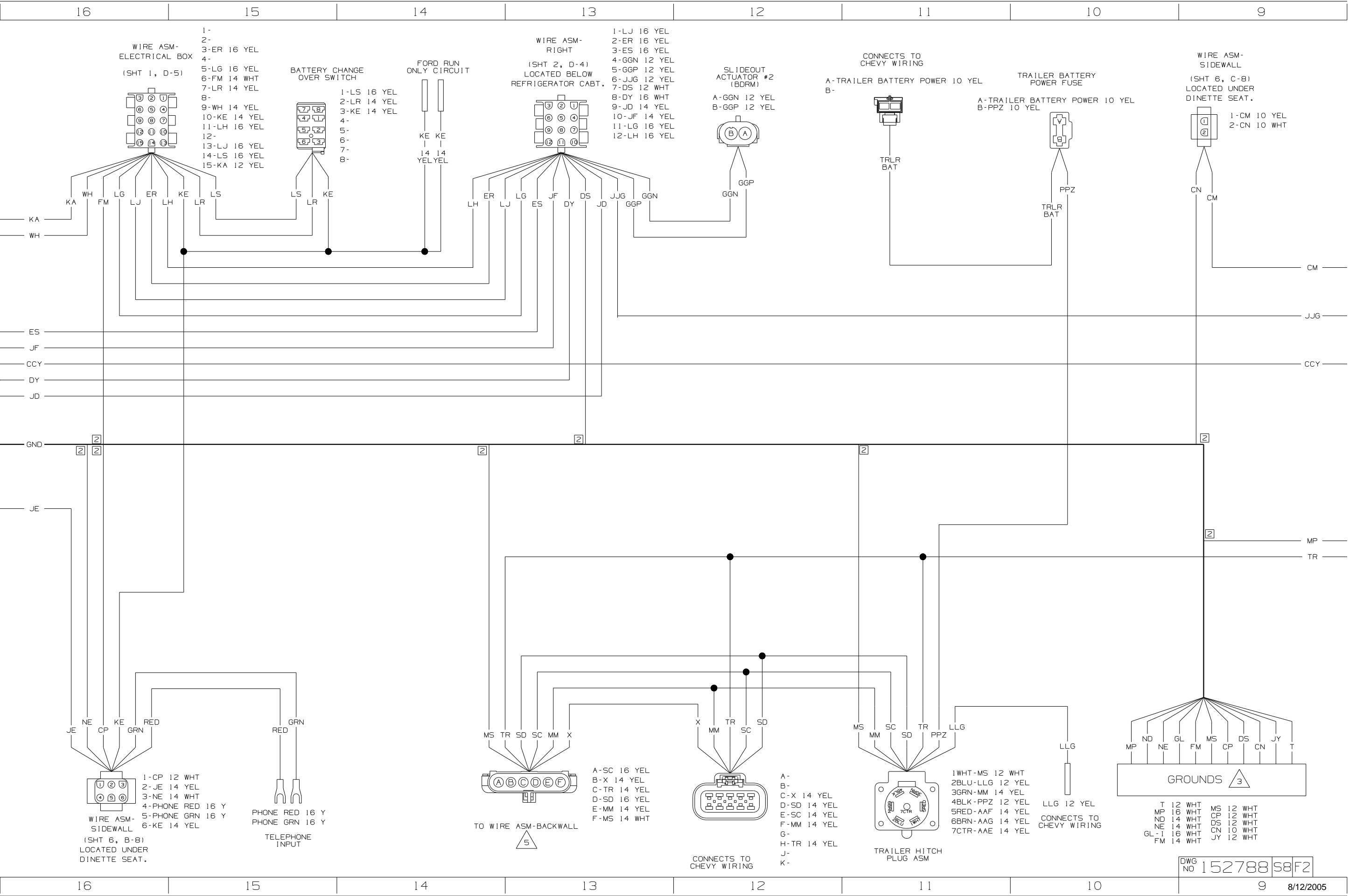
FIRST USED	06 329B
TITLE	DO NOT SCALE DRAWING
	WIRING DIAGRAM-BODY, 12V
SHEET 7	PART NO 152788

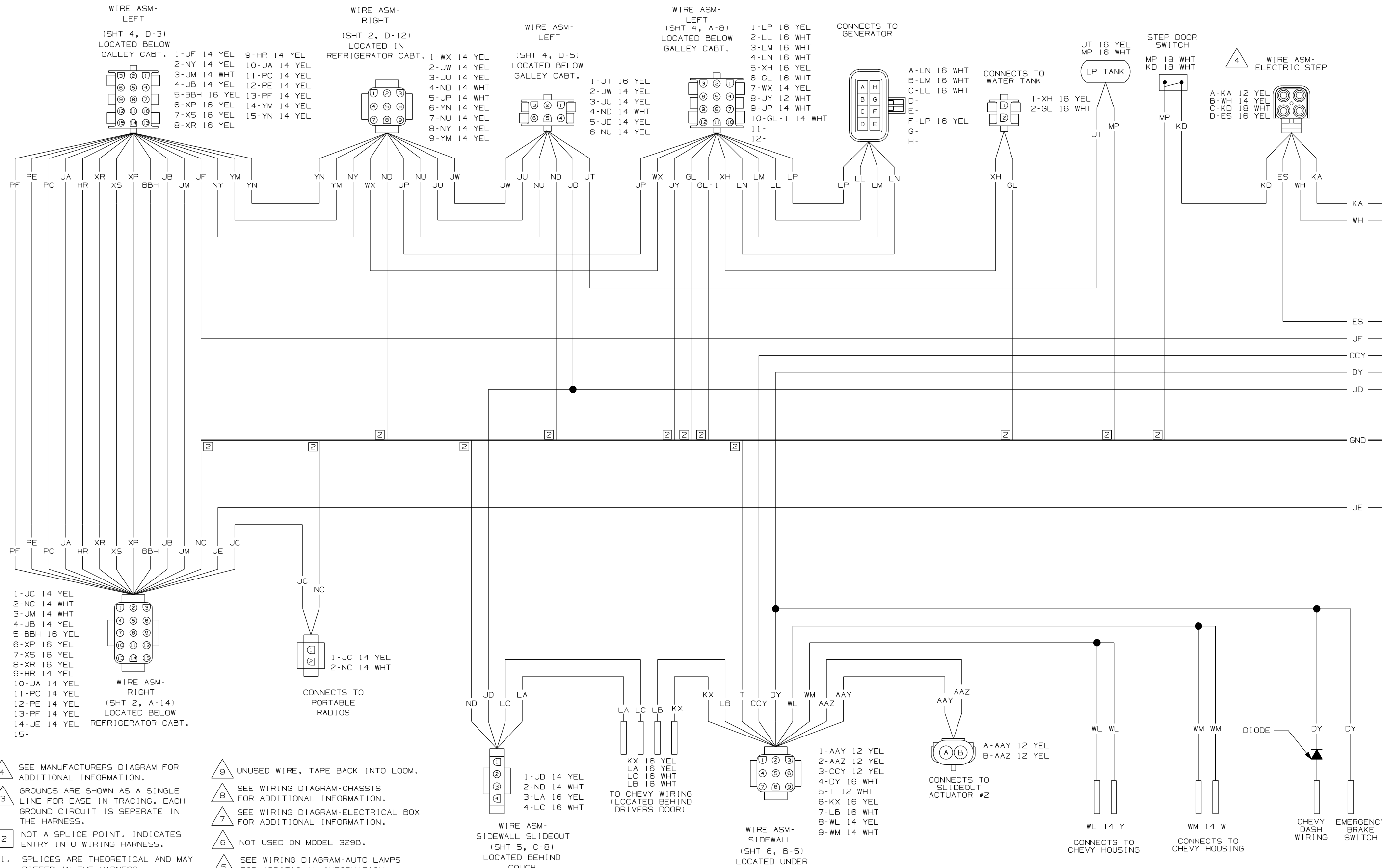


WIRING DIAGRAM-CHASSIS
(WIRE ASM 152748-01 REV-H)

WIRING DIAGRAM-CHASSIS,GM
(WIRE ASM 156414 REV-E)

FIRST USED	06 329B	
TITLE	DO NOT SCALE DRAWING	
	WIRING DIAGRAM-BODY,12V	
F1 SHEET 8	PART NO	152788





- NOTES:**
- 4 SEE MANUFACTURERS DIAGRAM FOR ADDITIONAL INFORMATION.
 - 3 GROUNDS ARE SHOWN AS A SINGLE LINE FOR EASE IN TRACING. EACH GROUND CIRCUIT IS SEPERATE IN THE HARNESS.
 - 2 NOT A SPLICE POINT. INDICATES ENTRY INTO WIRING HARNESS.
 - 1. SPLICES ARE THEORETICAL AND MAY DIFFER IN THE HARNESS.
 - 9 UNUSED WIRE, TAPE BACK INTO LOOM.
 - 8 SEE WIRING DIAGRAM-CHASSIS FOR ADDITIONAL INFORMATION.
 - 7 SEE WIRING DIAGRAM-ELECTRICAL BOX FOR ADDITIONAL INFORMATION.
 - 6 NOT USED ON MODEL 329B.
 - 5 SEE WIRING DIAGRAM-AUTO LAMPS FOR ADDITIONAL INFORMATION.