



DANGER

Danger of electrical shock, burns or death. Always remove all power sources before attempting any repair, service or diagnostic work. Power can be present from shore power, generator, inverter or battery. All power sources must be disabled and secured before performing any service.

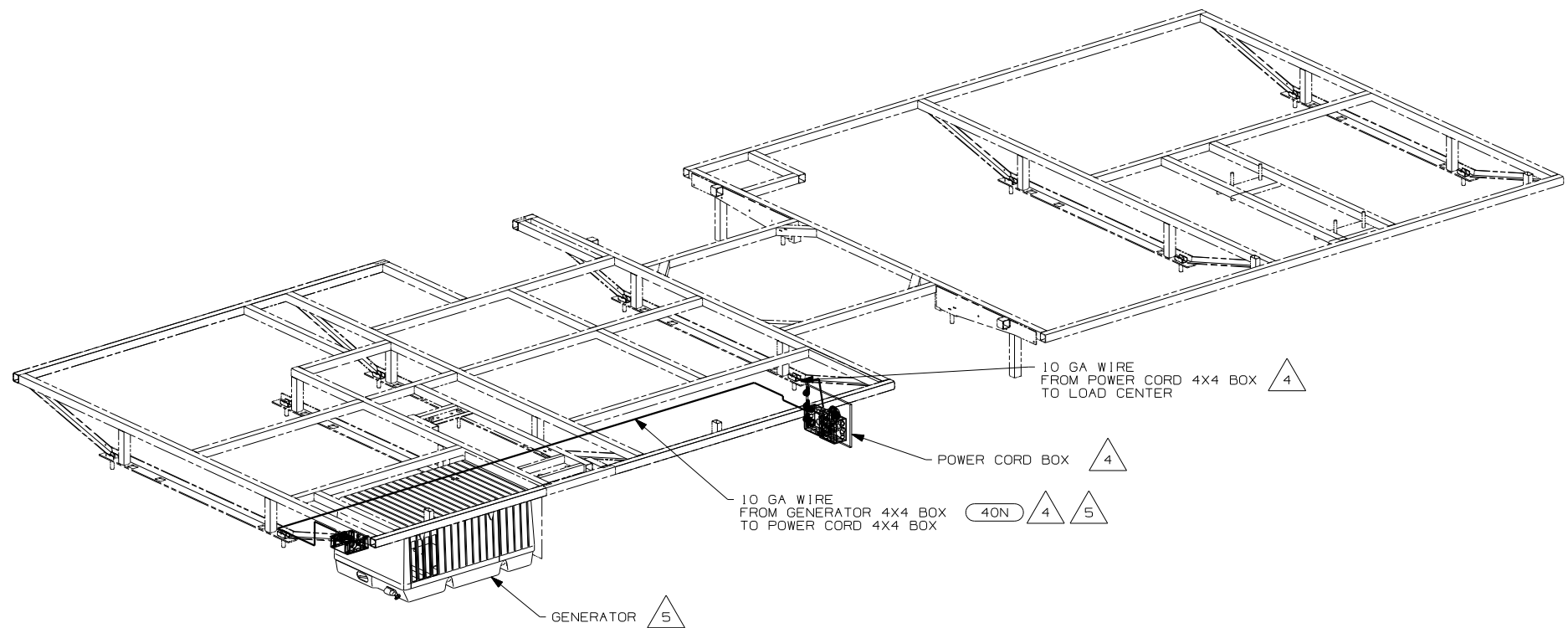


CAUTION

If you lack the skills, tools or equipment to perform diagnostic or repair work leave such work to an authorized Winnebago Industries dealer or other qualified shop.

DRAWING NO.	FEATURE
152747-01	(WIN)
152747-02	(ITA)

RELEASE	REV DATE	DWG NO
A		152747
REV ZONE	REVISION RECORD	DATE DFR-ORIG



- (12D) ELECTRICAL SYSTEM 30 AMP
- (40N) GEN-4.0KW-ONAN-GAS-MICROLITE
- (265) CODES/STANDARDS-CSA/CMVSS
- (1B1) CODES/STANDARDS USA

WINNEBAGO COPYRIGHT 2004 WINNEBAGO INDUSTRIES, INC.

DFTR	ORIG. DATE
CHKR	ALL DIMENSIONS ARE IN MILLIMETERS
P.E.	
M.E.	FIRST USED
DSNR	06 329B

UNSPECIFIED TOLERANCES ARE:	MATERIAL:
HOLE DIM (X)	: 1
ONE-PLACE (X.X)	: 1.5
TWO-PLACE (X.XX)	: 0.50
ANGLE	: 1°

THIRD ANGLE PROJECTION

DO NOT SCALE DRAWING

TITLE: WIRING INSTL-BODY, 110V

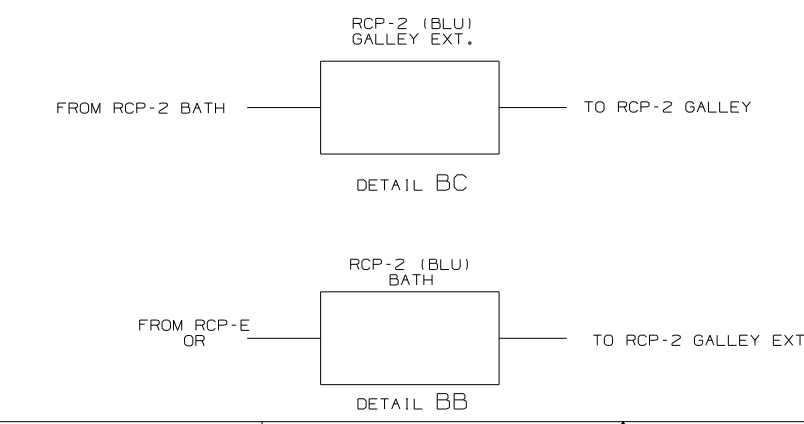
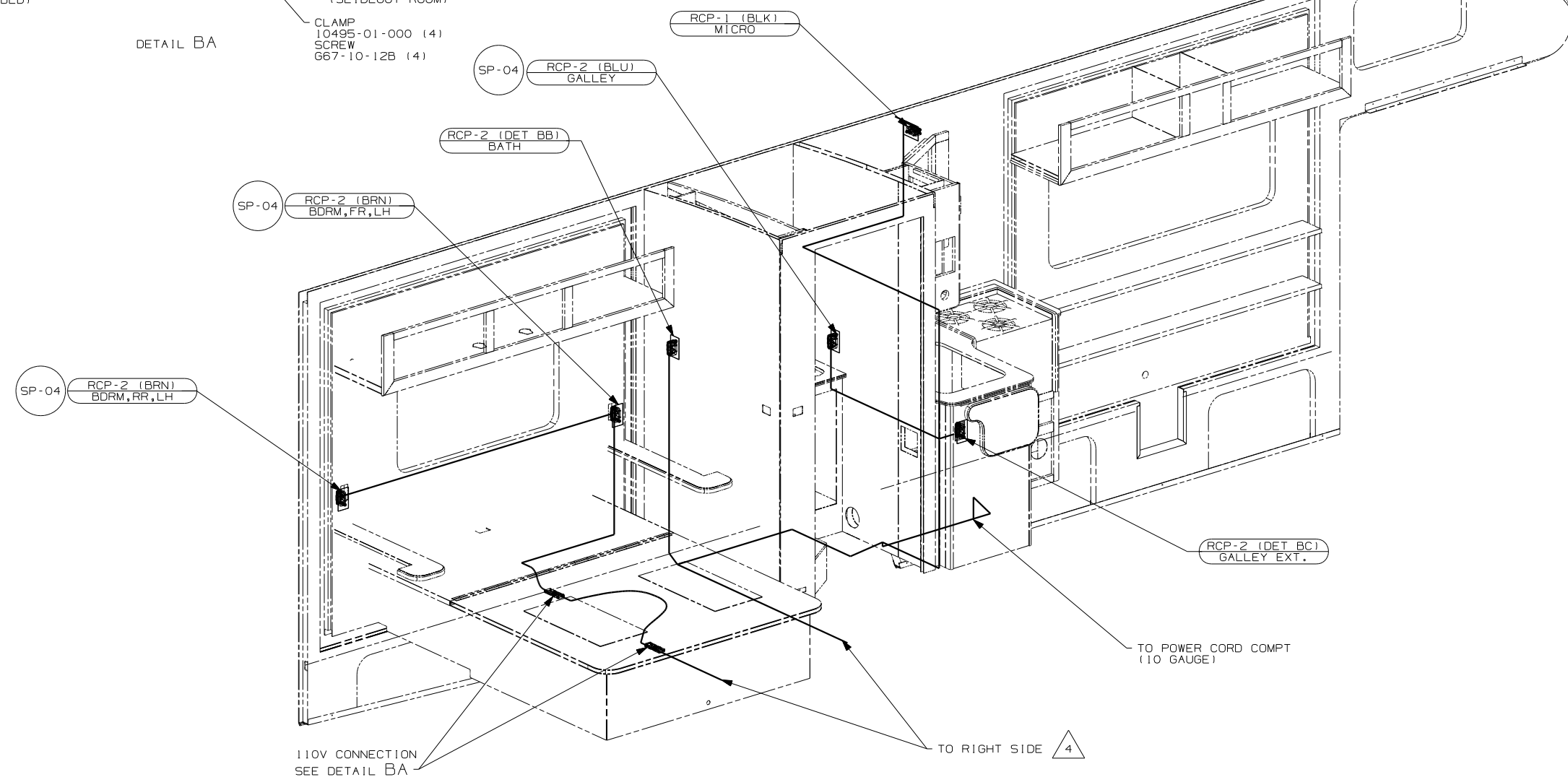
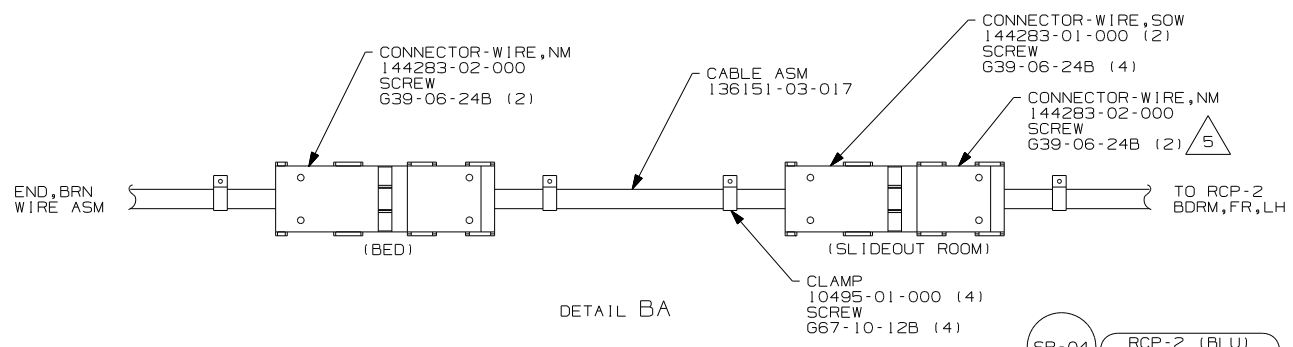
SHEET 1 of 3 PART NO 152747

REF: 1 11/8/2005

- (5) SEE GENERATOR INSTL FOR ADDITIONAL INFORMATION.
- (4) SEE LOAD CENTER INSTL FOR ADDITIONAL INFORMATION.
- ALL 110V WIRES ARE TO BE CLAMPED WITH CLAMP 10497-05-000 WITHIN 200mm OF OUTLET BOXES, USE SCREW G67-10-12B.
 - ALL WIRES TO BE SECURED WITH CLAMP 10495 OR 10497 OR WIRE TIE 8343 OR 108046 EVERY 600mm, USE SCREW G67-XX-XXX OR G56-XX-XXX AS APPROPRIATE FOR INSTALLATION.
 - ALL GROUND WIRES TO BE COVERED WITH TUBING 8041-02-000.

FOR ELECTRICAL TORQUE SPECIFICATIONS SEE DWG NO. 128783-01-000

(X-X) FOR ELECTRICAL CALLOUTS SEE DWG NO. 121339-01-000



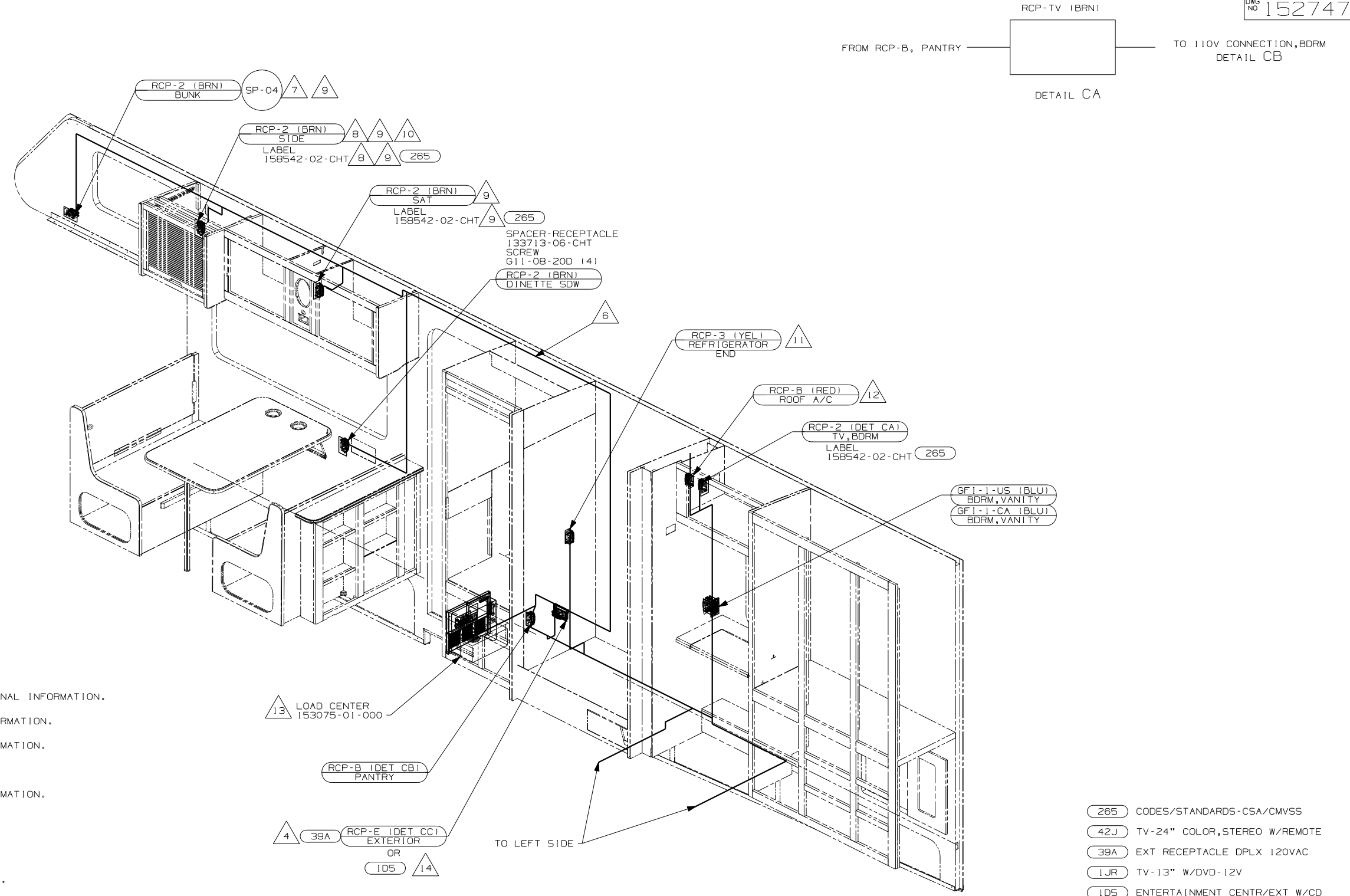
- NOTES:
- 5 THIS CONNECTOR TO BE INSTALLED ON PRODUCTION LINE.
 - 4 WIRE ROUTED IN FLOOR.
 - 3. ALL GROUND WIRES TO BE COVERED WITH TUBING 8041-02-000.
 - 2. ALL 110V WIRING TO BE SECURED WITHIN 200mm OF OUTLET BOXES.
 - 1. ALL WIRES TO BE SECURED WITH CLAMP 10495 OR 10497 OR WIRE TIE 8343 OR 108046 EVERY 600mm, USE SCREW 667-XX-XXX OR 656-XX-XXX AS APPROPRIATE FOR INSTALLATION.

FOR ELECTRICAL TORQUE SPECIFICATIONS SEE DWG NO. 128783-01-000

FOR ELECTRICAL CALLOUTS SEE DWG NO. 121339-01-000

- 265 CODES/STANDARDS-CSA/CMVSS
- 12D ELECTRICAL SYSTEM 30 AMP
- 1D5 ENTERTAINMENT CENTR/EXT W/CD
- 1B1 CODES/STANDARDS USA

FIRST USED	06 329B
TITLE	DO NOT SCALE DRAWING
TITLE	WIRING INSTL-BODY, 110V
SHEET 2	PART NO 152747

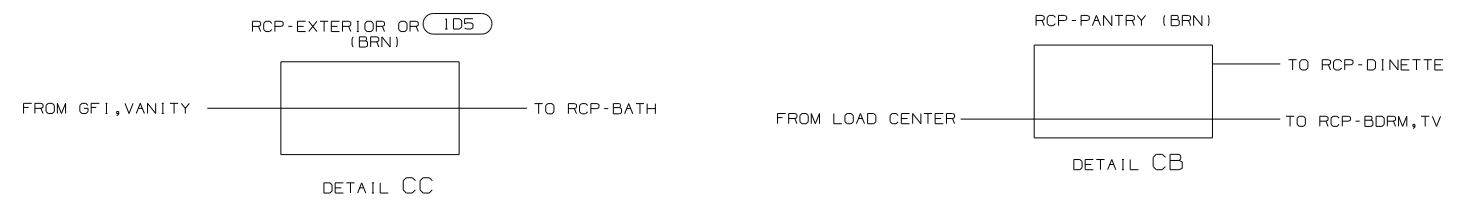


- △14 SEE ENTERTAINMENT CENTER-EXTERIOR FOR ADDITIONAL INFORMATION.
- △13 SEE LOAD CENTER/ATS INSTL FOR ADDITIONAL INFORMATION.
- △12 SEE WIRING INSTL-ROOF,AC FOR ADDITIONAL INFORMATION.
- △11 LOCATE RCP-REFRIGERATOR ON TIEDOWN STRAP.
- △10 SEE WIRING INSTL-TV,SIDE FOR ADDITIONAL INFORMATION.
- △9 NOT USED WITH (42J).
- △8 NOT USED WITH (1JR) (42J).
- △7 WITH FRONT ENTERTAINMENT CENTER,SEE WIRING INSTL-TV/VCR FRONT FOR ADDITIONAL INFORMATION.
- △6 WIRE ROUTED IN SIDEWALL.
- △5 WIRE ROUTED IN ROOF.
- △4 NOT USED WITH (1D5).

3. ALL GROUND WIRES TO BE COVERED WITH TUBING 8041-02-000.
2. ALL 110V WIRING TO BE SECURED WITHIN 200mm OF OUTLET BOXES.
1. ALL WIRES TO BE SECURED WITH CLAMP 10495 OR 10497 OR WIRE TIE 8343 OR 108046 EVERY 600mm, USE SCREW G67-XX-XXX OR G56-XX-XXX AS APPROPRIATE FOR INSTALLATION.

NOTES:

- (265) CODES/STANDARDS-CSA/CMVSS
- (42J) TV-24" COLOR,STEREO W/REMOTE
- (39A) EXT RECEPTACLE DPLX 120VAC
- (1JR) TV-13" W/DVD-12V
- (1D5) ENTERTAINMENT CENTR/EXT W/CD
- (12D) ELECTRICAL SYSTEM 30 AMP
- (1B1) CODES/STANDARDS USA



FIRST USED		06 329B	
DO NOT SCALE DRAWING			
TITLE: WIRING INSTL-BODY,110V			
SHEET 3	PART NO	152747	
11/8/2005			