



**DANGER**

**Danger of electrical shock, burns or death.** Always remove all power sources before attempting any repair, service or diagnostic work. Power can be present from shore power, generator, inverter or battery. All power sources must be disabled and secured before performing any service.

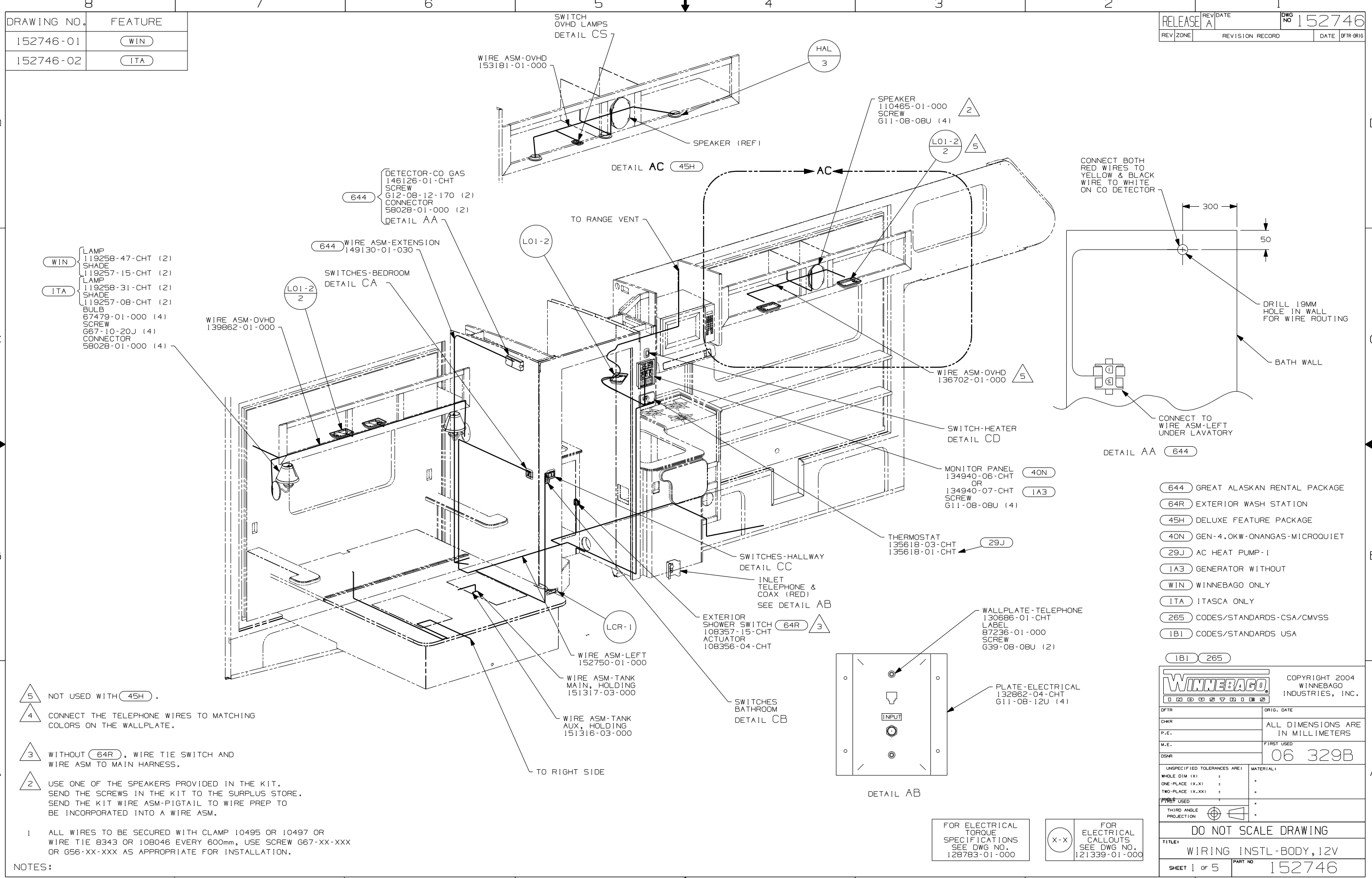


**CAUTION**

If you lack the skills, tools or equipment to perform diagnostic or repair work leave such work to an authorized Winnebago Industries dealer or other qualified shop.

DRAWING NO.	FEATURE
152746-01	(WIN)
152746-02	(ITA)

RELEASE	REV/DATE	DWG NO	152746
REV ZONE	REVISION RECORD	DATE	DFTR-ORIG



- (WIN) LAMP 119258-47-CHT (2)
- (WIN) SHADE 119257-15-CHT (2)
- (ITA) LAMP 119258-31-CHT (2)
- (ITA) SHADE 119257-08-CHT (2)
- (ITA) BULB 67479-01-000 (4)
- (ITA) SCREW 667-10-20J (4)
- (ITA) CONNECTOR 58028-01-000 (4)

- 5 NOT USED WITH (45H).
- 4 CONNECT THE TELEPHONE WIRES TO MATCHING COLORS ON THE WALLPLATE.
- 3 WITHOUT (64R), WIRE TIE SWITCH AND WIRE ASM TO MAIN HARNESS.
- 2 USE ONE OF THE SPEAKERS PROVIDED IN THE KIT. SEND THE SCREWS IN THE KIT TO THE SURPLUS STORE. SEND THE KIT WIRE ASM-PIGTAIL TO WIRE PREP TO BE INCORPORATED INTO A WIRE ASM.

1 ALL WIRES TO BE SECURED WITH CLAMP 10495 OR 10497 OR WIRE TIE 8343 OR 108046 EVERY 600mm, USE SCREW G67-XX-XXX OR G56-XX-XXX AS APPROPRIATE FOR INSTALLATION.

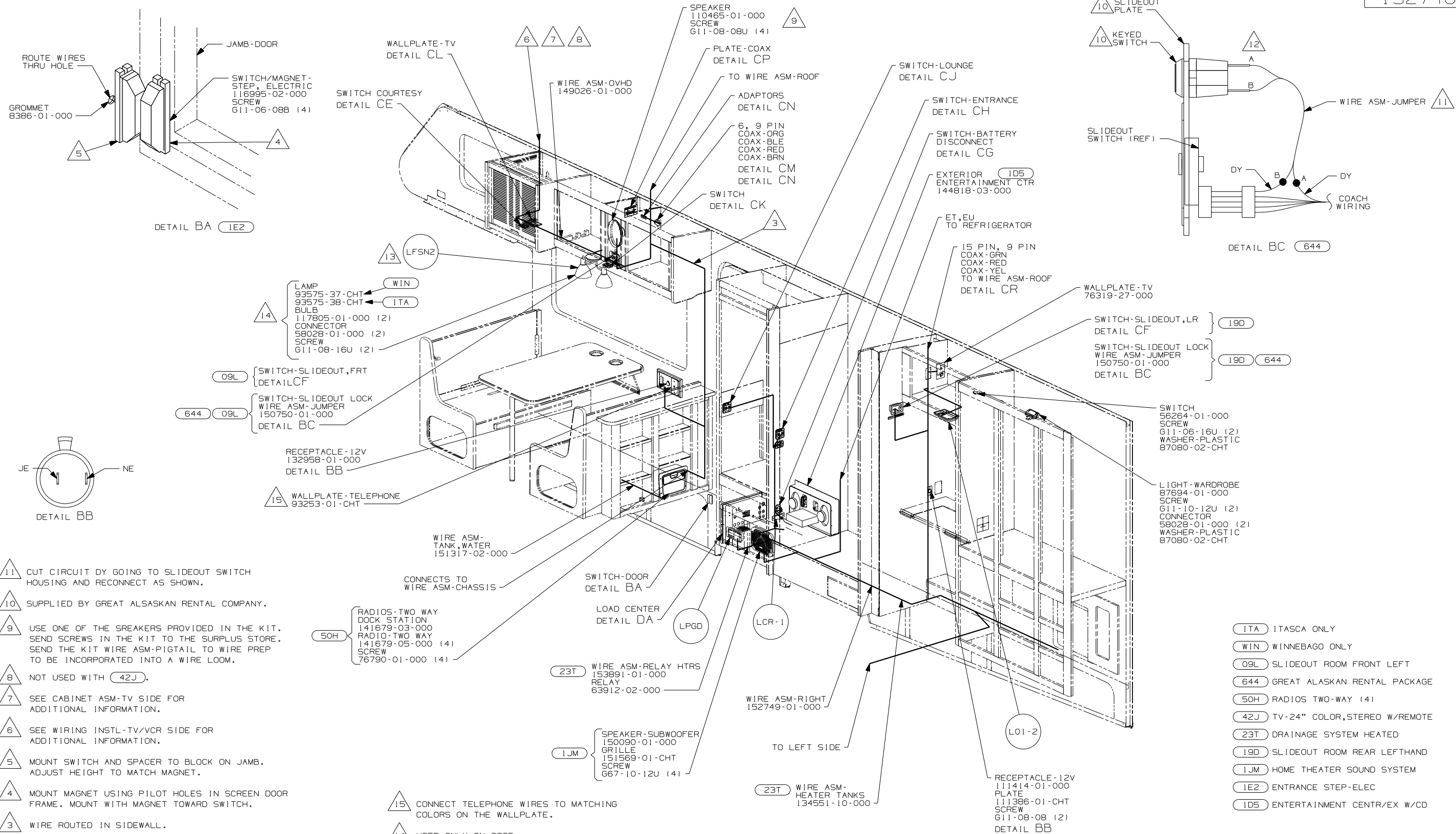
NOTES:

- (644) GREAT ALASKAN RENTAL PACKAGE
- (64R) EXTERIOR WASH STATION
- (45H) DELUXE FEATURE PACKAGE
- (40N) GEN-4.0KW-ONANGAS-MICROQUIET
- (29J) AC HEAT PUMP-1
- (1A3) GENERATOR WITHOUT
- (WIN) WINNEBAGO ONLY
- (ITA) ITASCA ONLY
- (265) CODES/STANDARDS-CSA/CMVSS
- (1B1) CODES/STANDARDS USA

<b>WINNEBAGO</b>		COPYRIGHT 2004 WINNEBAGO INDUSTRIES, INC.	
DFTR	ORIG. DATE	ALL DIMENSIONS ARE IN MILLIMETERS	
CHKR		06 329B	
P.E.			
M.E.	FIRST USED		
DSNR			
UNSPECIFIED TOLERANCES ARE:		MATERIAL:	
WHOLE DIM (X)	:		*
ONE-PLACE (X.X)	:		*
TWO-PLACE (X.XX)	:		*
FIRST USED			
THIRD ANGLE PROJECTION		DO NOT SCALE DRAWING	
TITLE: WIRING INSTL-BODY, 12V			
SHEET 1 OF 5		PART NO 152746	
REF:		1 10/17/2005	

FOR ELECTRICAL TORQUE SPECIFICATIONS SEE DWG NO. 128783-01-000

(X-X) FOR ELECTRICAL CALLOUTS SEE DWG NO. 121339-01-000



- 11 CUT CIRCUIT BY GOING TO SLIDEOUT SWITCH HOUSING AND RECONNECT AS SHOWN.
- 10 SUPPLIED BY GREAT ALSASKAN RENTAL COMPANY.
- 9 USE ONE OF THE SREAKERS PROVIDED IN THE KIT. SEND SCREWS IN THE KIT TO THE SURPLUS STORE. SEND THE KIT WIRE ASM-PIGTAIL TO WIRE PREP TO BE INCORPORATED INTO A WIRE LOOM.
- 8 NOT USED WITH (42J).
- 7 SEE CABINET ASM-TV SIDE FOR ADDITIONAL INFORMATION.
- 6 SEE WIRING INSTL-TV/VCR SIDE FOR ADDITIONAL INFORMATION.
- 5 MOUNT SWITCH AND SPACER TO BLOCK ON JAMB. ADJUST HEIGHT TO MATCH MAGNET.
- 4 MOUNT MAGNET USING PILOT HOLES IN SCREEN DOOR FRAME. MOUNT WITH MAGNET TOWARD SWITCH.
- 3 WIRE ROUTED IN SIDEWALL.

2. WITH FRONT ENTERTAINMENT CENTER, SEE WIRING INSTL-TV/FRONT FOR ADDITIONAL INFORMATION.
1. ALL WIRES TO BE SECURED WITH CLAMP 10495 OR 10497 OR WIRE TIE 8343 OR 108046 EVERY 600mm, USE SCREW G67-XX-XXX OR G56-XX-XXX AS APPROPRIATE FOR INSTALLATION.

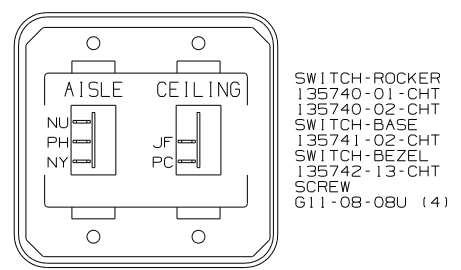
- 15 CONNECT TELEPHONE WIRES TO MATCHING COLORS ON THE WALLPLATE.
- 14 USED ONLY ON 329B.
- 13 USED ONLY ON 329SB.
- 12 REMOVE TERMINALS (SUPPLIED WITH KEY SWITCH), CRIMP ON TO WIRE ASM-JUMPER AND RECONNECT TO KEY SWITCH.

- (ITA) ITASCA ONLY
- (WIN) WINNEBAGO ONLY
- (09L) SLIDEOUT ROOM FRONT LEFT
- (644) GREAT ALASKAN RENTAL PACKAGE
- (50H) RADIOS TWO-WAY (4)
- (42J) TV-24" COLOR, STEREO W/REMOTE
- (23T) DRAINAGE SYSTEM HEATED
- (19D) SLIDEOUT ROOM REAR LEFTHAND
- (1JM) HOME THEATER SOUND SYSTEM
- (1E2) ENTRANCE STEP-ELEC
- (1D5) ENTERTAINMENT CENTR/EX W/CD

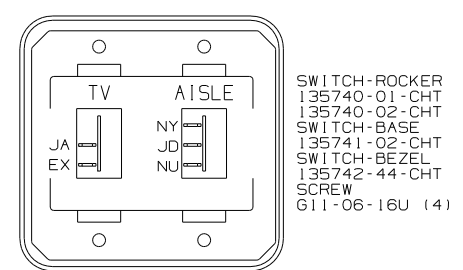
FOR ELECTRICAL TORQUE SPECIFICATIONS SEE DWG NO. 128783-01-000

(X-X) FOR ELECTRICAL CALLOUTS SEE DWG NO. 121339-01-000

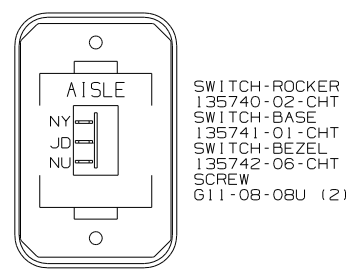
FIRST USED	06 329B
TITLE:	DO NOT SCALE DRAWING
	WIRING INSTL-BODY, 12V
SHEET 2	PART NO 152746



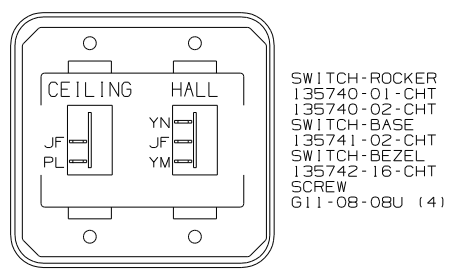
DETAIL CA



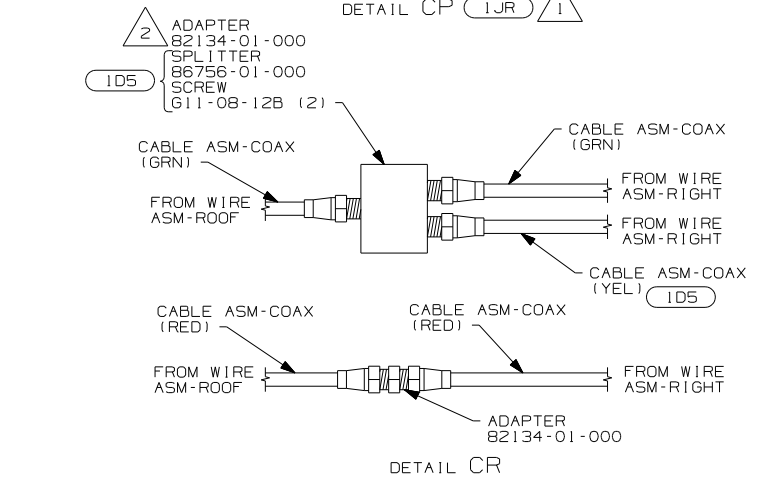
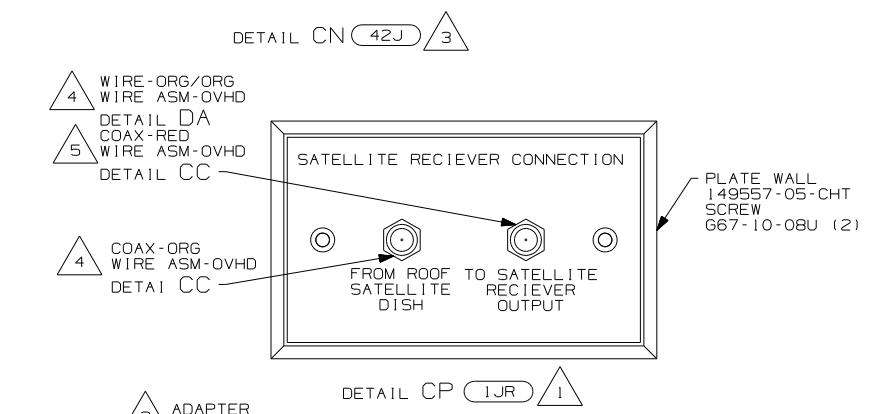
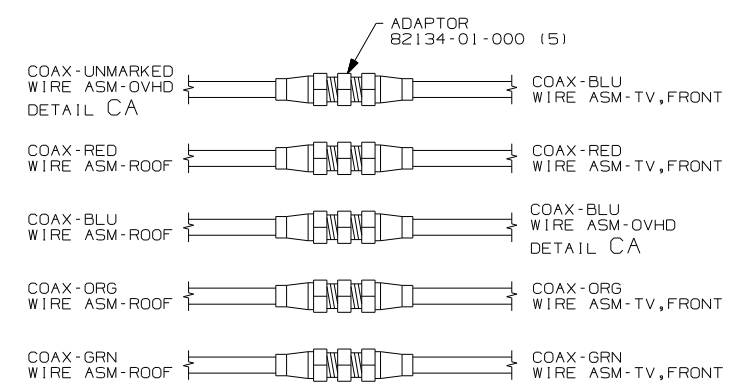
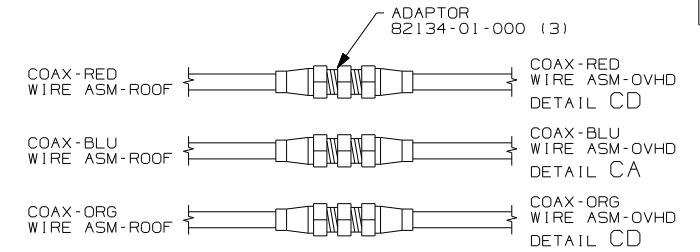
DETAIL CE (1JR) 1



DETAIL CE (42J) 3



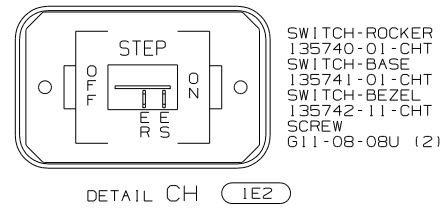
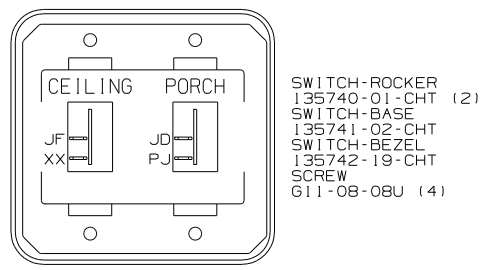
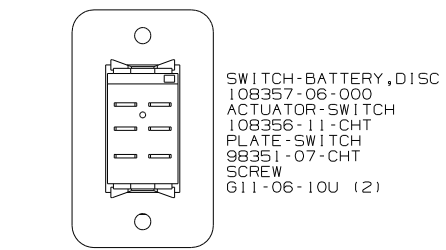
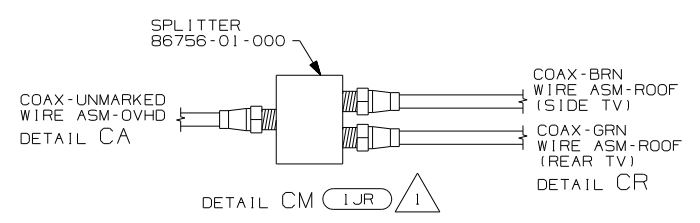
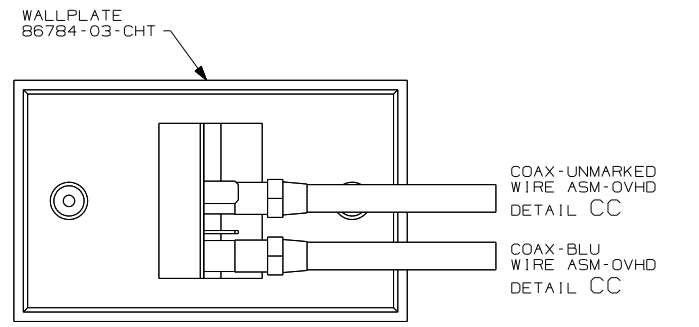
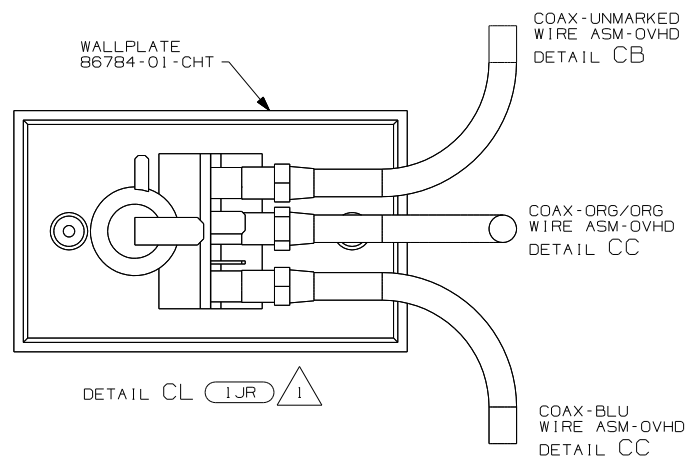
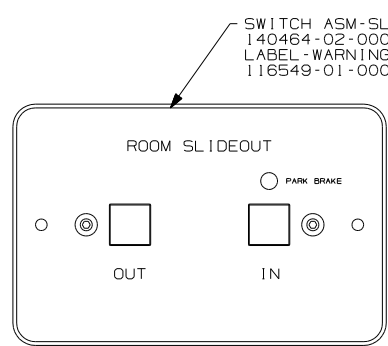
DETAIL CJ

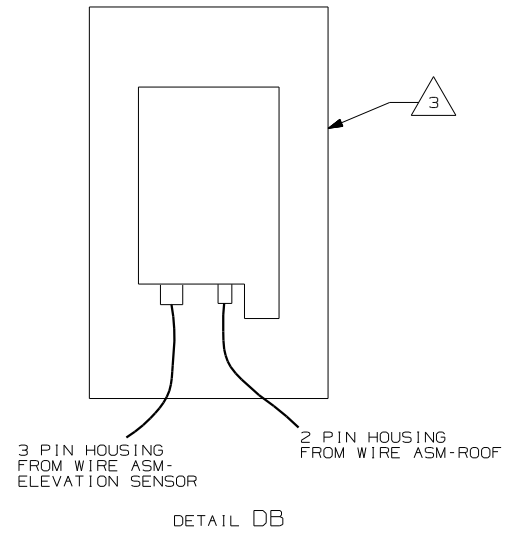
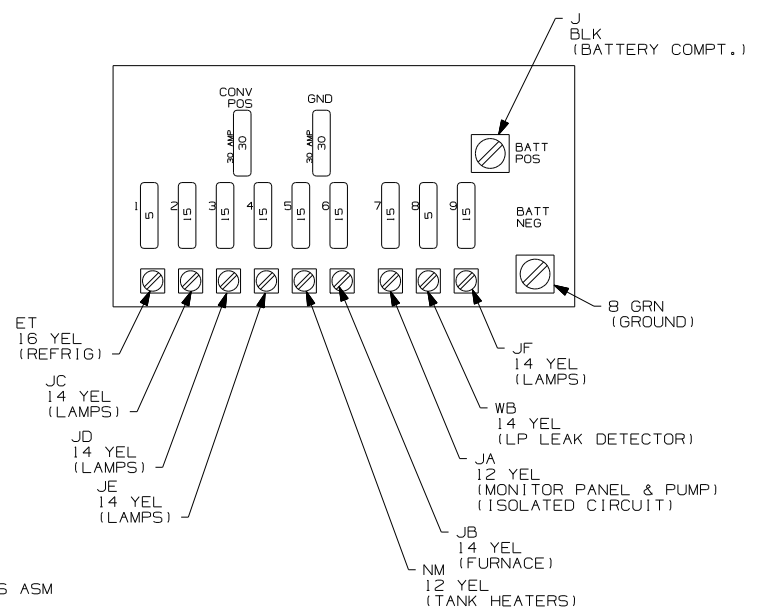
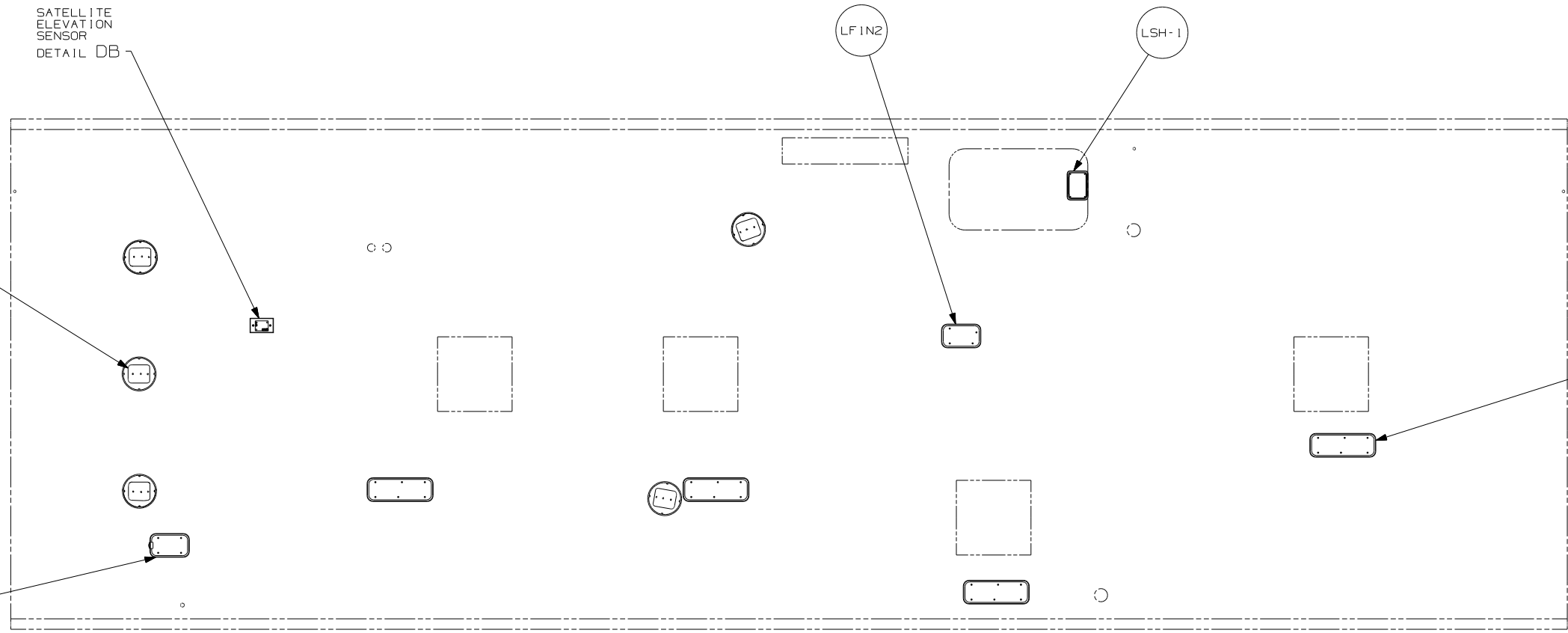


- (45H) DELUXE FEATURE PACKAGE
- (42J) TV-24" COLOR, STEREO W/REMOTE
- (23T) DRAINAGE SYSTEM-HEATED
- (1JR) TV-13" W/DVD-12V
- (1E2) ENTRANCE STEP-ELEC.
- (ID5) ENTERTAINMENT CENTR/EXT W/CD

- NOTES:
- 5 CONNECT COAX TO FRONT SIDE OF WALL PLATE.
  - 4 CONNECT COAX TO BACK SIDE OF WALLPLATE.
  - 3 NOT USED WITH (1JR)
  - 2 WITHOUT (ID5) USE ADAPTOR TO CONNECT GRN COAX FROM WIRE ASM-ROOF TO GRN COAX FROM WIRE ASM-RIGHT.
  - 1 NOT USED WITH (42J).

**WARNING** UNDERSTAND OPERATOR'S MANUAL BEFORE USING. KEEP PEOPLE AND OBSTRUCTIONS CLEAR OF SLIDEOUT ROOM WHEN OPERATING TO AVOID INJURY AND/OR PROPERTY DAMAGE.





- (42J) TV-24" COLOR, STEREO W/REMOTE
- (23T) DRAINAGE SYSTEM-HEATED
- (1JM) HOME THEATER SOUND SYSTEM

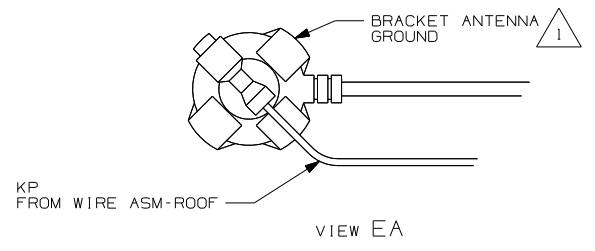
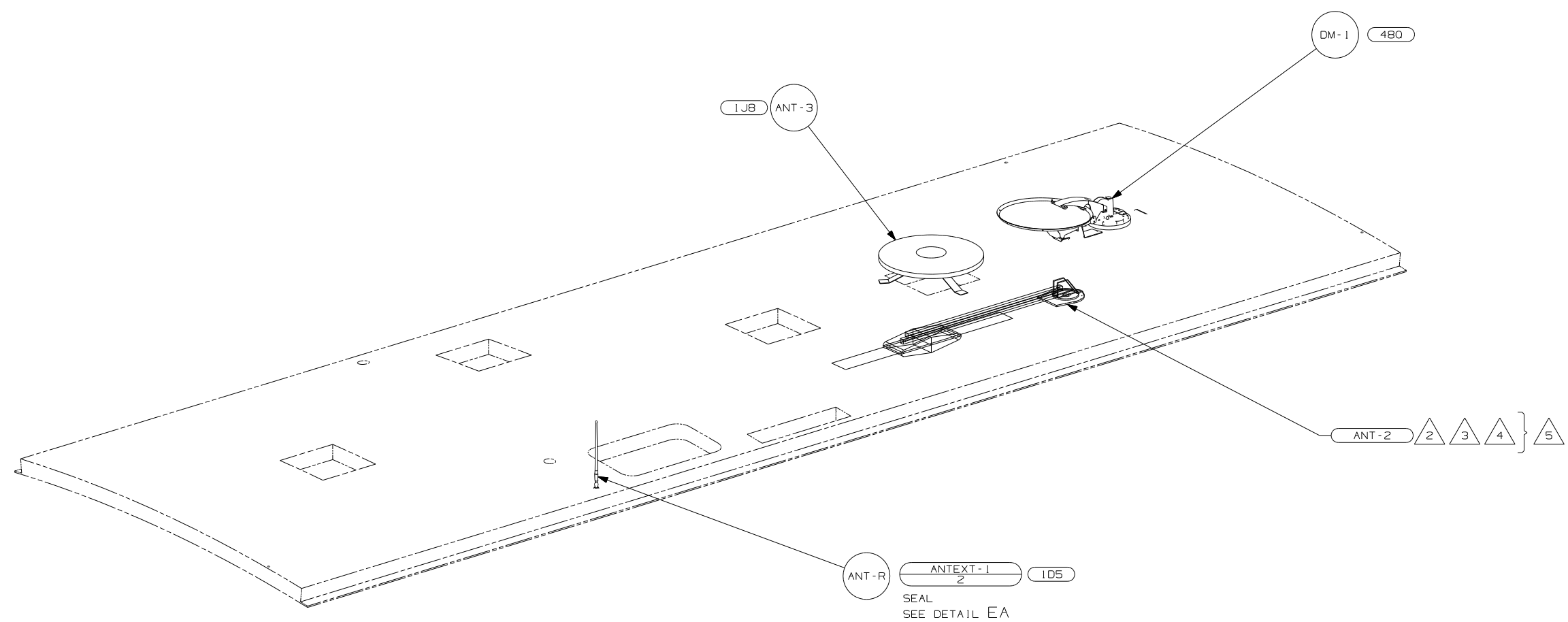
- △ 4 FOR REFERENCE ONLY. SEE LOAD CENTER/ATS ASM FOR ADDITIONAL INFORMATION.
- △ 3 SENSOR SUPPLIED WITH SATELLITE ASSEMBLY.
- △ 2 NOT USED WITH (42J).

NOTES:  
1. SEE ROOF ASSEMBLY FOR ADDITIONAL INFORMATION.

FOR ELECTRICAL TORQUE SPECIFICATIONS SEE DWG NO. 128783-01-000

(X-X) FOR ELECTRICAL CALLOUTS SEE DWG NO. 121339-01-000

FIRST USED	06 329B
DO NOT SCALE DRAWING	
TITLE:	WIRING INSTL-BODY, 12V
SHEET 4	PART NO 152746



- NOTES:
- 5 NOT USED WITH 1JB.
  - 4 ADD RUBBER BUMPER TO ROOF UNDER EACH END OF ANTENNA WHICH MAY COME INTO CONTACT WITH ROOF IN DOWN POSITION.
  - 3 LOCATE CLAMP TO RETAIN CABLE BUT NOT TO RESTRICT ANTENNA TRAVEL.
  - 2 SEE DRAWING 76319-01-000 FOR INSTALLATION OF TV ANTENNA.
  - 1 WRAP BRACKET LEGS AROUND ANTENNA BASE.

- 4B0 SATELLITE DISH
- 1JB TV ANTENNA-OMNI DIRECTIONAL
- 1D5 ENTERTAINMENT CENTR/EXT W/CD

FOR ELECTRICAL TORQUE SPECIFICATIONS SEE DWG NO. 128783-01-000

FOR ELECTRICAL CALLOUTS SEE DWG NO. 121339-01-000

FIRST USED	06 329B
DO NOT SCALE DRAWING	
TITLE:	WIRING INSTL-BODY, 12V
SHEET 5	PART NO 152746