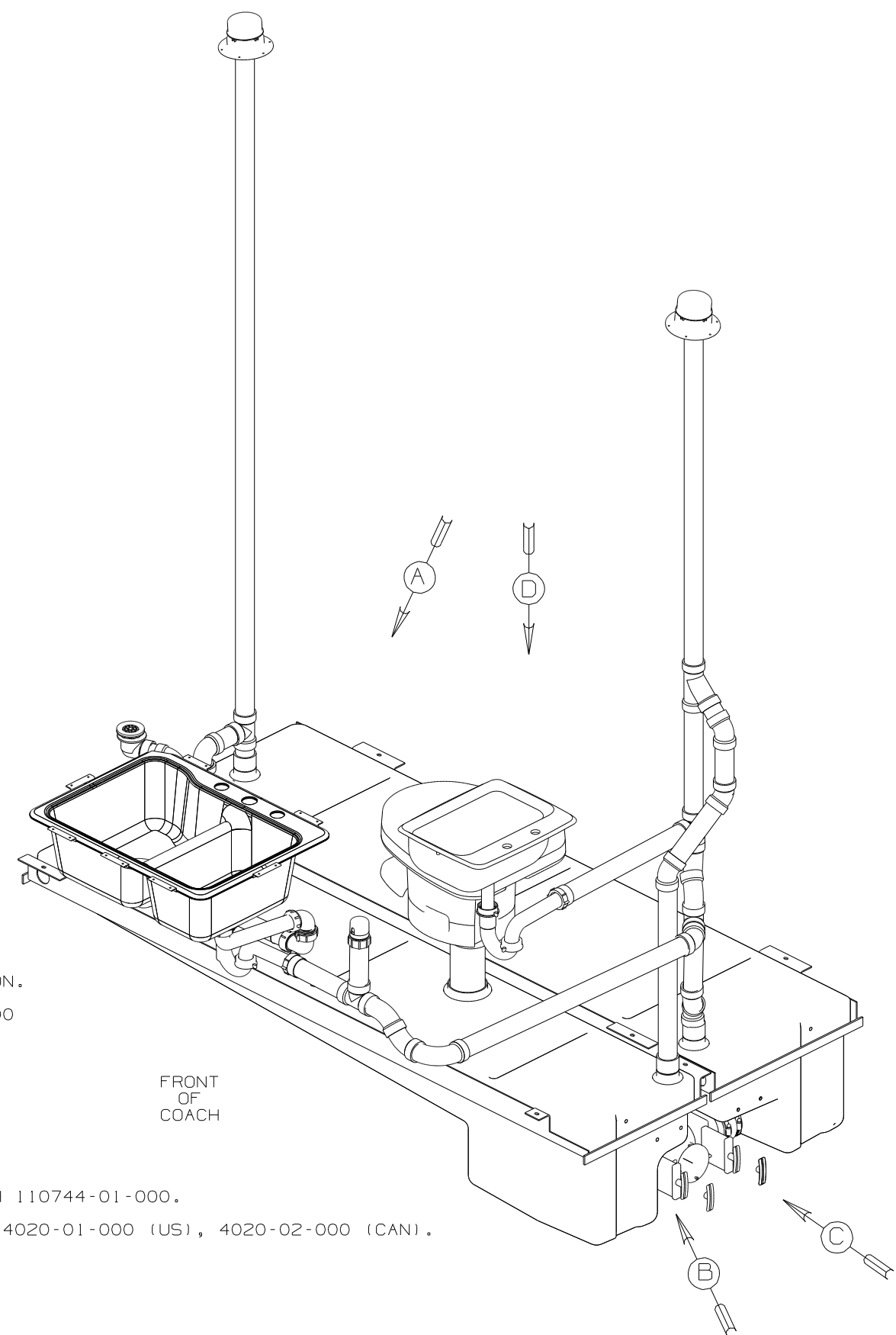


DWG NO	UNIT
152530-01	329B
152530-02	329SB

RELEASE	REV DATE	DWG NO
A		152530
REV ZONE	REVISION RECORD	DATE



- 10 NOT TO BE USED WITH 43F
- 9 SEE WIRING INSTL-BODY, 12V FOR ELECTRICAL CONNECTION.
- 8. SECURE PIPES TO CABINET USING WIRE TIE 108046-02-000 AND SCREW G67-10-12B.
- 7 SECURE VENT TO FLOOR WITH BRACKET 136878-01-CHT CLAMP 62401-02-000, SCREW G67-10-12B.
- 6 VENT PIPE MUST PROJECT 51 MIN AND 64 MAX ABOVE ROOF FOR PROPER FIT AND FUNCTION.
- 5. SEAL AROUND SHOWER WITH SILICONE.
- 4. ALL EXTERIOR OPENINGS AROUND PIPE TO BE SEALED WITH 110744-01-000.
- 3. ALL PIPE AND FITTINGS TO BE ASSEMBLED WITH SOLVENT 4020-01-000 (US), 4020-02-000 (CAN).
- 2. SLOPE OF TRAP ARM MUST BE 6 PER 305mm.
- 1. SLOPE OF HORIZONTAL PIPING TO BE MIN 6 PER 305 mm.

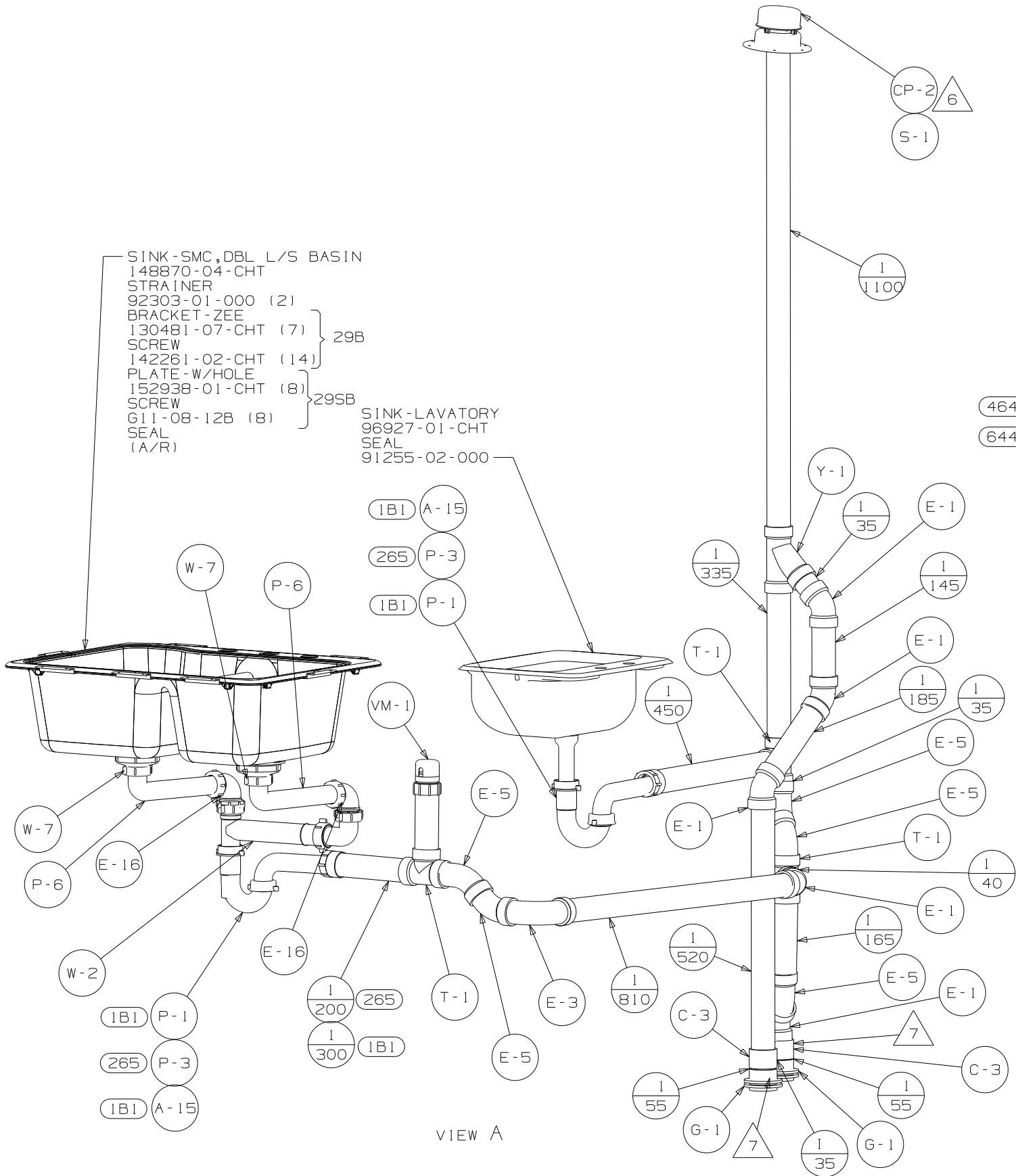
- 43F SHOWER SURROUND
- 464 TOILET

FRONT  
OF  
COACH

X-X  
FOR  
DRAINAGE  
CALLOUTS  
SEE DWG NO  
116229-01-000

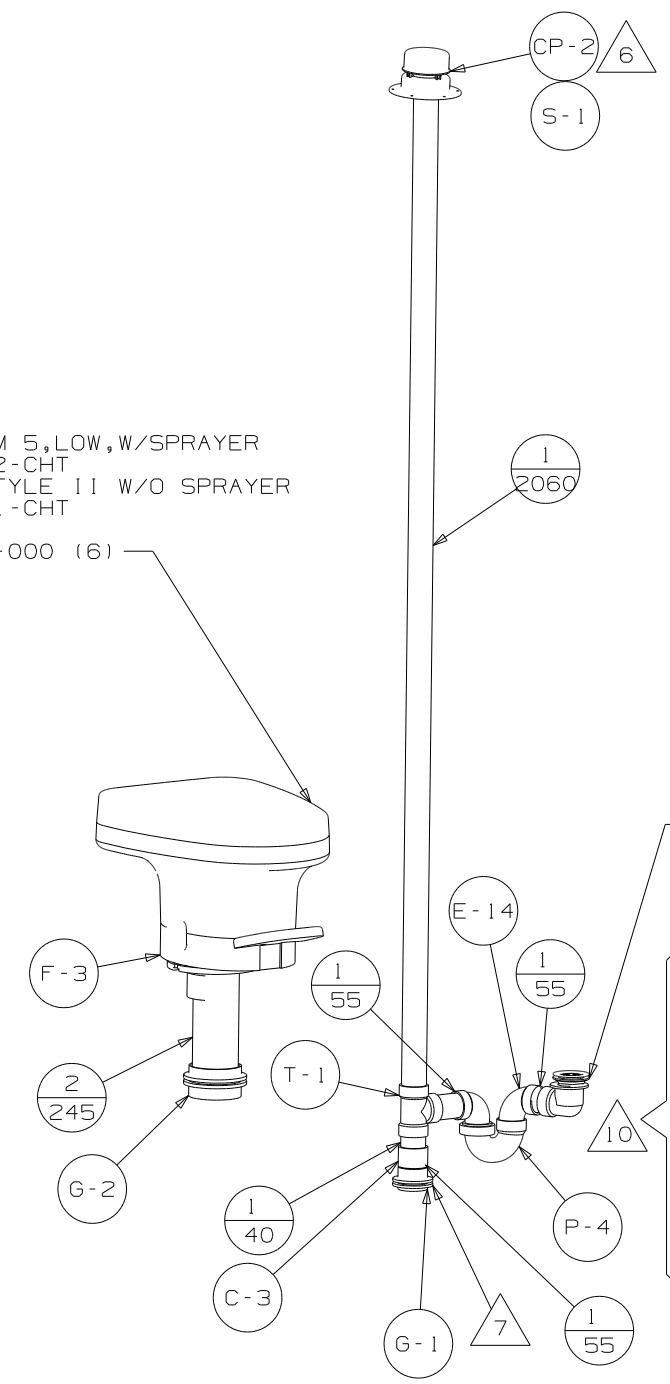
<b>WINNEBAGO</b>		COPYRIGHT 2007 WINNEBAGO INDUSTRIES, INC.	
DFT	ORIG. DATE	ALL DIMENSIONS ARE IN MILLIMETERS	
CHKR		FIRST USED	
P.E.		06 329B	
M.E.		UNSPECIFIED TOLERANCES ARE:	
DSNR		MATERIAL:	
		WHOLE DIM (X) :	3
		ONE-PLACE (X.X) :	
		TWO-PLACE (X.XX) :	
		ANGLE :	
		THIRD ANGLE PROJECTION	
DO NOT SCALE DRAWING			
TITLE: DRAINAGE SYSTEM INSTL			
SHEET 1 OF 3	PART NO	152530	REV

NOTES:



VIEW A

- 464 TOILET-AM 5, LOW, W/SPRAYER 147421-02-CHT
- 644 TOILET-STYLE 11 W/O SPRAYER 160815-01-CHT
- SCREW 87721-01-000 (6)

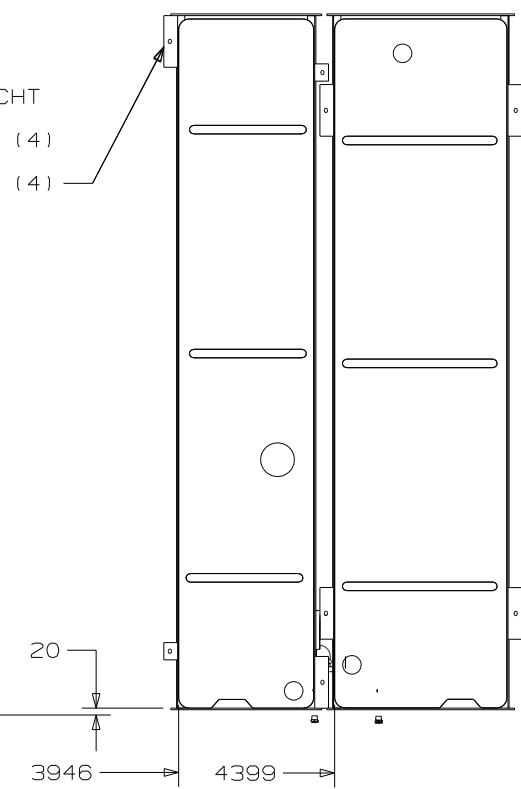
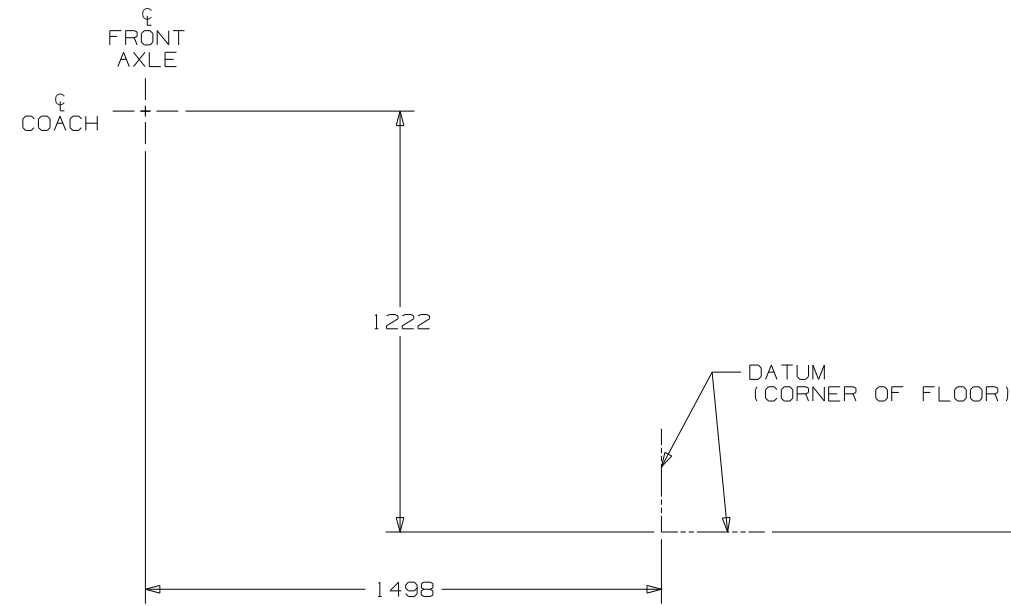


VIEW B

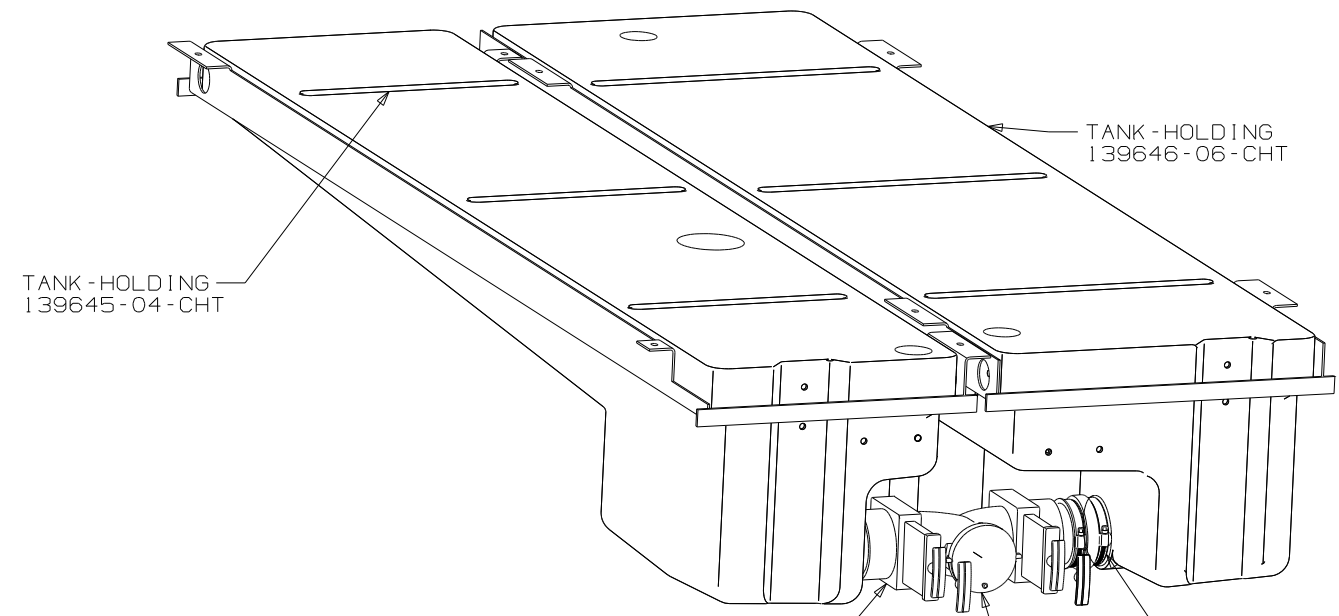
FIRST USED	06 329B	
TITLE	DO NOT SCALE DRAWING	
SHEET 2	PART NO 152530	REV
1 2/7/2007		

CRADLE ASM  
139596-01-CHT  
BOLT  
C18-05-40A (4)  
NUT  
D13-05-00B (4)

CRADLE ASM  
139597-01-CHT  
BOLT  
C18-05-40A (4)  
NUT  
D13-05-00B (4)

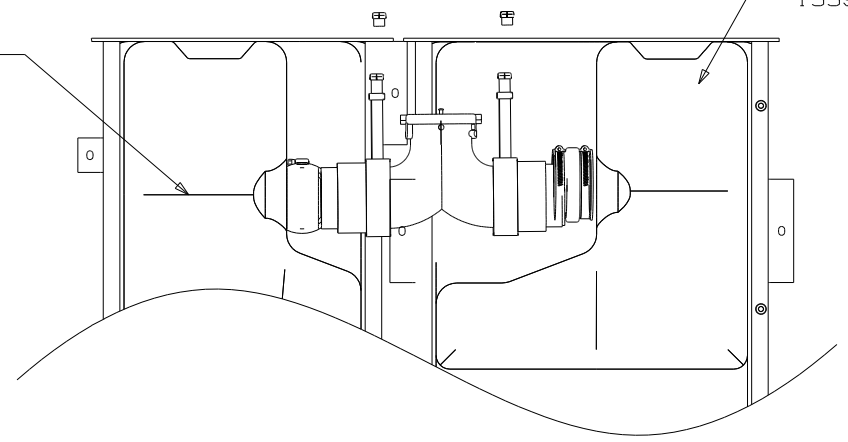


VIEW D

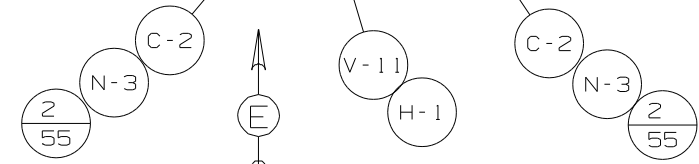


PAD-HEATER 133972-04-000

PAD-HEATER 133972-04-000



VIEW E



VIEW C

FIRST USED	06 329B	
TITLE	DO NOT SCALE DRAWING	
	DRAINAGE SYSTEM INSTL	
SHEET 3	PART NO 152530	REV

8

7

6

5

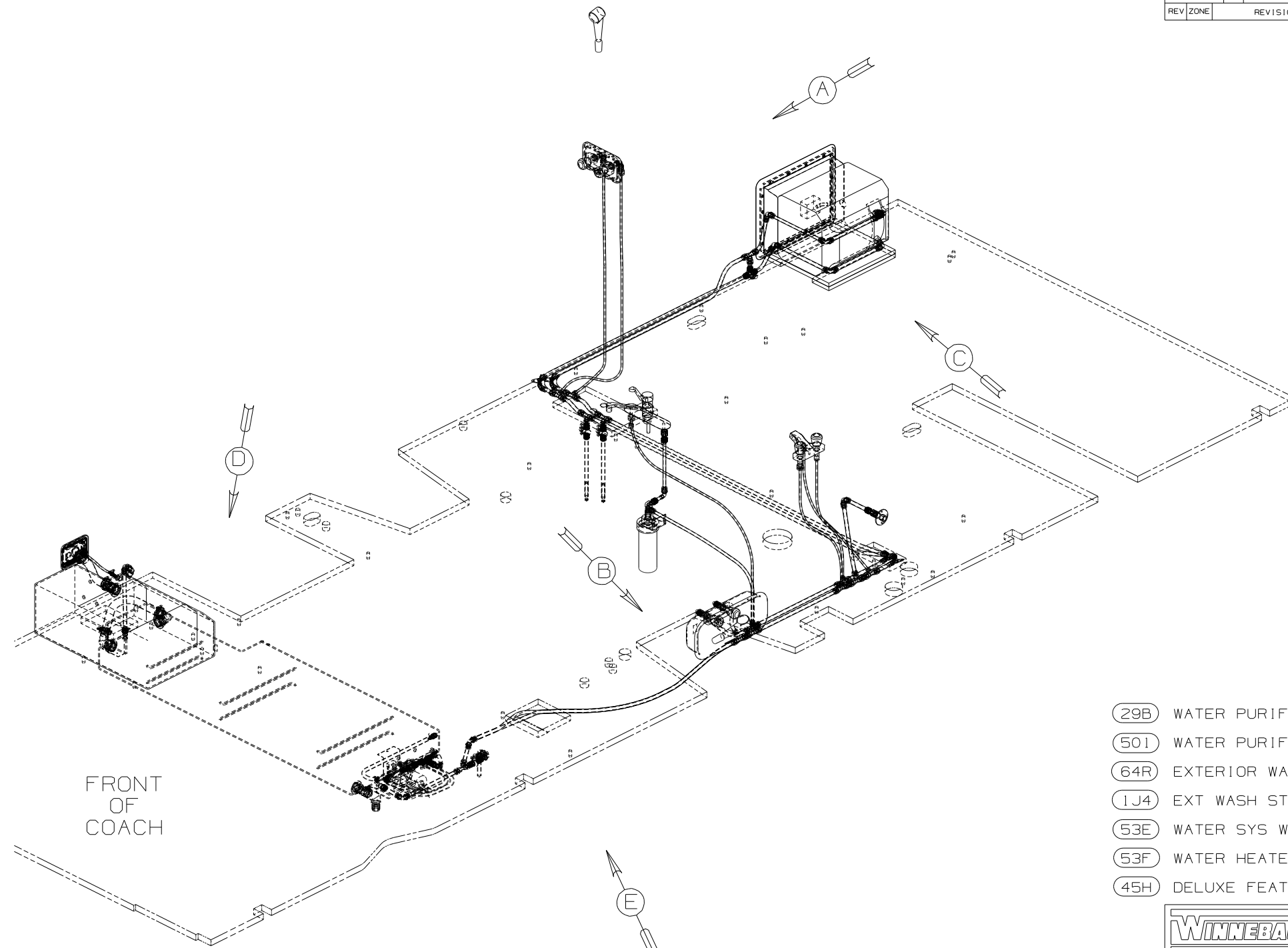
4

3

2

1

RELEASE	REV DATE	DWG NO
A		152531
REV ZONE	REVISION RECORD	DATE
		DFT-016



- 11 LABEL THE HOT AND COLD SUPPLY TUBES.
- 10 TAPE FITTING TO TUBE BEFORE CABINET SET TO PREVENT FITTING FROM MOVING.
- 9 THE BOLTS ON THE FRONT SIDE OF THE WATER TANK ARE TO BE INSTALLED WITH THE HEAD OF THE BOLT ON THE TOP SIDE OF THE FLOOR.
- 8 ATTACH WASHER-PLASTIC 87080-13-CHT WITH TAPE-DOUBLE 123816-03-000 ON BOTTOM SIDE OF LOWER FLOOR.
- 7 ATTACH WASHER-PLASTIC 87080-11-CHT WITH TAPE-DOUBLE 123816-03-000 ON BOTTOM SIDE OF COMPARTMENT.
- 6 ADD TEFLON TAPE 10405-01-000 TO FITTING.
- 5 ADD TEFLON TAPE 10405-03-000 TO FITTING.
- 4 ADD TEFLON TAPE 10405-02-000 TO FITTING.

FRONT OF COACH

- 29B WATER PURIFIER
- 50I WATER PURIFIER WITHOUT
- 64R EXTERIOR WASH STATION
- 1J4 EXT WASH STATION-WITHOUT
- 53E WATER SYS WINTERIZATION PKG
- 53F WATER HEATER-ELEC IGNITION
- 45H DELUXE FEATURE PACKAGE

- 3. ALL TUBING TO BE SECURED AT 1200 INTERVALS MAXIMUM WITH CLAMP 10495-01-000 OR CLIP 9151-01-000 AND SCREW G67-10-12B.
- 2. TUBING TO BE INSTALLED WITH SUFFICIENT SLOPE TO PROVIDE DRAINAGE TO NEAREST VALVE.
- 1. PLASTIC FITTINGS TO BE SEALED WITH SEALANT 84456-01-000.

NOTES:

(X-X)  
FOR WATER CALLOUTS SEE DWG NO 116230-01-000

<b>WINNEBAGO</b>		COPYRIGHT 2006 WINNEBAGO INDUSTRIES, INC.	
DFT	ORIG. DATE	ALL DIMENSIONS ARE IN MILLIMETERS	
CHKR		FIRST USED	
P.E.		06 329B	
M.E.		UNSPECIFIED TOLERANCES ARE:	
DSNR		MATERIAL:	
		WHOLE DIM (X)	: 7
		ONE-PLACE (X.X)	:
		TWO-PLACE (X.XX)	:
		ANGLE	:
THIRD ANGLE PROJECTION		DO NOT SCALE DRAWING	
TITLE: WATER SYSTEM INSTL			
SHEET 1 OF 3	PART NO	152531	
REF	1 6/13/2006		

8

7

6

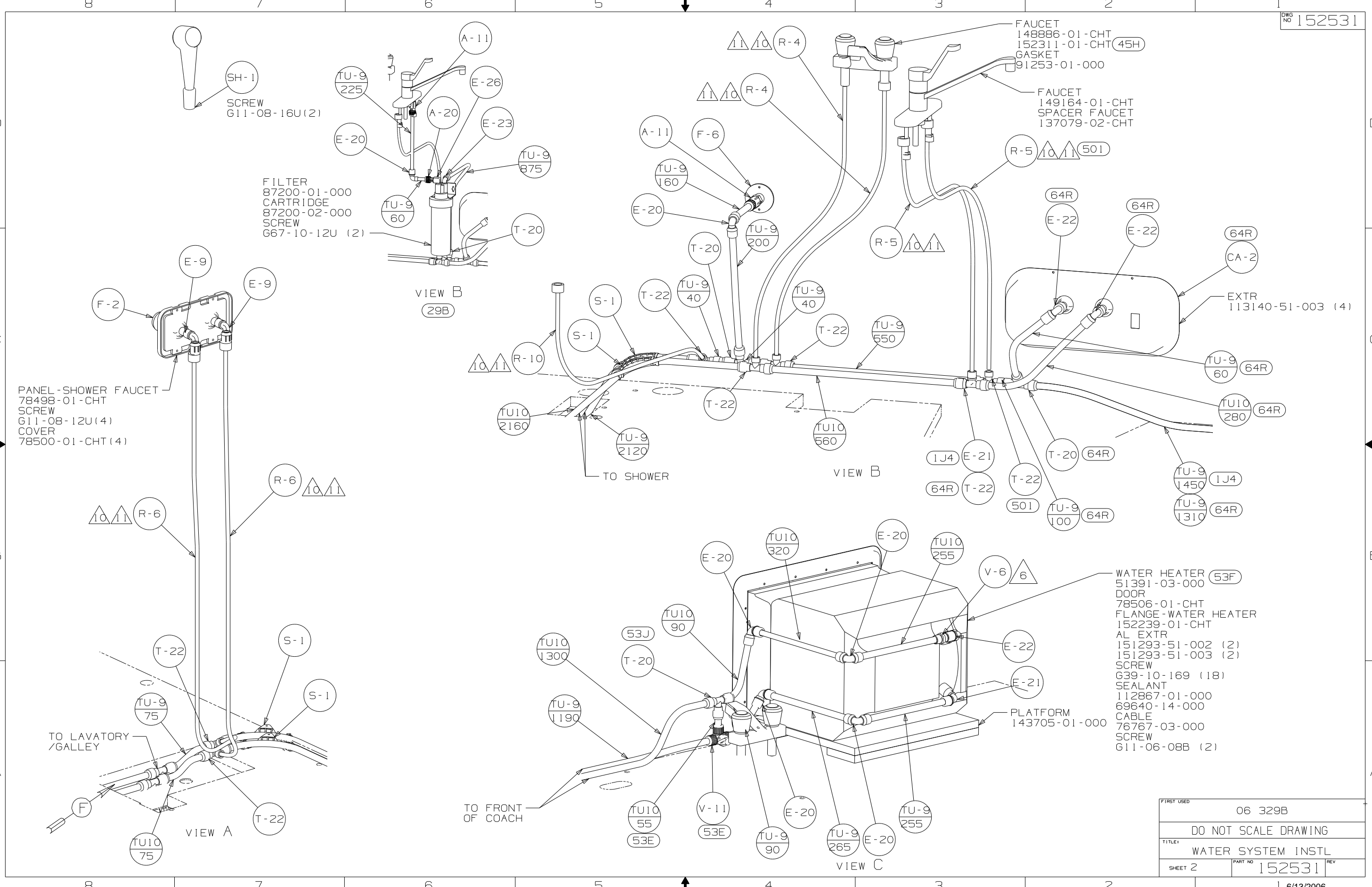
5

4

3

2

1



PANEL-SHOWER FAUCET  
78498-01-CHT  
SCREW  
G11-08-12U(4)  
COVER  
78500-01-CHT(4)

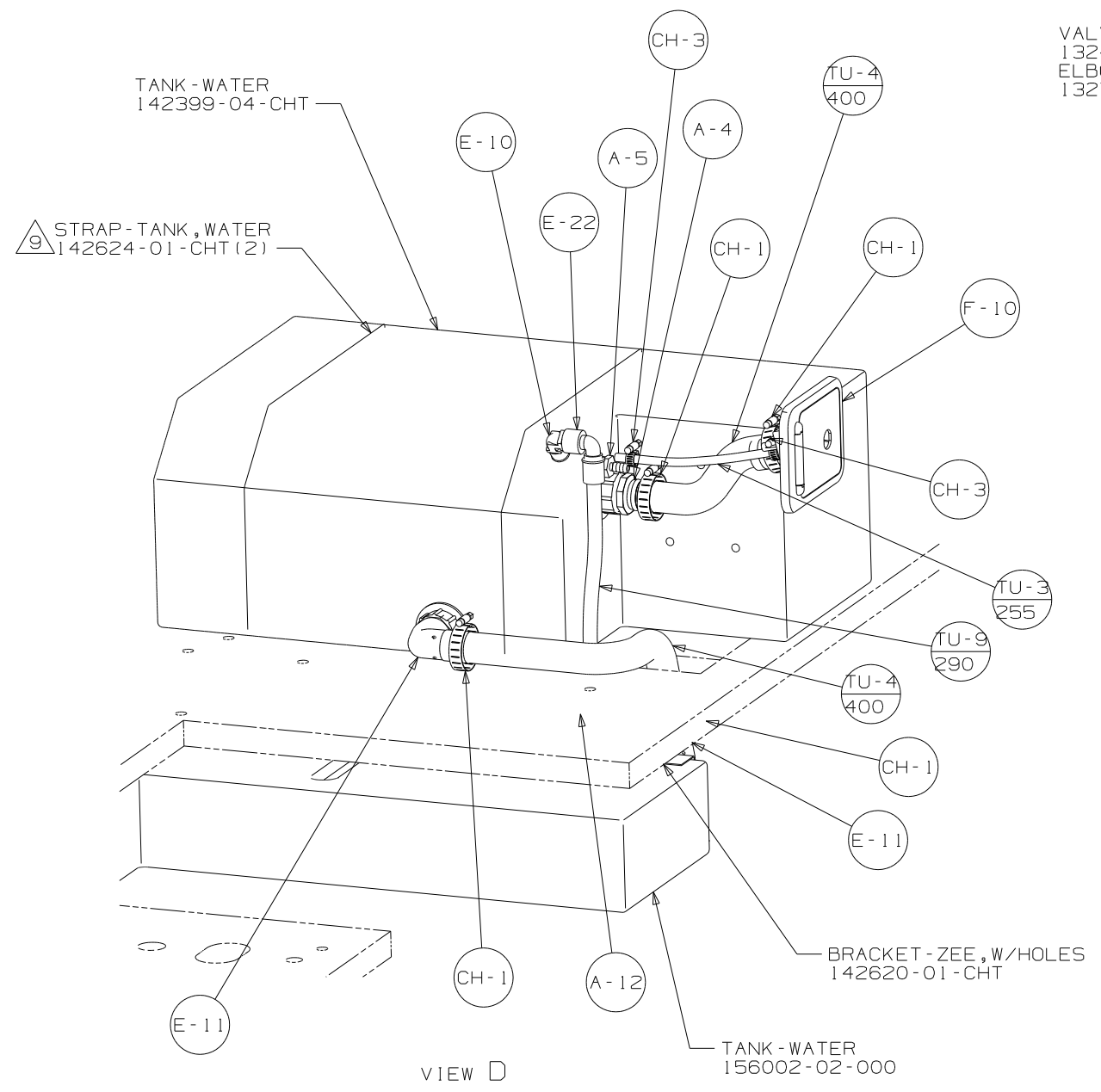
FILTER  
87200-01-000  
CARTRIDGE  
87200-02-000  
SCREW  
G67-10-12U (2)

FAUCET  
148886-01-CHT  
152311-01-CHT (45H)  
GASKET  
91253-01-000

FAUCET  
149164-01-CHT  
SPACER FAUCET  
137079-02-CHT

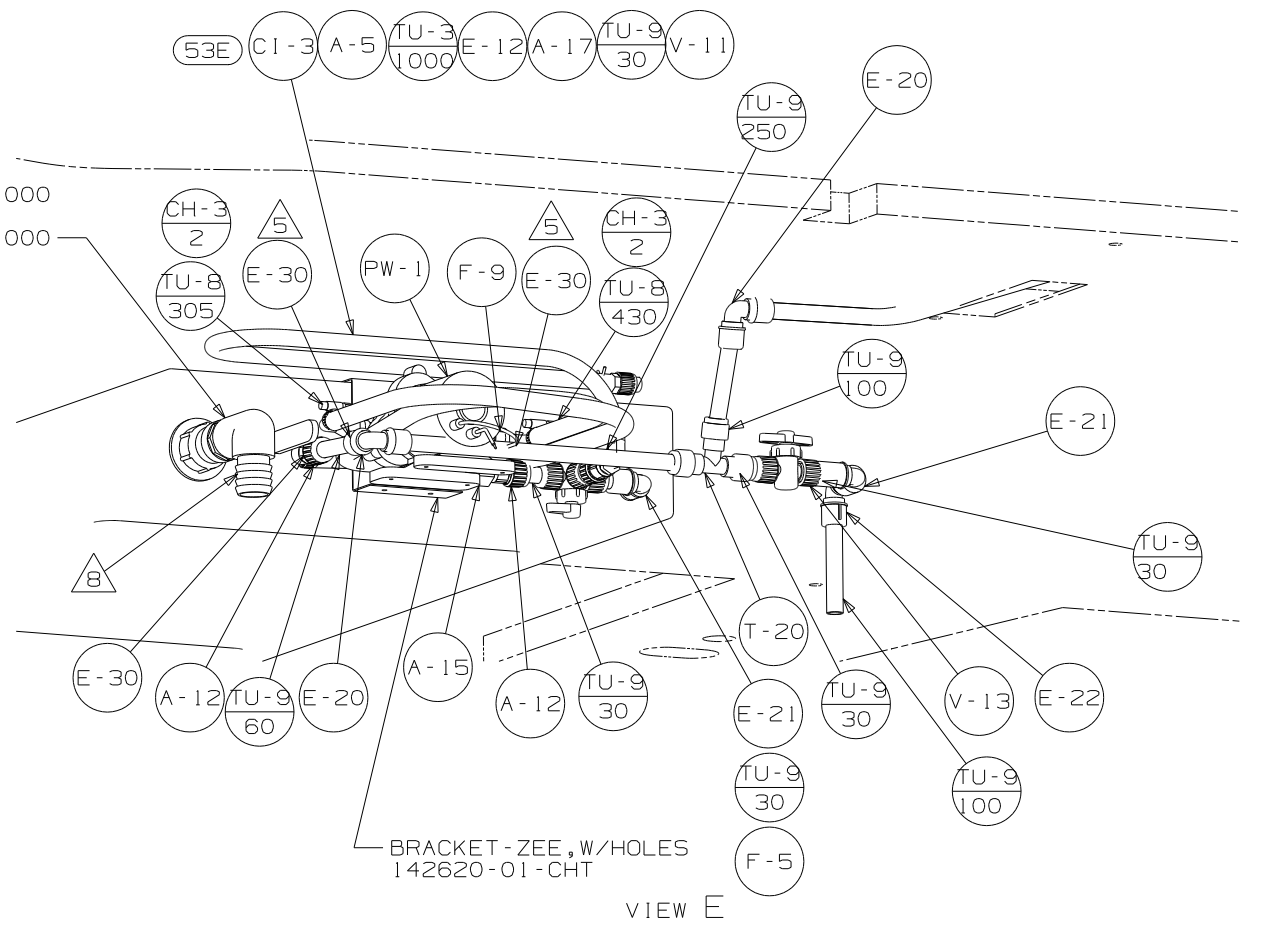
WATER HEATER (53F)  
51391-03-000  
DOOR  
78506-01-CHT  
FLANGE-WATER HEATER  
152239-01-CHT  
AL EXTR  
151293-51-002 (2)  
151293-51-003 (2)  
SCREW  
G39-10-169 (18)  
SEALANT  
112867-01-000  
69640-14-000  
PLATFORM  
143705-01-000  
CABLE  
76767-03-000  
SCREW  
G11-06-08B (2)

FIRST USED	06 329B
TITLE	DO NOT SCALE DRAWING
TITLE	WATER SYSTEM INSTL
SHEET 2	PART NO 152531 REV

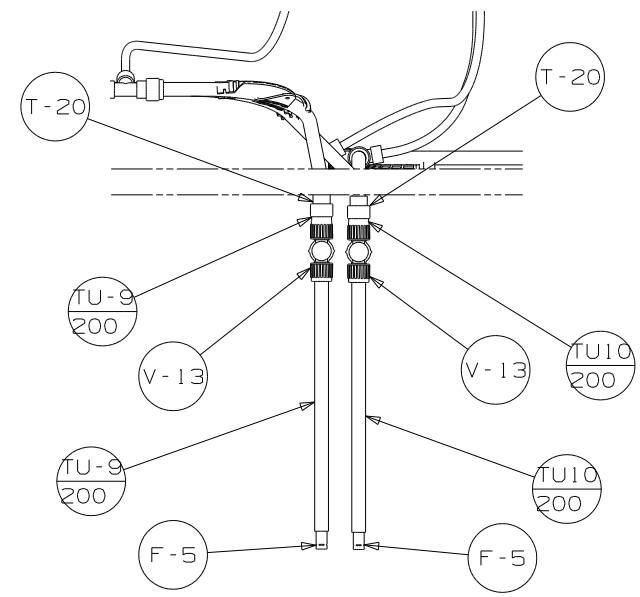


VIEW D

VALVE  
132483-01-000  
ELBOW  
132782-01-000



VIEW E



VIEW F

FIRST USED	06 329B
DO NOT SCALE DRAWING	
TITLE:	WATER SYSTEM INSTL
SHEET 3	PART NO 152531 REV