



DANGER

Danger of electrical shock, burns or death. Always remove all power sources before attempting any repair, service or diagnostic work. Power can be present from shore power, generator, inverter or battery. All power sources must be disabled and secured before performing any service.

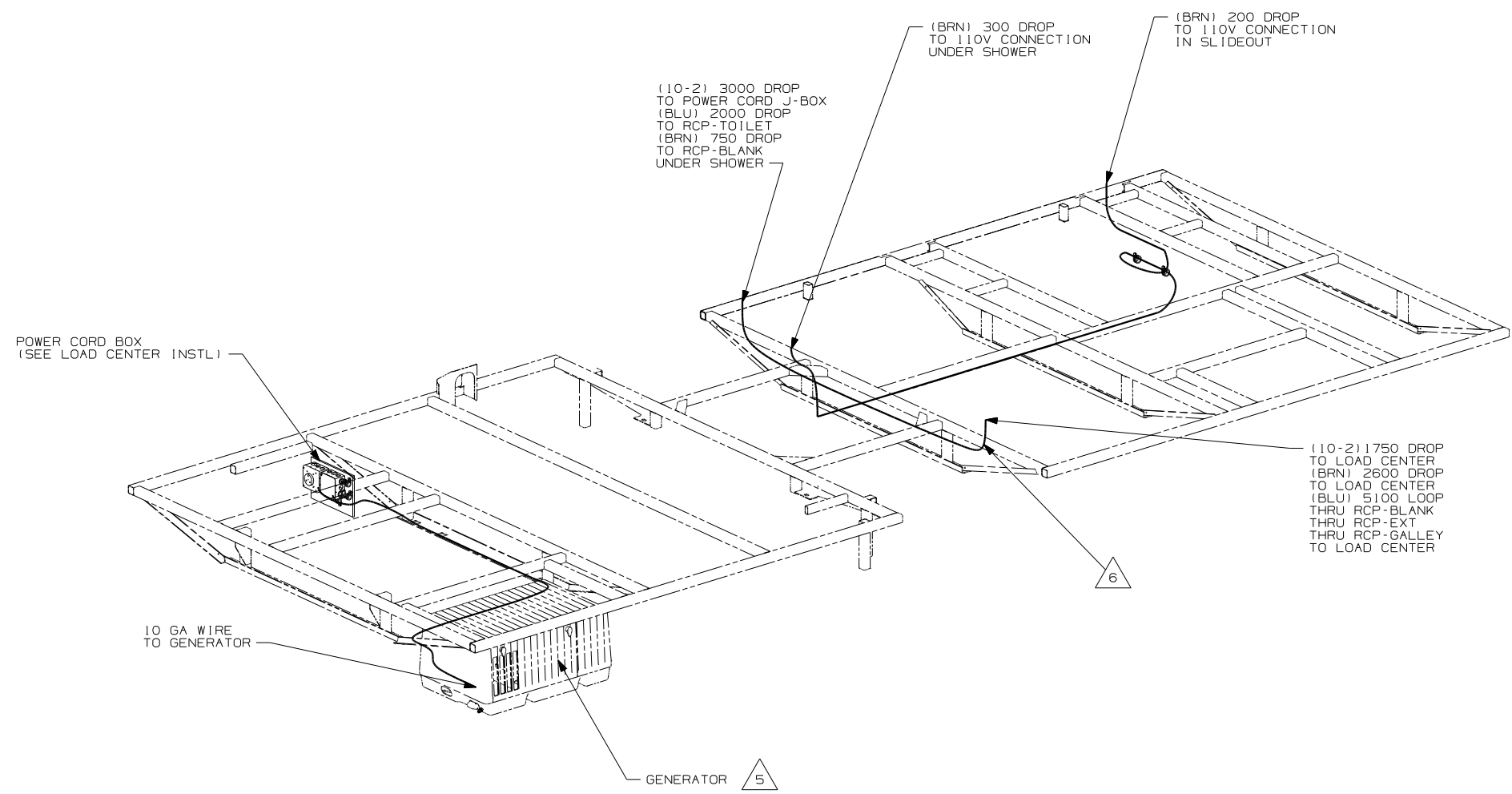


CAUTION

If you lack the skills, tools or equipment to perform diagnostic or repair work leave such work to an authorized Winnebago Industries dealer or other qualified shop.

DRAWING NO.	
154885-01	(1B1) (12D)
154885-02	(265) (12D)

RELEASE	REV DATE	DWG NO
A		154885
REV ZONE	REVISION RECORD	DATE



- △ 6 WIRE ASM-110V ROUTED UNDER FLOOR IN THIS AREA.
 △ 5 FOR MORE INFORMATION SEE GENERATOR INSTL.
- FOR MORE INFORMATION SEE WIRING DIAGRAM-BODY,110V.
 - ALL 110V WIRE TO BE CLAMPED WITH CLAMP 10497-05-000 WITHIN 200MM OF OUTLET BOXES, USE SCREW G67-10-12B.
 - ALL WIRES TO BE SECURED WITH CLAMP 10495-01-000 OR CLIP B0734-01-000 EVERY 600MM. USE SCREW G67-10-12B UNLESS OTHERWISE SPECIFIED.

NOTES:

- (12D) ELECTRICAL SYSTEM 30 AMP
- (265) CODES/STANDARDS-CSA/CMVSS
- (1B1) CODES/STANDARDS USA

(1B1) (265) (12D)

WINNEBAGO COPYRIGHT 2004 WINNEBAGO INDUSTRIES, INC.

DFT	ORIG. DATE
CHKR	ALL DIMENSIONS ARE IN MILLIMETERS
P.E.	
M.E.	FIRST USED
DSNR	06 327L

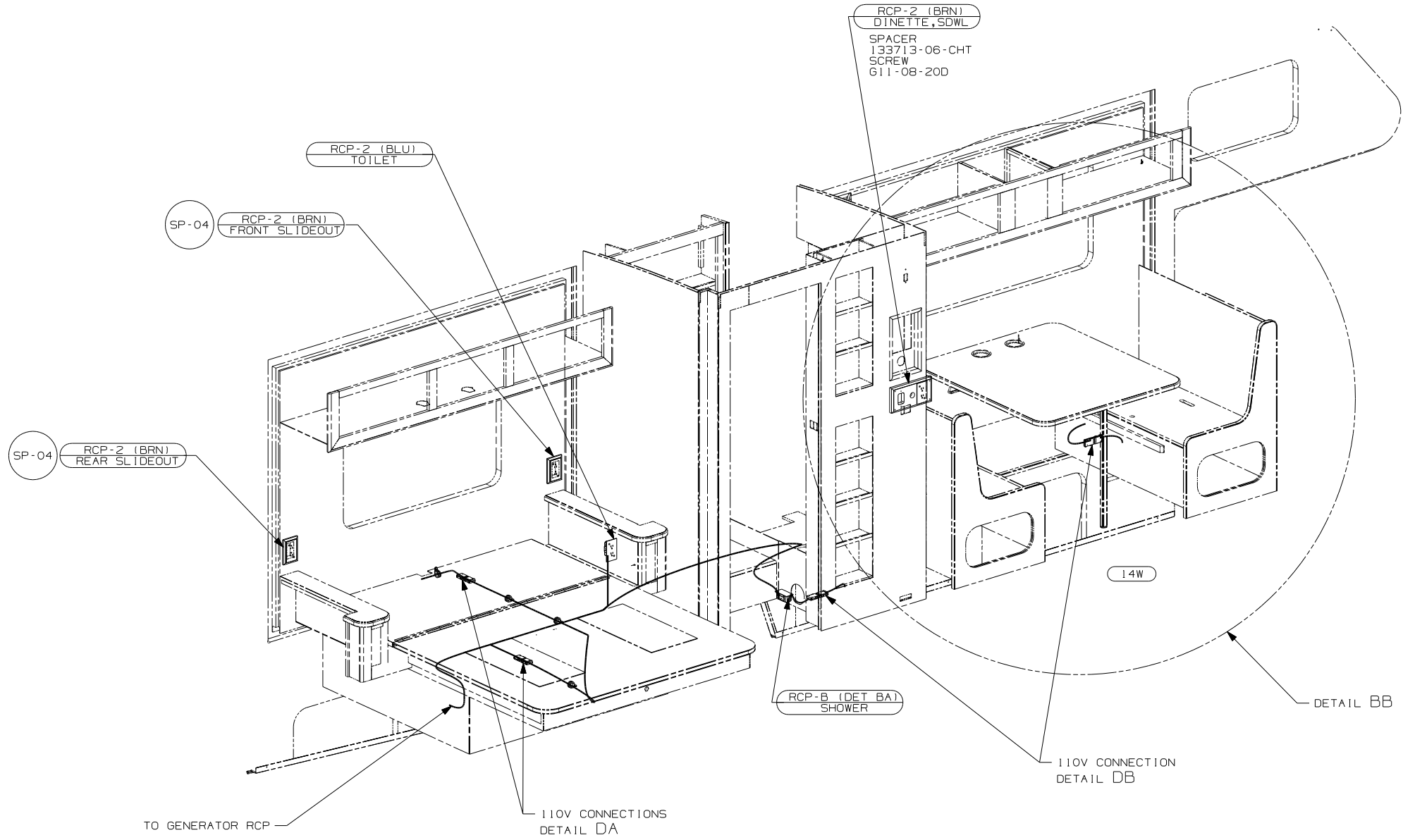
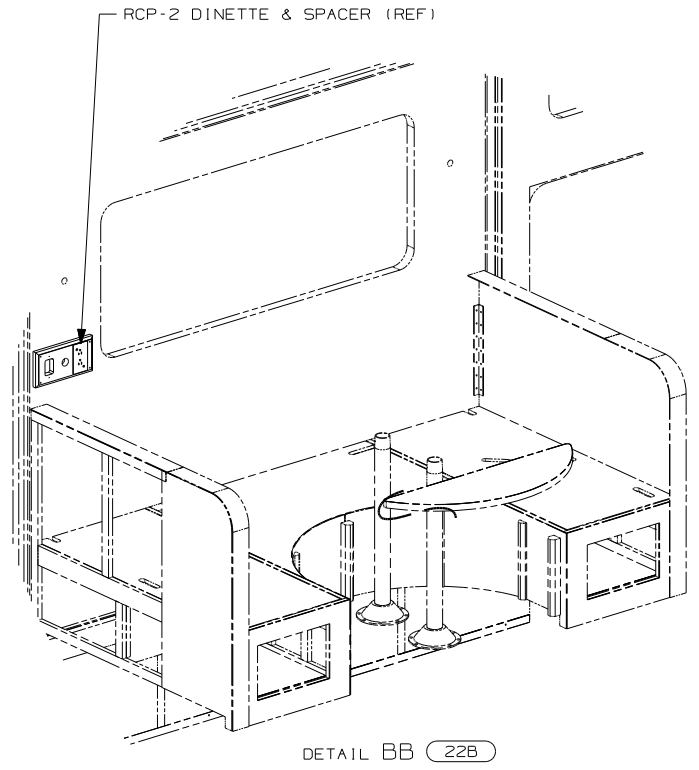
UNSPECIFIED TOLERANCES ARE:	MATERIAL:
WHOLE DIM (X) :	.
ONE-PLACE (X.X) :	.
TWO-PLACE (X.XX) :	.
ANGLE :	.
THIRD ANGLE PROJECTION	⊕

DO NOT SCALE DRAWING

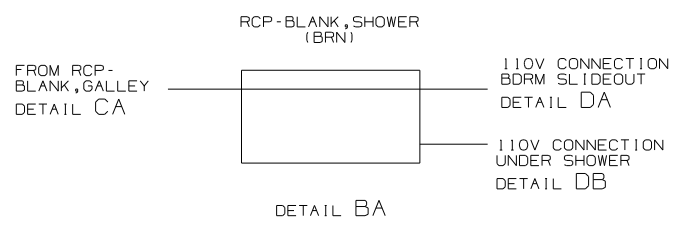
TITLE: WRING INSTL-BODY,110V

SHEET 1 of 4 PART NO 154885

REF: 1 11/9/2005



- NOTES:
- 6. WIRE ROUTED THROUGH FLOOR AT THIS POINT.
 - 5. FOR MORE INFORMATION SEE LOAD CENTER/ATS ASM.
 - 4. FOR MORE INFORMATION SEE WIRING DIAGRAM-BODY,110V.
 - 3. ALL GROUND WIRE TO BE COVERED WITH TUBING 8041-02-000.
 - 2. ALL 110V WIRE TO BE CLAMPED WITH CLAMP 10497-05-000 WITHIN 200MM OF OUTLET BOXES, USE SCREW 667-10-12B.
 - 1. ALL WIRES TO BE SECURED WITH CLAMP 10495-01-000 OR CLIP 80734-01-000 EVERY 600MM. USE SCREW 667-10-12B UNLESS OTHERWISE SPECIFIED.

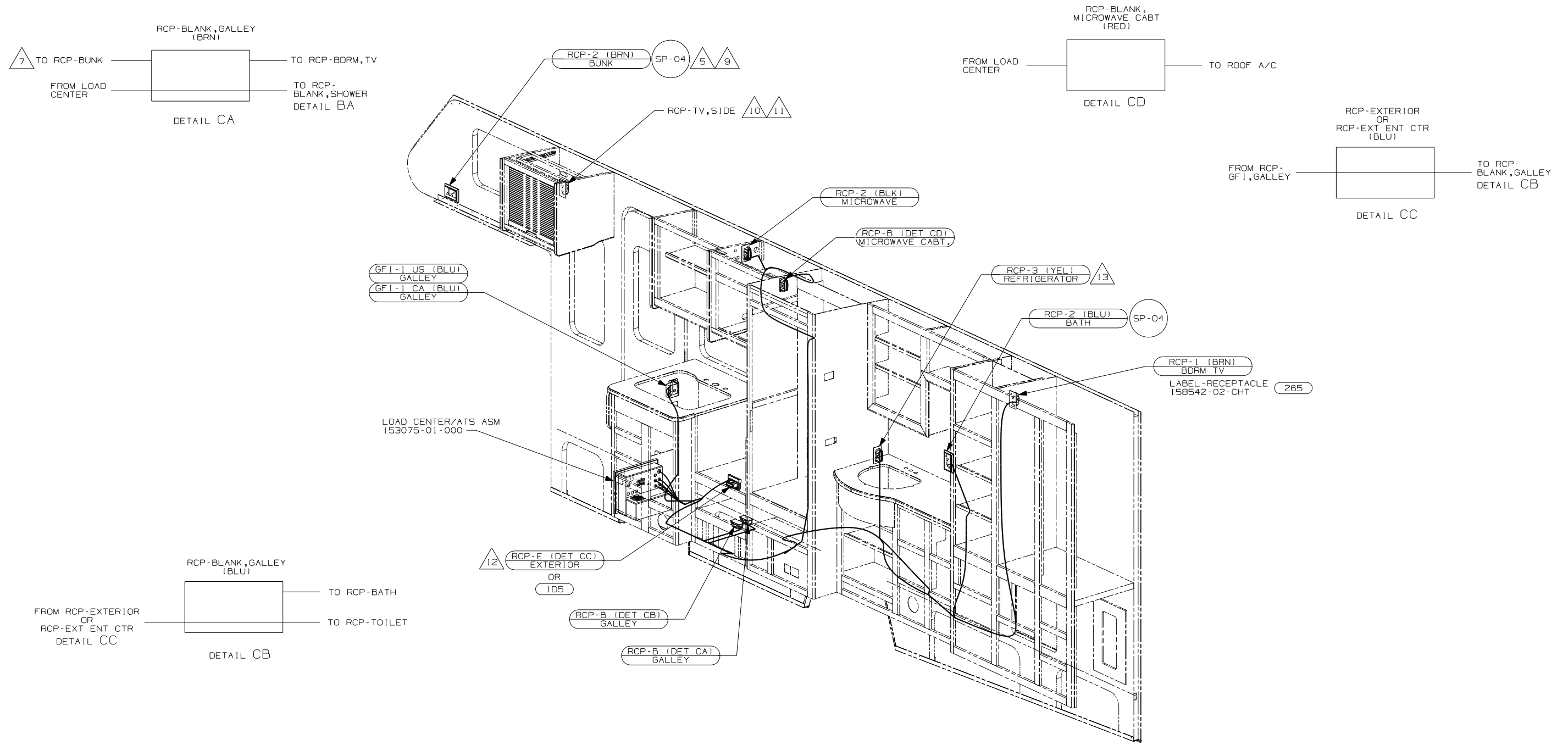


FOR ELECTRICAL TORQUE SPECIFICATIONS SEE DWG NO. 128783-01-000

FOR ELECTRICAL CALLOUTS SEE DWG NO. 121339-01-000

- 22B DINETTE - U-SHAPED
- 14W DINETTE
- 265 CODES/STANDARDS-CSA/CMVSS
- 1B1 CODES/STANDARDS USA

FIRST USED	06 327L
TITLE	DO NOT SCALE DRAWING
	WRING INSTL-BODY, 110V
SHEET 2	PART NO 154885



- △ 8 WIRE IN ROOF
- △ 7 WIRE IN SIDEWALL
- △ 6 WIRE ROUTED THROUGH FLOOR AT THIS POINT.
- △ 5 FOR MORE INFORMATION SEE WIRING INSTL-TV/VCR,FRONT.
- 4. FOR MORE INFORMATION SEE WIRING DIAGRAM-BODY,110V.
- 3. ALL GROUND WIRE TO BE COVERED WITH TUBING 8041-02-000.
- 2. ALL 110V WIRE TO BE CLAMPED WITH CLAMP 10497-05-000 WITHIN 200MM OF OUTLET BOXES, USE SCREW G67-10-12B.
- 1. ALL WIRES TO BE SECURED WITH CLAMP 10495-01-000 OR CLIP 80734-01-000 EVERY 600MM. USE SCREW G67-10-12B UNLESS OTHERWISE SPECIFIED.

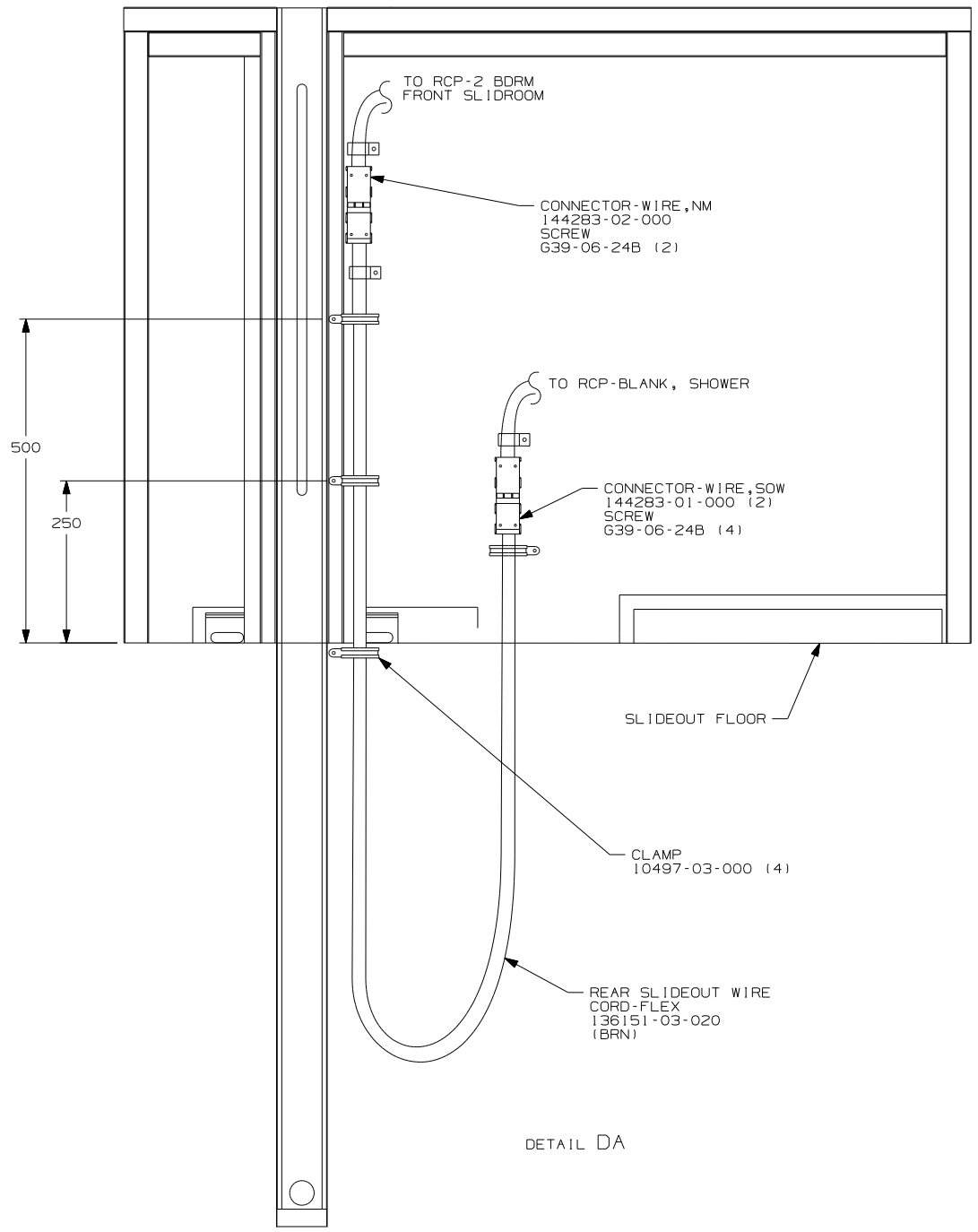
- △ 13 LOCATE REFRIGERATOR RECEPTACLE ON TIEDOWN BRACKET.
- △ 12 NOT USED WITH (105)
- △ 11 NOT USED WITH (42J) OR (1JR)
- △ 10 FOR MORE INFORMATION SEE WIRING INSTL-TV/VCR,SIDE.
- △ 9 NOT USED WITH (42J)

- (42J) TV-24" COLOR,STEREO W/REMOTE
- (1JR) TV-13" W/DVD-12V
- (105) ENTERTAINMENT CENTR/EXT W/CD
- (265) CODES/STANDARDS-CSA/CMVSS
- (1B1) CODES/STANDARDS USA

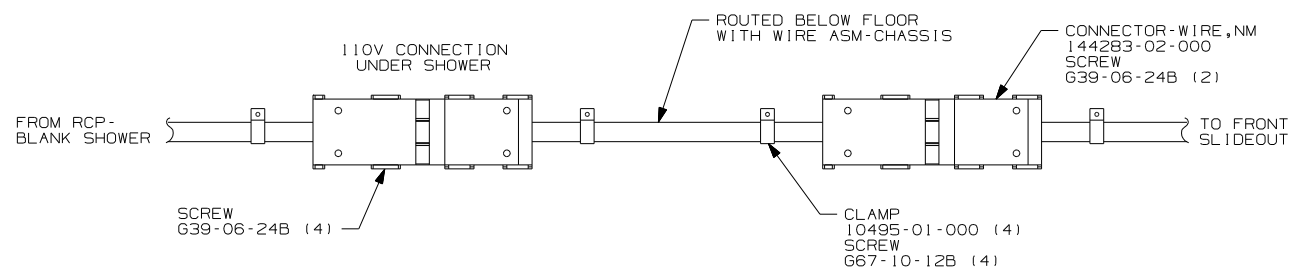
FIRST USED	
06 327L	
DO NOT SCALE DRAWING	
TITLE:	
WRING INSTL-BODY,110V	
SHEET 3	PART NO
	154885

FOR ELECTRICAL TORQUE SPECIFICATIONS SEE DWG NO. 128783-01-000

(X-X) FOR ELECTRICAL CALLOUTS SEE DWG NO. 121339-01-000



DETAIL DA



DETAIL DB

265 CODES/STANDARDS - CSA/CMVSS
 1B1 CODES/STANDARDS - USA

1B1 265

FIRST USED	06 327L
DO NOT SCALE DRAWING	
TITLE:	WRING INSTL - BODY, 110V
SHEET 4	PART NO 154885

FOR ELECTRICAL TORQUE SPECIFICATIONS SEE DWG NO. 128783-01-000

(X-X) FOR ELECTRICAL CALLOUTS SEE DWG NO. 121339-01-000