



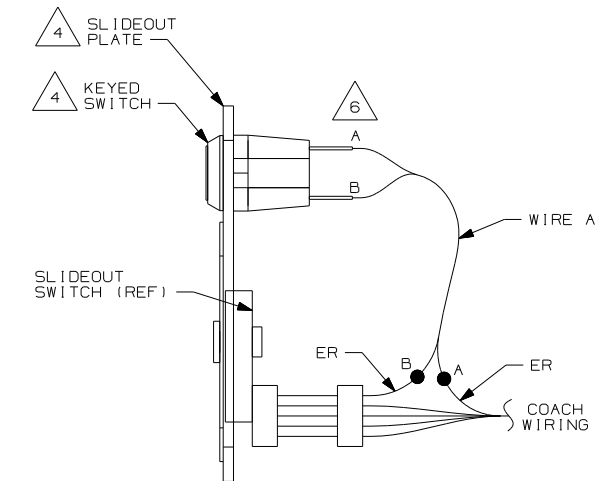
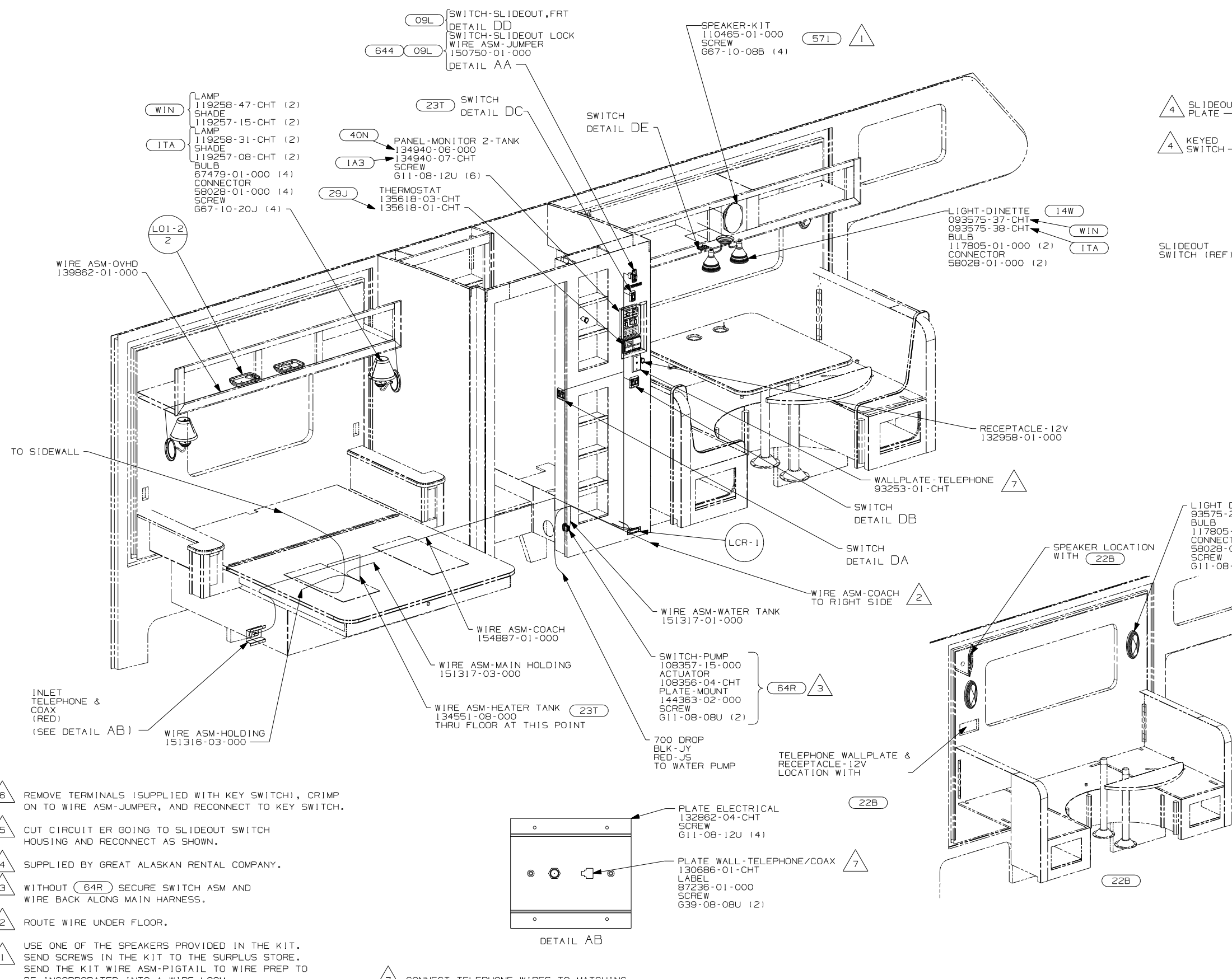
**DANGER**

**Danger of electrical shock, burns or death.** Always remove all power sources before attempting any repair, service or diagnostic work. Power can be present from shore power, generator, inverter or battery. All power sources must be disabled and secured before performing any service.



**CAUTION**

If you lack the skills, tools or equipment to perform diagnostic or repair work leave such work to an authorized Winnebago Industries dealer or other qualified shop.

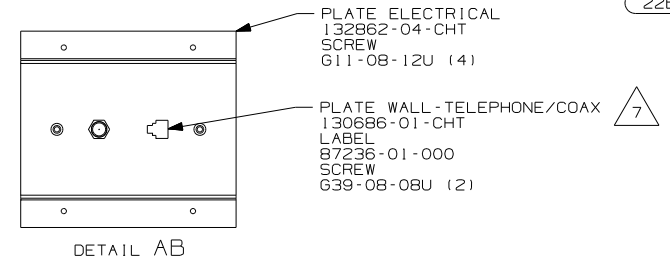


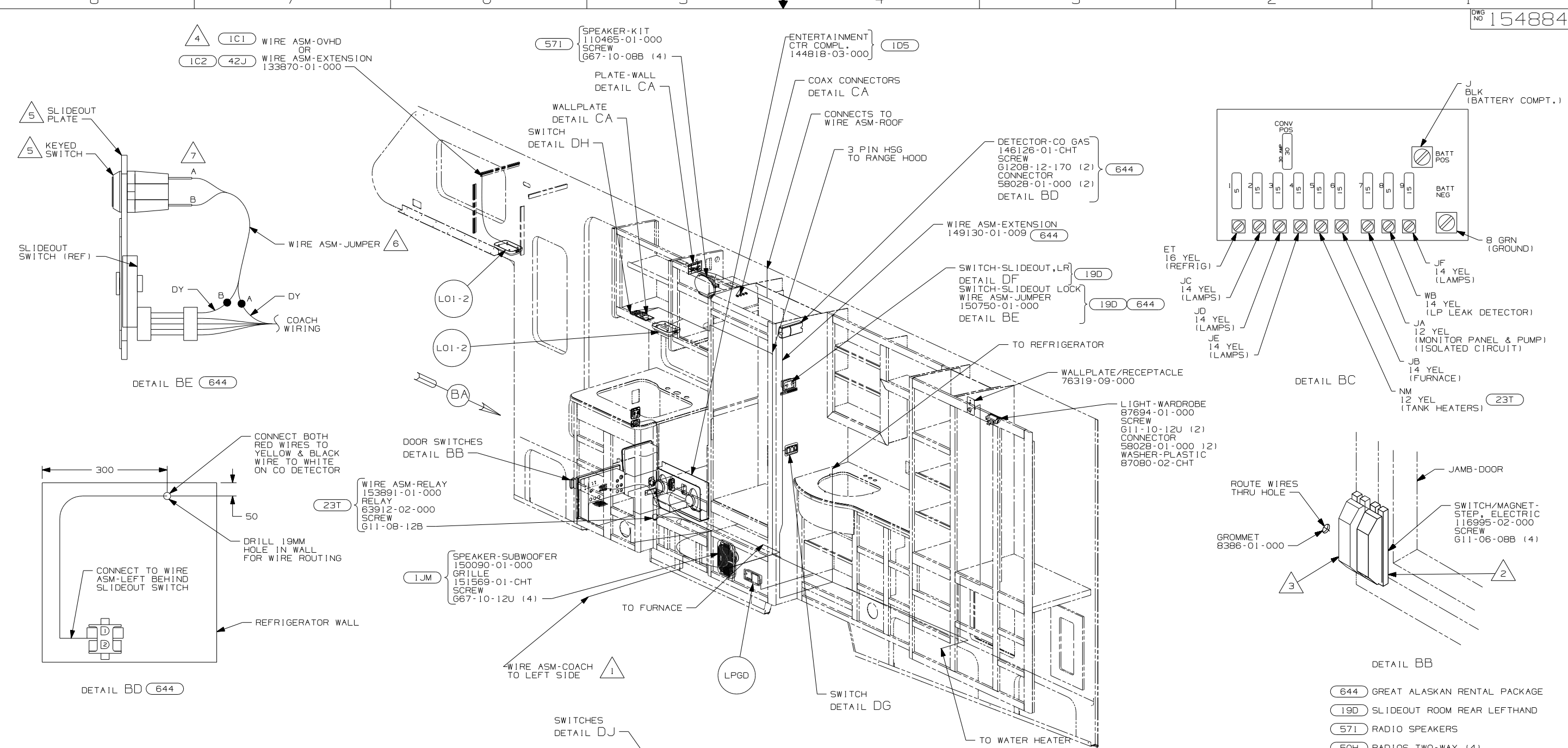
- (644) GREAT ALASKAN RENTAL PACKAGE
- (09L) SLIDEOUT ROOM FRONT LEFT
- (64R) EXTERIOR WASH STATION
- (571) RADIO SPEAKERS
- (40N) GEN-4.0KW-ONANGAS-MICROQUIET
- (29J) AC HEAT PUMP-1
- (23T) DRAINAGE SYSTEM-HEATED
- (22B) DINETTE - U-SHAPED
- (14W) DINETTE
- (1A3) GENERATOR WITHOUT
- (ITA) ITASCA ONLY
- (WIN) WINNEBAGO ONLY
- (265) CODES/STANDARDS-CSA/CMVSS
- (1B1) CODES/STANDARDS USA

<b>WINNEBAGO</b>		COPYRIGHT 2006 WINNEBAGO INDUSTRIES, INC.	
DFTR	ORIG. DATE		
CHKR		ALL DIMENSIONS ARE IN MILLIMETERS	
P.E.			
M.E.	FIRST USED	06 327L	
DSNR			
UNSPECIFIED TOLERANCES ARE:		MATERIAL:	
WHOLE DIM (X)	:		
ONE-PLACE (X.X)	:		
TWO-PLACE (X.XX)	:		
ANGLE	:		
THIRD ANGLE PROJECTION			
<b>DO NOT SCALE DRAWING</b>			
TITLE: WIRING INSTL. - BODY, 12V			
SHEET 1 OF 6	PART NO	154884	REV
REF:		1 6/15/2006	

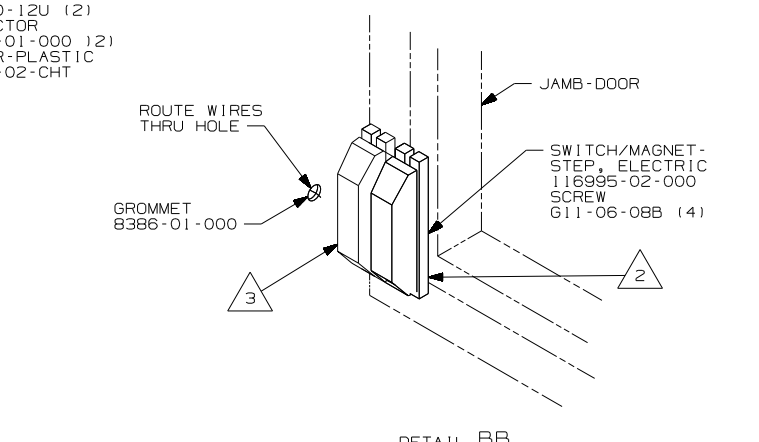
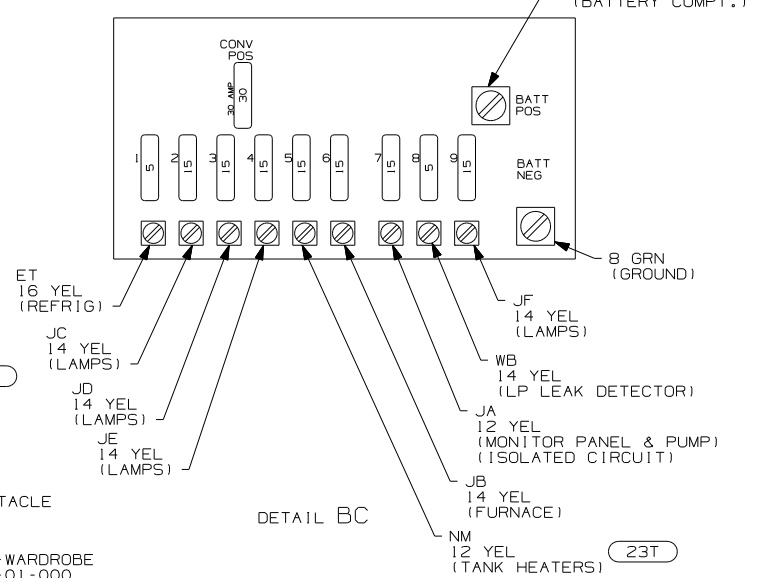
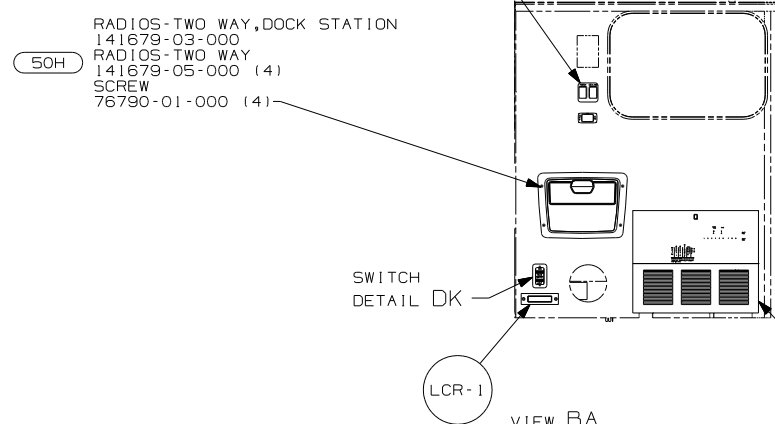
- NOTES:
- 6 REMOVE TERMINALS (SUPPLIED WITH KEY SWITCH), CRIMP ON TO WIRE ASM-JUMPER, AND RECONNECT TO KEY SWITCH.
  - 5 CUT CIRCUIT ER GOING TO SLIDEOUT SWITCH HOUSING AND RECONNECT AS SHOWN.
  - 4 SUPPLIED BY GREAT ALASKAN RENTAL COMPANY.
  - 3 WITHOUT (64R) SECURE SWITCH ASM AND WIRE BACK ALONG MAIN HARNESS.
  - 2 ROUTE WIRE UNDER FLOOR.
  - 1 USE ONE OF THE SPEAKERS PROVIDED IN THE KIT. SEND SCREWS IN THE KIT TO THE SURPLUS STORE. SEND THE KIT WIRE ASM-PIGTAIL TO WIRE PREP TO BE INCORPORATED INTO A WIRE LOOM.

7 CONNECT TELEPHONE WIRES TO MATCHING COLORS ON PLATE WALL-TELEPHONE.



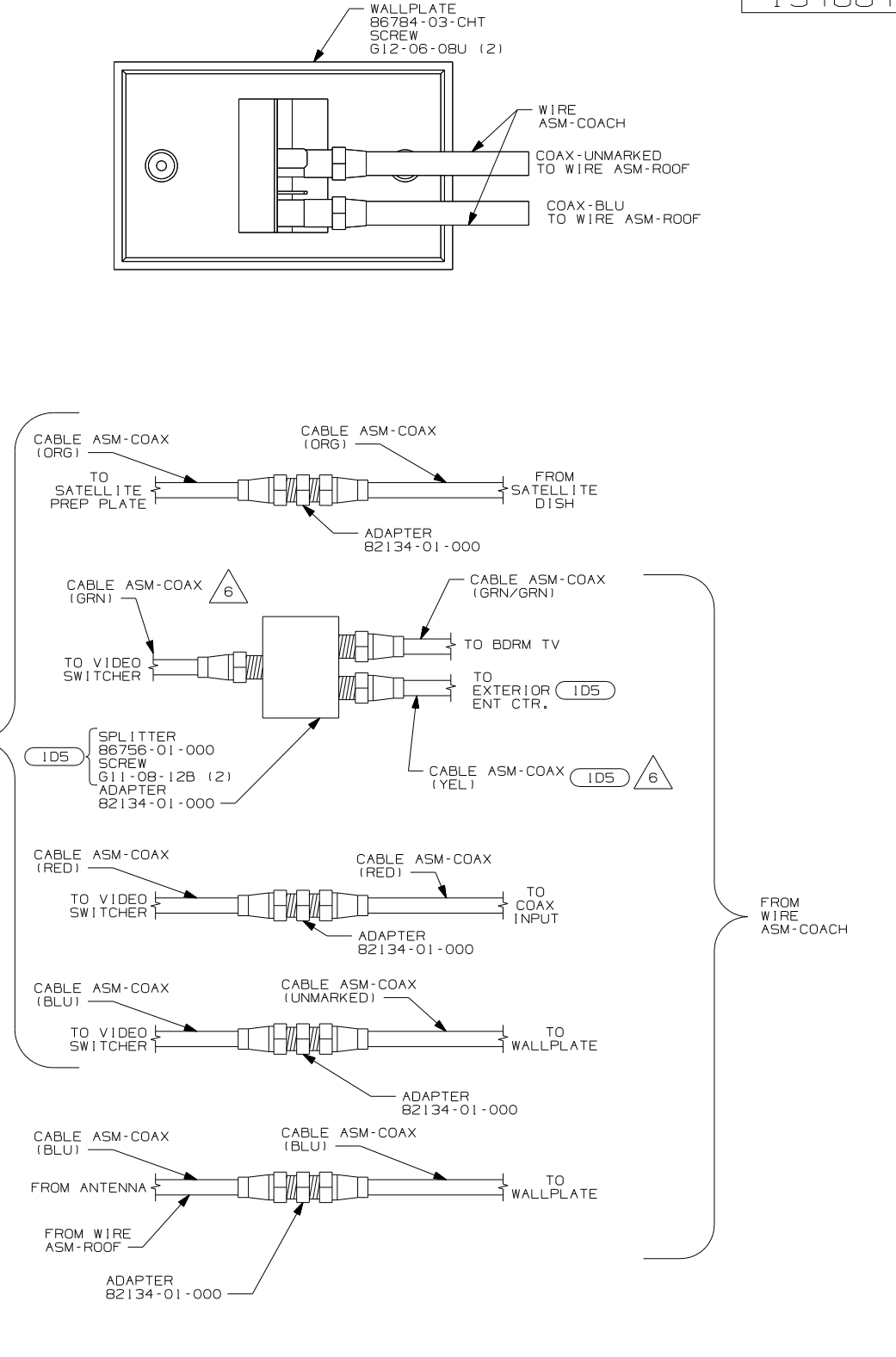
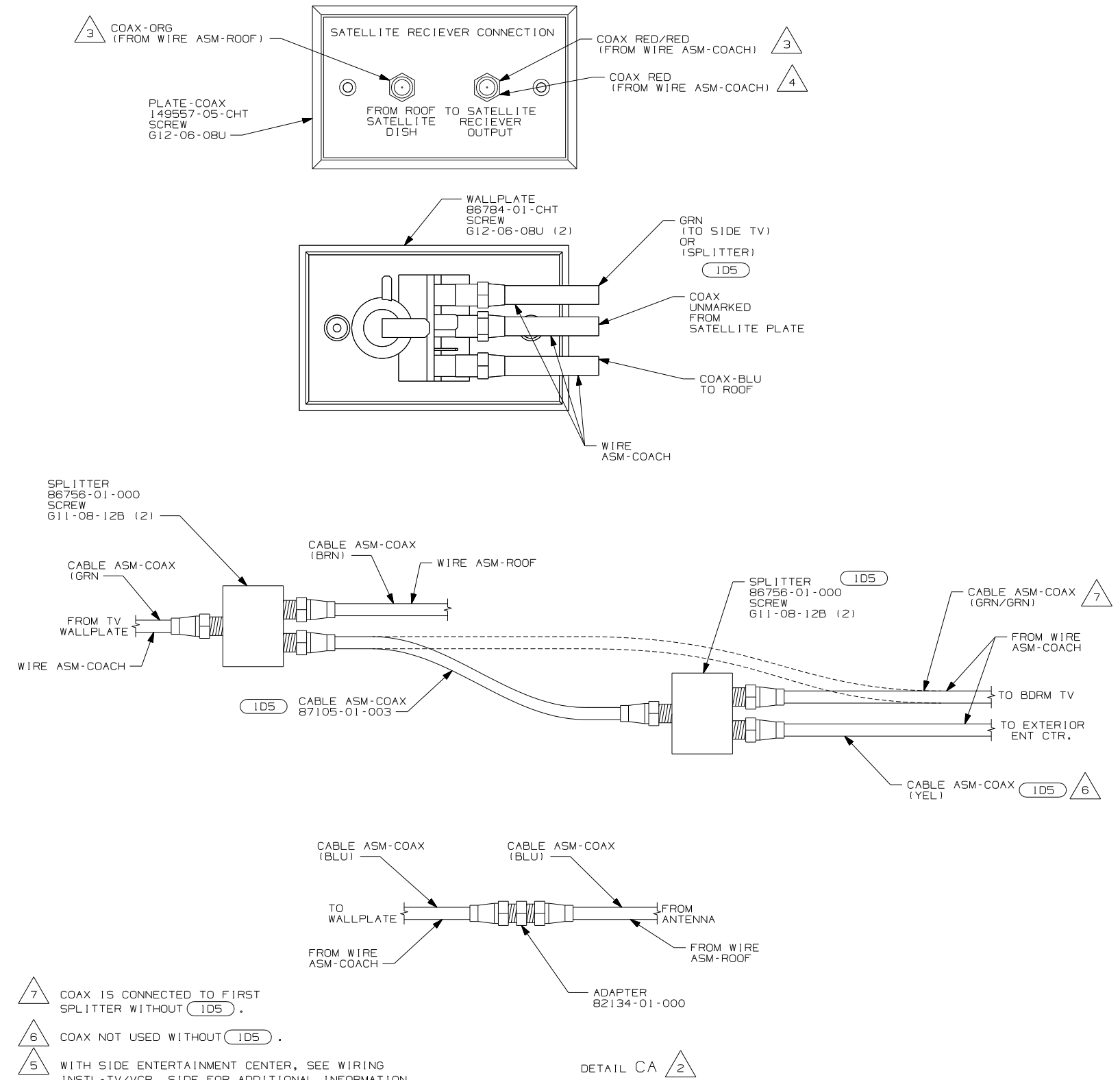


- 7 REMOVE TERMINALS (SUPPLIED WITH KEY SWITCH), CRIMP ON TO WIRE ASM-JUMPER, AND RECONNECT TO KEY SWITCH.
- 6 CUT CIRCUIT DY GOING TO SLIDEOUT SWITCH HOUSING AND RECONNECT AS SHOWN.
- 5 SUPPLIED BY GREAT ALASKAN RENTAL COMPANY.
- 4 SEE CABT ASM-OVHD FOR ADDITIONAL INFORMATION.
- 3 MOUNT SWITCH AND SPACER TO BLOCK ON DOOR JAMB. ADJUST HEIGHT TO MATCH MAGNET.
- 2 MOUNT MAGNET USING PILOT HOLES IN SCREEN DOOR FRAME. MOUNT WITH MAGNET TOWARD SWITCH.
- 1 WIRE ROUTED UNDER FLOOR.



- 644 GREAT ALASKAN RENTAL PACKAGE
- 19D SLIDEOUT ROOM REAR LEFTHAND
- 571 RADIO SPEAKERS
- 50H RADIOS TWO-WAY (4)
- 42J TV-24" COLOR, STEREO W/REMOTE
- 23T DRAINAGE SYSTEM-HEATED
- IC2 CABT-SIDE-CAB OVHD W/O TV ST
- IC1 CABINET-SIDE W/TV STORAGE
- IJM HOME THEATER SOUND SYSTEM
- 265 CODES/STANDARDS-CSA/CMVSS
- 1B1 CODES/STANDARDS USA

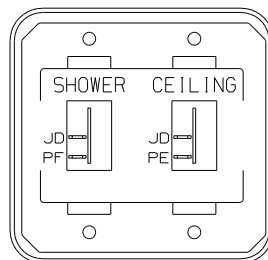
FIRST USED	06 327L	
TITLE	DO NOT SCALE DRAWING	
	WIRING INSTL.-BODY, 12V	
SHEET 2	PART NO	154884
	REV	



- NOTES:**
- 7 COAX IS CONNECTED TO FIRST SPLITTER WITHOUT ID5.
  - 6 COAX NOT USED WITHOUT ID5.
  - 5 WITH SIDE ENTERTAINMENT CENTER, SEE WIRING INSTL-TV/VCR, SIDE FOR ADDITIONAL INFORMATION.
  - 4 CONNECT COAX TO FRONT SIDE OF WALLPLATE.
  - 3 CONNECT COAX TO BACKSIDE OF WALLPLATE.
  - 2 WITHOUT 42J.
  - 1 WITH FRONT ENTERTAINMENT CENTER, SEE WIRING INSTL-TV/VCR, FRONT FOR ADDITIONAL INFORMATION.

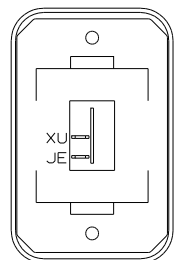
- 42J TV-24" COLOR, STEREO W/REMOTE
- ID5 ENTERTAINMENT CENTER/EXT W/CD
- 265 CODES/STANDARDS-CSA/CMVSS
- 1B1 CODES/STANDARDS USA

FIRST USED	06 327L
DO NOT SCALE DRAWING	
TITLE	WIRING INSTL.-BODY, 12V
SHEET 3	PART NO 154884 REV



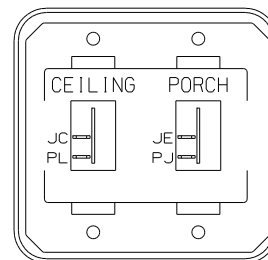
SWITCH-ROCKER  
135740-01-CHT (2)  
SWITCH-BASE  
135741-02-CHT  
SWITCH-BEZEL  
135742-15-CHT  
SCREW  
G11-08-08U (4)

DETAIL DA



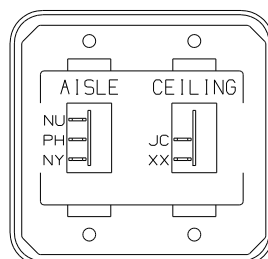
SWITCH-ROCKER  
135740-01-CHT  
SWITCH-BASE  
135741-01-CHT  
SWITCH-BEZEL  
135742-01-CHT  
SCREW  
G11-08-08U (2)

DETAIL DE (14W)



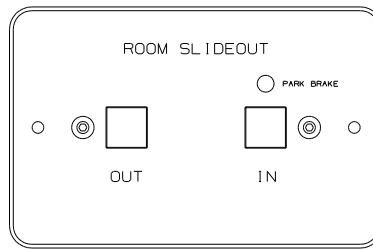
SWITCH-ROCKER  
135740-01-CHT (2)  
SWITCH-BASE  
135741-02-CHT  
SWITCH-BEZEL  
135742-19-CHT  
SCREW  
G11-08-08U (4)

DETAIL DJ



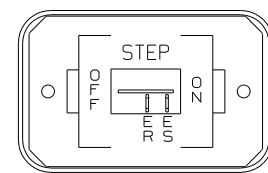
SWITCH-ROCKER  
135740-01-CHT  
135740-02-CHT  
SWITCH-BASE  
135741-02-CHT  
SWITCH-BEZEL  
135742-13-CHT  
SCREW  
G11-08-08U (4)

DETAIL DB



SWITCH ASM-SLIDEOUT  
140464-02-000

DETAIL DF (19D)



SWITCH-ROCKER  
135740-01-CHT  
SWITCH-BASE  
135741-01-CHT  
SWITCH-BEZEL  
135742-11-CHT  
SCREW  
G11-08-08U (2)

(1E2) (1)

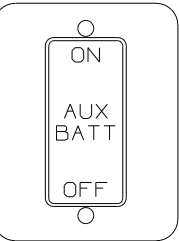
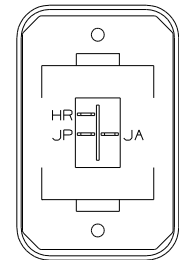


PLATE-SWITCH  
98351-07-CHT  
SWITCH-BATTERY, DISC  
108357-06-000  
ACTUATOR-SWITCH  
108356-11-CHT  
SCREW  
G11-06-10U (4)  
CIRCUITS  
KF, KF, LJ, LJ, LH, LG (1)

DETAIL DK

**WARNING** UNDERSTAND OPERATOR'S MANUAL BEFORE USING  
KEEP PEOPLE AND OBSTRUCTIONS CLEAR OF  
SLIDEOUT ROOM WHEN OPERATING TO AVOID  
INJURY AND/OR PROPERTY DAMAGE

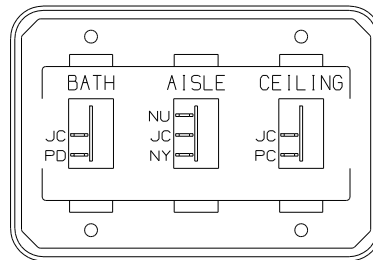
LABEL-WARNING  
116549-01-000



SWITCH-ROCKER  
135740-06-CHT  
SWITCH-BASE  
135741-01-CHT  
SWITCH-BEZEL  
135742-01-CHT  
SCREW  
G11-08-08U (2)

DETAIL DC (23T)

HOLDING TANK HEATER  
TURN OFF When Not In Use  
SEE OPERATORS MANUAL



SWITCH-ROCKER  
135740-01-CHT (2)  
135740-02-CHT  
SWITCH-BASE  
135741-03-CHT  
SWITCH-BEZEL  
135742-24-CHT  
SCREW  
G11-08-08U (4)

DETAIL DG

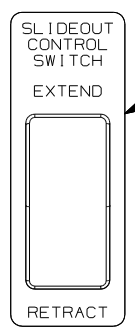
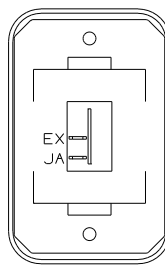


PLATE-SWITCH  
144363-09-000  
SWITCH  
108357-06-CHT  
ACTUATOR  
108356-02-CHT  
NUT  
D65-08-00B (2)  
LABEL  
116220-01-000  
CIRCUITS  
DR, ER, DU (1)

DETAIL DD (09L)

**WARNING** UNDERSTAND OPERATOR'S MANUAL BEFORE USING  
KEEP PEOPLE AND OBSTRUCTIONS CLEAR OF  
SLIDEOUT ROOM WHEN OPERATING TO AVOID  
INJURY AND/OR PROPERTY DAMAGE

LABEL-WARNING  
116549-01-000



SWITCH-ROCKER  
135740-01-CHT  
SWITCH-BASE  
135741-01-CHT  
SWITCH-BEZEL  
135742-01-CHT  
SCREW  
G11-08-08U (2)

DETAIL DH (1JR)

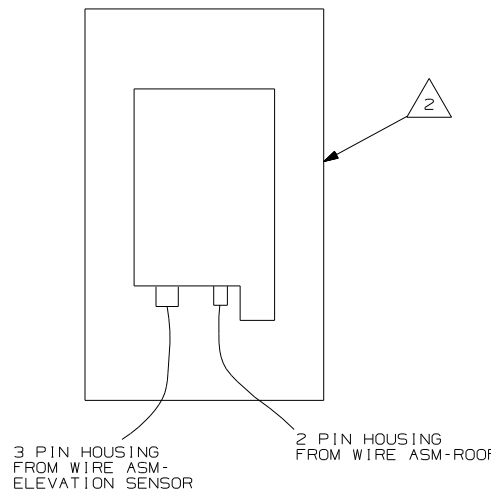
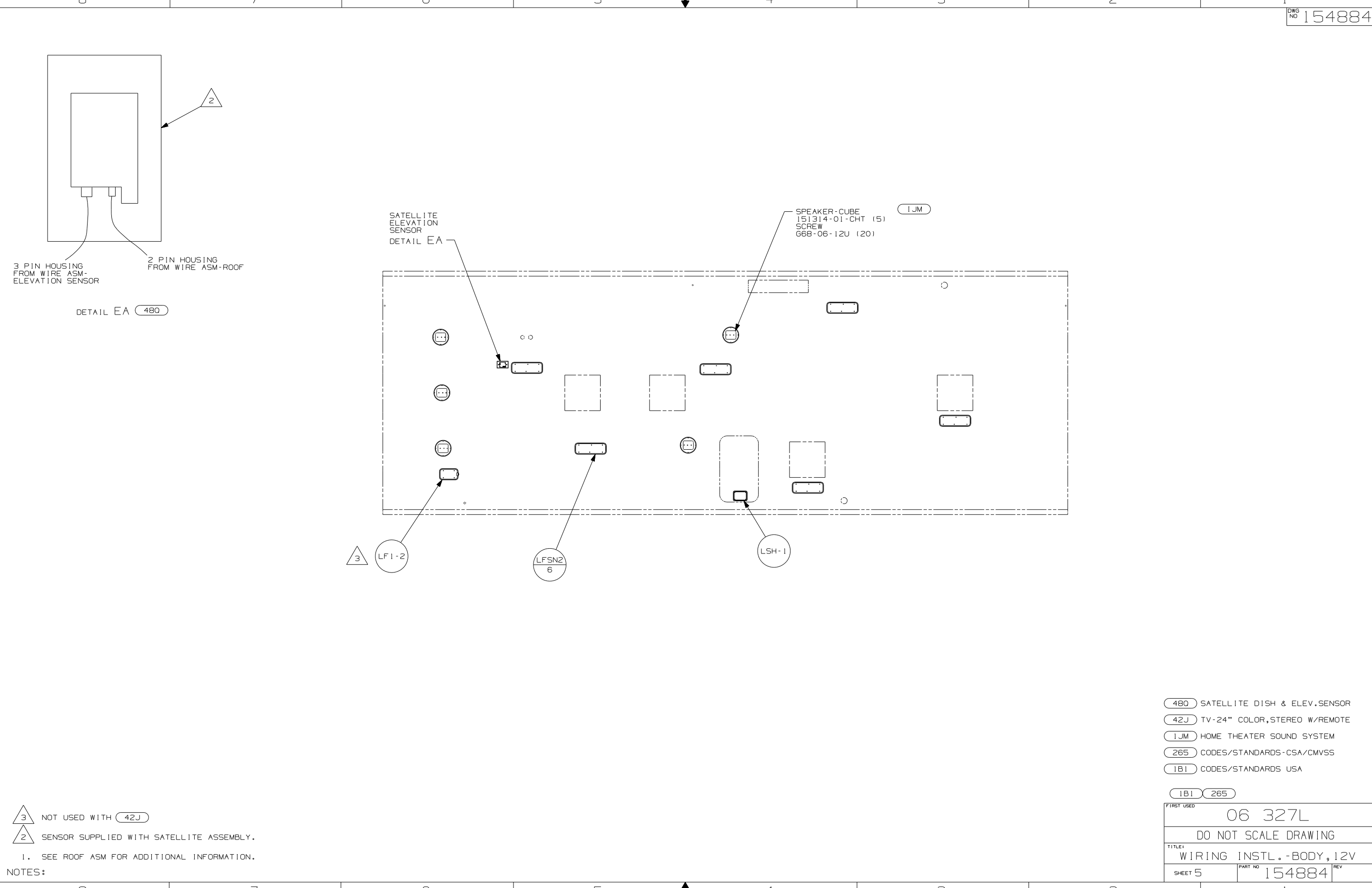
- (23T) DRAINAGE SYSTEM-HEATED
- (19D) SLIDEOUT ROOM REAR LEFTHAND
- (14W) DINETTE
- (1JR) TV-13" W/DVD-12V
- (1E2) ENTRANCE STEP-ELEC.
- (09L) SLIDEOUT ROOM FRONT LEFT
- (265) CODES/STANDARDS-CSA/CMVSS
- (1B1) CODES/STANDARDS USA

(1B1) (265)

FIRST USED	06 327L
TITLE	DO NOT SCALE DRAWING
	WIRING INSTL.-BODY, 12V
SHEET 4	PART NO 154884 REV

(1) CIRCUITS PART OF WIRE ASM-CHASSIS.

NOTES:



SATELLITE ELEVATION SENSOR  
DETAIL EA

SPEAKER-CUBE  
151314-01-CHT (5)  
SCREW  
668-06-12U (20)

1JM

DETAIL EA 480

3

LF1-2

LFSN2  
6

LSH-1

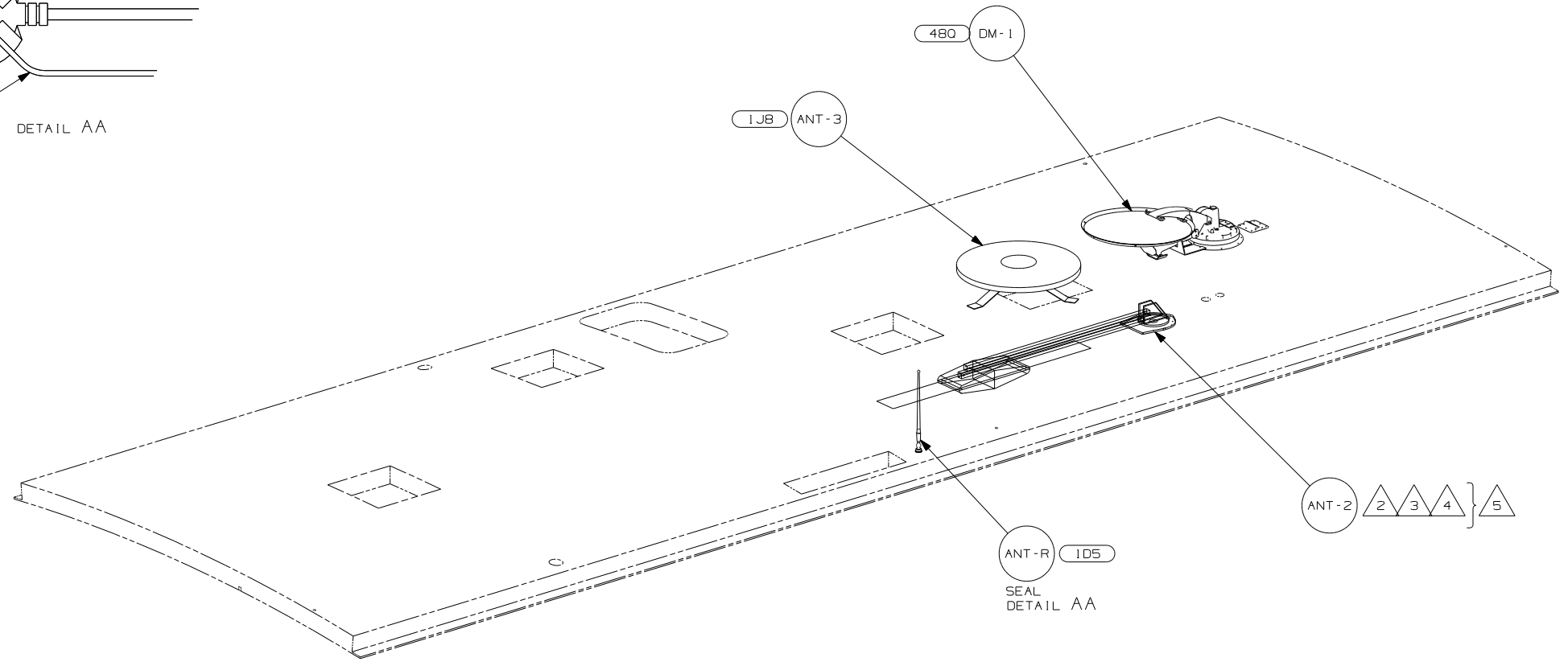
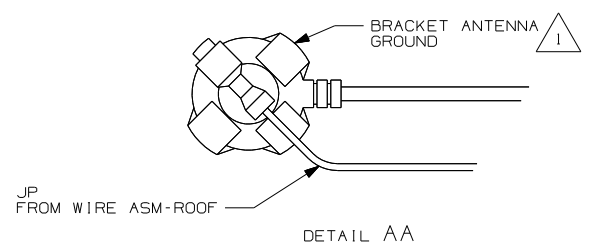
- 480 SATELLITE DISH & ELEV.SENSOR
- 42J TV-24" COLOR,STEREO W/REMOTE
- 1JM HOME THEATER SOUND SYSTEM
- 265 CODES/STANDARDS-CSA/CMVSS
- 1B1 CODES/STANDARDS USA

1B1 265

- 3 NOT USED WITH 42J
- 2 SENSOR SUPPLIED WITH SATELLITE ASSEMBLY.

NOTES:  
1. SEE ROOF ASM FOR ADDITIONAL INFORMATION.

FIRST USED		06 327L	
DO NOT SCALE DRAWING			
TITLE: WIRING INSTL.-BODY,12V			
SHEET 5	PART NO	154884	REV



- NOTES:
- 5 NOT USED WITH 1JB.
  - 4 ADD RUBBER BUMPERS TO ROOF UNDER EACH END OF ANTENNA IN DOWN POSITION.
  - 3 LOCATE CLIP TO RETAIN CABLE BUT NOT TO RESTRICT ANTENNA.
  - 2 SEE DRAWING 76319-01-000 FOR INSTALLATION OF TV ANTENNA.
  - 1 WRAP BRACKET LEGS AROUND ANTENNA BASE.

- 480 SATELLITE DISH & ELEV.SENSOR
- 1JB TV ANTENNA-OMNIDIRECTIONAL
- 1D5 ENTERTAINMENT CENTR/EXT W/CD
- 265 CODES/STANDARDS-CSA/CMVSS
- 1B1 CODES/STANDARDS USA

FIRST USED		06 327L	
DO NOT SCALE DRAWING			
TITLE: WIRING INSTL.-BODY, 12V			
SHEET 6	PART NO	154884	REV