

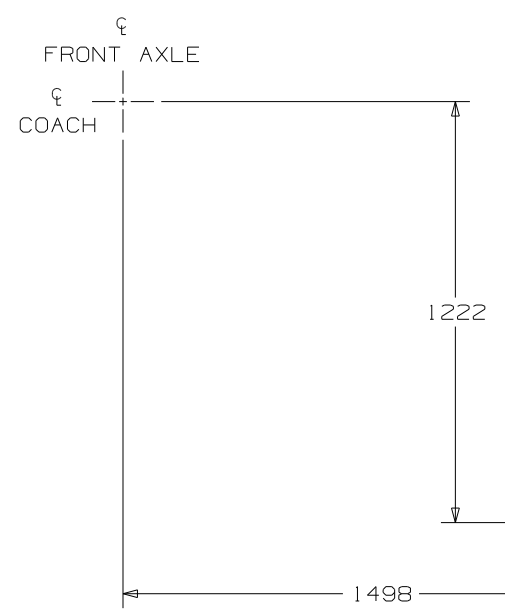
- 9 SEE WIRING INSTL-BODY, 12V FOR ELECTRICAL CONNECTION.
- 8 SECURE PIPES TO CABINET USING WIRE TIE 108046-02-000 AND SCREW G67-10-12B.
- 7 SECURE VENT TO FLOOR WITH BRACKET 136878-01-CHT CLAMP 62401-02-000, SCREW G67-10-12B.
- 6 VENT PIPE MUST PROJECT 51 MIN AND 64 MAX ABOVE ROOF FOR PROPER FIT AND FUNCTION.
- 5. SEAL AROUND SHOWER WITH SILICONE.
- 4. ALL EXTERIOR OPENINGS AROUND PIPE TO BE SEALED WITH 131264-03-000.
- 3. ALL PIPE AND FITTINGS TO BE ASSEMBLED WITH SOLVENT 4020-01-000.
- 2. SLOPE OF TRAP ARM MUST BE 6 PER 305 mm.
- 1. SLOPE OF HORIZONTAL PIPING TO BE MIN 3 PER 305 mm.

NOTES:

(23T) DRAINAGE SYSTEM-HEATED

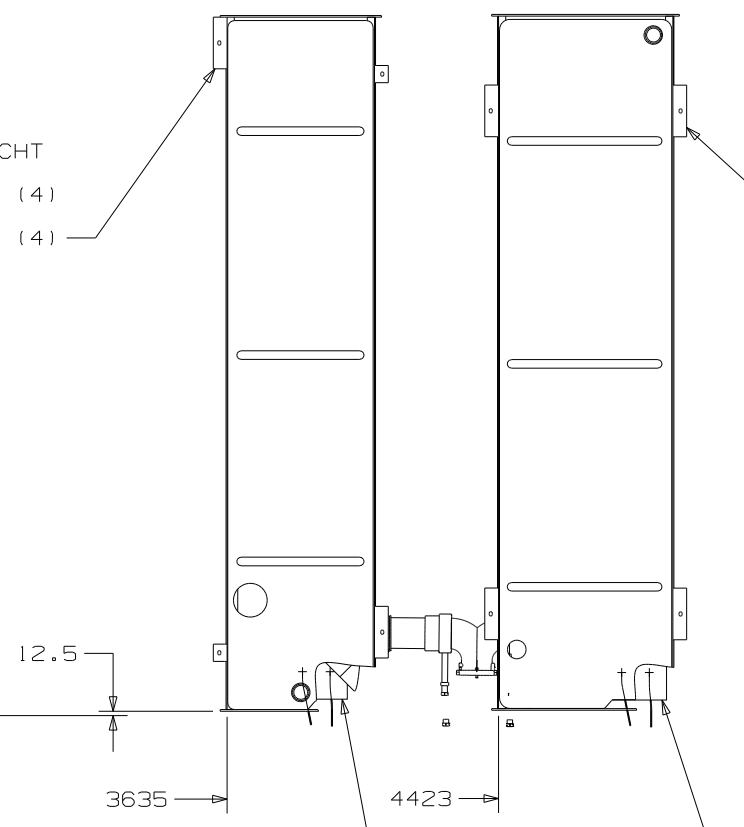
| | | |
|------------------------------|--------------------------------------|---|
| | | COPYRIGHT 2006 WINNEBAGO INDUSTRIES, INC. |
| DFTR | ORIG. DATE | |
| CHKR | ALL DIMENSIONS ARE IN MILLIMETERS | |
| P.E. | FIRST USED | |
| M.E. | 06 327L | |
| DSNR | | |
| UNSPECIFIED TOLERANCES ARE: | MATERIAL: | |
| HOLE DIM (X) | : | 3 |
| ONE-PLACE (X.X) | : | |
| TWO-PLACE (X.XX) | : | |
| ANGLE | : | |
| THIRD ANGLE PROJECTION | | |
| DO NOT SCALE DRAWING | | |
| TITLE: DRAINAGE SYSTEM INSTL | | |
| SHEET 1 OF 3 | PART NO | REV |
| | 154863 | |
| REF: | 1 6/13/2006 | |

FOR
DRAINAGE
CALLOUTS
SEE DWG NO
116229-01-000

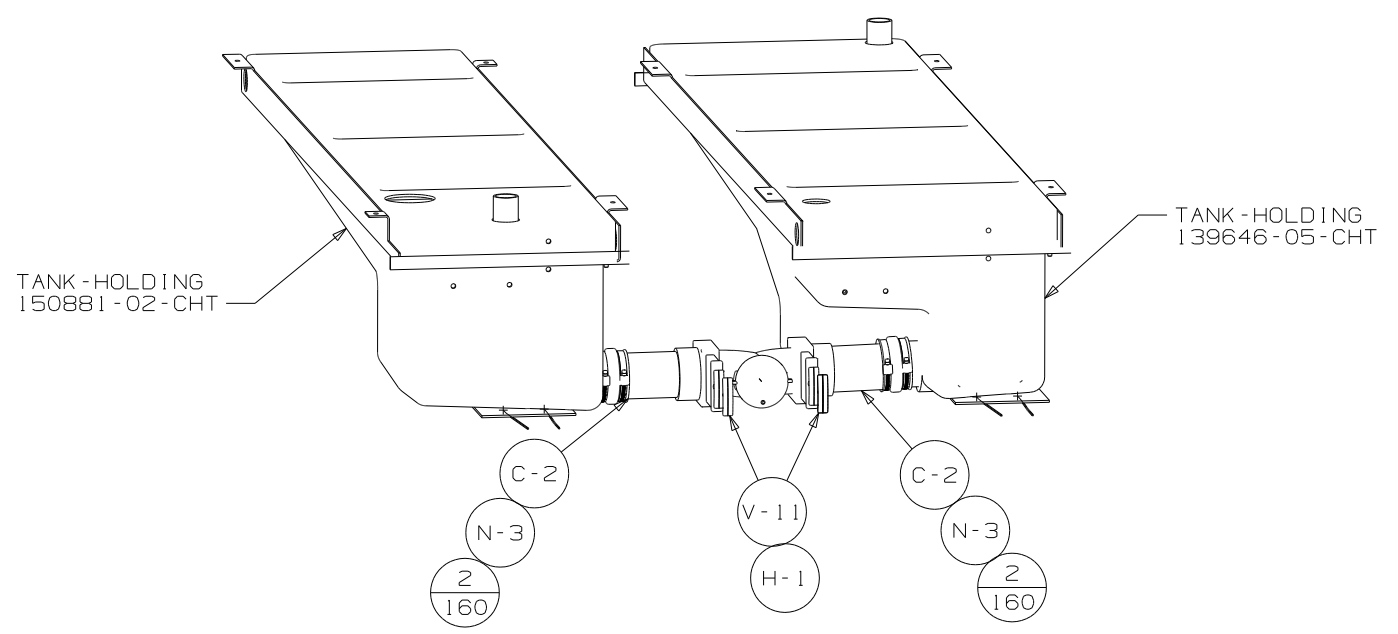


CRADLE ASM
139596-02-CHT
BOLT
C18-05-40A (4)
NUT
D13-05-00B (4)

CRADLE ASM
139597-01-CHT
BOLT
C18-05-40A (4)
NUT
D13-05-00B (4)

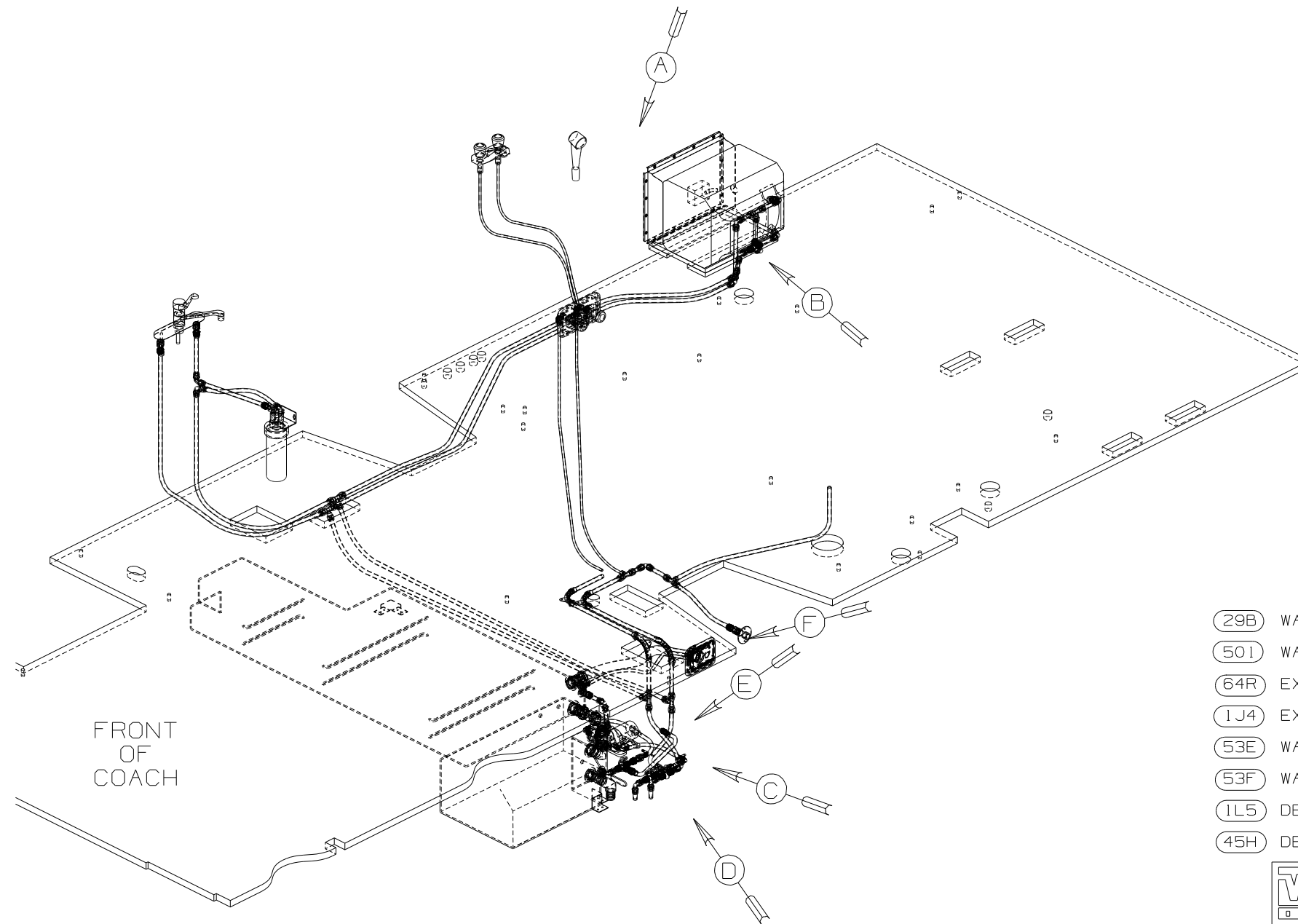


VIEW D



VIEW C

| | | |
|------------|-----------------------|--------|
| FIRST USED | 06 327L | |
| TITLE | DO NOT SCALE DRAWING | |
| | DRAINAGE SYSTEM INSTL | |
| SHEET 3 | PART NO | 154863 |
| | REV | |



- 10 LABEL THE HOT AND COLD SUPPLY TUBES.
- 9 TAPE FITTING TO TUBE BEFORE CABINET SET TO PREVENT FITTING FROM MOVING.
- 8 ATTACH WASHER-PLASTIC 87080-13-CHT WITH TAPE-DOUBLE 123816-03-000 ON BOTTOM SIDE OF LOWER FLOOR.
- 7 ATTACH WASHER-PLASTIC 87080-11-CHT WITH TAPE-DOUBLE 123816-03-000 ON BOTTOM SIDE OF COMPARTMENT.
- 6 ADD TEFLON TAPE 10405-01-000 TO FITTING.
- 5 ADD TEFLON TAPE 10405-03-000 TO FITTING.
- 4 ADD TEFLON TAPE 10405-02-000 TO FITTING.

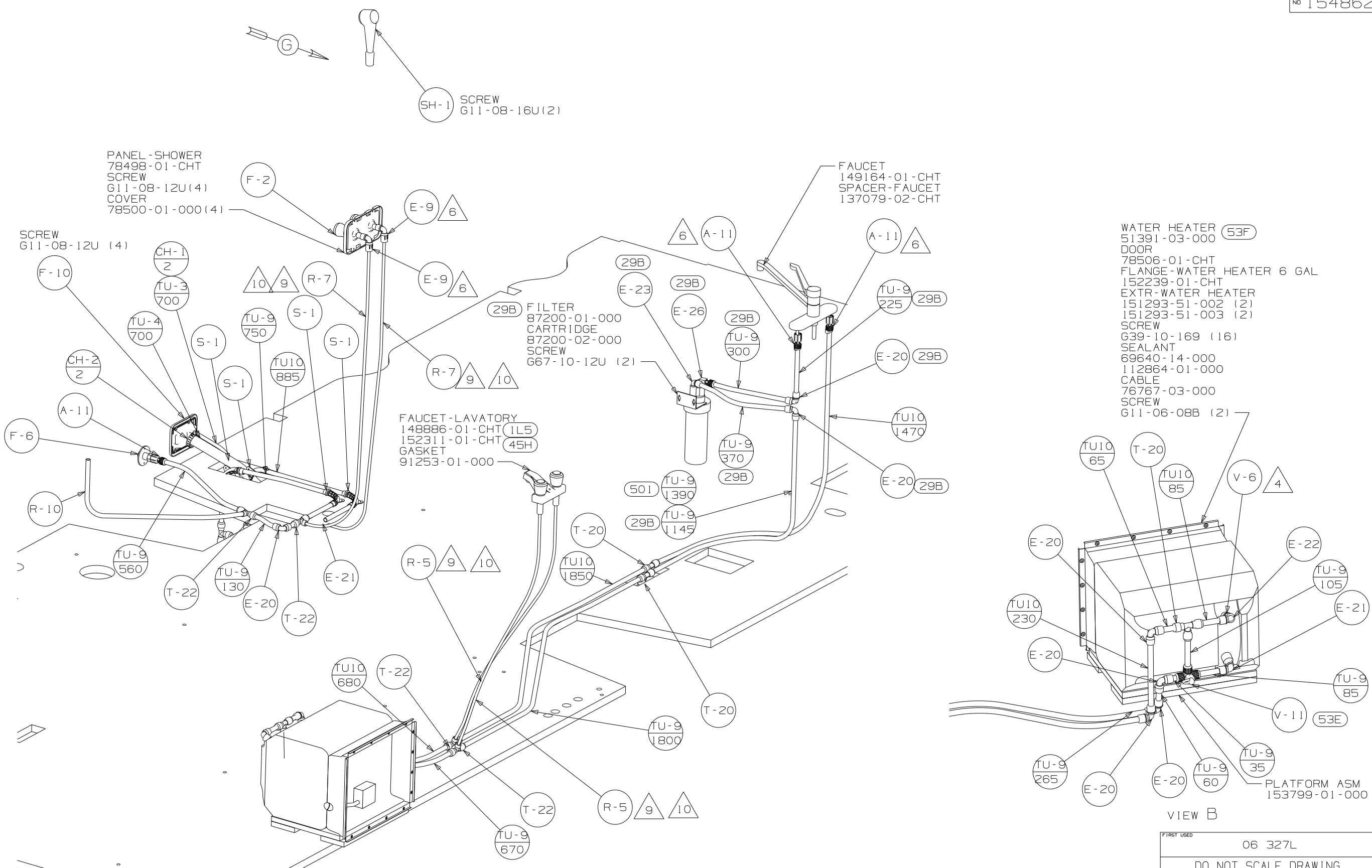
- 3. ALL TUBING TO BE SECURED AT 1200 INTERVALS MAXIMUM WITH CLAMP 10495-01-000 OR CLIP 9151-01-000 AND SCREW G67-10-12B.
- 2. TUBING TO BE INSTALLED WITH SUFFICIENT SLOPE TO PROVIDE DRAINAGE TO NEAREST VALVE.
- 1. PLASTIC FITTINGS TO BE SEALED WITH SEALANT 84456-01-000.

NOTES:

- (29B) WATER PURIFIER
- (501) WATER PURIFIER WITHOUT
- (64R) EXTERIOR WASH STATION
- (1J4) EXT WASH STATION-WITHOUT
- (53E) WATER SYS WINTERIZATION PKG
- (53F) WATER HEATER-ELEC IGNITION
- (1L5) DELUXE FEATURE PKG-WITHOUT
- (45H) DELUXE FEATURE PKG

| | | | |
|---------------------------|-------------|---|-----|
| WINNEBAGO | | COPYRIGHT 2006 WINNEBAGO INDUSTRIES, INC. | |
| DFTR | ORIG. DATE | ALL DIMENSIONS ARE IN MILLIMETERS | |
| CHKR | | FIRST USED | |
| P.E. | | 06 327L | |
| M.E. | | UNSPECIFIED TOLERANCES ARE: | |
| DSNR | | MATERIAL: | |
| | | WHOLE DIM (X) | : 7 |
| | | ONE-PLACE (X.X) | : |
| | | TWO-PLACE (X.XX) | : |
| | | ANGLE | : |
| THIRD ANGLE PROJECTION | | DO NOT SCALE DRAWING | |
| TITLE: WATER SYSTEM INSTL | | | |
| SHEET 1 OF 4 | PART NO | 154862 | REV |
| REF: | 1 6/13/2006 | | |

(X-X)
FOR WATER CALLOUTS SEE DWG NO 116230-01-000



PANEL - SHOWER
78498-01-CHT
SCREW
611-08-12U(4)
COVER
78500-01-000(4)

FAUCET
149164-01-CHT
SPACER-FAUCET
137079-02-CHT

WATER HEATER (53F)
51391-03-000
DOOR
78506-01-CHT
FLANGE-WATER HEATER 6 GAL
152239-01-CHT
EXTR-WATER HEATER
151293-51-002 (2)
151293-51-003 (2)
SCREW
639-10-169 (16)
SEALANT
69640-14-000
112864-01-000
CABLE
76767-03-000
SCREW
611-06-08B (2)

FAUCET-LAVATORY
148886-01-CHT
152311-01-CHT
GASKET
91253-01-000

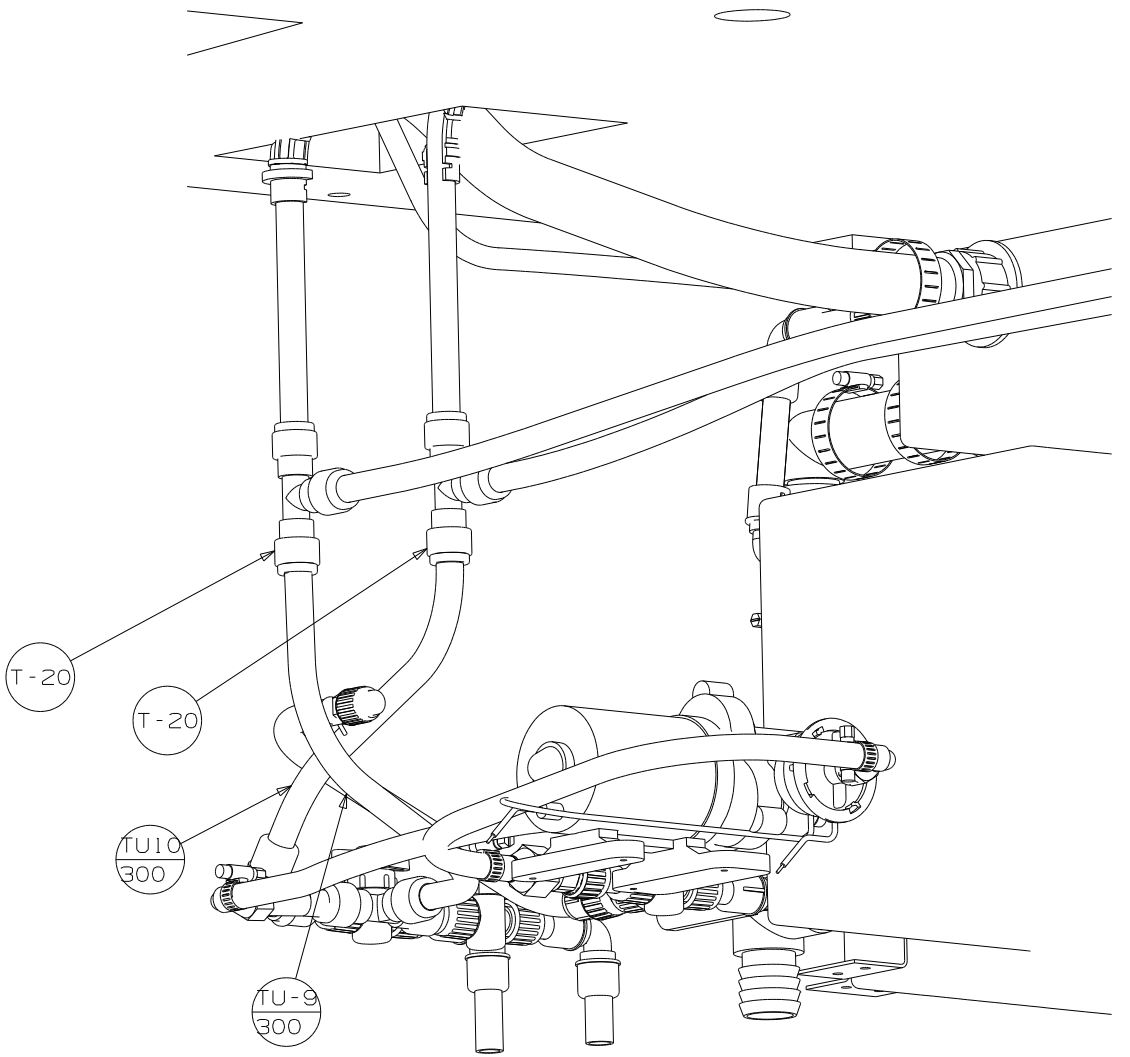
FILTER
87200-01-000
CARTRIDGE
87200-02-000
SCREW
667-10-12U (2)

PLATFORM ASM
153799-01-000

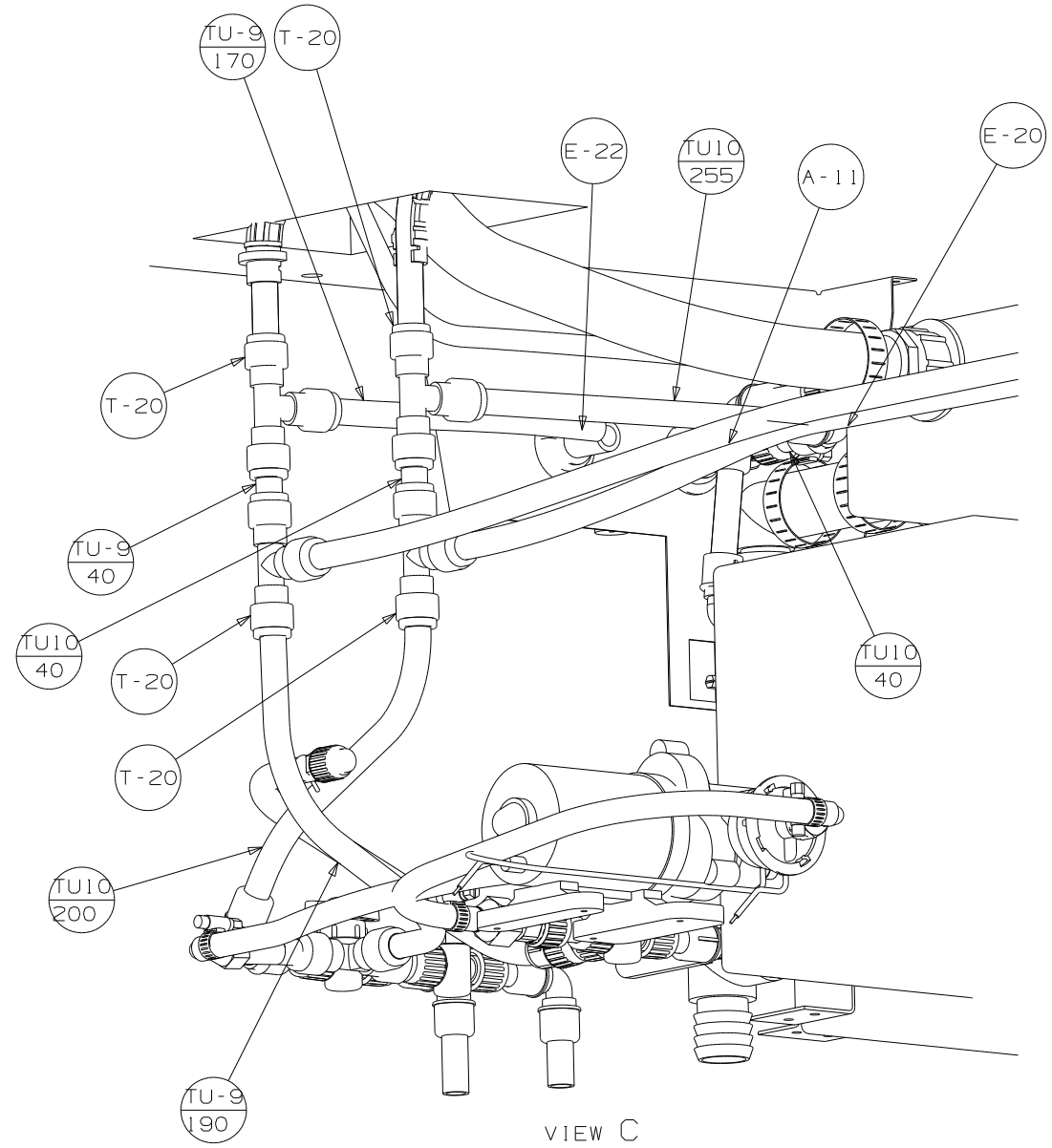
VIEW A

VIEW B

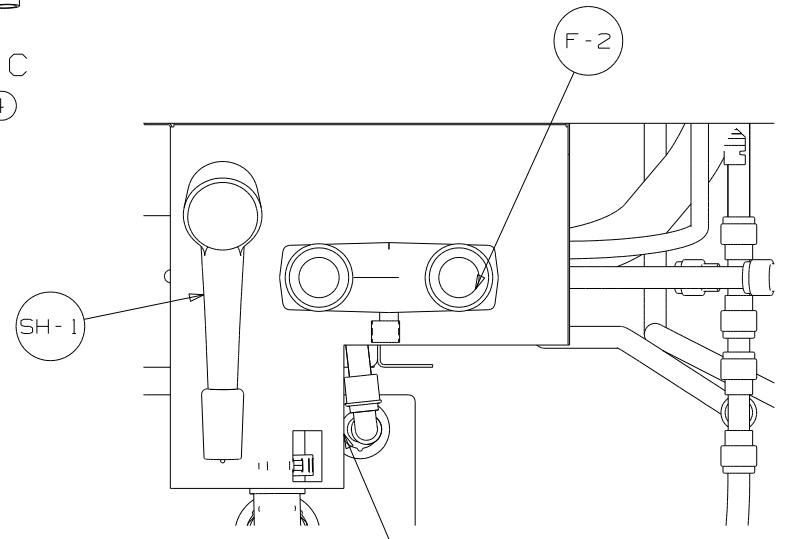
| | |
|------------|----------------------|
| FIRST USED | 06 327L |
| TITLE | DO NOT SCALE DRAWING |
| TITLE | WATER SYSTEM INSTL |
| SHEET 2 | PART NO 154862 REV |



VIEW C
(TJ4)



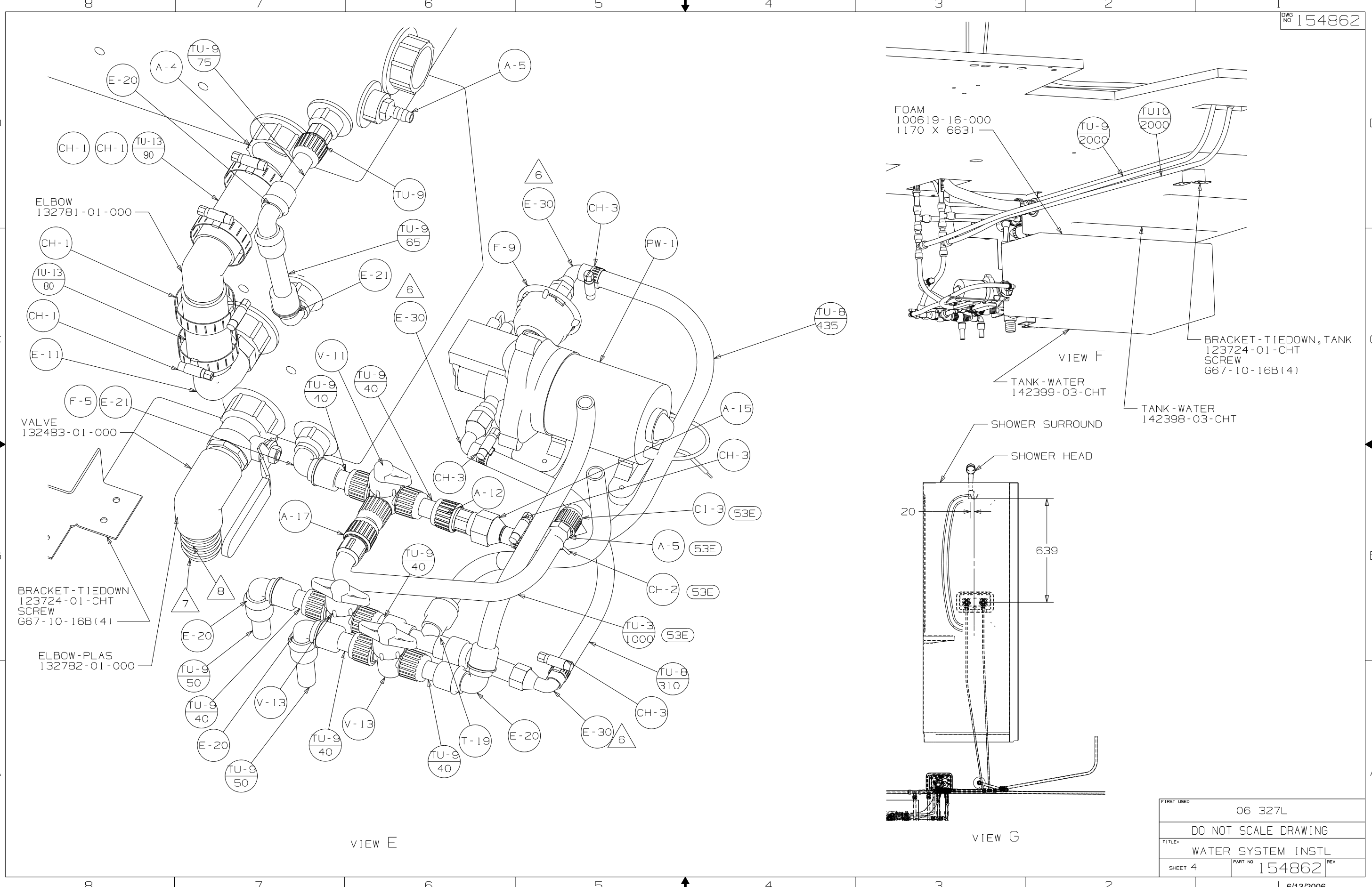
VIEW C
(64R)



BRACKET-SUPPORT, FAUCET
114416-03-CHT

VIEW D

| | |
|----------------------|--------------------|
| FIRST USED | 06 327L |
| DO NOT SCALE DRAWING | |
| TITLE: | WATER SYSTEM INSTL |
| SHEET 3 | PART NO 154862 REV |



ELBOW
132781-01-000

VALVE
132483-01-000

BRACKET-TIEDOWN
123724-01-CHT
SCREW
G67-10-16B(4)

ELBOW-PLAS
132782-01-000

FOAM
100619-16-000
(170 X 663)

BRACKET-TIEDOWN, TANK
123724-01-CHT
SCREW
G67-10-16B(4)

TANK-WATER
142399-03-CHT

TANK-WATER
142398-03-CHT

SHOWER SURROUND

SHOWER HEAD

VIEW E

VIEW G

| | |
|------------|----------------------|
| FIRST USED | 06 327L |
| TITLE | DO NOT SCALE DRAWING |
| SHEET 4 | WATER SYSTEM INSTL |
| PART NO | 154862 |
| REV | |