



DANGER

Danger of electrical shock, burns or death. Always remove all power sources before attempting any repair, service or diagnostic work. Power can be present from shore power, generator, inverter or battery. All power sources must be disabled and secured before performing any service.

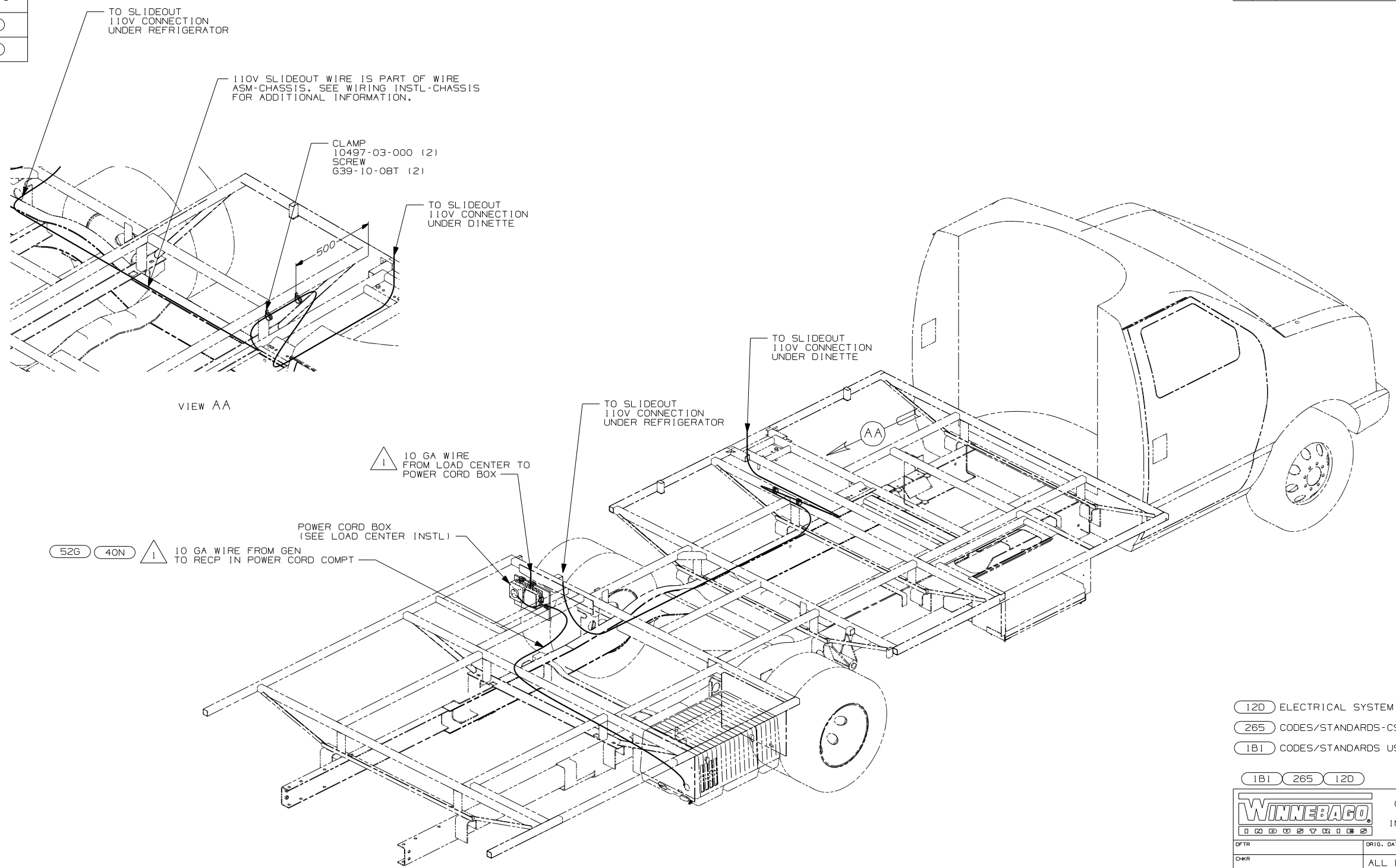


CAUTION

If you lack the skills, tools or equipment to perform diagnostic or repair work leave such work to an authorized Winnebago Industries dealer or other qualified shop.

DRAWING NO.	FEATURE
155284-01	-----
155284-11	(1B1) (12D)
155284-15	(265) (12D)

RELEASE	REV/DATE A	DWG NO 155284
REV ZONE	REVISION RECORD	DATE DFR-0R16



- (12D) ELECTRICAL SYSTEM 30 AMP
- (265) CODES/STANDARDS-CSA/CMVSS
- (1B1) CODES/STANDARDS USA
- (1B1) (265) (12D)

WINNEBAGO COPYRIGHT 2004
WINNEBAGO
INDUSTRIES, INC.

DFTR	ORIG. DATE
CHKR	ALL DIMENSIONS ARE IN MILLIMETERS
P.E.	
M.E.	FIRST USED
DSNR	06 326A

UNSPECIFIED TOLERANCES ARE:	MATERIAL:
WHOLE DIM (X) :	.
ONE-PLACE (X.X) :	.
TWO-PLACE (X.XX) :	.
ANGLE :	.
THIRD ANGLE PROJECTION	⊕

DO NOT SCALE DRAWING

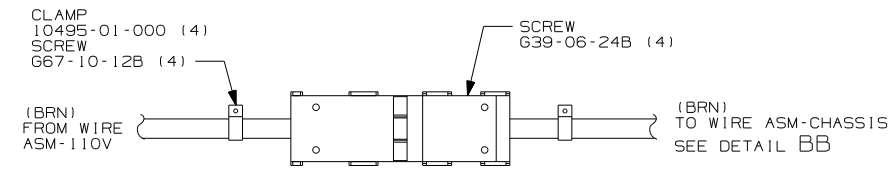
TITLE:
WIRING INSTL-BODY, 110V

SHEET 1 OF 3 PART NO
155284

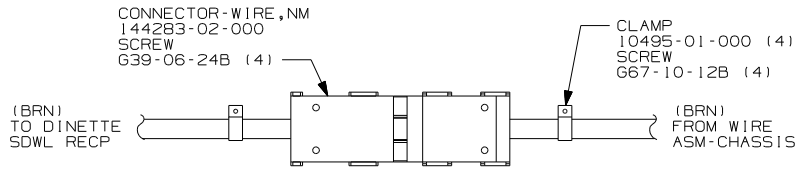
REF: 1 5/9/2005

NOTES:
1 SEE GENERATOR INSTALLATION FOR ADDITIONAL INFORMATION.

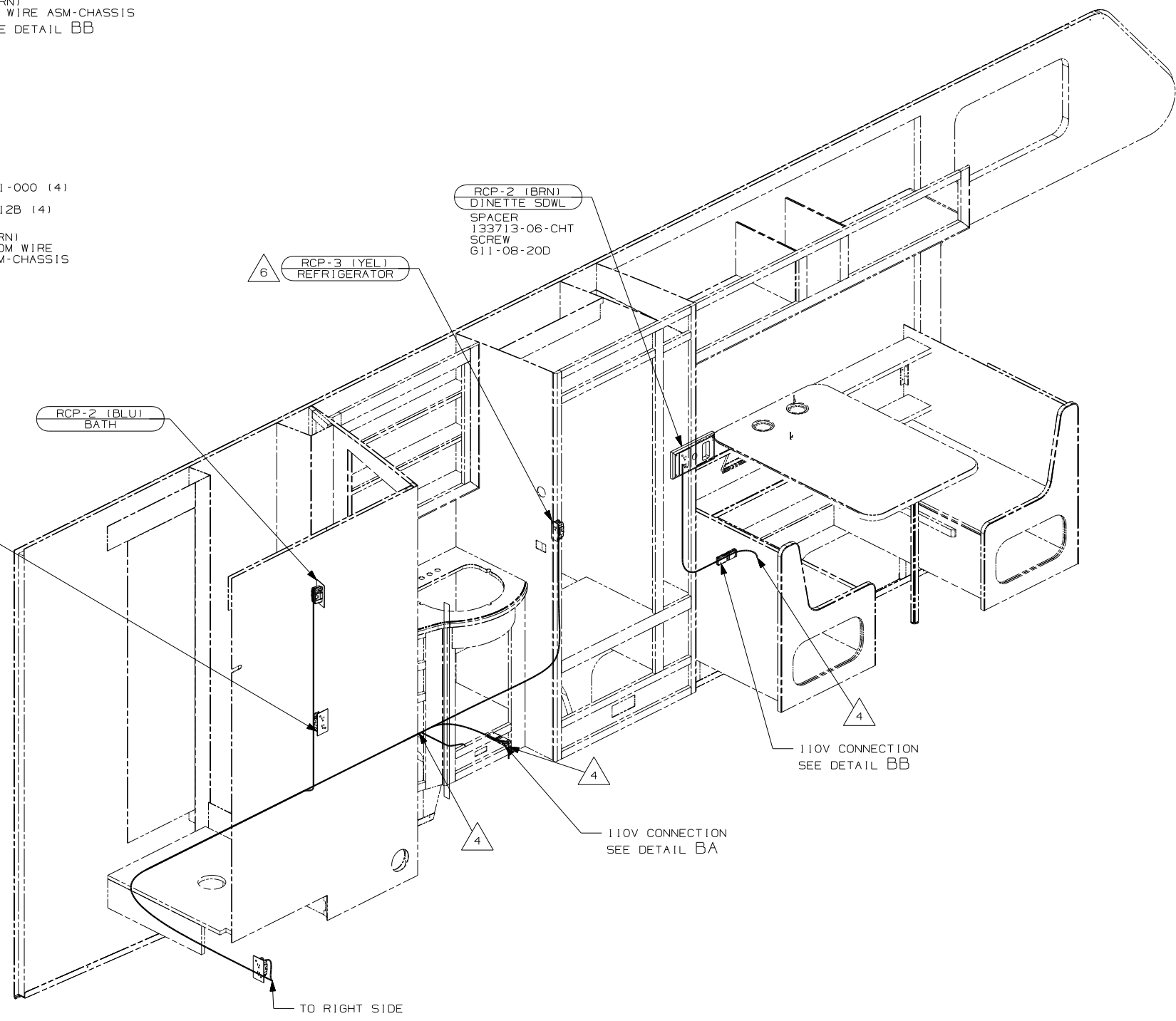
FOR
ELECTRICAL
CALLOUTS
SEE DWG NO.
121339-01-000



DETAIL BA 7



DETAIL BB



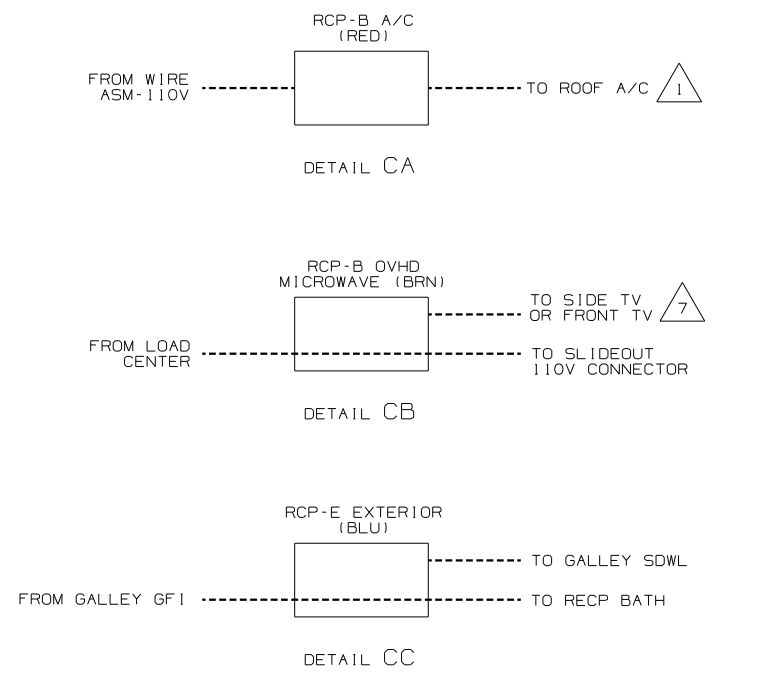
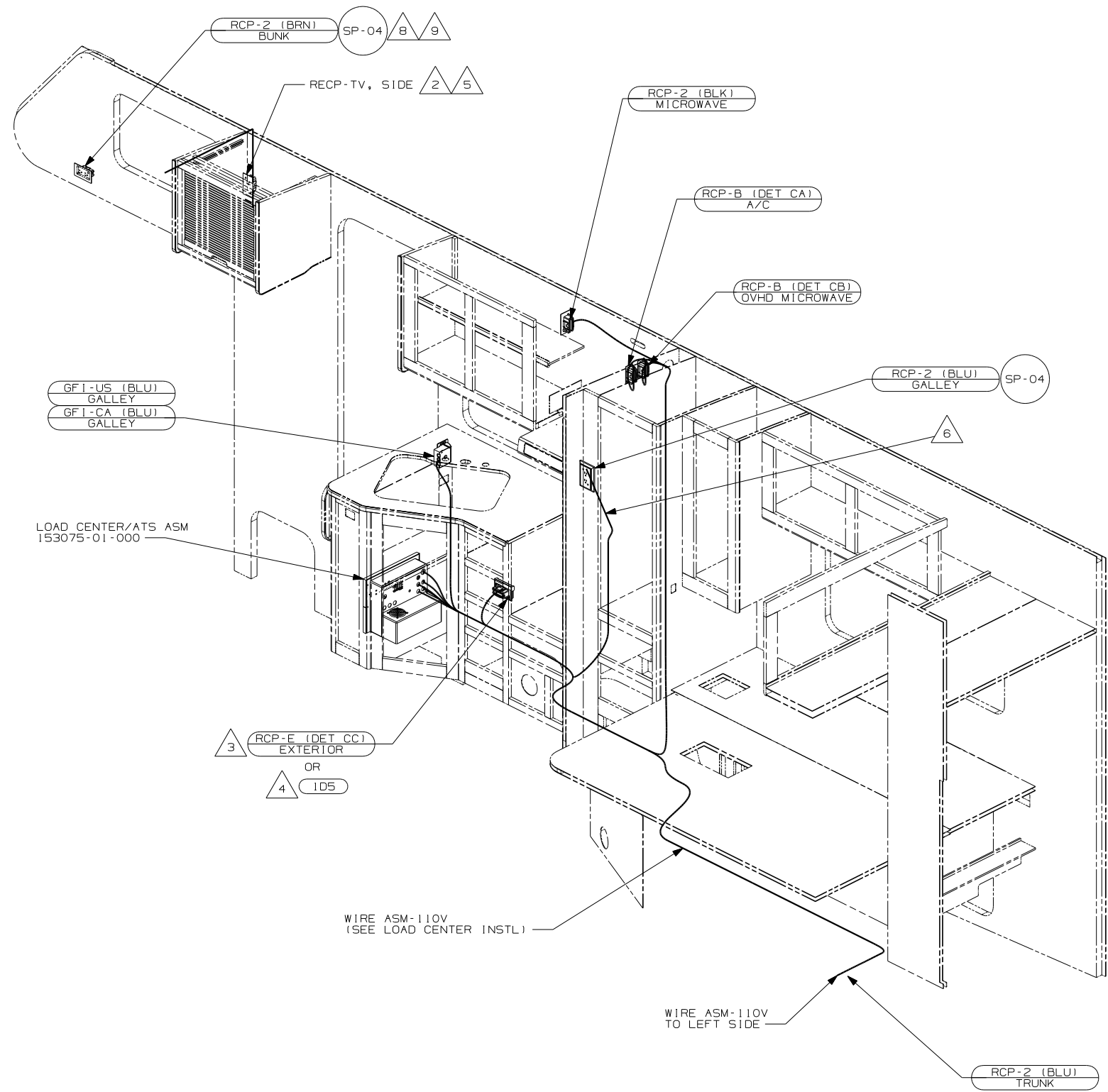
- 7 SEE LOAD CENTER/ATS ASM FOR ADDITIONAL INFORMATION.
 - 6 LOCATE REFRIGERATOR RECP ON TIEDOWN BRACKET.
 - 5 SEE GENERATOR INSTLALLATION FOR ADDITIONAL INFORMATION.
 - 4 WIRE ROUTED THRU FLOOR AT THIS POINT
3. ALL GROUND WIRE TO BE COVERED WITH TUBING 8041-02-000.
2. ALL 110V WIRE TO BE CLAMPED WITH CLAMP 10497-05-000 WITHIN 200 OF OUTLET BOXES, USE SCREW 667-10-12B.
1. ALL WIRES TO BE SECURED WITH CLAMP 10495-01-000 OR CLIP 80734-01-000 EVERY 600MM. USE SCREW 667-10-12B UNLESS OTHERWISE SPECIFIED.

NOTES:

- 526 GEN-3.6KW ONAN LP MICROQUIET
- 40N GEN-4.0KW-ONAN-GAS-MICROLITE
- 12D ELECTRICAL SYSTEM 30 AMP
- 265 CODES/STANDARDS-CSA/CMVSS
- 1B1 CODES/STANDARDS USA

FIRST USED	
06 326A	
DO NOT SCALE DRAWING	
TITLE:	
WIRING INSTL-BODY, 110V	
SHEET 2	PART NO
	155284

FOR ELECTRICAL CALLOUTS SEE DWG NO. 121339-01-000



- NOTES:
- 9 SEE WIRING INSTL-TV/VCR FRONT FOR ADDITIONAL INFORMATION.
 - 8 NOT USED WITH (42J).
 - 7 WIRE IN SIDEWALL
 - 6 ROUTE WIRE THRU SIDEWALL
 - 5 NOT USED WITH (42J) OR (1JR).
 - 4 SEE ENTERTAINMENT CENTER COMPL FOR ADDITIONAL INFORMATION.
 - 3 NOT USED WITH (1D5).
 - 2 SEE WIRING INSTL-SIDE TV FOR ADDITIONAL INFORMATION.
 - 1 WIRE ROUTED IN ROOF.

- (1JR) TV-13" W/DVD-12V
- (42J) TV-24" COLOR, STEREO W/REMOTE
- (1D5) ENTERTAINMENT CENTR/EXT W/CD
- (265) CODES/STANDARDS-CSA/CMVSS
- (1B1) CODES/STANDARDS USA

(X-X) FOR ELECTRICAL CALLOUTS SEE DWG NO. 121339-01-000

FIRST USED	06 326A
DO NOT SCALE DRAWING	
TITLE	WIRING INSTL-BODY, 110V
SHEET 3	PART NO 155284