



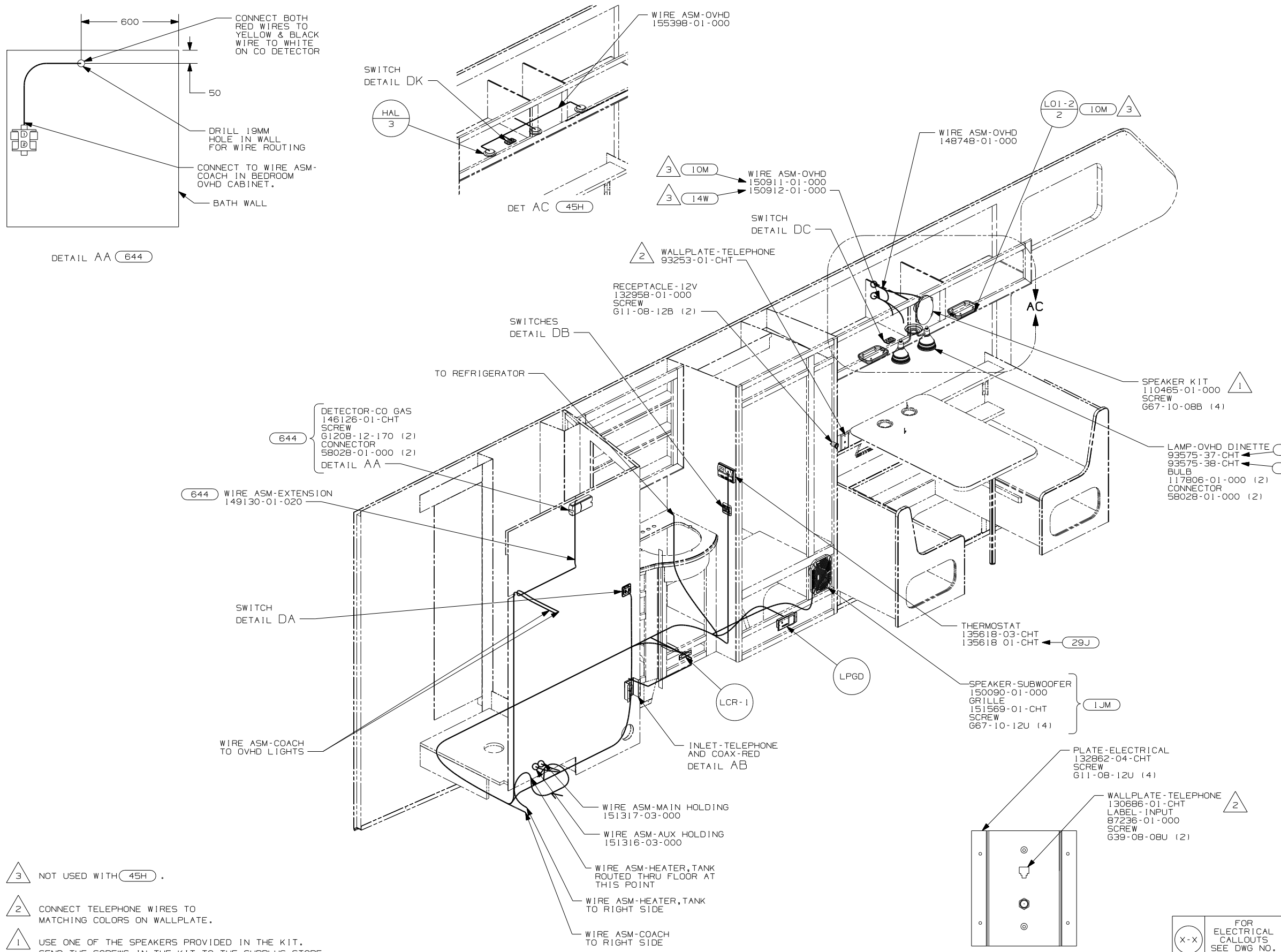
DANGER

Danger of electrical shock, burns or death. Always remove all power sources before attempting any repair, service or diagnostic work. Power can be present from shore power, generator, inverter or battery. All power sources must be disabled and secured before performing any service.



CAUTION

If you lack the skills, tools or equipment to perform diagnostic or repair work leave such work to an authorized Winnebago Industries dealer or other qualified shop.



DETAIL AA 644

644
 DETECTOR-CO GAS
 146126-01-CHT
 SCREW
 G1208-12-170 (2)
 CONNECTOR
 58028-01-000 (2)
 DETAIL AA

644 WIRE ASM-EXTENSION
 149130-01-020

SWITCH
 DETAIL DA

WIRE ASM-COACH
 TO OVHD LIGHTS

SWITCHES
 DETAIL DB

TO REFRIGERATOR

RECEPTACLE-12V
 132958-01-000
 SCREW
 G11-08-12B (2)

2 WALLPLATE-TELEPHONE
 93253-01-CHT

SWITCH
 DETAIL DC

3 10M
 3 14W
 WIRE ASM-OVHD
 150911-01-000
 150912-01-000

WIRE ASM-OVHD
 148748-01-000

SPEAKER KIT
 110465-01-000
 SCREW
 G67-10-08B (4)

LAMP-OVHD DINETTE
 93575-37-CHT
 93575-38-CHT
 BULB
 117806-01-000 (2)
 CONNECTOR
 58028-01-000 (2)

THERMOSTAT
 135618-03-CHT
 135618 01-CHT

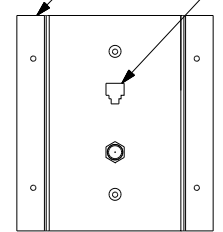
SPEAKER-SUBWOOFER
 150090-01-000
 GRILLE
 151569-01-CHT
 SCREW
 G67-10-12U (4)

PLATE-ELECTRICAL
 132862-04-CHT
 SCREW
 G11-08-12U (4)

2 WALLPLATE-TELEPHONE
 130686-01-CHT
 LABEL-INPUT
 87236-01-000
 SCREW
 G39-08-08U (2)

WIRE ASM-MAIN HOLDING
 151317-03-000
 WIRE ASM-AUX HOLDING
 151316-03-000

WIRE ASM-HEATER, TANK
 ROUTED THRU FLOOR AT
 THIS POINT
 WIRE ASM-HEATER, TANK
 TO RIGHT SIDE
 WIRE ASM-COACH
 TO RIGHT SIDE



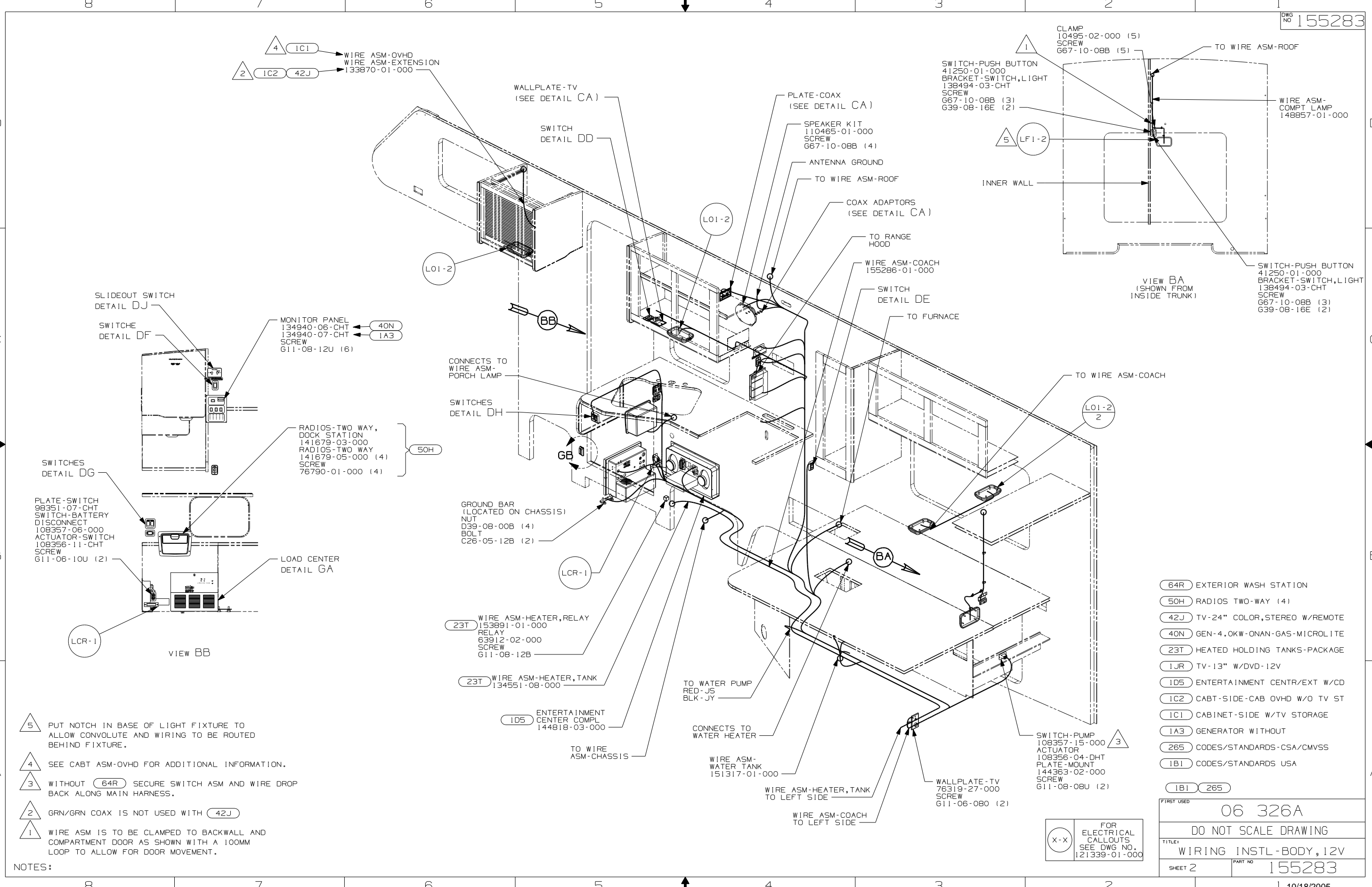
DETAIL AB

X-X FOR ELECTRICAL CALLOUTS SEE DWG NO. 121339-01-000

- 1TA ITASCA ONLY
- WIN WINNEBAGO ONLY
- 644 GREAT ALASKAN RENTAL PACKAGE
- 45H DELUXE FEATURE PACKAGE
- 29J HEAT PUMP-ROOF AIR
- 23T DRAINAGE SYSTEM-HEATED
- 14W DINETTE
- 10M COUCH RH
- 1JM HOME THEATER SOUND SYSTEM
- 265 CODES/STANDARDS-CSA/CMVSS
- 1B1 CODES/STANDARDS USA

WINNEBAGO		COPYRIGHT 2004 WINNEBAGO INDUSTRIES, INC.	
DFTR	ORIG. DATE	ALL DIMENSIONS ARE IN MILLIMETERS	
CHKR		FIRST USED 06 326A	
P.E.		UNSPECIFIED TOLERANCES ARE:	
M.E.		WHOLE DIM (X)	:
DSNR		ONE-PLACE (X.X)	:
		TWO-PLACE (X.XX)	:
		ANGLE	:
		THIRD ANGLE PROJECTION	⊕
DO NOT SCALE DRAWING			
TITLE: WIRING INSTL-BODY, 12V			
SHEET 1 OF 7	PART NO	155283	
REF:	1 10/18/2005		

- NOTES:
- 3 NOT USED WITH 45H.
 - 2 CONNECT TELEPHONE WIRES TO MATCHING COLORS ON WALLPLATE.
 - 1 USE ONE OF THE SPEAKERS PROVIDED IN THE KIT. SEND THE SCREWS IN THE KIT TO THE SURPLUS STORE.



8
7
6
5
4
3
2
1

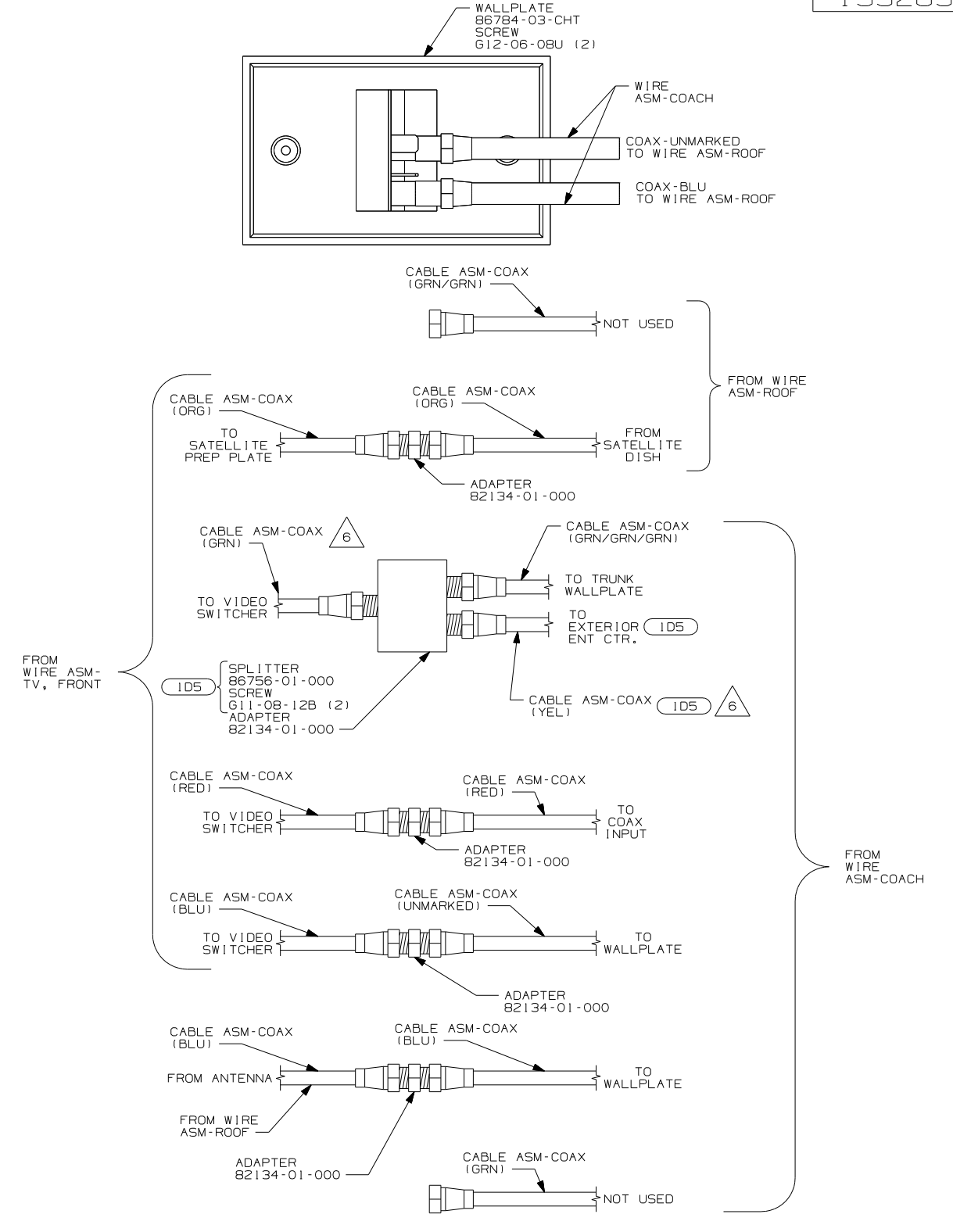
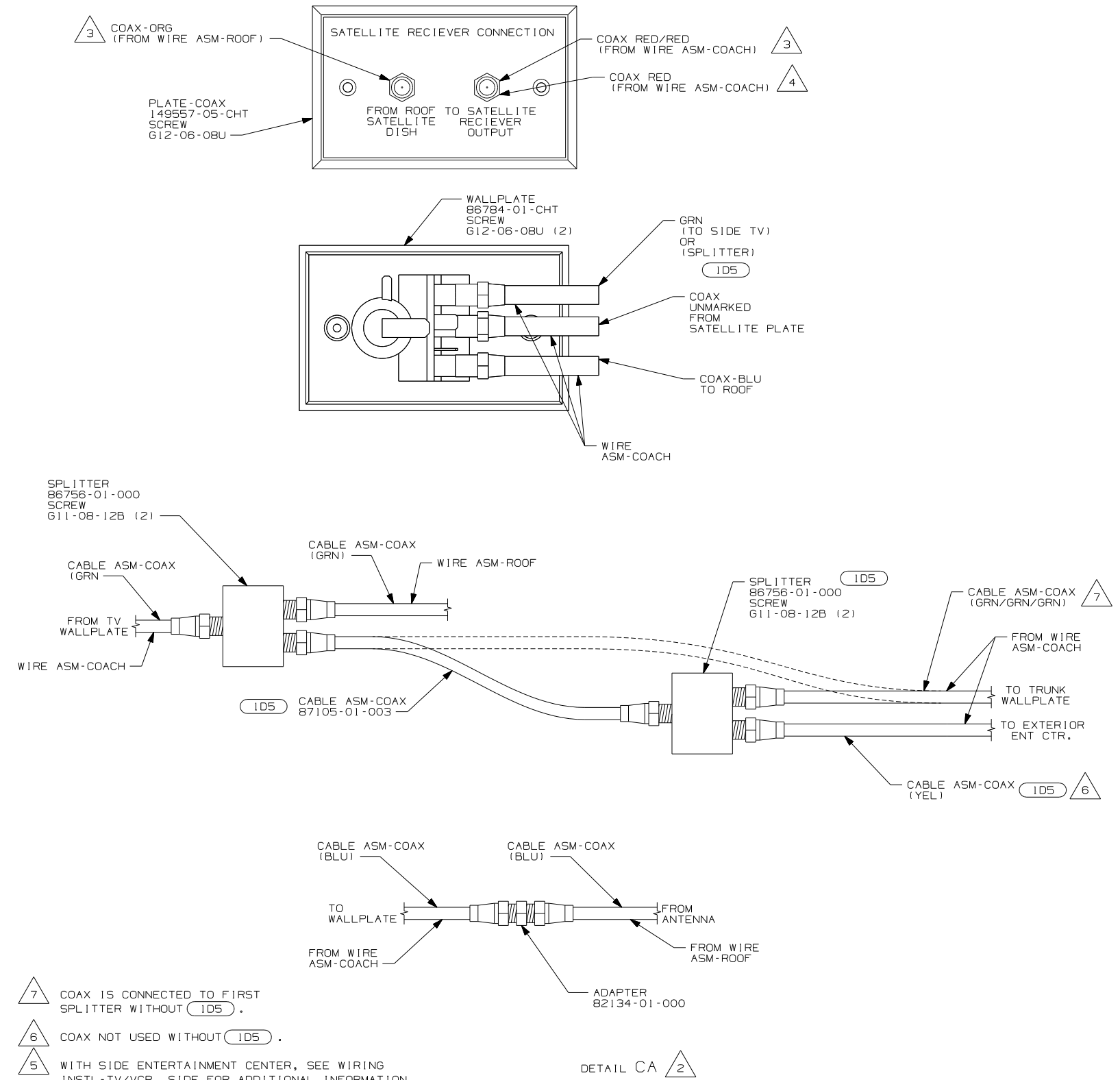
D
C
B
A

- NOTES:
- 5 PUT NOTCH IN BASE OF LIGHT FIXTURE TO ALLOW CONVOLUTE AND WIRING TO BE ROUTED BEHIND FIXTURE.
 - 4 SEE CABT ASM-OVHD FOR ADDITIONAL INFORMATION.
 - 3 WITHOUT (64R) SECURE SWITCH ASM AND WIRE DROP BACK ALONG MAIN HARNESS.
 - 2 GRN/GRN COAX IS NOT USED WITH (42J)
 - 1 WIRE ASM IS TO BE CLAMPED TO BACKWALL AND COMPARTMENT DOOR AS SHOWN WITH A 100MM LOOP TO ALLOW FOR DOOR MOVEMENT.

- (64R) EXTERIOR WASH STATION
- (50H) RADIOS TWO-WAY (4)
- (42J) TV-24" COLOR, STEREO W/REMOTE
- (40N) GEN-4.0KW-ONAN-GAS-MICROLITE
- (23T) HEATED HOLDING TANKS-PACKAGE
- (1JR) TV-13" W/DVD-12V
- (ID5) ENTERTAINMENT CENTR/EXT W/CD
- (IC2) CABT-SIDE-CAB OVHD W/O TV ST
- (IC1) CABINET-SIDE W/TV STORAGE
- (IA3) GENERATOR WITHOUT
- (265) CODES/STANDARDS-CSA/CMVSS
- (IB1) CODES/STANDARDS USA

FIRST USED	06 326A
TITLE	DO NOT SCALE DRAWING
TITLE	WIRING INSTL-BODY, 12V
SHEET 2	PART NO 155283

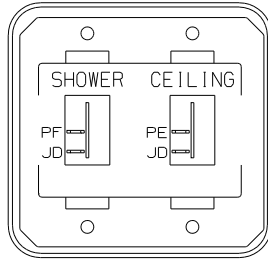
(X-X) FOR ELECTRICAL CALLOUTS SEE DWG NO. 121339-01-000



- NOTES:**
- 7 COAX IS CONNECTED TO FIRST SPLITTER WITHOUT ID5.
 - 6 COAX NOT USED WITHOUT ID5.
 - 5 WITH SIDE ENTERTAINMENT CENTER, SEE WIRING INSTL-TV/VCR, SIDE FOR ADDITIONAL INFORMATION.
 - 4 CONNECT COAX TO FRONT SIDE OF WALLPLATE.
 - 3 CONNECT COAX TO BACKSIDE OF WALLPLATE.
 - 2 WITHOUT 42J.
 - 1 WITH FRONT ENTERTAINMENT CENTER, SEE WIRING INSTL-TV/VCR, FRONT FOR ADDITIONAL INFORMATION.

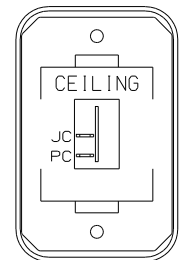
- 42J TV-24" COLOR, STEREO W/REMOTE
- ID5 ENTERTAINMENT CENTER/EXT W/CD
- 265 CODES/STANDARDS-CSA/CMVSS
- 1B1 CODES/STANDARDS USA

FIRST USED	06 326A
DO NOT SCALE DRAWING	
TITLE: WIRING INSTL-BODY, 12V	
SHEET 3	PART NO 155283



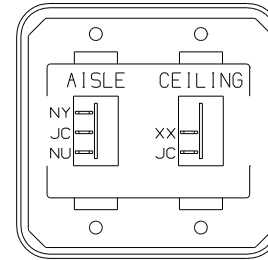
SWITCH-ROCKER
135740-01-CHT (2)
SWITCH-BASE
135741-02-CHT
SWITCH-BEZEL
135742-15-CHT
SCREW
G11-08-08U (4)

DETAIL DA



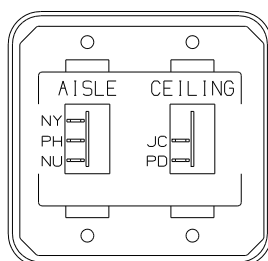
SWITCH-ROCKER
135740-01-CHT
SWITCH-BASE
135741-01-CHT
SWITCH-BEZEL
135742-07-CHT
SCREW
G11-08-08U (2)

DETAIL DE



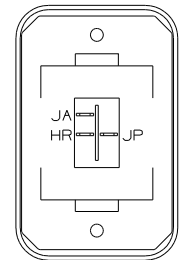
SWITCH-ROCKER
135740-01-CHT
135740-02-CHT
SWITCH-BASE
135741-02-CHT
SWITCH-BEZEL
135742-13-CHT
SCREW
G11-08-08U (4)

DETAIL DH



SWITCH-ROCKER
135740-01-CHT
135740-02-CHT
SWITCH-BASE
135741-02-CHT
SWITCH-BEZEL
135742-13-CHT
SCREW
G11-08-08U (4)

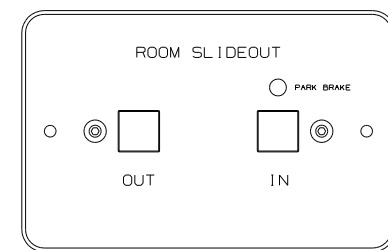
DETAIL DB



SWITCH-ROCKER
135740-06-CHT
SWITCH-BASE
135741-01-CHT
SWITCH-BEZEL
135742-01-CHT
SCREW
G11-06-16J (2)
LABEL-SWITCH
134563-01-CHT

HOLDING TANK HEATER
TURN OFF When Not In Use
SEE OPERATORS MANUAL

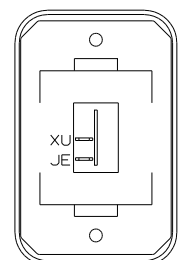
DETAIL DF (23T)



SWITCH ASM-SLIDEOUT
140464-02-000
LABEL-WARNING
116549-01-000

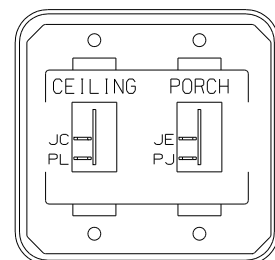
WARNING UNDERSTAND OPERATOR'S MANUAL BEFORE USING
KEEP PEOPLE AND OBSTRUCTIONS CLEAR OF
SLIDEOUT ROOM WHEN OPERATING TO AVOID
INJURY AND/OR PROPERTY DAMAGE

DETAIL DJ



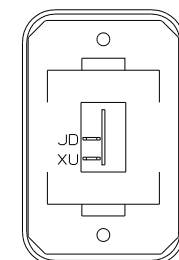
SWITCH-ROCKER
135740-01-CHT
SWITCH-BASE
135741-01-CHT
SWITCH-BEZEL
135742-01-CHT
SCREW
G11-08-08U (2)

DETAIL DC (14W)



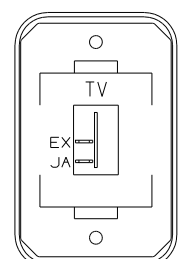
SWITCH-ROCKER
135740-01-CHT (2)
SWITCH-BASE
135741-02-CHT
SWITCH-BEZEL
135742-19-CHT
SCREW
G11-08-08U (4)

DETAIL DG



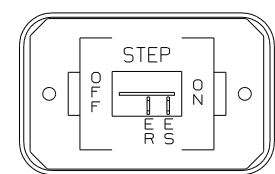
SWITCH-ROCKER
135740-01-CHT
SWITCH-BASE
135741-01-CHT
SWITCH-BEZEL
135742-01-CHT
SCREW
G11-08-08U (2)

DETAIL DK (45H)



SWITCH-ROCKER
135740-01-CHT
SWITCH-BASE
135741-01-CHT
SWITCH-BEZEL
135742-45-CHT
SCREW
G11-08-08U (2)

DETAIL DD (1JR)



SWITCH-ROCKER
135740-01-CHT
SWITCH-BASE
135741-01-CHT
SWITCH-BEZEL
135742-11-CHT
SCREW
G11-08-08U (2)

(1E2)

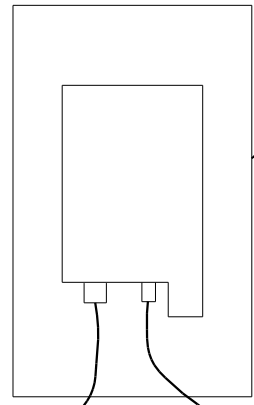
DETAIL DG

- (45H) DELUXE FEATURE PACKAGE
- (42J) TV-24" COLOR, STEREO W/REMOTE
- (23T) DRAINAGE SYSTEM-HEATED
- (14W) DINETTE
- (1JR) TV-13" W/DVD-12V
- (1E2) ENTRANCE STEP-ELEC.
- (1C2) CABT-SIDE-CAB OVHD W/O TV ST
- (265) CODES/STANDARDS-CSA/CMVSS
- (1B1) CODES/STANDARDS USA

(1B1) (265)

FIRST USED	06 326A
TITLE	DO NOT SCALE DRAWING
TITLE	WIRING INSTL-BODY, 12V
SHEET 4	PART NO 155283

(X-X) FOR ELECTRICAL CALLOUTS SEE DWG NO. 121339-01-000

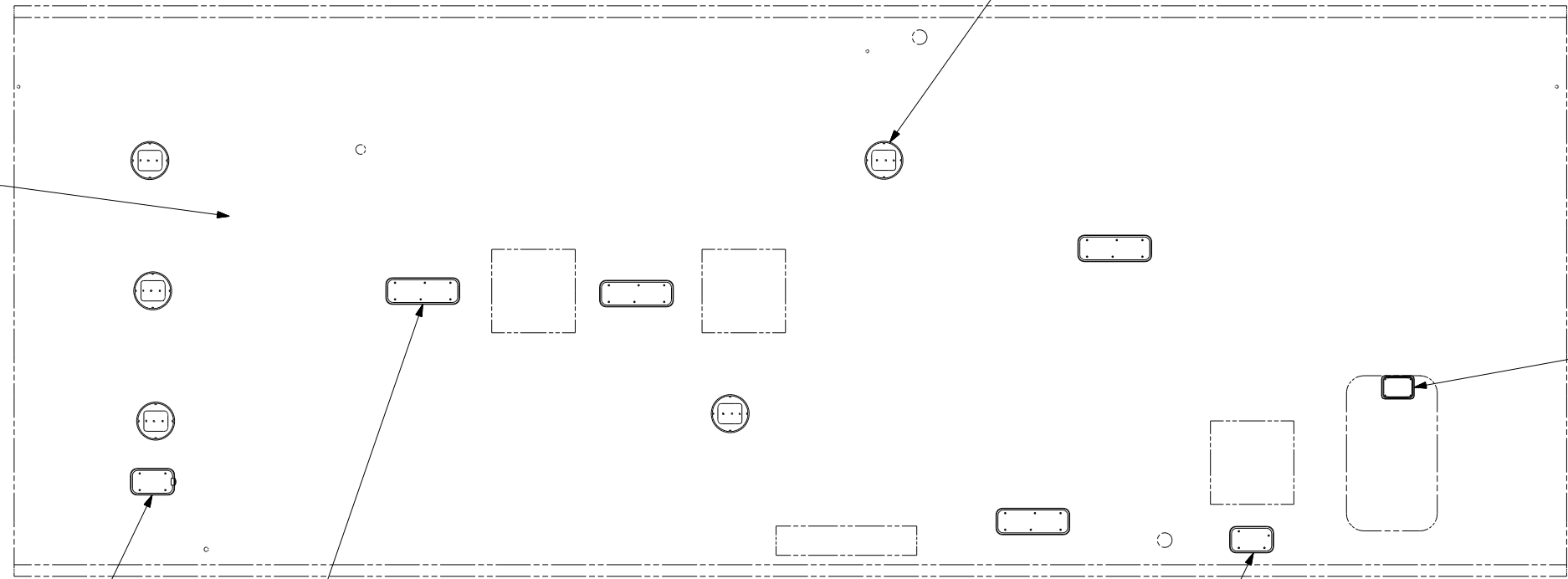


3 PIN HOUSING FROM WIRE ASM-ELEVATION SENSOR
2 PIN HOUSING FROM WIRE ASM-ROOF

DETAIL DA 480

SPEAKER-CUBE
151314-01-CHT (5)
SCREW
G68-06-12U (20) 1JM

SATELLITE ELEVATION SENSOR
DETAIL DA



3 L01-2

LFSN2 4

LFIN2

LSH-1

- 42J TV-24" COLOR, STEREO W/REMOTE
- 480 SATELLITE DISH & ELEV. SENSOR
- 1JM HOME THEATER SOUND SYSTEM
- 265 CODES/STANDARDS-CSA/CMVSS
- 1B1 CODES/STANDARDS USA

1B1 265

3 NOT USED WITH 42J

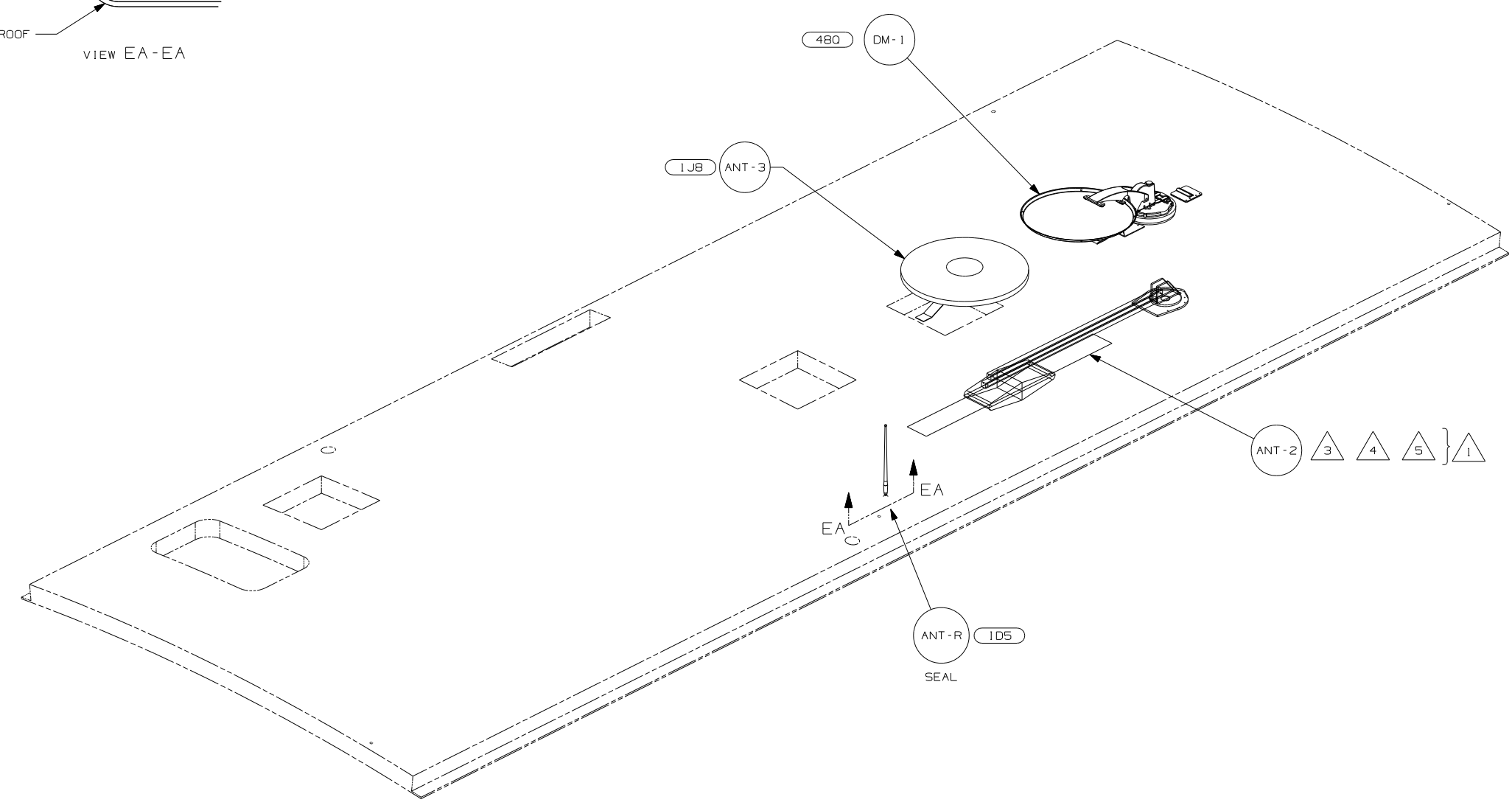
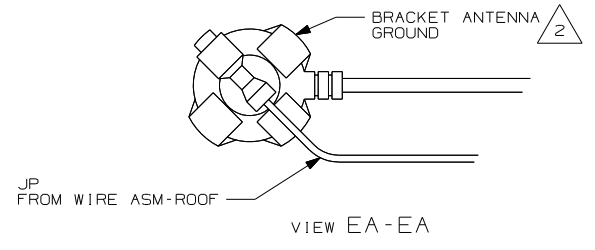
2 SENSOR SUPPLIED WITH SATELLITE ASSEMBLY.

1. SEE ROOF ASM FOR ADDITIONAL INFORMATION.

NOTES:

X-X FOR ELECTRICAL CALLOUTS SEE DWG NO. 121339-01-000

FIRST USED	06 326A
TITLE:	DO NOT SCALE DRAWING
	WIRING INSTL-BODY, 12V
SHEET 5	PART NO 155283

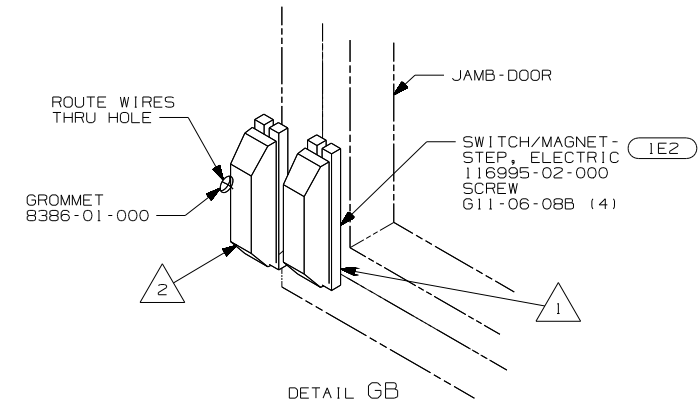
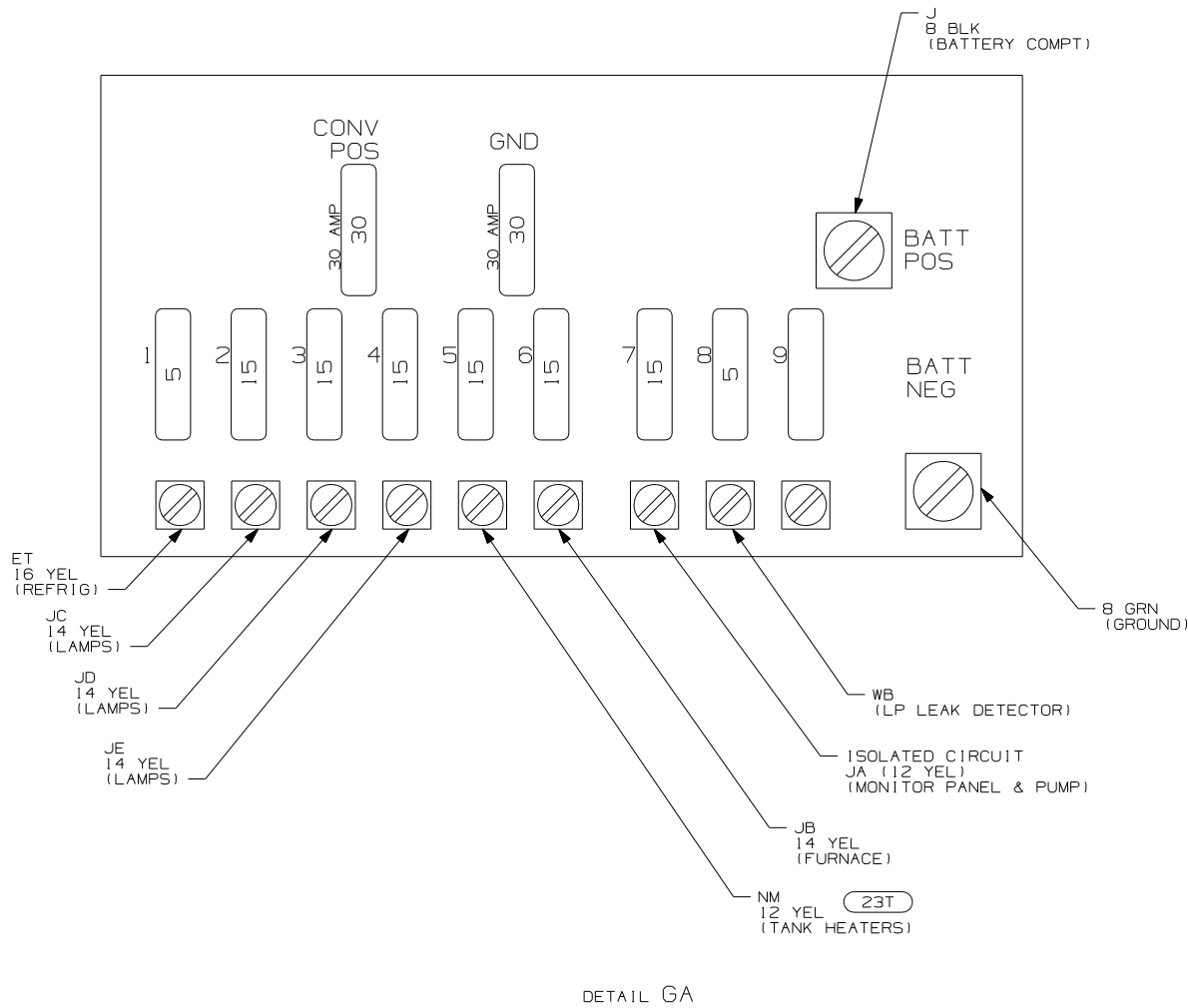


- NOTES:
- 5 ADD RUBBER BUMPERS TO ROOF UNDER EACH END OF ANTENNA IN DOWN POSITION.
 - 4 LOCATE CLIP TO RETAIN CABLE BUT NOT TO RESTRICT ANTENNA.
 - 3 SEE DRAWING 76319-01-000 FOR INSTALLATION OF TV ANTENNA.
 - 2 WRAP BRACKCET LEGS AROUND ANTENNA BASE.
 - 1 NOT USED WITH 1J8

- 1J8 TV ANTENNA-OMNIDIRECTIONAL
- 1D5 ENTERTAINMENT CENTR/EXT W/CD
- 480 SATELLITE DISH & ELEV.SENSOR
- 265 CODES/STANDARDS-CSA/CMVSS
- 1B1 CODES/STANDARDS USA

FIRST USED	06 326A
DO NOT SCALE DRAWING	
TITLE:	WIRING INSTL-BODY, 12V
SHEET 6	PART NO 155283

(X-X)
FOR ELECTRICAL CALLOUTS SEE DWG NO. 121339-01-000



- NOTES:
- 2 MOUNT SWITCH AND SPACER TO BLOCK ON JAMB. ADJUST HEIGHT TO MATCH MAGNET.
 - 1 MOUNT MAGNET USING PILOT HOLES IN SCREEN DOOR FRAME. MOUNT WITH MAGNET TOWARD SWITCH.

FOR ELECTRICAL TORQUE SPECIFICATIONS SEE DWG NO. 128783-01-000

(X-X) FOR ELECTRICAL CALLOUTS SEE DWG NO. 121339-01-000

- 1E2 ENTRANCE STEP-ELEC.
- 23T DRAINAGE SYSTEM-HEATED
- 265 CODES/STANDARDS-CSA/CMVSS
- 1B1 CODES/STANDARDS USA

FIRST USED	06 326A
DO NOT SCALE DRAWING	
TITLE:	WIRING INSTL-BODY, 12V
SHEET 7	PART NO 155283