

8

7

6

5

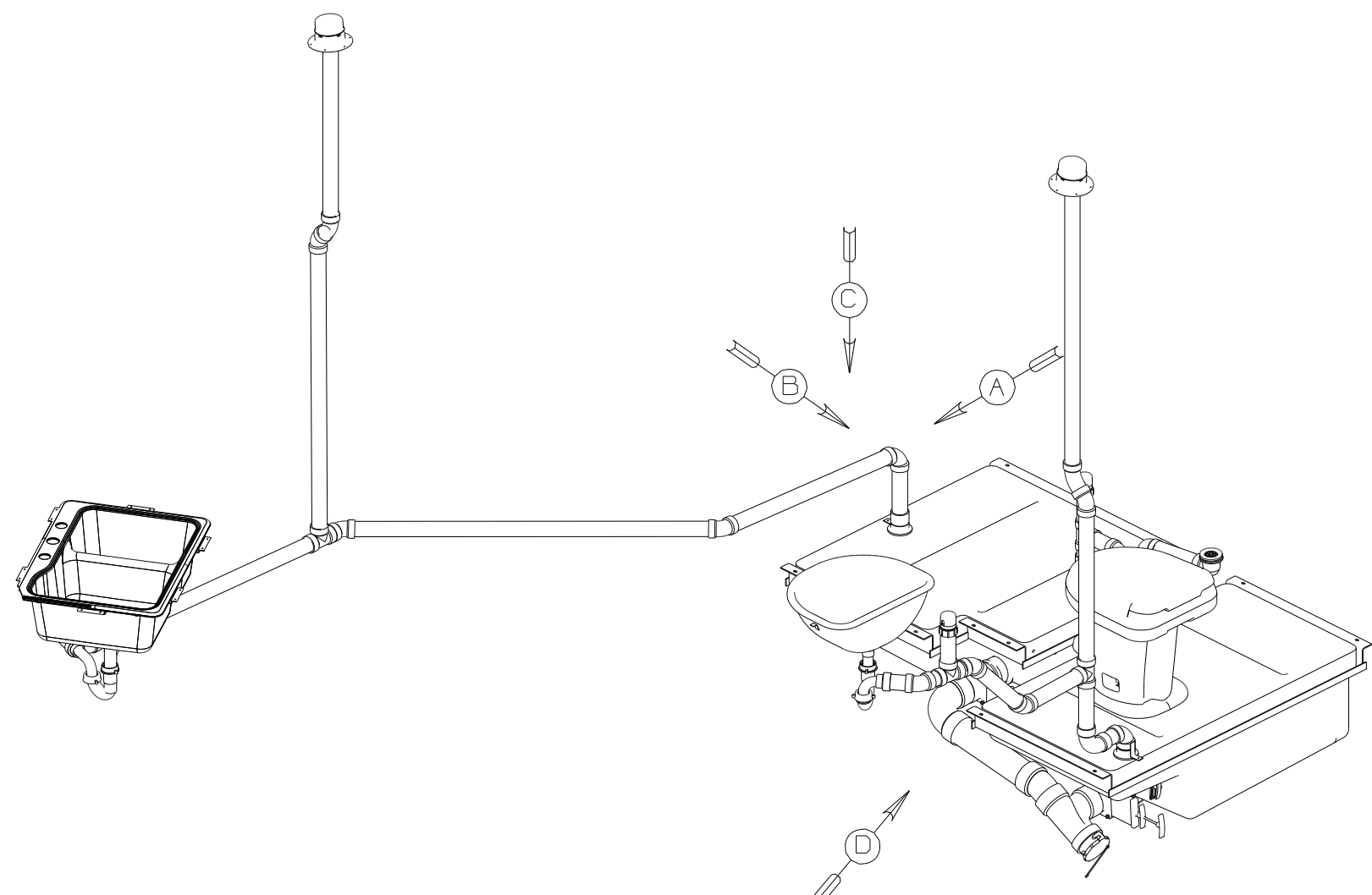
4

3

2

1

RELEASE	REV DATE	DWG NO
A		155072
REV ZONE	REVISION RECORD	DATE



- (1B1) CODES/STANDARDS-USA
- (265) CODES/STDS-CSA/CMVSS
- (23T) HEATED HOLDING TANKS PACKAGE

- 9 VENT PIPE MUST PROJECT 51 MM MIN AND 64 MM MAX ABOVE ROOF FOR PROPER FIT AND FUNCTION.
- 8. SEE DRAWING 61607-01-000 FOR INSTL OF GROMMETS.
- 7. SEAL ALL AROUND SHOWER WITH SILICONE.
- 6 SECURE VENT TUBES TO FLOOR WITH CLAMP 62401-02-000 (3) AND SCREW G67-10-12B (3).
- 5. SECURE PIPES TO CABINET USING WIRE TIE 108046-02-000 AND SCREW G67-10-12B (8).
- 4. ALL EXTERIOR OPENINGS AROUND PIPE TO BE SEALED WITH 110744-01-000.
- 3. ALL PIPE AND FITTINGS TO BE ASSEMBLED WITH SOLVENT 4020-01-000 (US) 4020-02-000 (CAN).
- 2. SLOPE OF TRAP ARM MUST BE 6 PER 305.
- 1. SLOPE OF HORIZONTAL PIPING TO BE 6 PER 305 MIN.

NOTES:

WINNEBAGO		COPYRIGHT 2006 WINNEBAGO INDUSTRIES, INC.	
DFT	ORIG. DATE	ALL DIMENSIONS ARE IN MILLIMETERS	
CHKR		FIRST USED	
P.E.		06 326A	
M.E.		UNSPECIFIED TOLERANCES ARE:	
DSNR		MATERIAL:	
		WHOLE DIM (X)	: 3
		ONE-PLACE (X.X)	: 1.5
		TWO-PLACE (X.XX)	: 0.50
		ANGLE	: 1°
THIRD ANGLE PROJECTION			
DO NOT SCALE DRAWING			
TITLE: DRAINAGE SYSTEM INSTL			
SHEET 1 OF 3	PART NO	155072	REV
REF1	1 6/13/2006		

FOR
DRAINAGE
CALLOUTS
SEE DWG NO.
116229-01-000



8

7

6

5

4

3

2

1

SINK-DBL
 148870-04-CHT
 STRAINER
 92303-01-000 (2)
 SEAL
 91255-02-000 (A/R)
 BRACKET-ZEE
 130481-07-CHT (6)
 SCREW
 142261-02-CHT (12)

SINK-LAVATORY
 142285-01-CHT
 STRAINER ASM-PLASTIC
 106116-01-CHT
 GASKET-STRAINER
 106116-02-CHT
 SCREW
 G67-08-10U (6)
 SEAL A/R

TOILET- AQUA MAGIC V,HIGH W/SPRAYER
 147421-01-CHT

SHOWER INSTL
 147936-01-000
 STRAINER
 66440-01-000
 SEALER
 69640-01-000
 NUT
 130403-01-000
 ELBOW
 131486-01-000

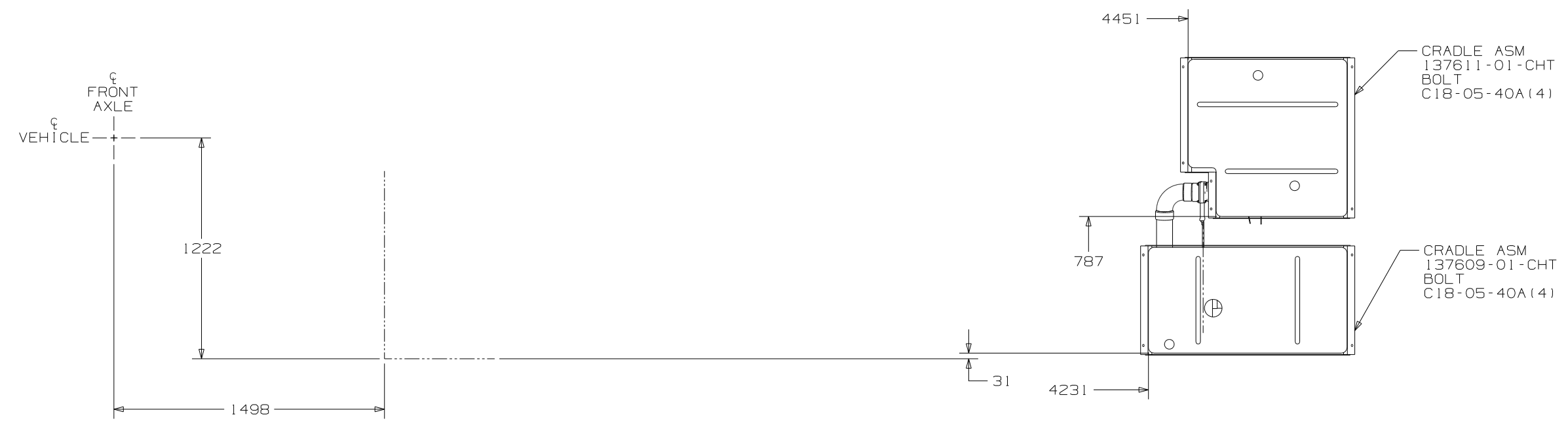
BRACKET-PIPE, VENT
 136878-01-CHT

BRACKET-PIPE, VENT
 136878-01-CHT

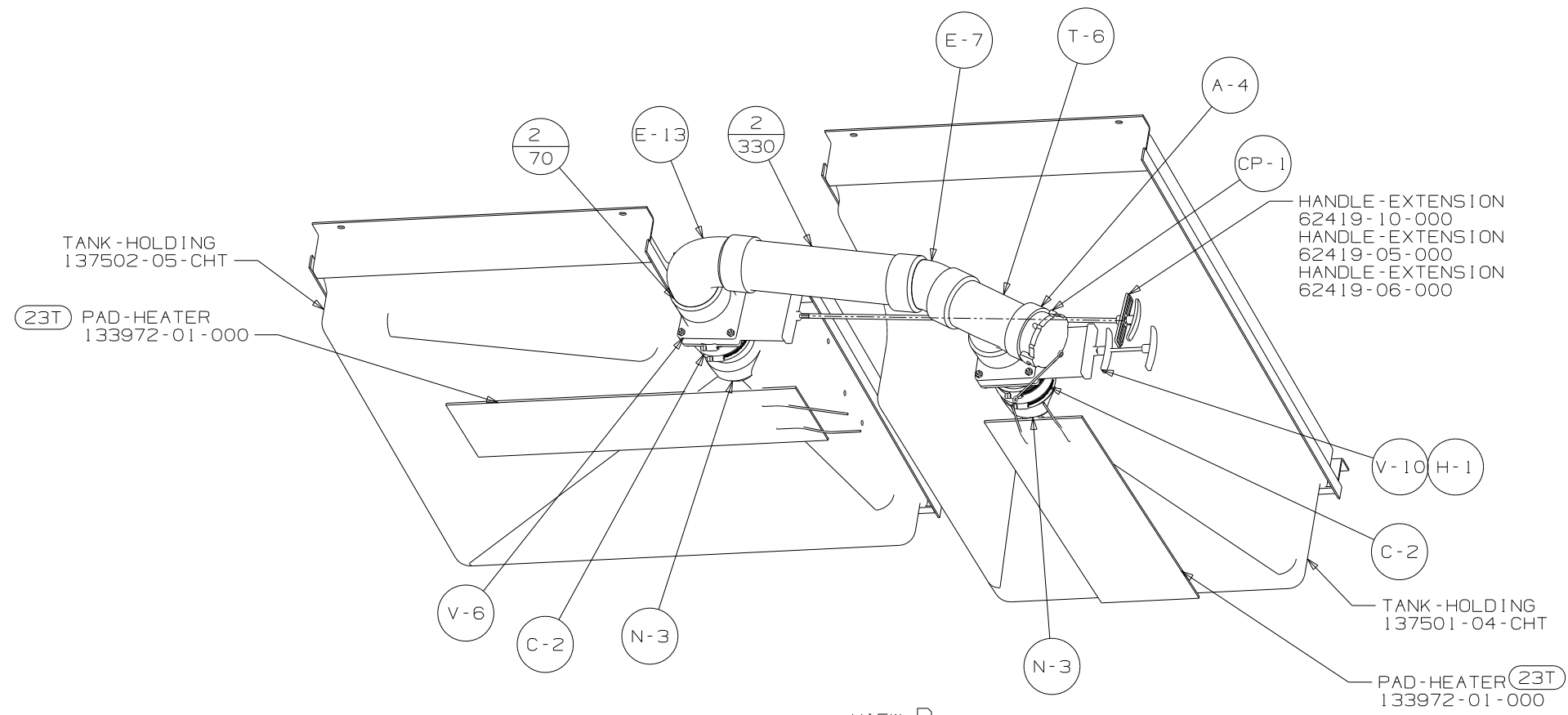
VIEW A

VIEW B

FIRST USED	06 326A
DO NOT SCALE DRAWING	
TITLE	DRAINAGE SYSTEM INSTL
SHEET 2	PART NO 155072 REV

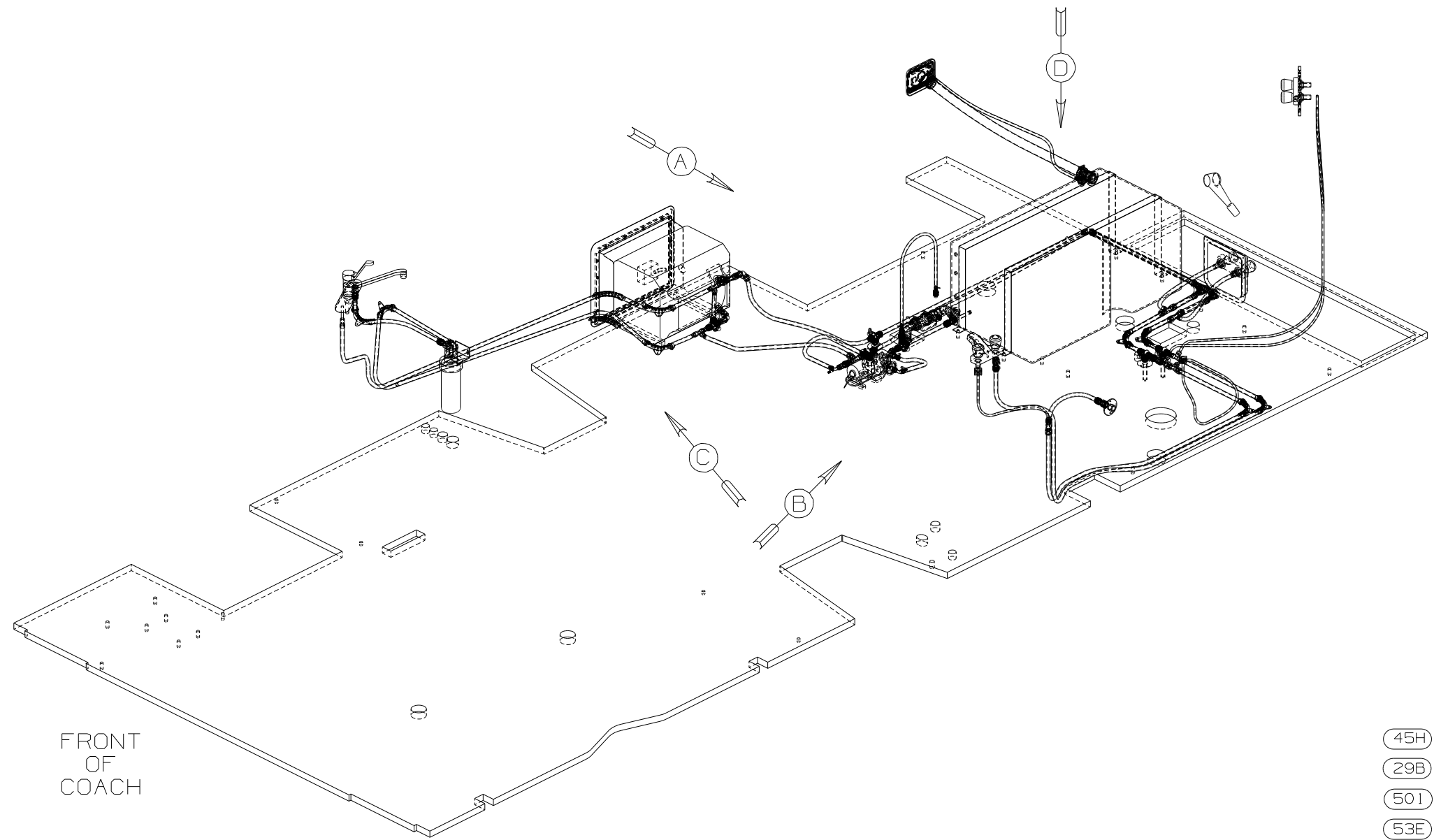


VIEW C



VIEW D

FIRST USED	06 326A
DO NOT SCALE DRAWING	
TITLE	DRAINAGE SYSTEM INSTL
SHEET 3	PART NO 155072 REV



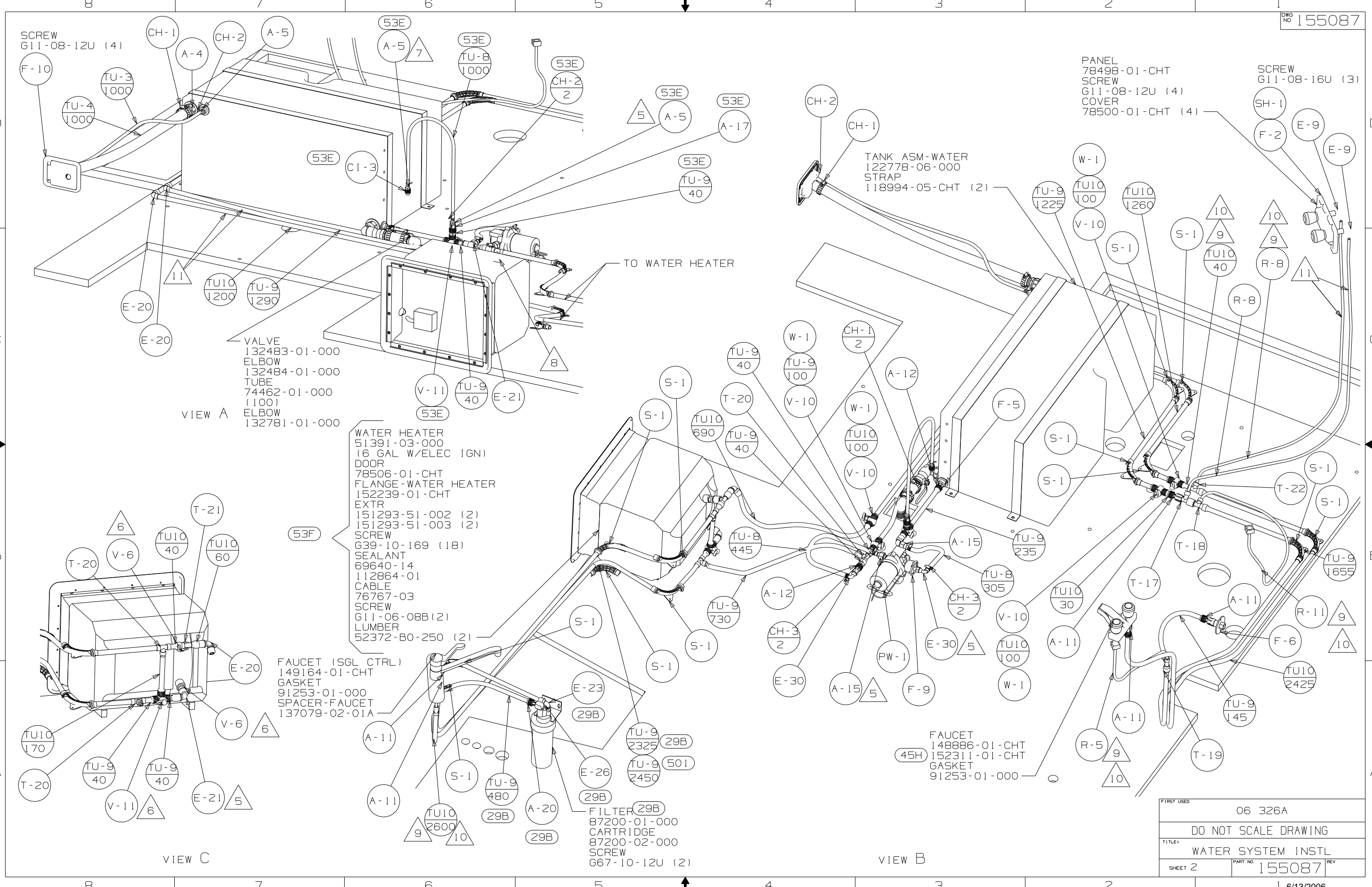
FRONT
OF
COACH

- (45H) DELUXE FEATURE PACKAGE
- (29B) WATER PURIFIER
- (50I) WATER PURIFIER W/O
- (53E) WATER SYS WINTERIZATION PKG
- (64R) EXTERIOR WASH STATION
- (1J4) EXTERIOR SHWR-W/OUT
- (53F) WATER HEATER-6 GAL-ELEC IGN

- NOTES:
1. PLASTIC FITTINGS TO BE SEALED WITH SEALANT 84456-01-000.
 2. TUBING TO BE INSTALLED WITH SUFFICIENT SLOPE TO PROVIDE DRAINAGE TO NEAREST VALVE.
 3. ADD TUBING TO BE SECURED AT 1200 INTERVALS MAXIMUM WITH CLAMP 10495-01-000 OR CLIP 9151-01-000 AND SCREW G67-10-12B.
 4. ADD TEFLON TAPE 10405-02-000.
 5. ADD TEFLON TAPE 10405-03-000.
 6. ADD TEFLON TAPE 10405-01-000.
 7. ATTACH WASHER-PLASTIC 87080-11-CHT WITH TAPE-DOUBLE 123816-03-000 ON BOTTOM SIDE OF COMPARTMENT
 8. ATTACH WASHER-PLASTIC 87080-13-CHT WITH TAPE-DOUBLE 123816-03-000 ON BOTTOM SIDE OF FLOOR.
 9. TAPE FITTING TO TUBE BEFORE CABINET SET TO PREVENT FITTING FROM MOVING.
 10. LABEL HOT AND COLD SUPPLY TUBES.
 11. ADD PIPE WRAP (LADDER SCRAP) INSULATION HERE.

(X-X)
FOR
WATER
CALLOUTS
SEE DWG NO
116230-01-000

WINNEBAGO		COPYRIGHT 2006 WINNEBAGO INDUSTRIES, INC.	
DFTR	ORIG. DATE	ALL DIMENSIONS ARE IN MILLIMETERS	
CHKR		FIRST USED	
P.E.		06 326A	
M.E.		UNSPECIFIED TOLERANCES ARE:	
DSNR		MATERIAL:	
		WHOLE DIM (X)	: 3
		ONE-PLACE (X.X)	:
		TWO-PLACE (X.XX)	:
		ANGLE	:
THIRD ANGLE PROJECTION		DO NOT SCALE DRAWING	
TITLE: WATER SYSTEM INSTL			
SHEET 1 OF 3	PART NO	155087	REV
REF	1 6/13/2006		



SCREW
G11-08-12U (4)

VALVE
132483-01-000
ELBOW
132484-01-000
TUBE
74462-01-000
(100)
ELBOW
132781-01-000

VIEW A

WATER HEATER
51391-03-000
(6 GAL W/ELEC 1GN)
DOOR
78506-01-CHT
FLANGE-WATER HEATER
152239-01-CHT
EXTR
151293-51-002 (2)
151293-51-003 (2)
SCREW
G39-10-169 (18)
SEALANT
69640-14
112864-01
CABLE
76767-03
SCREW
G11-06-08B(2)
LUMBER
52372-B0-250 (2)

FAUCET (SGL CTRL)
149164-01-CHT
GASKET
91253-01-000
SPACER-FAUCET
137079-02-01A

VIEW C

FILTER
87200-01-000
CARTRIDGE
87200-02-000
SCREW
G67-10-12U (2)

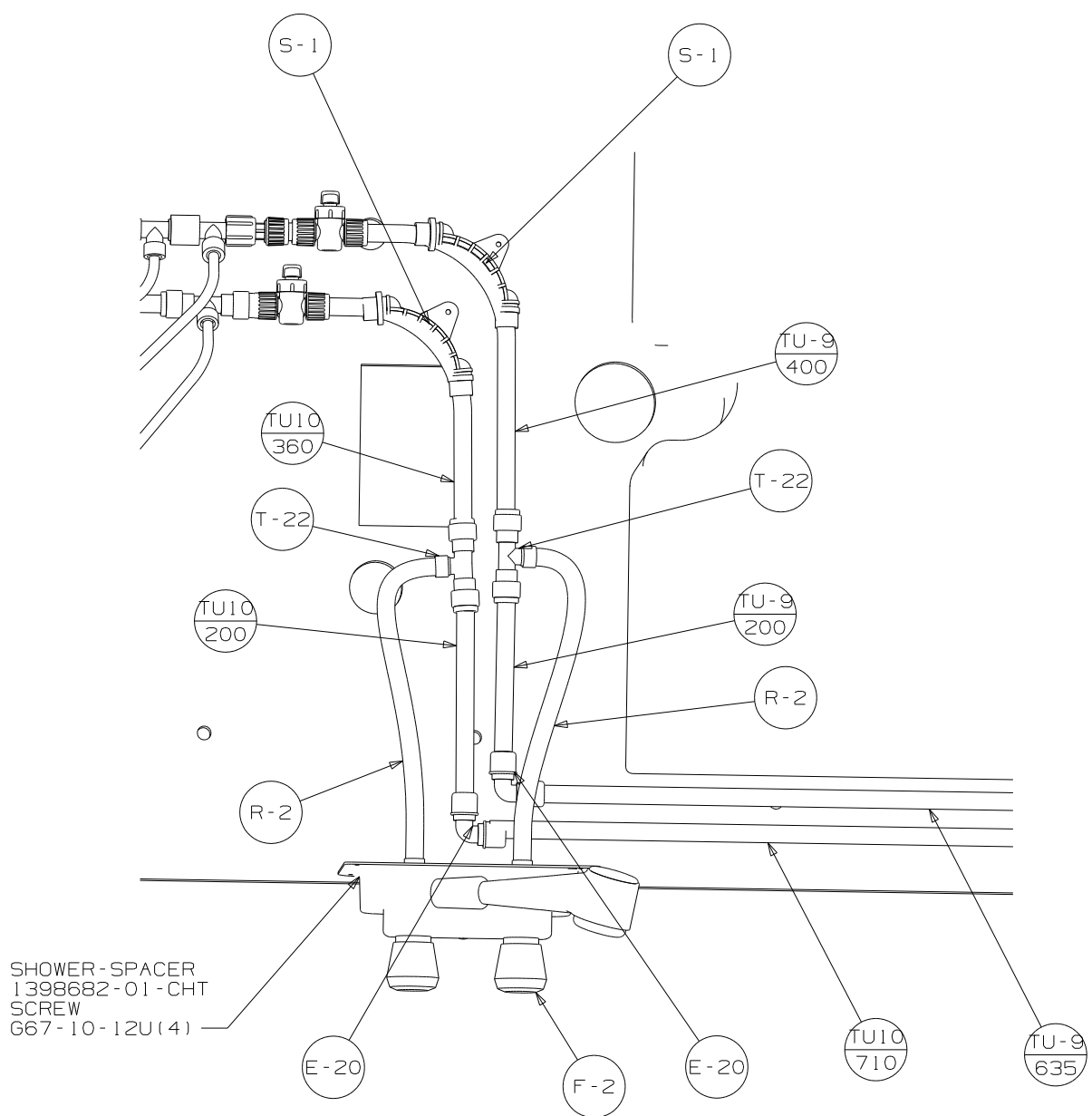
VIEW B

TANK ASM-WATER
122778-06-000
STRAP
118994-05-CHT (2)

PANEL
78498-01-CHT
SCREW
G11-08-12U (4)
COVER
78500-01-CHT (4)

SCREW
G11-08-16U (3)

FIRST USED	06 326A
TITLE	DO NOT SCALE DRAWING
TITLE	WATER SYSTEM INSTL
SHEET 2	PART NO 155087 REV



VIEW D
64R

FIRST USED	06 326A		
TITLE	DO NOT SCALE DRAWING		
	WATER SYSTEM INSTL		
SHEET 3	PART NO	155087	REV