



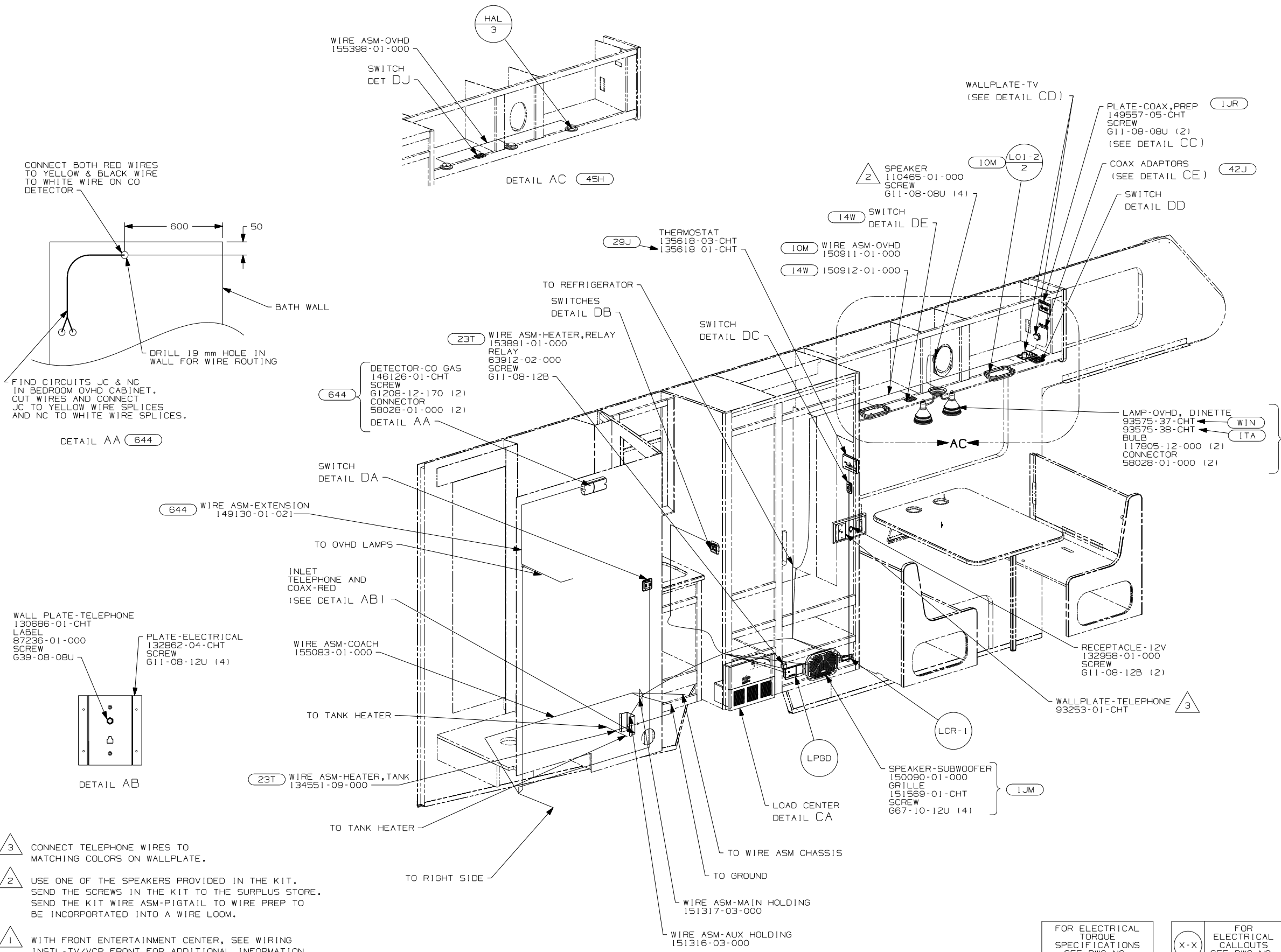
DANGER

Danger of electrical shock, burns or death. Always remove all power sources before attempting any repair, service or diagnostic work. Power can be present from shore power, generator, inverter or battery. All power sources must be disabled and secured before performing any service.

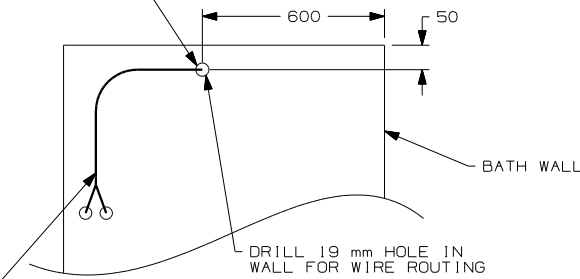


CAUTION

If you lack the skills, tools or equipment to perform diagnostic or repair work leave such work to an authorized Winnebago Industries dealer or other qualified shop.



CONNECT BOTH RED WIRES TO YELLOW & BLACK WIRE TO WHITE WIRE ON CO DETECTOR

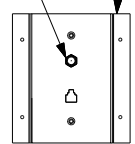


FIND CIRCUITS JC & NC IN BEDROOM OVHD CABINET. CUT WIRES AND CONNECT JC TO YELLOW WIRE SPLICES AND NC TO WHITE WIRE SPLICES.

DETAIL AA (644)

WALL PLATE-TELEPHONE 130686-01-CHT LABEL 87236-01-000 SCREW 639-08-08U

PLATE-ELECTRICAL 132862-04-CHT SCREW 611-08-12U (4)



DETAIL AB

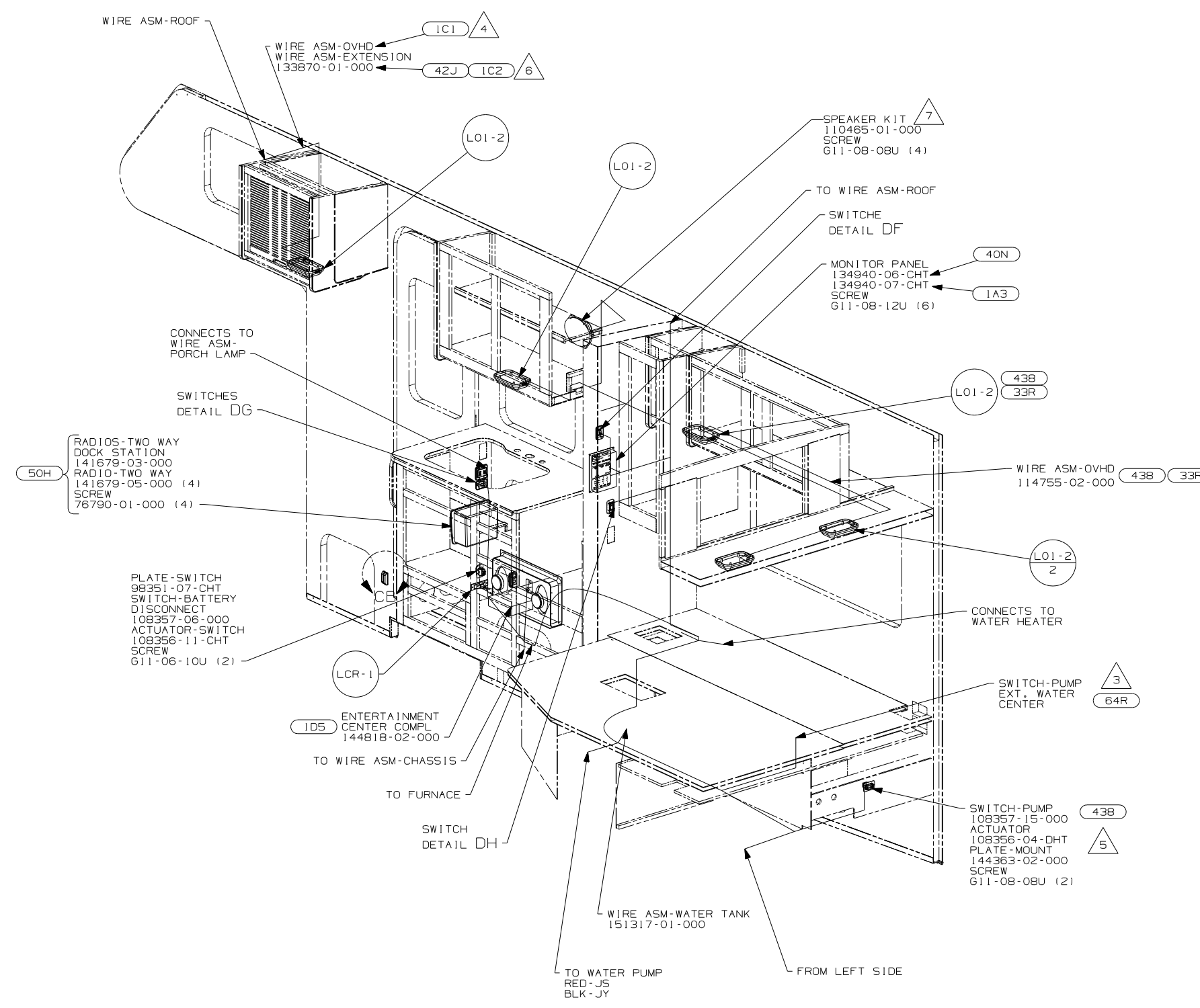
- NOTES:
- 3 CONNECT TELEPHONE WIRES TO MATCHING COLORS ON WALLPLATE.
 - 2 USE ONE OF THE SPEAKERS PROVIDED IN THE KIT. SEND THE SCREWS IN THE KIT TO THE SURPLUS STORE. SEND THE KIT WIRE ASM-PIGTAIL TO WIRE PREP TO BE INCORPORATED INTO A WIRE LOOM.
 - 1 WITH FRONT ENTERTAINMENT CENTER, SEE WIRING INSTL-TV/VCR, FRONT FOR ADDITIONAL INFORMATION.

- (ITA) ITASCA ONLY
- (WIN) WINNEBAGO ONLY
- (644) GREAT ALASKAN RENTAL PACKAGE
- (45H) DELUXE FEATURE PACKAGE
- (42J) TV-24" COLOR, STEREO W/REMOTE
- (23T) DRAINAGE SYSTEM-HEATED
- (14W) DINETTE
- (10M) COUCH
- (1JR) TV-13" W/DVD-12V
- (1JM) HOME THEATER SOUND SYSTEM
- (265) CODES/STANDARDS-CSA/CMVSS
- (1B1) CODES/STANDARDS USA

WINNEBAGO		COPYRIGHT 2004 WINNEBAGO INDUSTRIES, INC.	
DFTR	ORIG. DATE		
CHKR	ALL DIMENSIONS ARE IN MILLIMETERS		
P.E.	FIRST USED	06 324V	
M.E.			
DSNR			
UNSPECIFIED TOLERANCES ARE:		MATERIAL:	
WHOLE DIM (X)	:		*
ONE-PLACE (X.X)	:		*
TWO-PLACE (X.XX)	:		*
ANGLE	:		*
THIRD ANGLE PROJECTION		DO NOT SCALE DRAWING	
TITLE: WIRING INSTL-BODY, 12V			
SHEET 1 OF 7	PART NO	155077	
REF:		1 12/9/2005	

FOR ELECTRICAL TORQUE SPECIFICATIONS SEE DWG NO. 128783-01-000

(X-X) FOR ELECTRICAL CALLOUTS SEE DWG NO. 121339-01-000



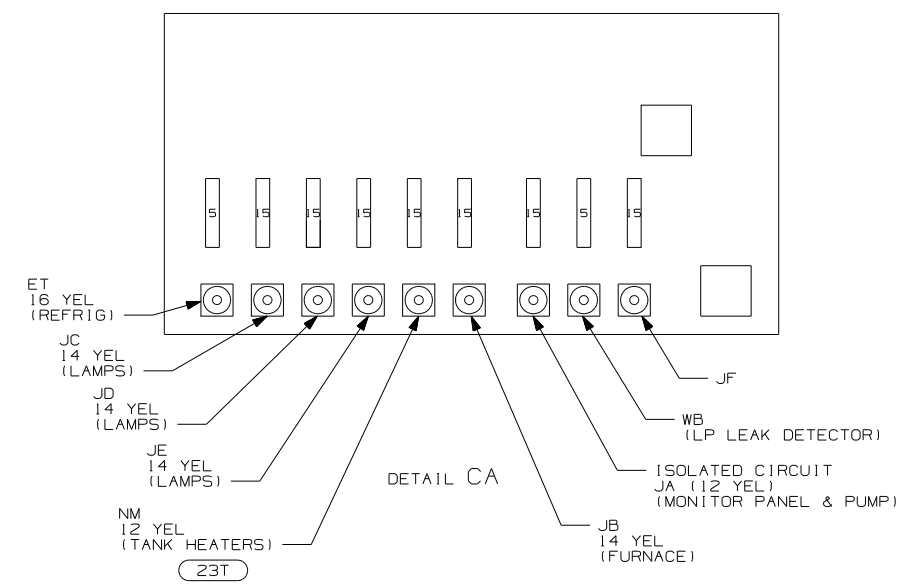
- (64R) EXTERIOR WASH STATION
- (50H) RADIOS TWO-WAY (4)
- (49X) BED-QUEEN - BACKWALL
- (438) DINETTE L-SHAPED
- (42J) TV-24" COLOR, STEREO W/REMOTE
- (40N) GEN-4.0KW-ONANGAS-MICROQUIET
- (33R) DINETTE L-SHAPED (CSA)
- (23T) DRAINAGE SYSTEM-HEATED
- (1E2) ENTRANCE STEP-ELEC.
- (1D5) ENTERTAINMENT CENTR/EXT W/CD
- (1C2) CABT-SIDE-CAB OVHD W/O TV ST
- (1C1) CABINET-SIDE W/TV STORAGE
- (1A3) GENERATOR WITHOUT
- (265) CODES/STANDARDS-CSA/CMVSS
- (1B1) CODES/STANDARDS USA

- 7 USE ONE OF THE SPEAKERS PROVIDED IN THE KIT. SEND THE SCREWS IN THE KIT TO THE SURPLUS STORE. SEND THE KIT WIRE ASM-PIGTAIL TO WIRE PREP TO BE INCORPORATED INTO A WIRE LOOM.
- 6 GRN/GRN COAX IS NOT USED WITH (42J).
- 5 SWITCH MOVES TO THIS LOCATION WITH (43B) OPTION.
- 4 SEE CABT ASM-OVHD FOR ADDITIONAL INFORMATION.
- 3 WITHOUT (64R), SECURE SWITCH ASM AND WIRE DROP BACK ALONG MAIN HARNESS.
- 2 MOUNT SWITCH AND SPACER TO BLOCK ON JAMB. ADJUST HEIGHT TO MATCH MAGNET.
- 1 MOUNT MAGNET USING PILOT HOLES IN SCREEN DOOR FRAME. MOUNT WITH MAGNET TOWARD SWITCH.

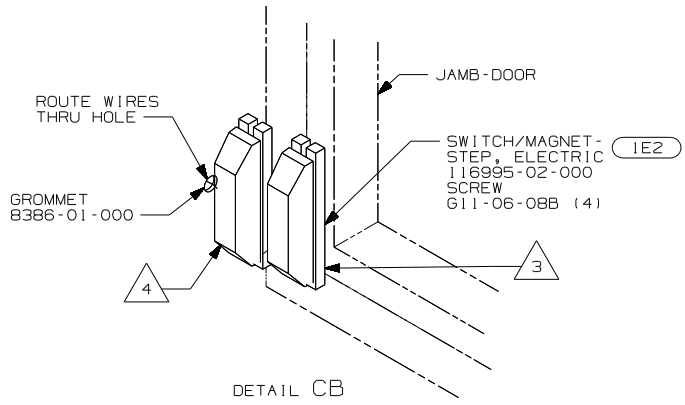
FOR ELECTRICAL TORQUE SPECIFICATIONS SEE DWG NO. 128783-01-000

(X-X) FOR ELECTRICAL CALLOUTS SEE DWG NO. 121339-01-000

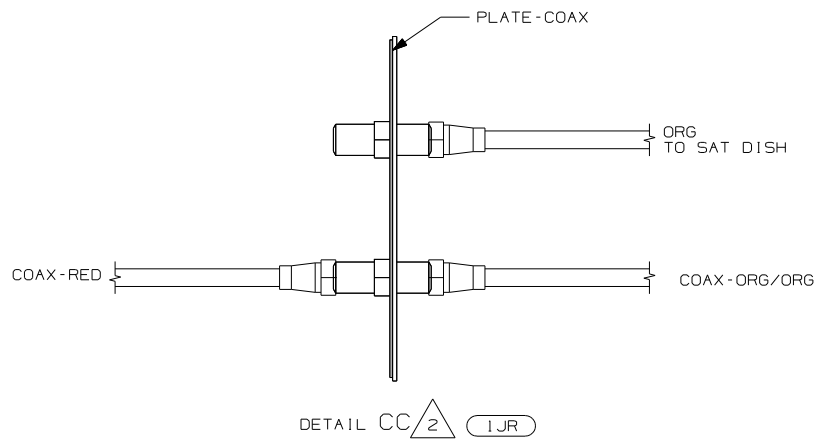
FIRST USED	06 324V
DO NOT SCALE DRAWING	
TITLE:	WIRING INSTL-BODY, 12V
SHEET 2	PART NO 155077



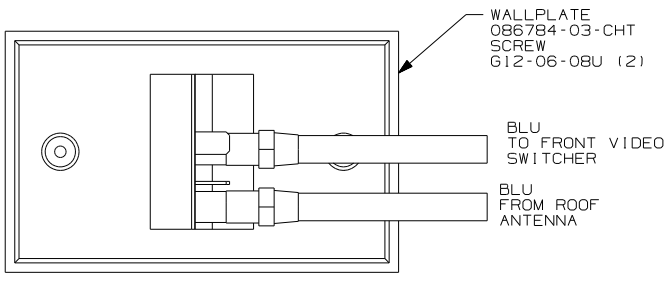
DETAIL CA



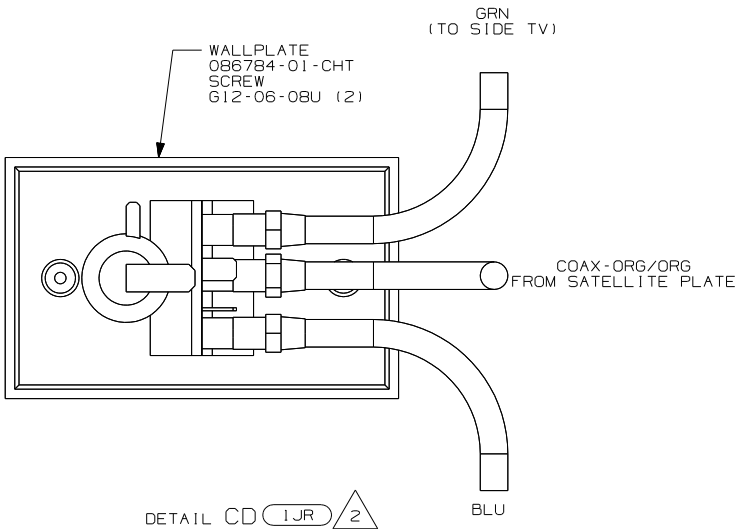
DETAIL CB



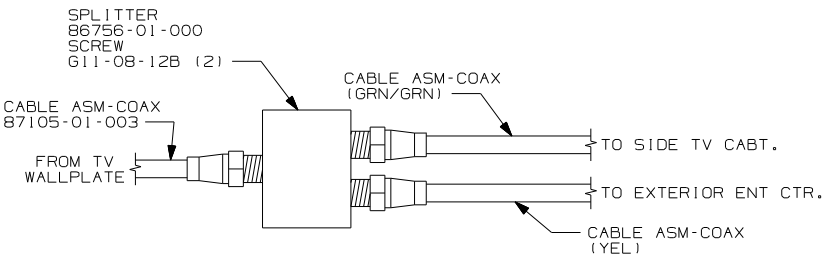
DETAIL CC 2 (1JR)



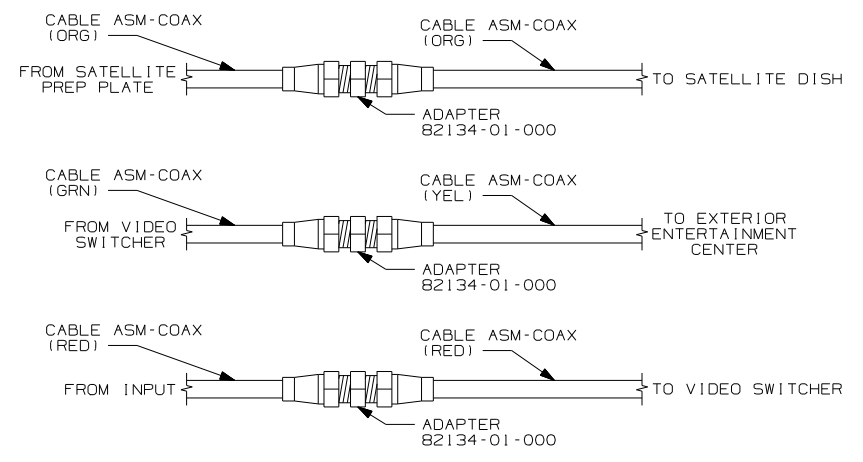
DETAIL CD 42J



DETAIL CD 1JR 2



DETAIL CD 1 (1JR) (ID5)



DETAIL CE 42J

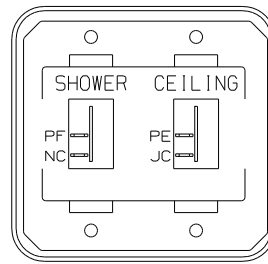
- NOTES:
- 4. MOUNT SWITCH AND SPACER TO BLOCK ON JAMB. ADJUST HEIGHT TO MATCH MAGNET. MOUNT MAGNET USING PILOT HOLES IN SCREEN DOOR FRAME. MOUNT WITH MAGNET TOWARD SWITCH.
 - 3. NOT USED WITH (42J).
 - 2. WITH FRONT ENTERTAINMENT CENTER, SEE WIRING INSTL-TV/VCR, FRONT FOR ADDITIONAL INFORMATION.

FOR ELECTRICAL TORQUE SPECIFICATIONS SEE DWG NO. 128783-01-000

FOR ELECTRICAL CALLOUTS SEE DWG NO. 121339-01-000

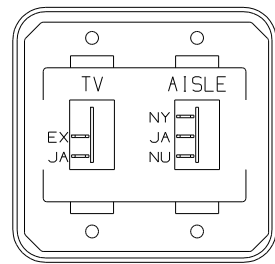
- (42J) TV-24" COLOR, STEREO W/REMOTE
- (23T) DRAINAGE SYSTEM-HEATED
- (1JR) TV-13" W/DVD-12V
- (1E2) ENTRANCE STEP-ELEC.
- (ID5) ENTERTAINMENT CENTER/EXT W/CD
- (265) CODES/STANDARDS-CSA/CMVSS
- (1B1) CODES/STANDARDS USA

FIRST USED	06 324V
TITLE	DO NOT SCALE DRAWING
	WIRING INSTL-BODY, 12V
SHEET 3	PART NO 155077



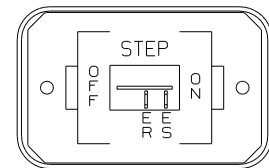
SWITCH-ROCKER
135740-01-CHT (2)
SWITCH-BASE
135741-02-CHT
SWITCH-BEZEL
135742-15-CHT
SCREW
611-08-08U (4)

DETAIL DA



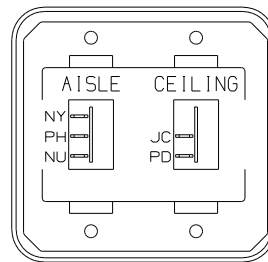
SWITCH-ROCKER
135740-01-CHT
135740-02-CHT
SWITCH-BASE
135741-02-CHT
SWITCH-BEZEL
135742-44-CHT
SCREW
611-08-08U (4)

DETAIL DD (1JR)



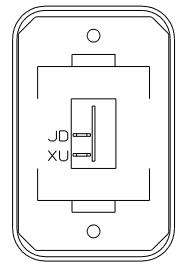
SWITCH-ROCKER
135740-01-CHT
SWITCH-BASE
135741-01-CHT
SWITCH-BEZEL
135742-11-CHT
SCREW
611-08-08U (2)

DETAIL DG (1E2)



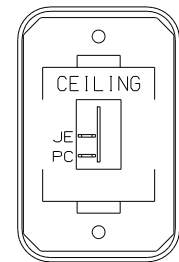
SWITCH-ROCKER
135740-01-CHT
135740-02-CHT
SWITCH-BASE
135741-02-CHT
SWITCH-BEZEL
135742-13-CHT
SCREW
611-08-08U (4)

DETAIL DB



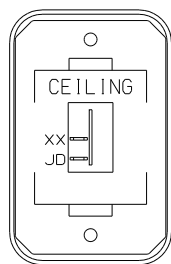
SWITCH-ROCKER
135740-01-CHT
SWITCH-BASE
135741-01-CHT
SWITCH-BEZEL
135742-01-CHT
SCREW
611-08-08U (2)

DETAIL DE (14W)



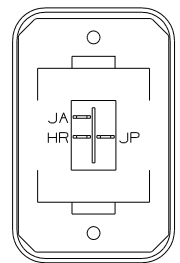
SWITCH-ROCKER
135740-01-CHT
SWITCH-BASE
135741-01-CHT
SWITCH-BEZEL
135742-07-CHT
SCREW
611-08-08U (2)

DETAIL DH



SWITCH-ROCKER
135740-01-CHT
SWITCH-BASE
135741-01-CHT
SWITCH-BEZEL
135742-07-CHT
SCREW
611-08-08U (2)

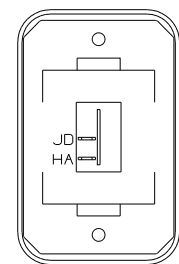
DETAIL DC



SWITCH-ROCKER
135740-06-CHT
SWITCH-BASE
135741-01-CHT
SWITCH-BEZEL
135742-01-CHT
SCREW
611-08-08U (2)

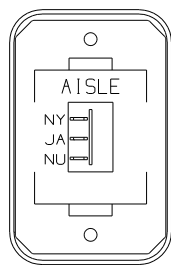
HOLDING TANK HEATER
TURN OFF When Not In Use
SEE OPERATORS MANUAL

DETAIL DF (23T)



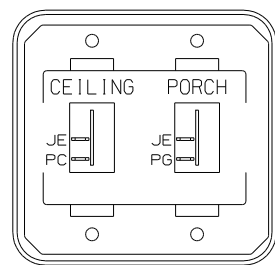
SWITCH-ROCKER
135740-01-CHT
SWITCH-BASE
135741-01-CHT
SWITCH-BEZEL
135742-01-CHT
SCREW
611-08-08U (2)

DETAIL DJ (45H)



SWITCH-ROCKER
135740-02-CHT
SWITCH-BASE
135741-01-CHT
SWITCH-BEZEL
135742-06-CHT
SCREW
611-08-08U (2)

DETAIL DD (42J) (1C2)



SWITCH-ROCKER
135740-01-CHT (2)
SWITCH-BASE
135741-02-CHT
SWITCH-BEZEL
135742-19-CHT
SCREW
611-08-08U (4)

DETAIL DG

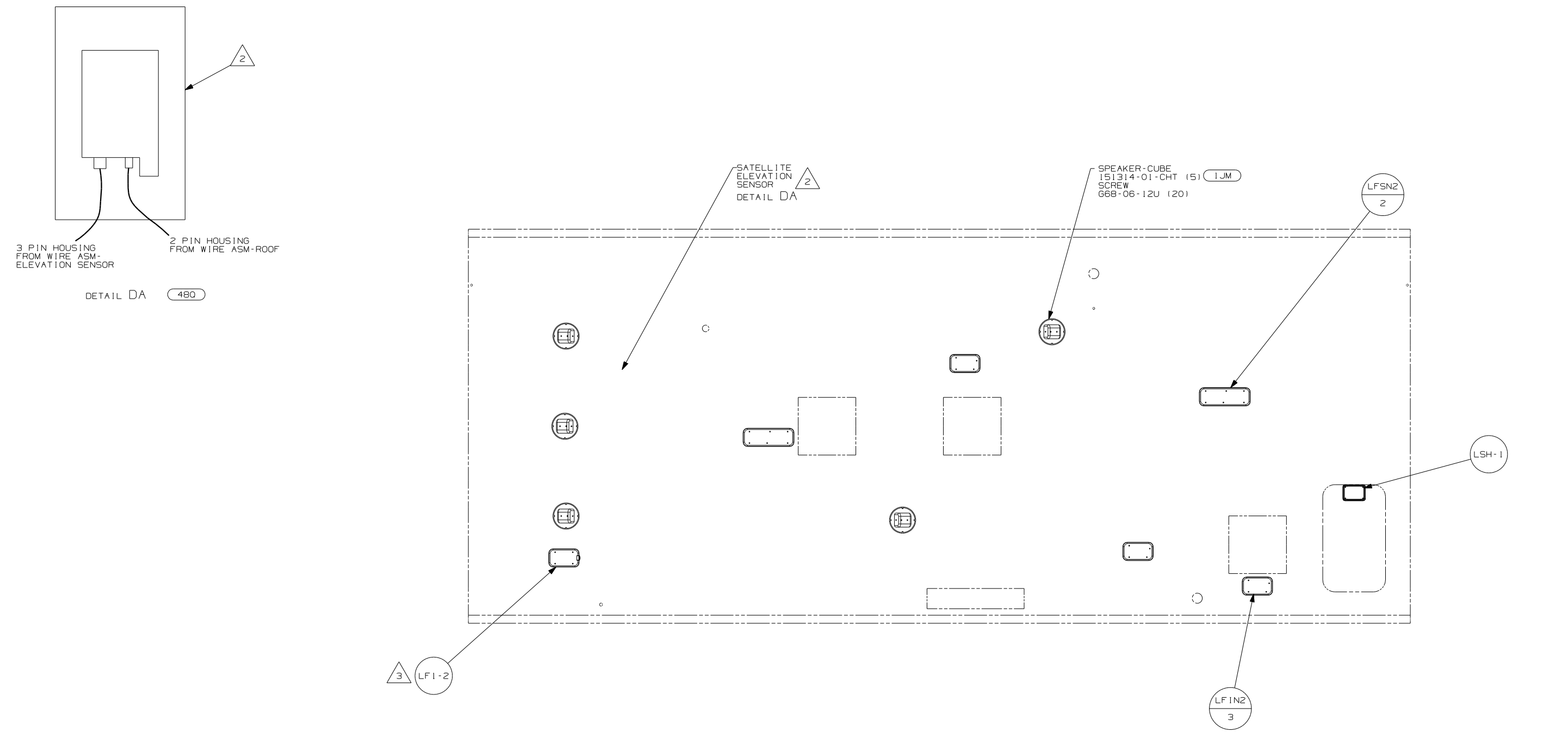
- (45H) DELUXE FEATURE PACKAGE
- (42J) TV-24" COLOR, STEREO W/REMOTE
- (23T) DRAINAGE SYSTEM-HEATED
- (14W) DINETTE
- (1JR) TV-13" W/DVD-12V
- (1E2) ENTRANCE STEP-ELEC.
- (1C2) CABT-SIDE-CAB OVHD W/O TV ST
- (265) CODES/STANDARDS-CSA/CMVSS
- (1B1) CODES/STANDARDS USA

(1B1) (265)

FOR ELECTRICAL TORQUE SPECIFICATIONS SEE DWG NO. 128783-01-000

FOR ELECTRICAL CALLOUTS SEE DWG NO. 121339-01-000

FIRST USED	06 324V
TITLE	DO NOT SCALE DRAWING
TITLE	WIRING INSTL-BODY, 12V
SHEET 4	PART NO 155077



3 PIN HOUSING FROM WIRE ASM-ELEVATION SENSOR
 2 PIN HOUSING FROM WIRE ASM-ROOF
 DETAIL DA 480

SATELLITE ELEVATION SENSOR
 DETAIL DA

SPEAKER-CUBE
 151314-01-CHT (5) 1JM
 SCREW
 688-06-12U (20)

LFSN2
 2

LSH-1

LFI1-2
 3

LFI1N2
 3

3 NOT USED WITH 42J

2 SENSOR SUPPLIED WITH SATELLITE ASSEMBLY.

1. SEE ROOF ASM FOR ADDITIONAL INFORMATION.

NOTES:

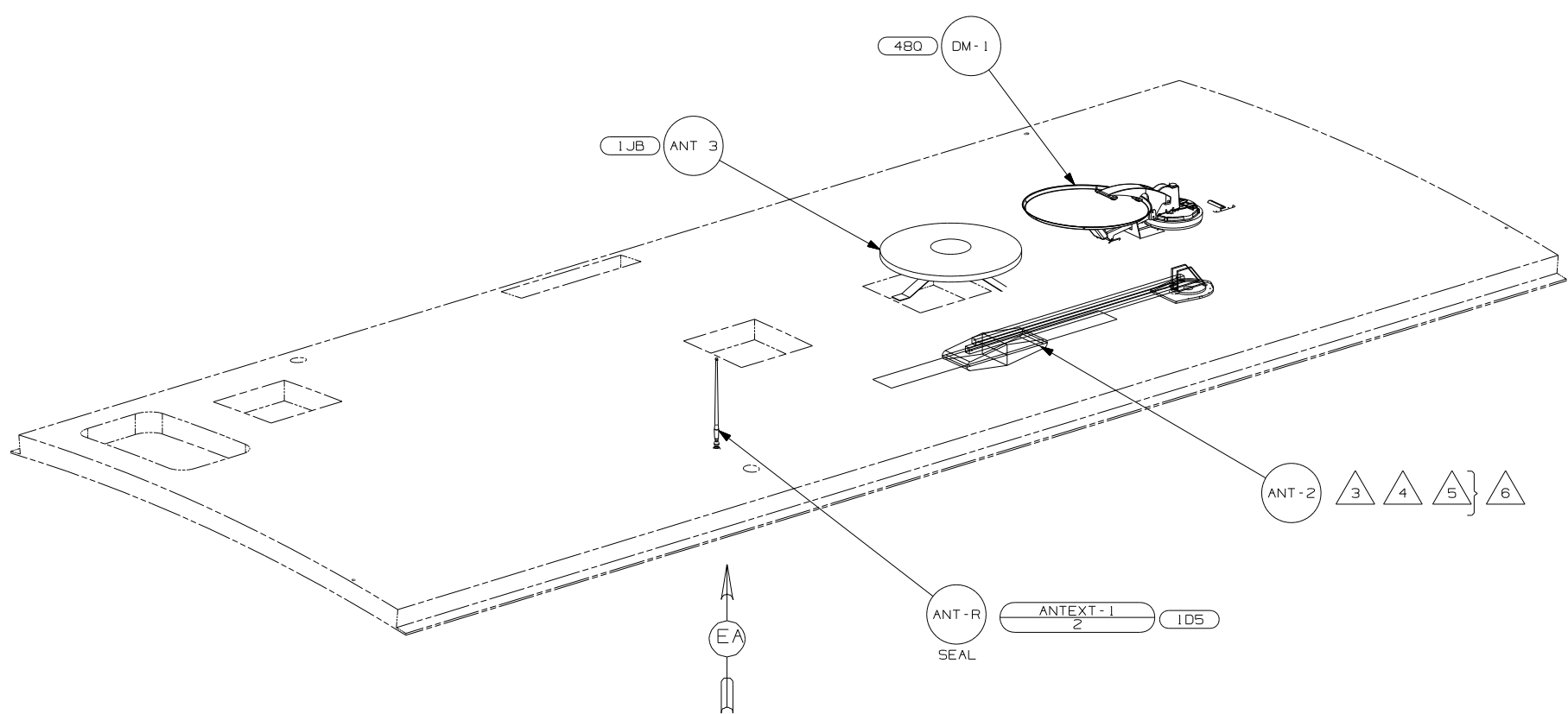
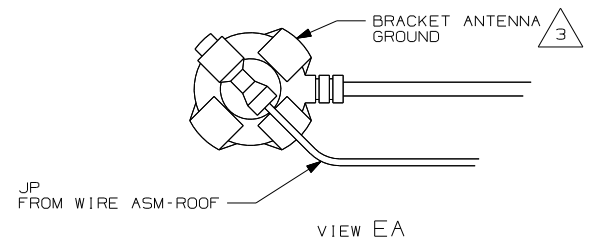
- 480 SATELLITE DISH & ELEV.SENSOR
- 42J RESTEASY(DINING)DUAL LEATHER
- 1JM HOME THEATER SOUND SYSTEM
- 265 CODES/STANDARDS-CSA/CMVSS
- 1B1 CODES/STANDARDS USA

1B1 265

FOR ELECTRICAL TORQUE SPECIFICATIONS SEE DWG NO. 128783-01-000

X-X FOR ELECTRICAL CALLOUTS SEE DWG NO. 121339-01-000

FIRST USED	06 324V
DO NOT SCALE DRAWING	
TITLE:	WIRING INSTL-BODY, 12V
SHEET 5	PART NO 155077



- △ 6 NOT USED WITH (1JB).
- △ 5 ADD RUBBER BUMPERS TO ROOF UNDER EACH END OF ANTENNA IN DOWN POSITION.
- △ 4 LOCATE CLIP TO RETAIN CABLE BUT NOT TO RESTRICT ANTENNA.
- △ 3 SEE DRAWING 76319-01-000 FOR INSTALLATION OF TV ANTENNA.
- △ 2 WRAP BRACKET LEGS AROUND ANTENNA BASE.

1. ALL WIRES TO BE CLAMPED WITH CLAMP 10495-01-000 OR WIRE TIE 8343-02-000 EVERY 600MM, UNLESS OTHERWISE SPECIFIED.

NOTES:

- (1JB) TV ANTENNA-OMNIDIRECTIONAL
- (ID5) ENTERTAINMENT CENTR/EXT W/CD
- (480) SATELLITE DISH & ELEV.SENSOR
- (265) CODES/STANDARDS-CSA/CMVSS
- (1B1) CODES/STANDARDS USA

FIRST USED	06 324V
DO NOT SCALE DRAWING	
TITLE:	WIRING INSTL-BODY, 12V
SHEET 6	PART NO 155077

FOR ELECTRICAL TORQUE SPECIFICATIONS SEE DWG NO. 128783-01-000

(X-X) FOR ELECTRICAL CALLOUTS SEE DWG NO. 121339-01-000