

- (1B) CODES/STANDARDS-USA
- (265) CODES/STDS-CSA/CMVSS
- (23T) HEATED HOLDING TANKS PACKAGE
- (43F) SHOWER SURROUND
- (644) GREAT ALASKAN RENTAL PKG

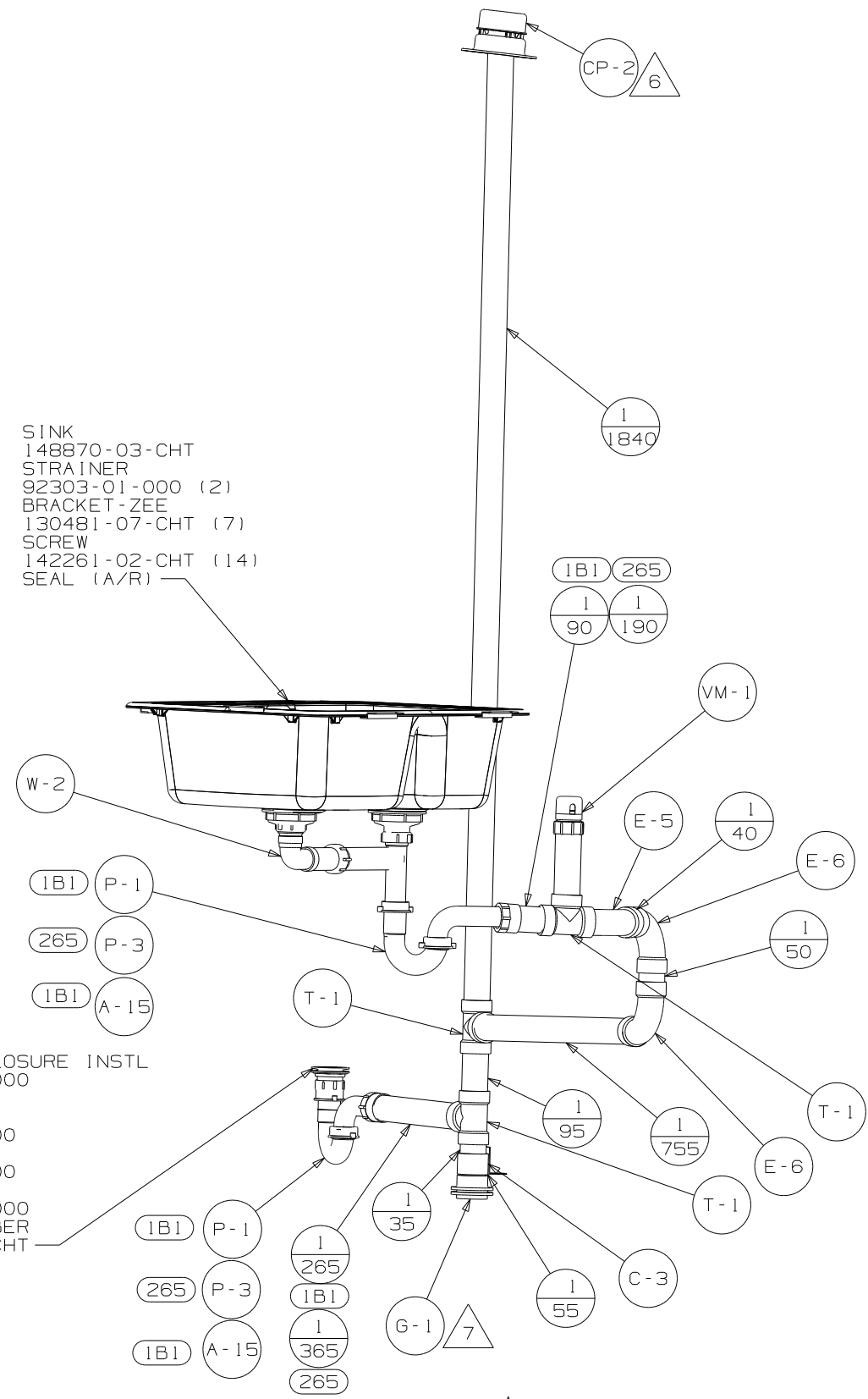
- 9 SEE WIRING INST-BODY, 12V FOR ELECTRICAL CONNECTION.
- 8 SECURE PIPES TO CABINET USING WIRE TIE 108046-02-000, AND SCREW G67-10-12B.
- 7 SECURE VENT TUBES TO FLOOR WITH CLAMP 62401-02-000 (2), SCREW G67-10-12B (2), BRACKET 136878-01-CHT (2).
- 6 VENT PIPE MUST PROJECT 51 MIN AND 64 MAX ABOVE ROOF FOR PROPER FIT AND FUNCTION.
- 5. SEAL AROUND SHOWER WITH SILICONE.
- 4. ALL EXTERIOR OPENINGS AROUND PIPE TO BE SEALED WITH 131264-03-000.
- 3. ALL PIPE AND FITTINGS TO BE ASSEMBLED WITH SOLVENT 4020-01-000 (USA), 4020-02-000 (CAN)
- 2. SLOPE OF TRAP ARM MUST BE 6 PER 305 mm.
- 1. SLOPE OF HORIZONTAL PIPING TO BE MIN 3 PER 305 mm.

NOTES:

(X-X)
FOR DRAINAGE CALLOUTS SEE DWG NO 116229-01-000

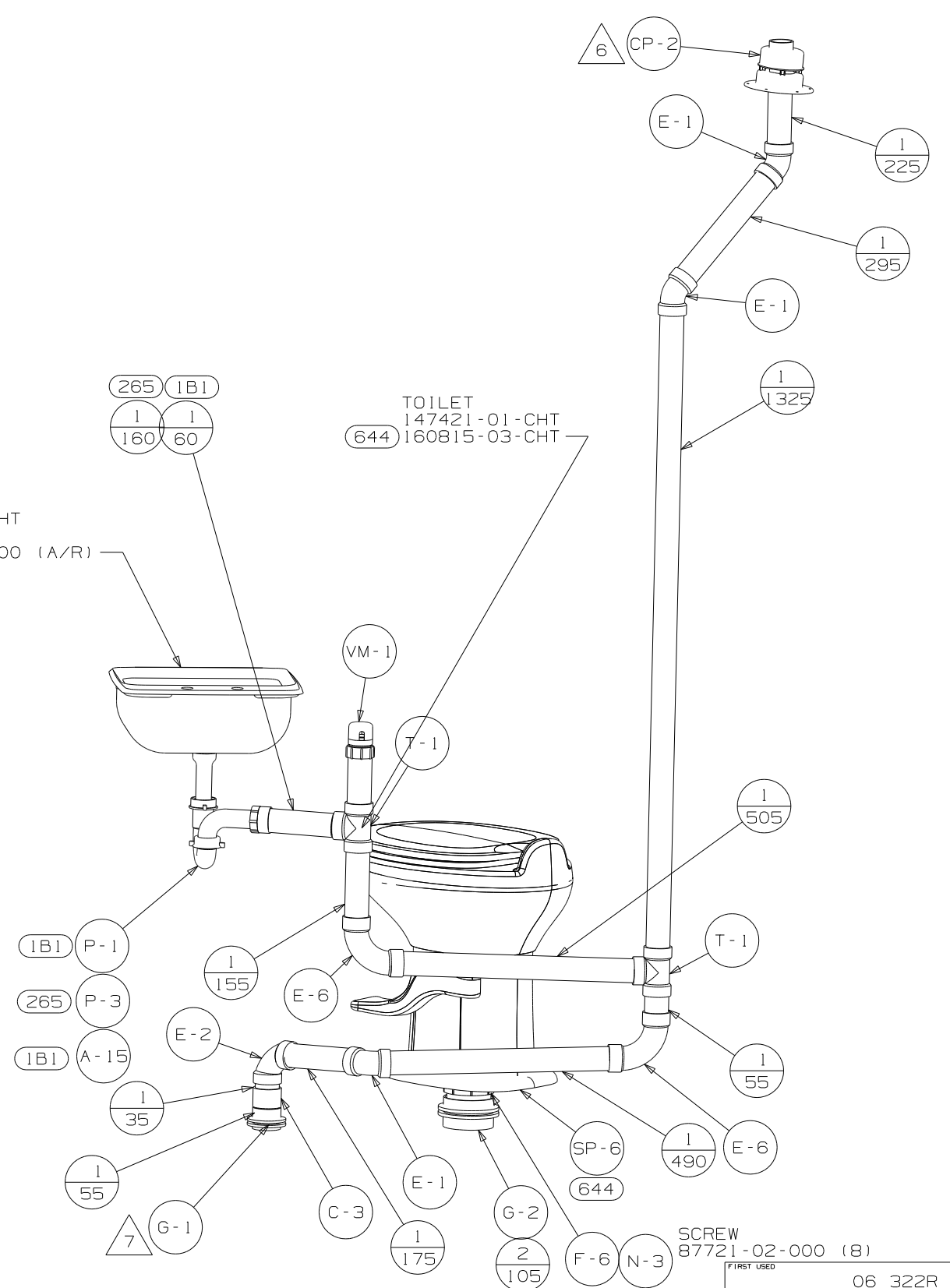
WINNEBAGO		COPYRIGHT 2007 WINNEBAGO INDUSTRIES, INC.	
DFT	ORIG. DATE	ALL DIMENSIONS ARE IN MILLIMETERS	
CHKR		FIRST USED	
P.E.		06 322R	
M.E.		UNSPECIFIED TOLERANCES ARE:	
DSNR		MATERIAL:	
		WHOLE DIM (X) :	7
		ONE-PLACE (X.X) :	
		TWO-PLACE (X.XX) :	
		ANGLE :	
		THIRD ANGLE PROJECTION	
DO NOT SCALE DRAWING			
TITLE: DRAINAGE SYSTEM INSTL			
SHEET 1 OF 3	PART NO	152083	REV
REF:	1 2/7/2007		

SINK
 148870-03-CHT
 STRAINER
 92303-01-000 (2)
 BRACKET-ZEE
 130481-07-CHT (7)
 SCREW
 142261-02-CHT (14)
 SEAL (A/R)



VIEW A

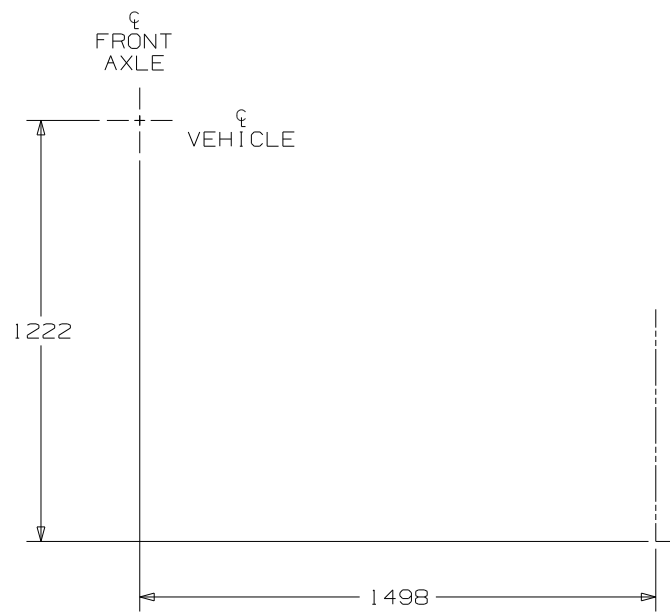
SINK
 96927-01-CHT
 SEAL
 91255-02-000 (A/R)



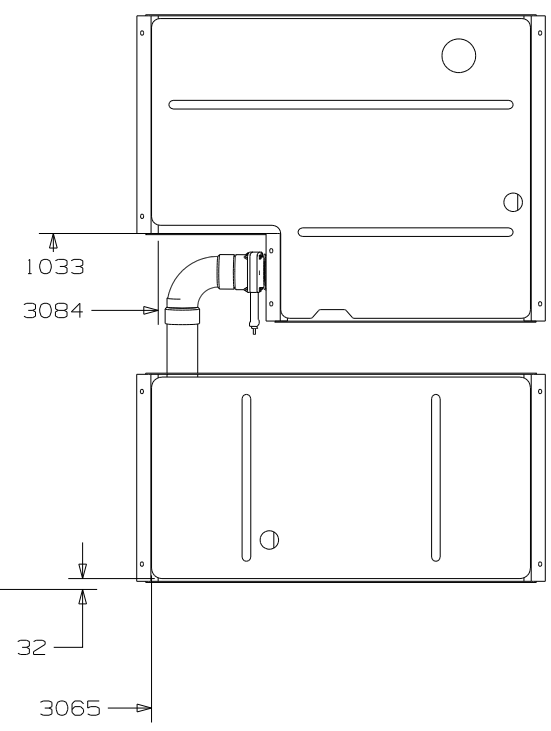
VIEW B

SCREW
 87721-02-000 (8)

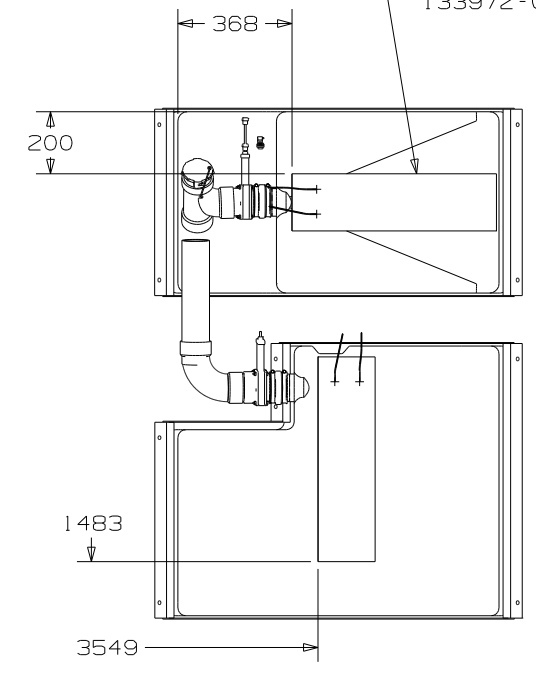
FIRST USED	06 322R	
TITLE	DO NOT SCALE DRAWING	
	DRAINAGE SYSTEM INSTL	
SHEET 2	PART NO	152083
	REV	



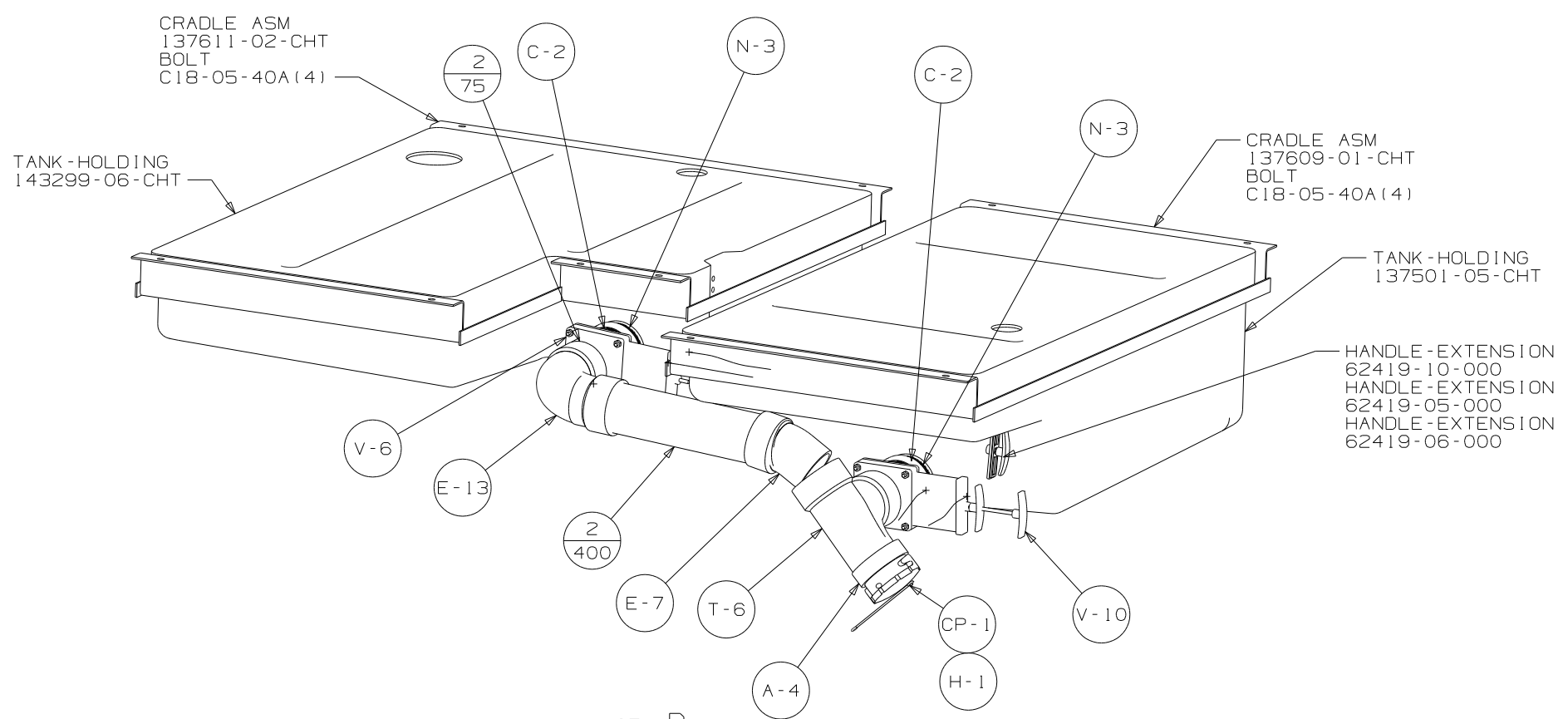
VIEW C



PAD-HEATER
133972-01-000 (2) (23T)

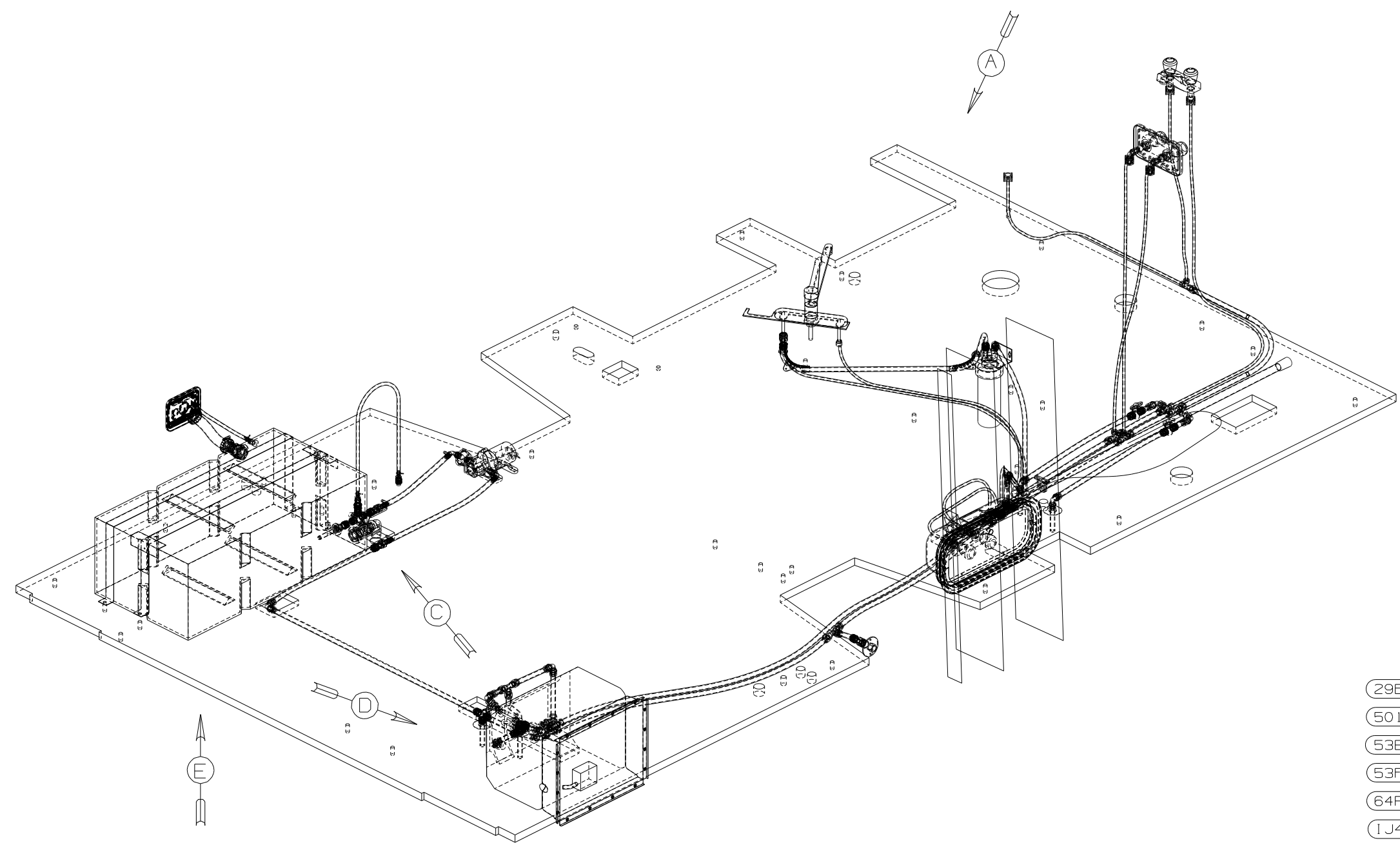


VIEW E



VIEW D

FIRST USED	06 322R	
TITLE	DO NOT SCALE DRAWING	
TITLE	DRAINAGE SYSTEM INSTL	
SHEET 3	PART NO	152083
	REV	



- (29B) WATER PURIFIER
- (501) WATER PURIFIER W/O
- (53E) WTR SYS WINTERIZING PKG
- (53F) WATER HEATER-ELEC. IGN.
- (64R) EXT WASH STATION
- (1J4) EXT WASH STATION-WITHOUT

- NOTES:
- 7 ADD ANTI-RATTLE CLAMP 10495-01-000.
 - 6 ADD TEFLON TAPE 10405-02-000.
 - 5 ADD TEFLON TAPE 10405-02-000.
 - 4 FLUSHING SYSTEM REQUIRES 125697-06-000 INSTRUCTION SHEET.
 - 3. ALL TUBING TO BE SECURED AT 1200 INTERVALS MAXIMUM WITH CLAMP 10495-01-000 OR CLIP 9151-01-000 AND SCREW G67-10-12B.
 - 2. TUBING TO BE INSTALLED WITH SUFFICIENT SLOPE TO PROVIDE DRAINAGE TO NEAREST VALVE.
 - 1. PLASTIC FITTINGS TO BE SEALED WITH SEALANT 84456-01-000.

WINNEBAGO		COPYRIGHT 2006 WINNEBAGO INDUSTRIES, INC.	
DFTR	ORIG. DATE	ALL DIMENSIONS ARE IN MILLIMETERS	
CHKR		FIRST USED	
P.E.		06 322R	
M.E.		UNSPECIFIED TOLERANCES ARE:	
DSNR		MATERIAL:	
		WHOLE DIM (X)	: 7
		ONE-PLACE (X.X)	:
		TWO-PLACE (X.XX)	:
		ANGLE	:
THIRD ANGLE PROJECTION		DO NOT SCALE DRAWING	
TITLE: WATER SYSTEM INSTL			
SHEET 1 OF 3	PART NO	152082	REV
REF:	1 6/12/2006		

(X-X)
FOR
WATER
CALLOUTS
SEE DWG NO
116230-01-000

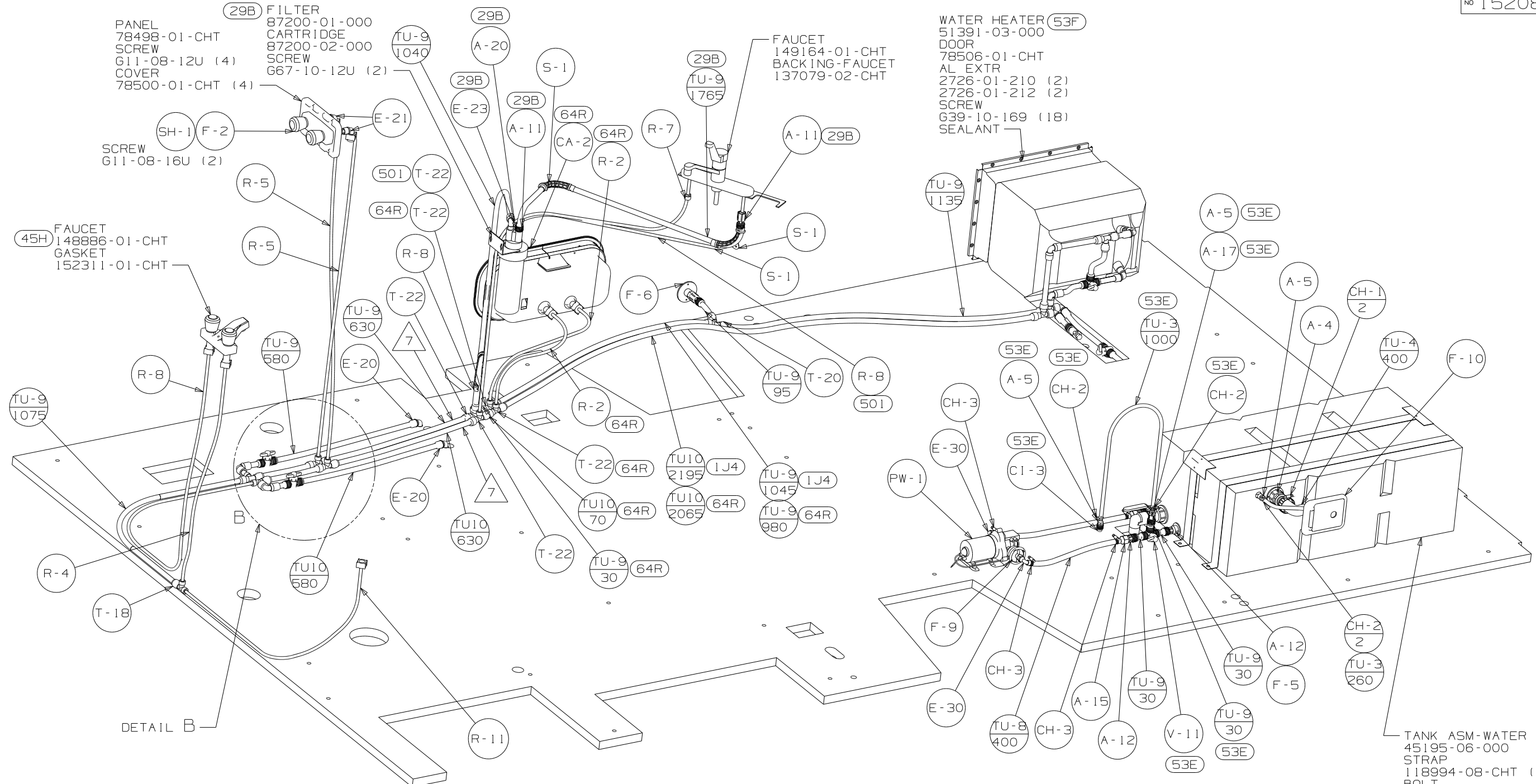
(29B) FILTER
 87200-01-000
 CARTRIDGE
 87200-02-000
 SCREW
 G11-08-12U (4)
 COVER
 78500-01-CHT (4)

WATER HEATER (53F)
 51391-03-000
 DOOR
 78506-01-CHT
 AL EXTR
 2726-01-210 (2)
 2726-01-212 (2)
 SCREW
 G39-10-169 (18)
 SEALANT

SCREW
 G11-08-16U (2)

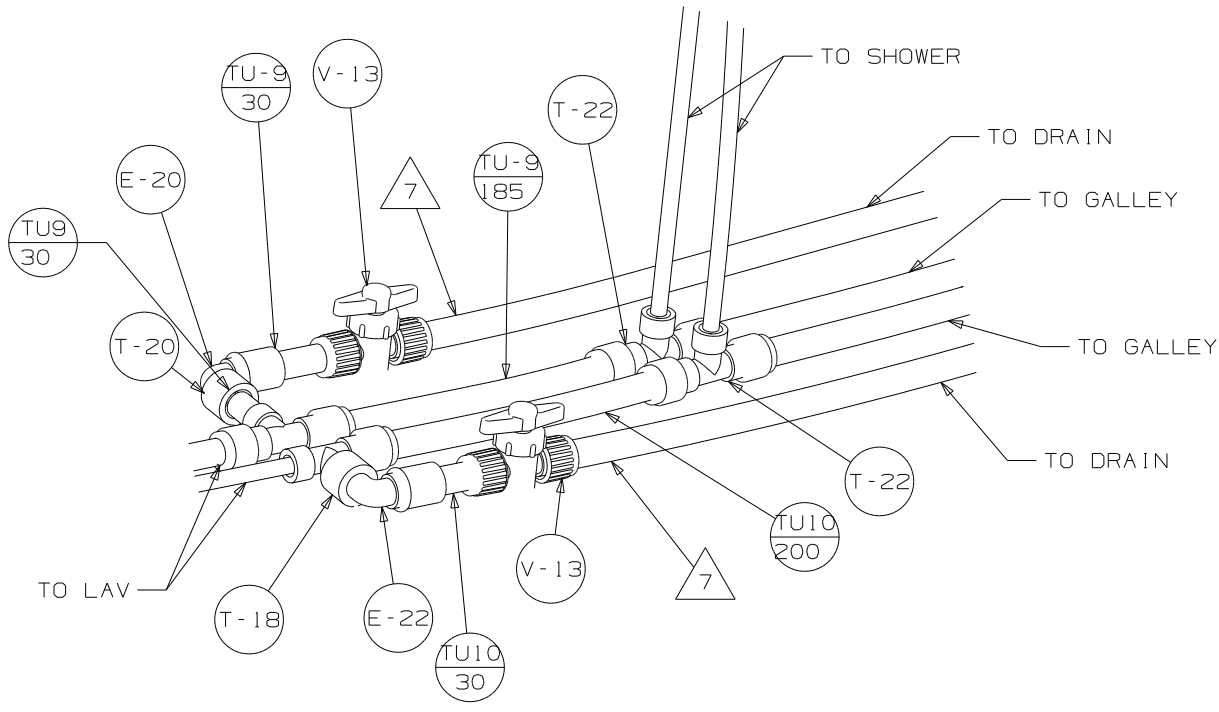
(45H) FAUCET
 148886-01-CHT
 GASKET
 152311-01-CHT

TANK ASM-WATER
 45195-06-000
 STRAP
 118994-08-CHT (2)
 BOLT
 C18-05-40A (4)
 NUT
 D39-05-00B (4)

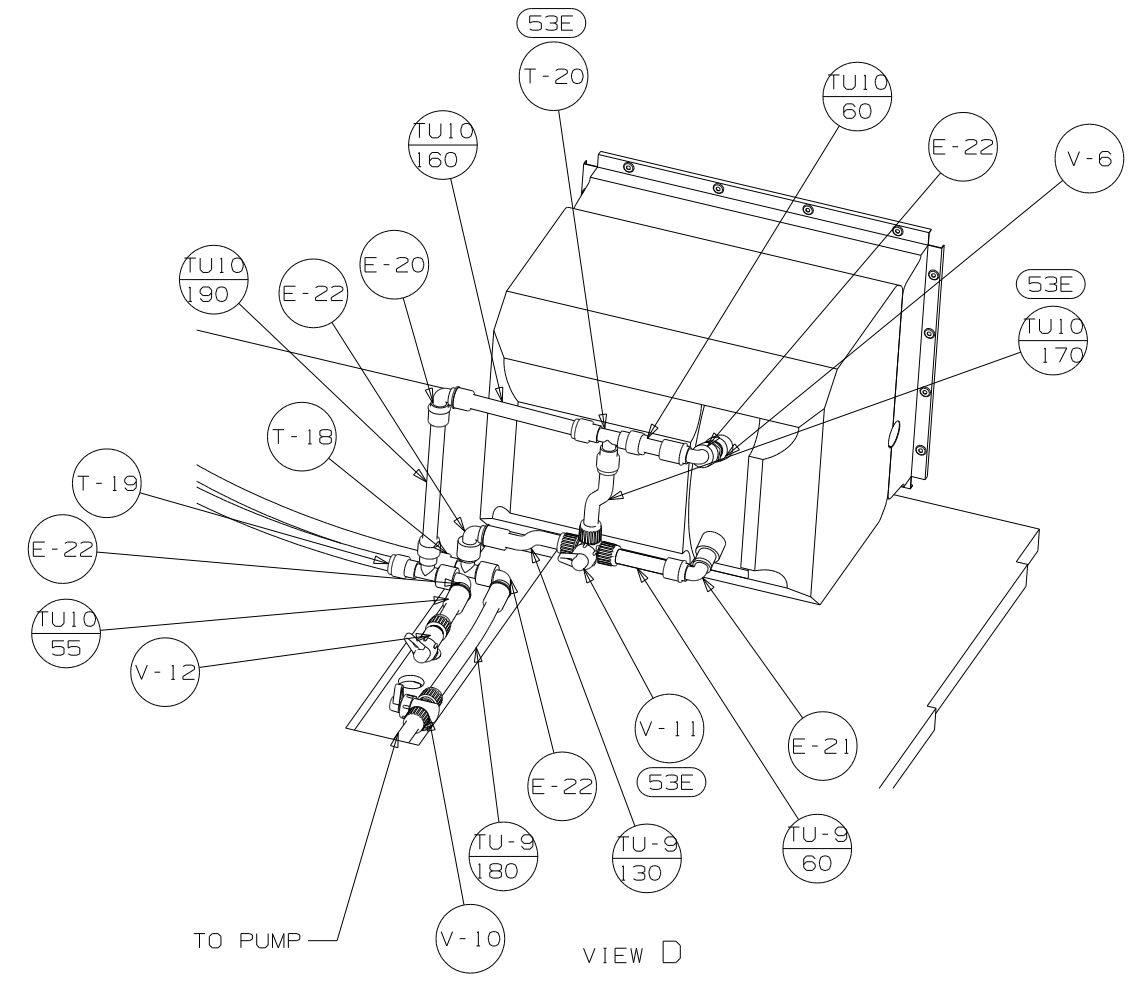


VIEW A

FIRST USED	06 322R
TITLE	DO NOT SCALE DRAWING
TITLE	WATER SYSTEM INSTL
SHEET 2	PART NO 152082 REV



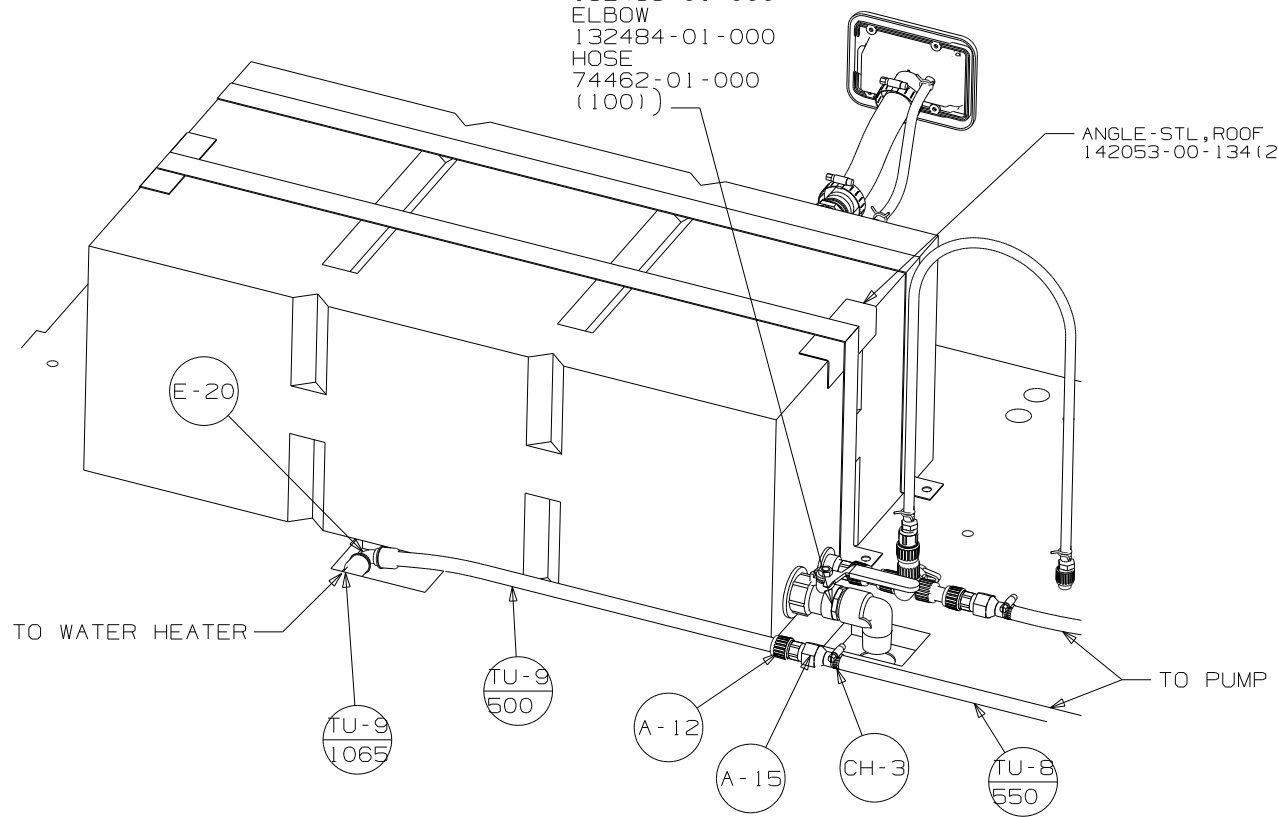
DETAIL B



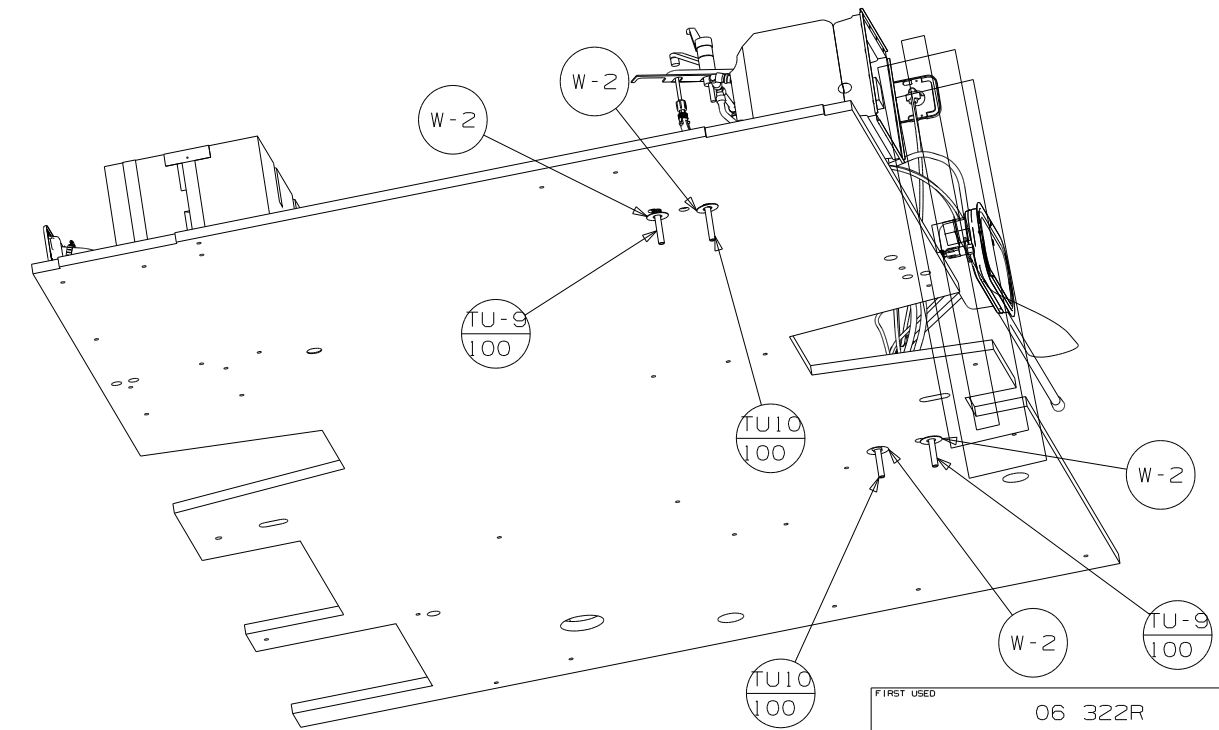
VIEW D

- VALVE 132483-01-000
- ELBOW 132484-01-000
- HOSE 74462-01-000 (100)

ANGLE-STL, ROOF JOINT 142053-00-134 (2)



VIEW C



VIEW E

FIRST USED	06 322R
TITLE	DO NOT SCALE DRAWING
TITLE	WATER SYSTEM INSTL
SHEET 3	PART NO 152082 REV