



DANGER

Danger of electrical shock, burns or death. Always remove all power sources before attempting any repair, service or diagnostic work. Power can be present from shore power, generator, inverter or battery. All power sources must be disabled and secured before performing any service.

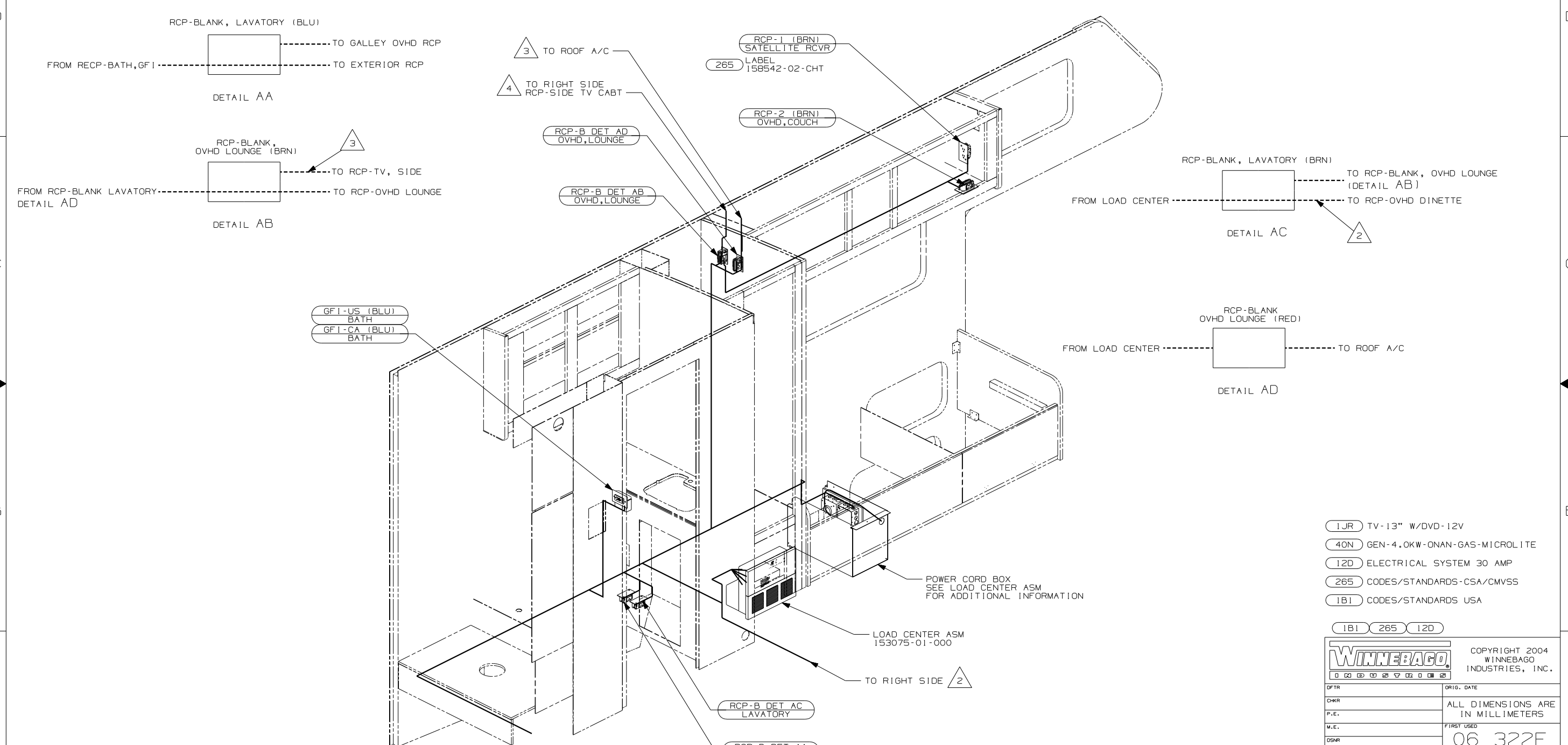


CAUTION

If you lack the skills, tools or equipment to perform diagnostic or repair work leave such work to an authorized Winnebago Industries dealer or other qualified shop.

DRAWING NO.	FEATURE
153580-01	-----
153580-11	(1B1) (12D)
153580-15	(265) (12D)

RELEASE	REV DATE A	DWG NO 153580
REV ZONE	REVISION RECORD	DATE DFR-016



- 4 NOT USED WITH (1JR) .
- 3 WIRE ROUTED IN ROOF.
- 2 ROUTE WIRE THRU FLOOR.

1. ALL WIRES TO BE SECURED WITH CLAMP 10495-01-000 OR CLIP 80734-01-000 EVERY 600MM. USE SCREW 667-10-12B UNLESS OTHERWISE SPECIFIED.

NOTES:

- (1JR) TV-13" W/DVD-12V
- (40N) GEN-4.0KW-ONAN-GAS-MICROLITE
- (12D) ELECTRICAL SYSTEM 30 AMP
- (265) CODES/STANDARDS-CSA/CMVSS
- (1B1) CODES/STANDARDS USA

(1B1) (265) (12D)

WINNEBAGO COPYRIGHT 2004 WINNEBAGO INDUSTRIES, INC.

DFTR	ORIG. DATE
CHKR	ALL DIMENSIONS ARE IN MILLIMETERS
P.E.	
M.E.	FIRST USED
DSNR	06 322E

UNSPECIFIED TOLERANCES ARE: MATERIAL:

WHOLE DIM (X) : 1

ONE-PLACE (X.X) : 1

TWO-PLACE (X.XX) : 1

ANGLE : 1

THIRD ANGLE PROJECTION

DO NOT SCALE DRAWING

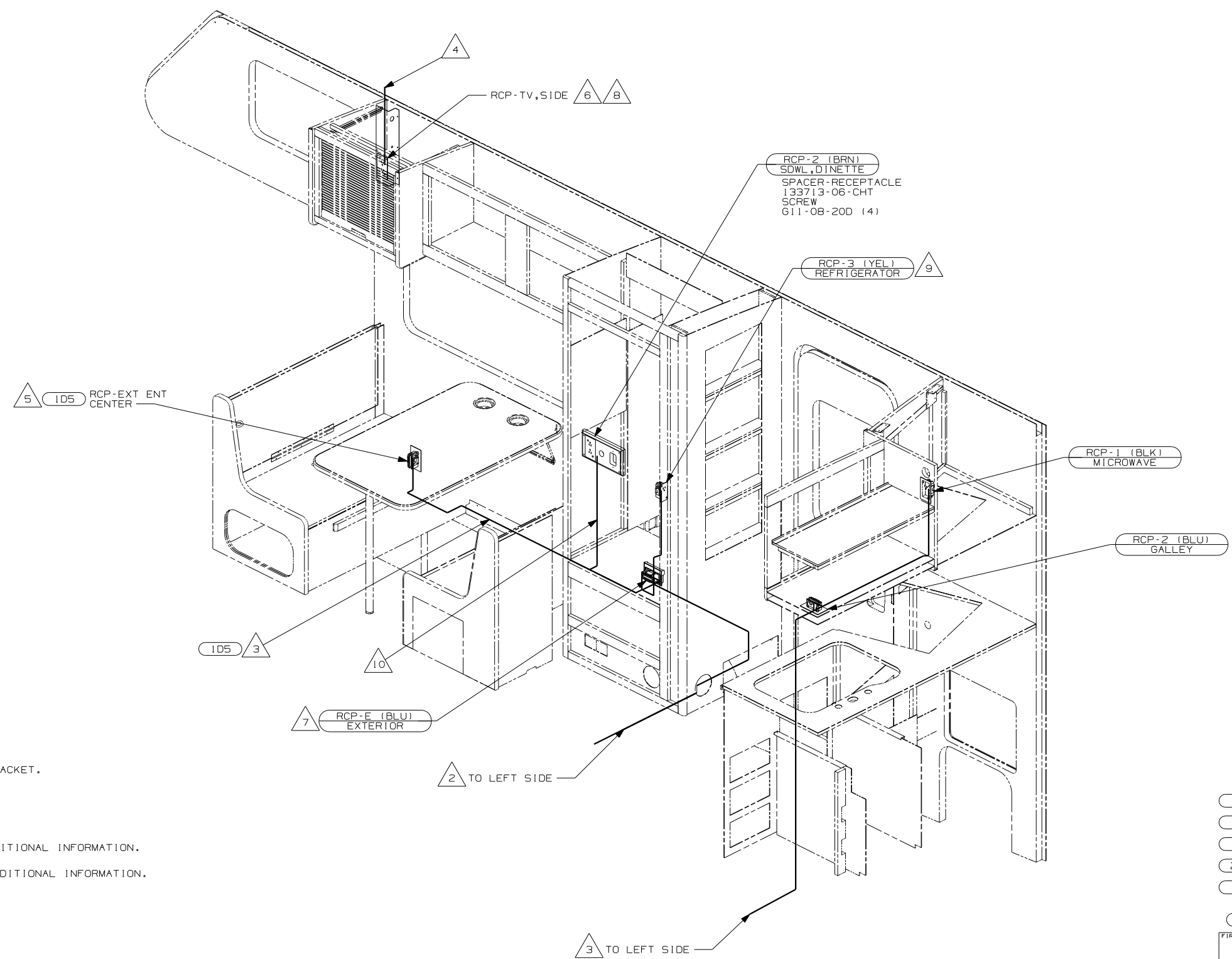
TITLE: WIRING INSTL-BODY, 110V

SHEET 1 OF 2 PART NO 153580

REF: 1 11/8/2005

FOR ELECTRICAL TORQUE SPECIFICATIONS SEE DWG NO. 128783-01-000

(X-X) FOR ELECTRICAL CALLOUTS SEE DWG NO. 121339-01-000



- △ 10 ROUTE WIRE THRU SIDEWALL.
- △ 9 LOCATE RCP ON REFRIGERATOR TIEDOWN BRACKET.
- △ 8 NOT USED WITH 1JR
- △ 7 NOT USED WITH ID5
- △ 6 SEE WIRING INSTL-TV/VCR, SIDE FOR ADDITIONAL INFORMATION.
- △ 5 SEE ENTERTAINMENT CENTER-COMPL FOR ADDITIONAL INFORMATION.
- △ 4 WIRE ROUTED IN ROOF.
- △ 3 ROUTE WIRE ALONG FLOOR.
- △ 2 ROUTE WIRE THRU FLOOR.

NOTES:
 1. ALL WIRES TO BE SECURED WITH CLAMP 10495-01-000 OR CLIP 80734-01-000 EVERY 600MM. USE SCREW 667-10-12B UNLESS OTHERWISE SPECIFIED.

- 1JR TV-13" W/DVD-12V
- ID5 ENTERTAINMENT CENTR/EXT W/CD
- I2D ELECTRICAL SYSTEM 30 AMP
- 265 CODES/STANDARDS-CSA/CMVSS
- 1B1 CODES/STANDARDS USA

FIRST USED	
06 322E	
DO NOT SCALE DRAWING	
TITLE:	
WIRING INSTL-BODY, 110V	
SHEET 2	PART NO
	153580

FOR ELECTRICAL TORQUE SPECIFICATIONS SEE DWG NO. 128783-01-000

FOR ELECTRICAL CALLOUTS SEE DWG NO. 121339-01-000