

- 9. SECURE VENT TUBES TO FLOOR WITH CLAMP 62401-02-000(2), SCREW G67-10-12B(2) AND BRACKET 136878-01-CHT(2).
- 8. SEE WIRING INSTRL-BODY, 12V FOR ELECTRICAL CONNECTION.
- 7. SECURE PIPES TO CABINET USING WIRE TIE 108046-02-000 AND SCREW G67-10-12B.
- 6. VENT PIPE MUST PROECT 51 MIN AND 64 MAX ABOVE ROOF FOR PROPER FIT AND FUNCTION.
- 5. SEAL AROUND SHOWER WITH SILICONE.
- 4. ALL EXTERIOR OPENINGS AROUND PIPE TO BE SEALED WITH 110744-01-000.
- 3. ALL PIPE AND FITTINGS TO BE ASSEMBLED WITH SOLVENT 4020-01-000 (US), 4020-02-000 (CAN).
- 2. SLOPE OF TRAP ARM MUST BE 6 PER 305 mm.
- 1. SLOPE OF HORIZONTAL PIPING TO BE MIN 3 PER 305 mm.

NOTES:

- (1B1) CODES/STANDARDS-USA
- (265) CODES/STDS-CSA/CMVSS
- (43F) SHOWER SURROUND
- (23T) DRAINAGE SYSTEM-HEATED

WINNEBAGO		COPYRIGHT 2006 WINNEBAGO INDUSTRIES, INC.	
DFTR	ORIG. DATE	ALL DIMENSIONS ARE IN MILLIMETERS	
CHKR		FIRST USED	
P.E.		06 322E	
M.E.		UNSPECIFIED TOLERANCES ARE:	
DSNR		MATERIAL:	
		WHOLE DIM (X) :	3
		ONE-PLACE (X.X) :	
		TWO-PLACE (X.XX) :	
		ANGLE :	
THIRD ANGLE PROJECTION		DO NOT SCALE DRAWING	
TITLE: DRAINAGE SYSTEM INSTL			
SHEET 1 OF 3	PART NO	153272	REV

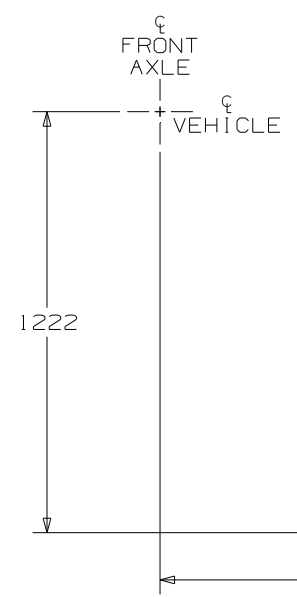
FOR
DRAINAGE
CALLOUTS
SEE DWG NO
116229-01-000

8 7 6 5 4 3 2

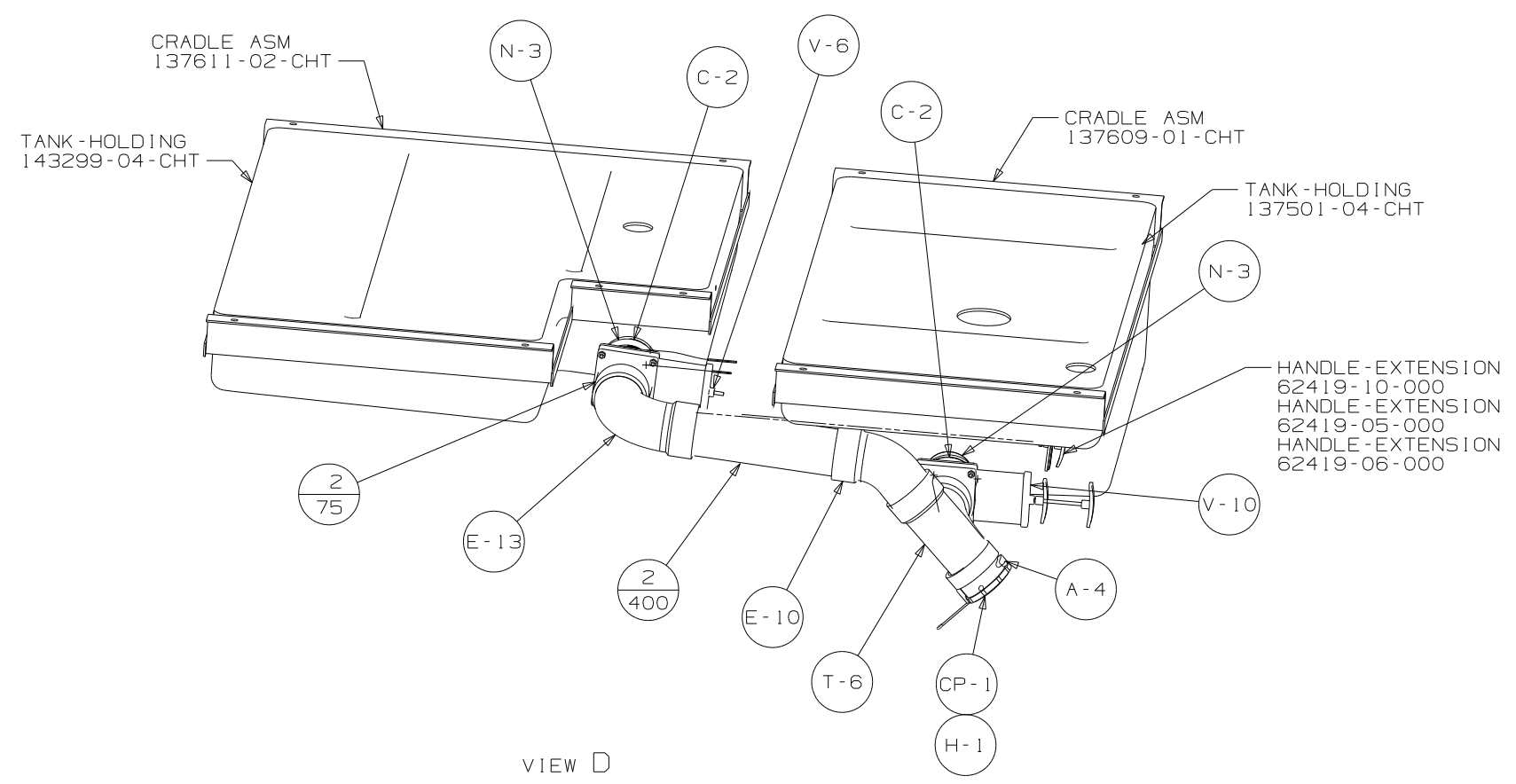
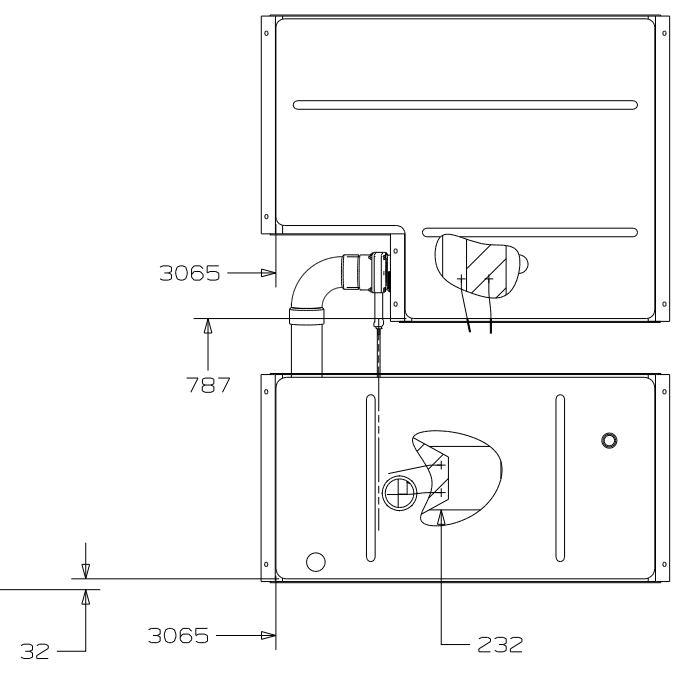
8 7 6 5 4 3 2

D
C
B
A

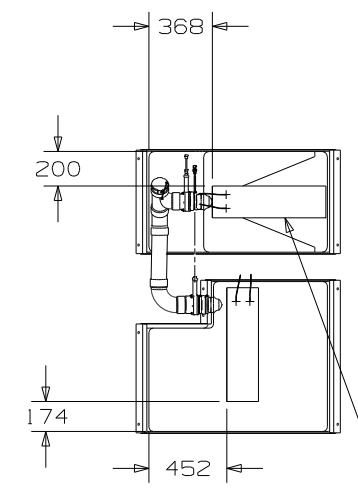
D
C
B
A



VIEW C



VIEW D



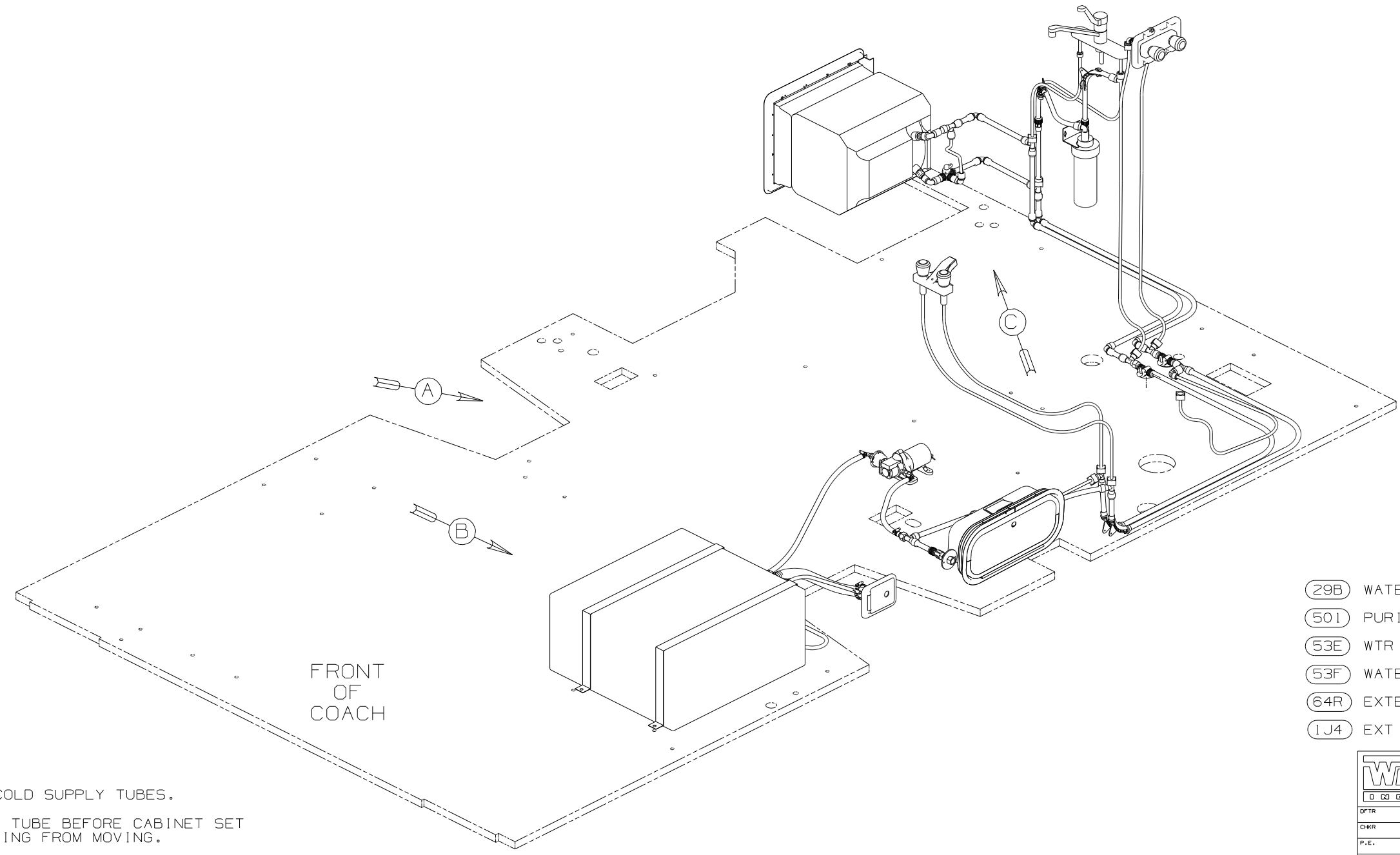
VIEW E

PAD-HEATER (23T)
133972-01-000 (2)



FIRST USED	06 322E		
TITLE	DO NOT SCALE DRAWING		
	DRAINAGE SYSTEM INSTL		
SHEET 3	PART NO	153272	REV

8 7 6 5 4 3 2



FRONT OF COACH

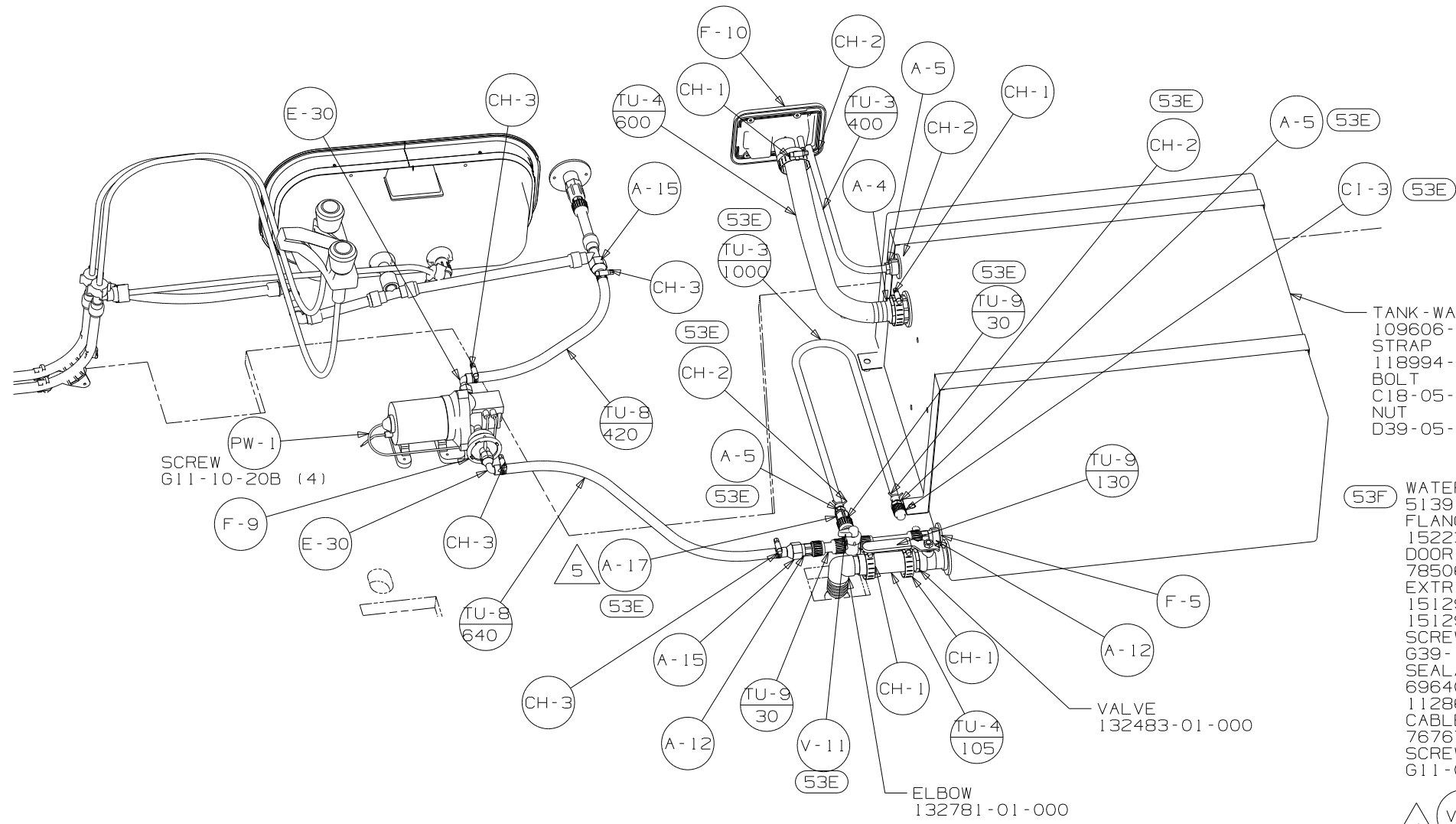
- (29B) WATER PURIFIER
- (50I) PURIFIER WITHOUT
- (53E) WTR SYS WNTRZNG PKG
- (53F) WATER HEATER-ELEC IGNITION
- (64R) EXTERIOR WASH STATION
- (1J4) EXT WASH STATION-WITHOUT

- NOTES:
- 7 LABEL HOT AND COLD SUPPLY TUBES.
 - 6 TAPE FITTING TO TUBE BEFORE CABINET SET TO PREVENT FITTING FROM MOVING.
 - 5 ADD TEFLON TAPE 10405-01-000.
 - 4 ADD TEFLON TAPE 10405-02-000.
3. ALL TUBING TO BE SECURED AT 1200 INTERVALS MAXIMUM WITH CLAMP 10495-01-000 OR CLIP 9151-01-000 AND SCREW 667-10-12B.
 2. TUBING TO BE INSTALLED WITH SUFFICIENT SLOPE TO PROVIDE DRAINAGE TO NEAREST VALVE.
 1. PLASTIC FITTINGS TO BE SEALED WITH SEALANT 84456-01-000.

(X-X)
FOR WATER CALLOUTS SEE DWG NO 116230-01-000

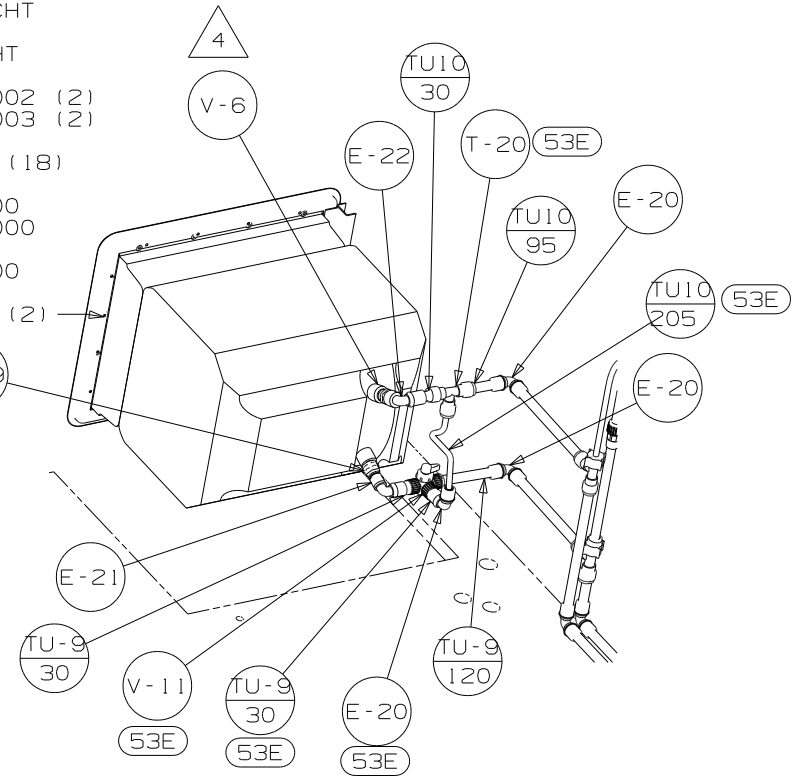
WINNEBAGO		COPYRIGHT 2006 WINNEBAGO INDUSTRIES, INC.	
DFTR	ORIG. DATE	ALL DIMENSIONS ARE IN MILLIMETERS	
CHKR		FIRST USED	
P.E.		06 322E	
M.E.		UNSPECIFIED TOLERANCES ARE:	
DSNR		MATERIAL:	
		WHOLE DIM (X) :	3
		ONE-PLACE (X.X) :	
		TWO-PLACE (X.XX) :	
		ANGLE :	
THIRD ANGLE PROJECTION		DO NOT SCALE DRAWING	
TITLE: WATER SYSTEM INSTL			
SHEET 1 OF 3	PART NO	REV	
	153271		

8 7 6 5 4 3 2



- TANK-WATER 109606-07-000
- STRAP 118994-07-CHT (2)
- BOLT C18-05-40A (4)
- NUT D39-05-00B (4)

- 53F WATER HEATER 51391-03-000
- FLANGE-WATER HEATER 152239-01-CHT
- DOOR 78506-01-CHT
- EXTR 151293-51-002 (2)
- 151293-51-003 (2)
- SCREW G39-10-169 (18)
- SEALANT 69640-14-000
- 112867-01-000
- CABLE 76767-03-000
- SCREW G11-06-08B (2)



VIEW B

VIEW C

FIRST USED	06 322E		
TITLE	DO NOT SCALE DRAWING		
	WATER SYSTEM INSTL		
SHEET 3	PART NO	153271	REV