



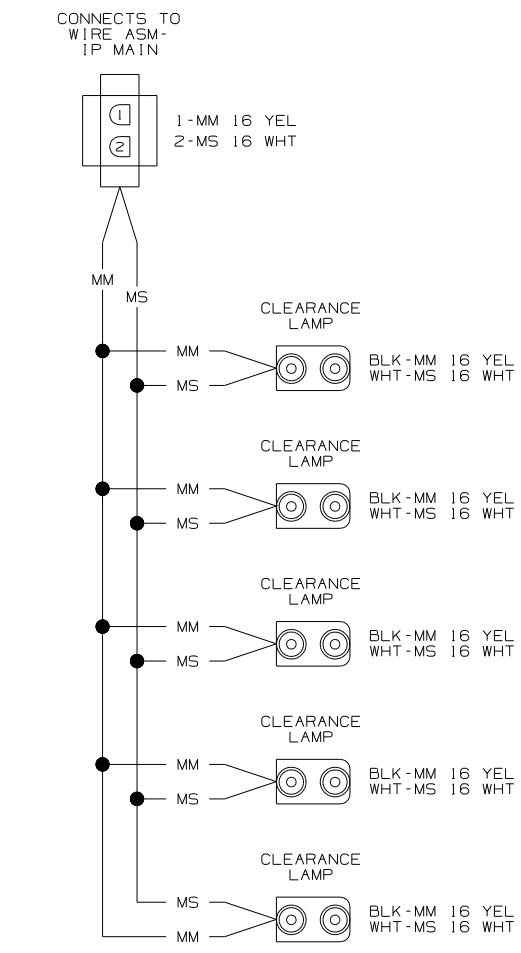
DANGER

Danger of electrical shock, burns or death. Always remove all power sources before attempting any repair, service or diagnostic work. Power can be present from shore power, generator, inverter or battery. All power sources must be disabled and secured before performing any service.

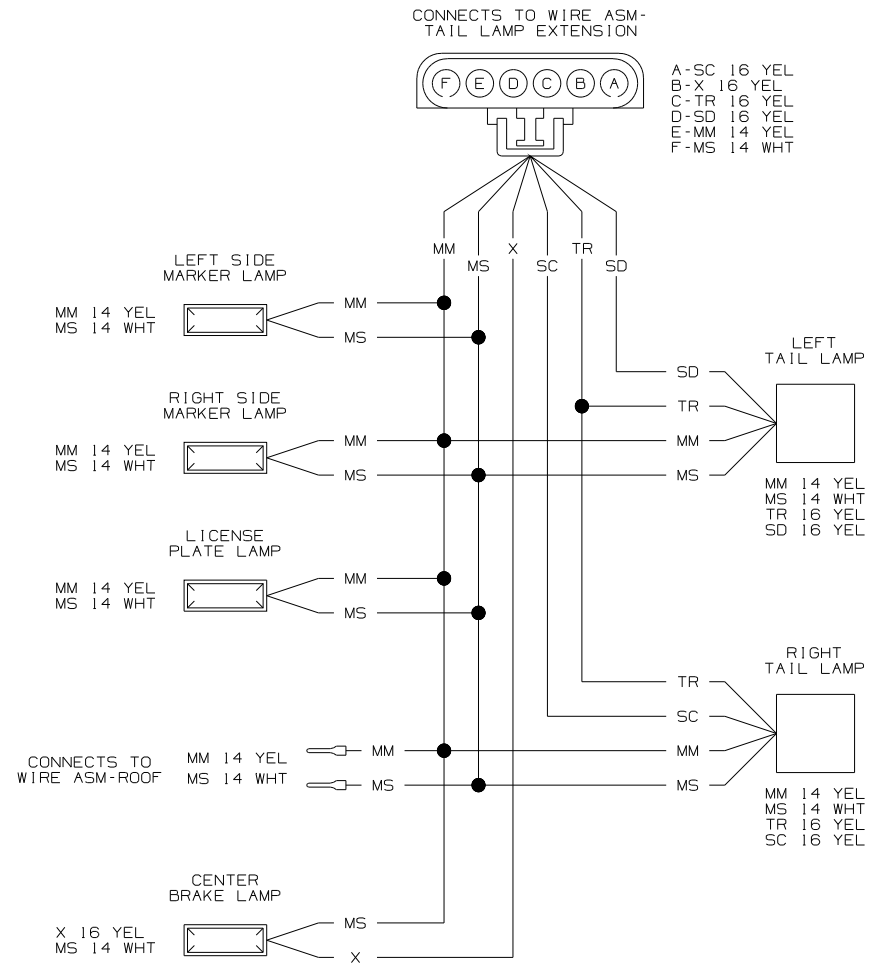


CAUTION

If you lack the skills, tools or equipment to perform diagnostic or repair work leave such work to an authorized Winnebago Industries dealer or other qualified shop.



WIRING DIAGRAM-CLEARANCE LAMPS
(126486-04 REV-F)



WIRING DIAGRAM-BACKWALL

- (WIRE ASM 141655 REV-G) 327C, 329B, 329K, 331C/T, 332G
- (WIRE ASM 148780 REV-B) 326A
- (WIRE ASM 151045 REV-B) 332E, 322R, 324V
- (WIRE ASM 154849 REV-A) 325F

| | | | |
|-------------------------------------|-------------|---|---|
| WINNEBAGO | | COPYRIGHT 2004 WINNEBAGO INDUSTRIES, INC. | |
| DFT | ORIG. DATE | ALL DIMENSIONS ARE IN MILLIMETERS | |
| CHKR | | FIRST USED | |
| P.E. | | 06 300 SER | |
| M.E. | | UNSPECIFIED TOLERANCES ARE: | |
| DSNR | | MATERIAL: | |
| | | WHOLE DIM (X) | : |
| | | ONE-PLACE (X.X) | : |
| | | TWO-PLACE (X.XX) | : |
| | | ANGLE | : |
| | | THIRD ANGLE PROJECTION | ⊕ |
| DO NOT SCALE DRAWING | | | |
| TITLE: WIRING DIAGRAM-AUTO LAMPS | | | |
| SHEET 1 OF 1 | PART NO | 152121 | |
| REF: | 1 5/18/2005 | | |