



DANGER

Danger of electrical shock, burns or death. Always remove all power sources before attempting any repair, service or diagnostic work. Power can be present from shore power, generator, inverter or battery. All power sources must be disabled and secured before performing any service.

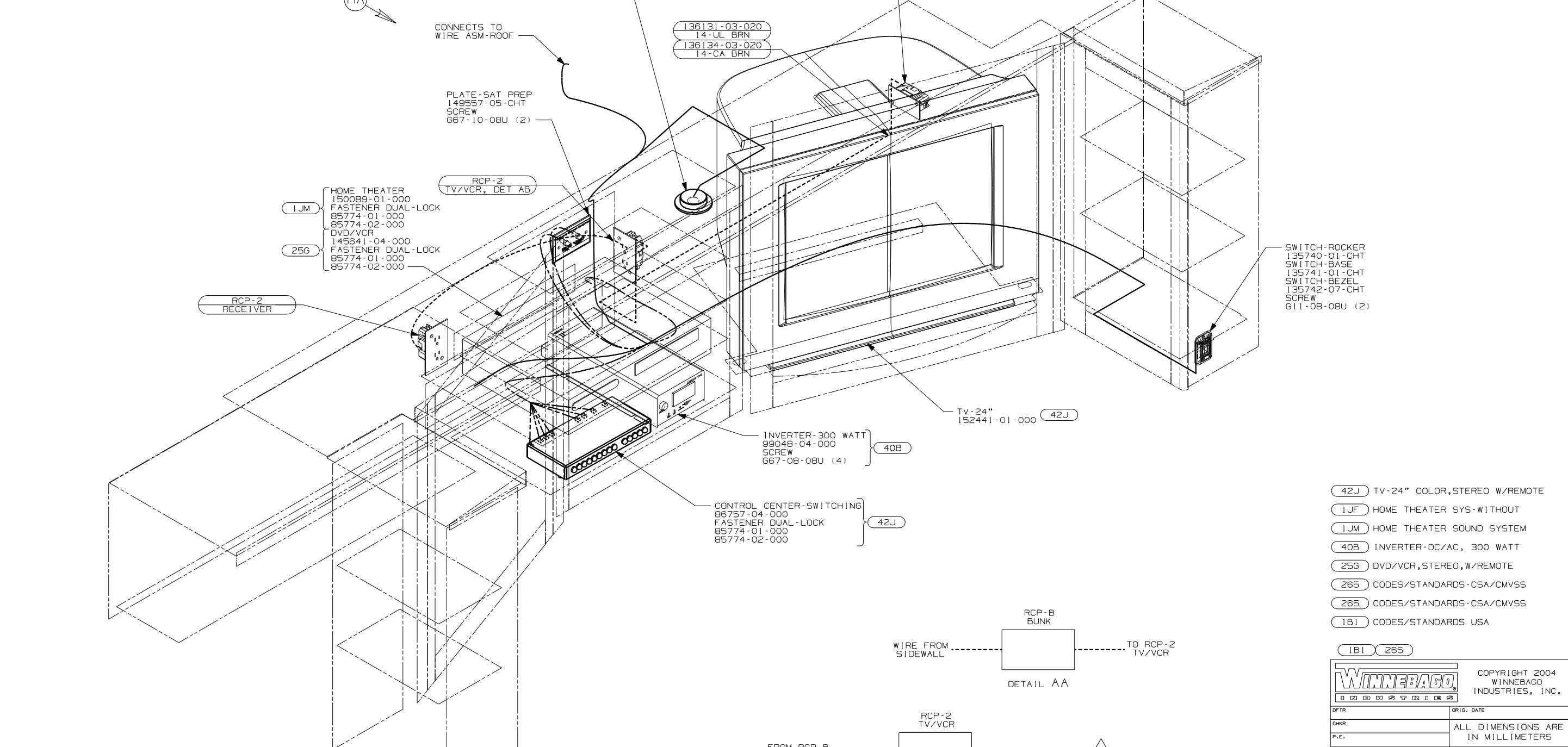


CAUTION

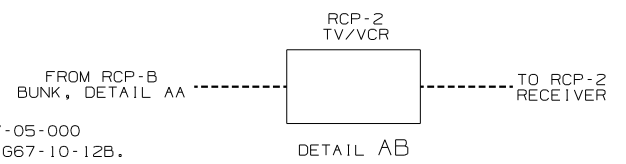
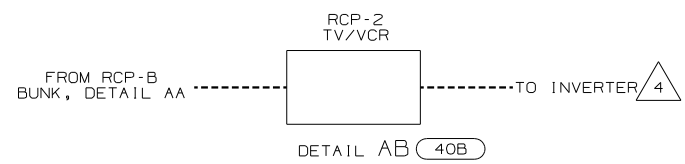
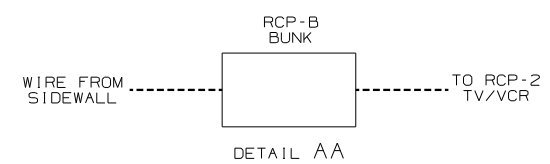
If you lack the skills, tools or equipment to perform diagnostic or repair work leave such work to an authorized Winnebago Industries dealer or other qualified shop.

DRAWING NO.	MODEL	SHT
148527-01	300 SER	1,8,9
148527-02	400 SER	2,3,4,5
148527-03	700 SER	6,7

RELEASE	REV/DATE	DWG NO
A		148527
REV ZONE	REVISION RECORD	DATE
		DFT-0816



- (42J) TV-24" COLOR, STEREO W/REMOTE
- (1JM) HOME THEATER SYS-WITHOUT
- (1JM) HOME THEATER SOUND SYSTEM
- (40B) INVERTER-DC/AC, 300 WATT
- (25G) DVD/VCR, STEREO, W/REMOTE
- (265) CODES/STANDARDS-CSA/CMVSS
- (265) CODES/STANDARDS-CSA/CMVSS
- (1B1) CODES/STANDARDS USA
- (1B1) (265)



300 SERIES

(X-X) FOR ELECTRICAL CALLOUTS SEE DWG NO. 121339-01-000

5. ALL WIRES TO BE SECURED WITH CLAMP 10495-01-000 OR CLIP 80734-01-000 EVERY 600mm. USE SCREW G67-10-12B UNLESS OTHERWISE SPECIFIED. CONNECT INVERTER TO RCP-2 TV/VCR WITH FEATURE (40B).
3. SEE SHT 8 FOR COAX DETAILS.
2. SEE SHT 8 FOR 110V AND 12V DETAILS.
1. SEE WIRING INSTL-BODY, 12V & 110V FOR ADDITIONAL INFORMATION.
- NOTES:

6. 110V WIRE TO BE CLAMPED WITH CLAMP 10497-05-000 WITHIN 200mm OF OUTLET BOXES. USE SCREW G67-10-12B.

WINNEBAGO COPYRIGHT 2004 WINNEBAGO INDUSTRIES, INC.

DFT	ORIG. DATE
CHKR	ALL DIMENSIONS ARE IN MILLIMETERS
P.E.	
M.E.	FIRST USED
DSNR	300/400/700 SER

UNSPECIFIED TOLERANCES ARE: MATERIAL:

WHOLE DIM (X) :
ONE-PLACE (X.X) :
TWO-PLACE (X.XX) :
ANGLE :

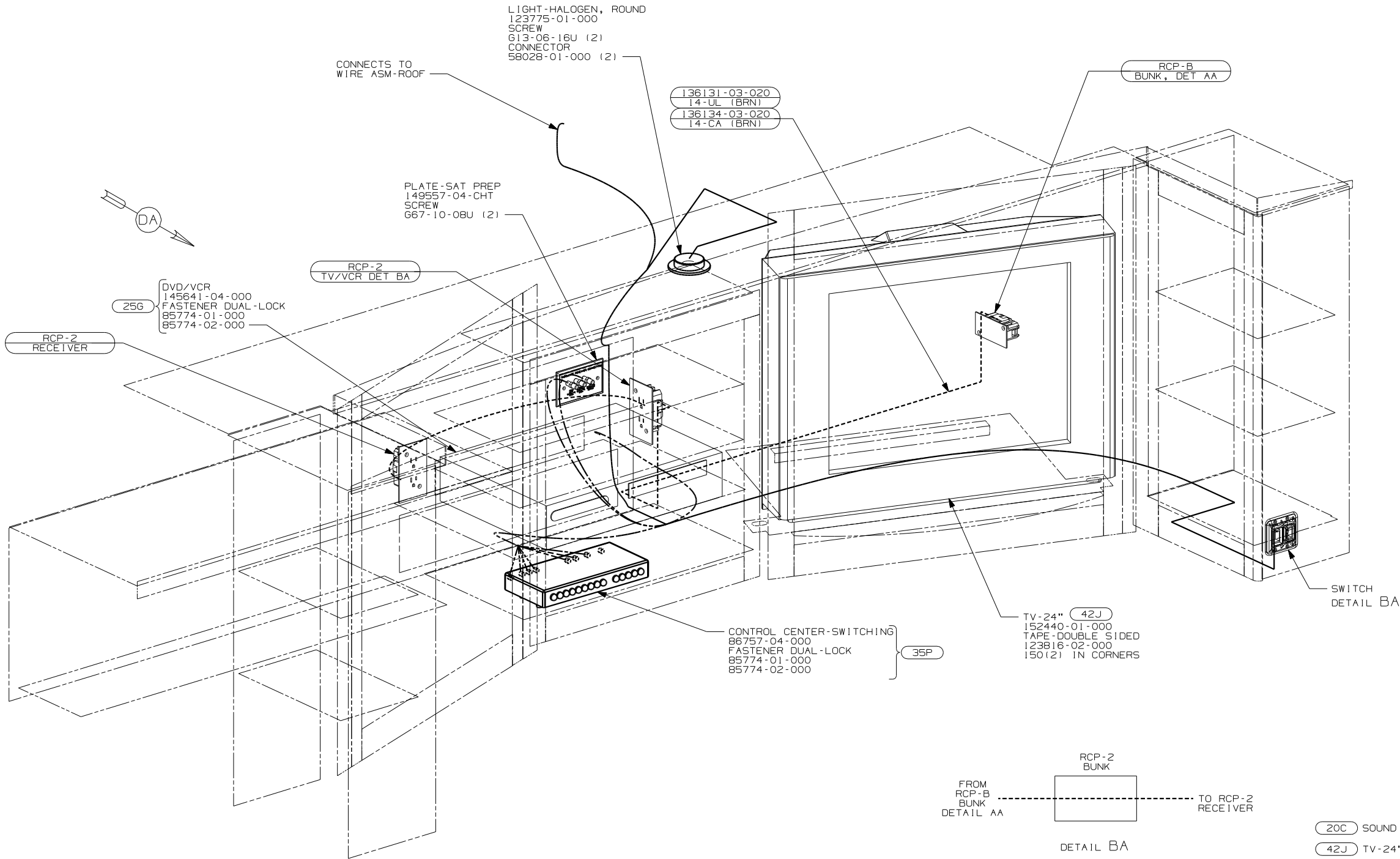
THIRD ANGLE PROJECTION

DO NOT SCALE DRAWING

TITLE: WIRING INSTL-TV/VCR, FRONT

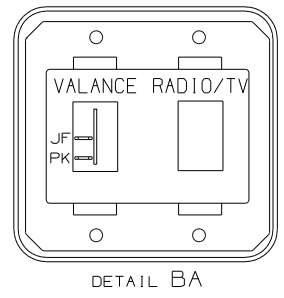
SHEET 1 OF 7 PART NO 148527

REF: 145662-M 3/25/2005



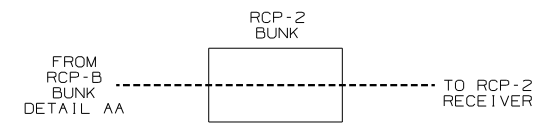
- 5. 110V WIRE TO BE CLAMPED WITH CLAMP 10497-05-000 WITHIN 200mm OF OUTLET BOXES. USE SCREW G67-10-12B.
- 4. ALL WIRES TO BE SECURED WITH CLAMP 10495-01-000 OR CLIP 80734-01-000 EVERY 600mm. USE SCREW G67-10-12B UNLESS OTHERWISE SPECIFIED.
- 3. SEE SHT 4 FOR COAX DETAILS.
- 2. SEE SHT 4 FOR 110V AND 12V DETAILS.
- 1. SEE WIRING INSTL-BODY, 12V & 110V FOR ADDITIONAL INFORMATION.

NOTES:



SWITCH-ROCKER
 135740-01-CHT
 SWITCH-BLANK
 138253-01-CHT
 SWITCH-BASE
 135741-02-CHT
 SWITCH-BEZEL
 135742-29-CHT
 SCREW
 G11-08-08U (4)

DETAIL BA



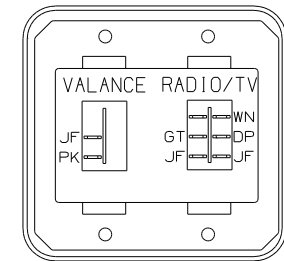
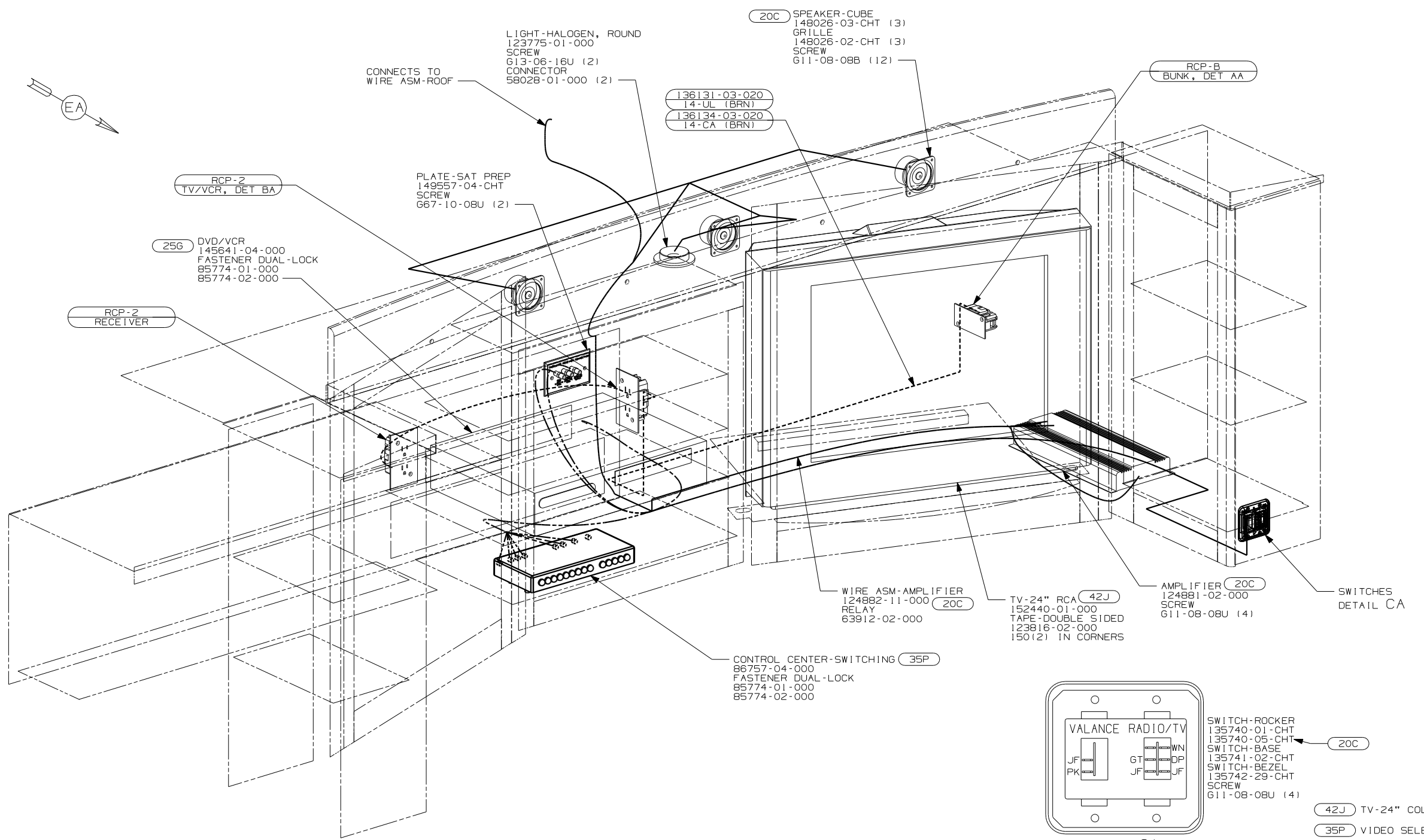
DETAIL BA

400 SERIES W/OUT (20C)

(X-X)
 FOR ELECTRICAL CALLOUTS SEE DWG NO. 121339-01-000

- (20C) SOUND SYS. DLX. W/O-SURROUND
- (42J) TV-24" COLOR, STEREO W/REMOTE
- (35P) VIDEO SELECTION SYSTEM
- (25G) DVD/VCR, STEREO, W/REMOTE
- (265) CODES/STANDARDS-CSA/CMVSS
- (1B1) CODES/STANDARDS USA

FIRST USED	
300/400/700 SER	
DO NOT SCALE DRAWING	
TITLE:	
WIRING INSTL-TV/VCR, FRONT	
SHEET 2	PART NO 148527



SWITCH-ROCKER
135740-01-CHT
135740-05-CHT
SWITCH-BASE
135741-02-CHT
SWITCH-BEZEL
135742-29-CHT
SCREW
611-08-08U (4)

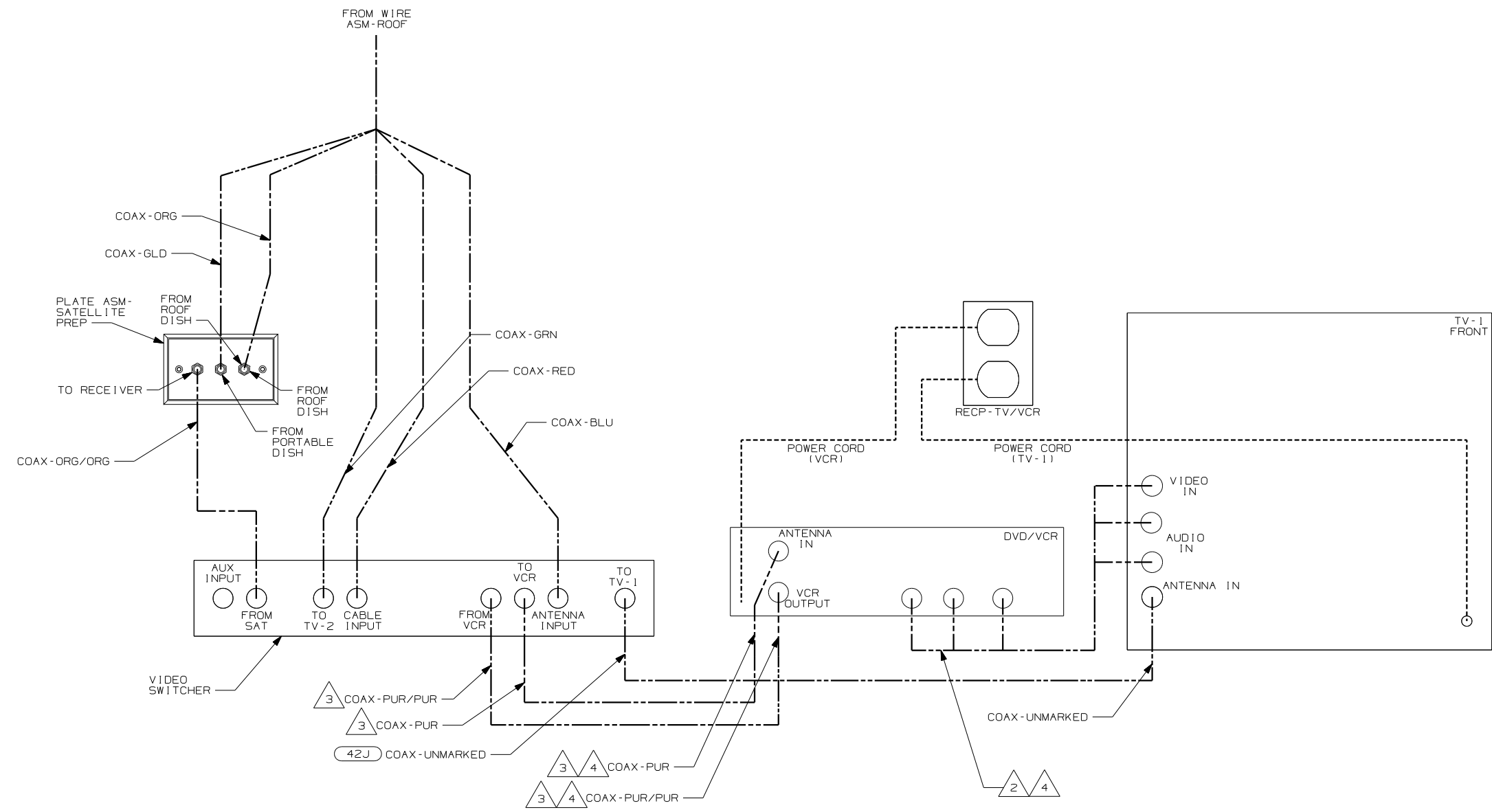
- 42J** TV-24" COLOR, STEREO W/REMOTE
- 35P** VIDEO SELECTION SYSTEM
- 25G** DVD/VCR, STEREO, W/REMOTE
- 20C** SOUND SYS. DLX. W/O-SURROUND
- 265** CODES/STANDARDS-CSA/CMVSS
- 1B1** CODES/STANDARDS USA

400 SERIES **20C**

(X-X) FOR ELECTRICAL CALLOUTS SEE DWG NO. 121339-01-000

- NOTES:
5. 110V WIRE TO BE CLAMPED WITH CLAMP 10497-05-000 WITHIN 200mm OF OUTLET BOXES. USE SCREW 667-10-12B.
 4. ALL WIRES TO BE SECURED WITH CLAMP 10495-01-000 OR CLIP 80734-01-000 EVERY 600mm. USE SCREW 667-10-12B UNLESS OTHERWISE SPECIFIED.
 3. SEE SHT 5 FOR COAX DETAILS.
 2. SEE SHT 5 FOR 110V AND 12V DETAILS.
 1. SEE WIRING INSTL-BODY, 12V & 110V FOR ADDITIONAL INFORMATION.

FIRST USED	300/400/700 SER
TITLE	DO NOT SCALE DRAWING
TITLE	WIRING INSTL-TV/VCR, FRONT
SHEET 3	PART NO 148527



VIEW DA

5. ALL CONNECTIONS ARE SHOWN FROM BACKSIDE OF COMPONENTS.
- 4 CABLE IS ONLY USED WITH (25G). WITHOUT (25G) TAPE BACK TO HARNESS
 - 3 CABLE IS FROM WIRE ASM-TV,FRONT.
 - 2 SUPPLIED WITH DVD/VCR.

NOTES:

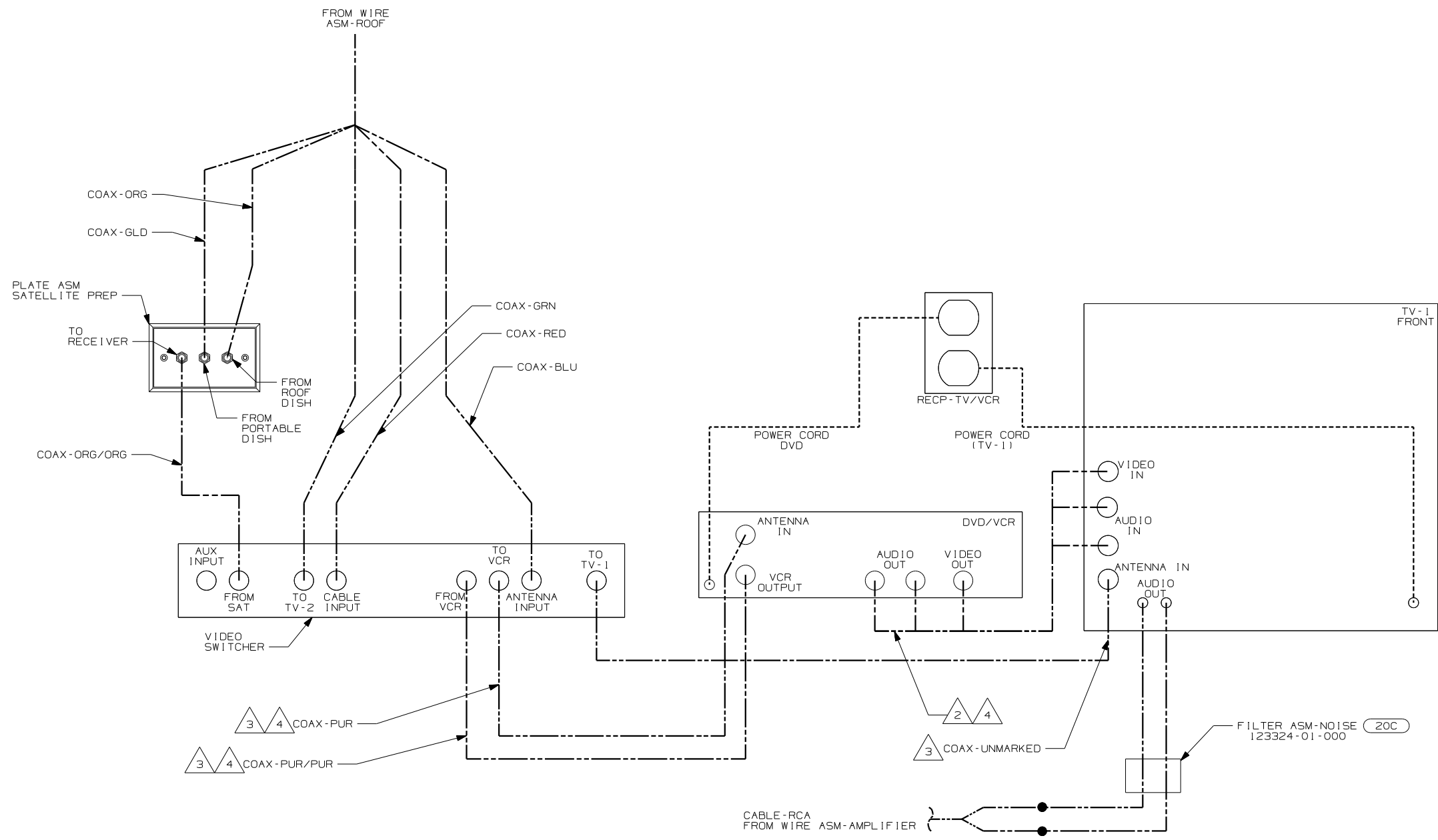
1. SEE WIRING INSTL-BODY, 12V FOR ADDITIONAL INFORMATION.

- (42J) TV-24" COLOR,STEREO W/REMOTE
- (40B) INVERTER-DC/AC, 300 WATT
- (35P) VIDEO SELECTION SYSTEM
- (25G) DVD/VCR,STEREO,W/REMOTE
- (265) CODES/STANDARDS-CSA/CMVSS
- (193) ANTENNA-TV, AMPLIFIED
- (1B1) CODES/STANDARDS-USA

400 SERIES W/OUT (20C)

(X-X) FOR ELECTRICAL CALLOUTS SEE DWG NO. 121339-01-000

FIRST USED	300/400/700 SER
TITLE	DO NOT SCALE DRAWING
TITLE	WIRING INSTL-TV/VCR,FRONT
SHEET 4	PART NO 148527



VIEW EA (20C)

5. ALL CONNECTIONS ARE SHOWN FROM BACKSIDE OF COMPONENTS.

- 4 CABLE IS ONLY USED WITH (25G). WITHOUT (25G) TAPE BACK TO HARNESS
- 3 CABLE IS FROM WIRE ASM-TV,FRONT.
- 2 SUPPLIED WITH DVD/VCR.

1. SEE WIRING INSLT-BODY, 12V FOR ADDITIONAL INFORMATION.

NOTES:

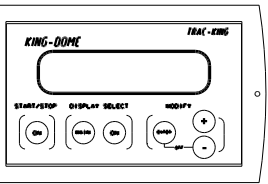
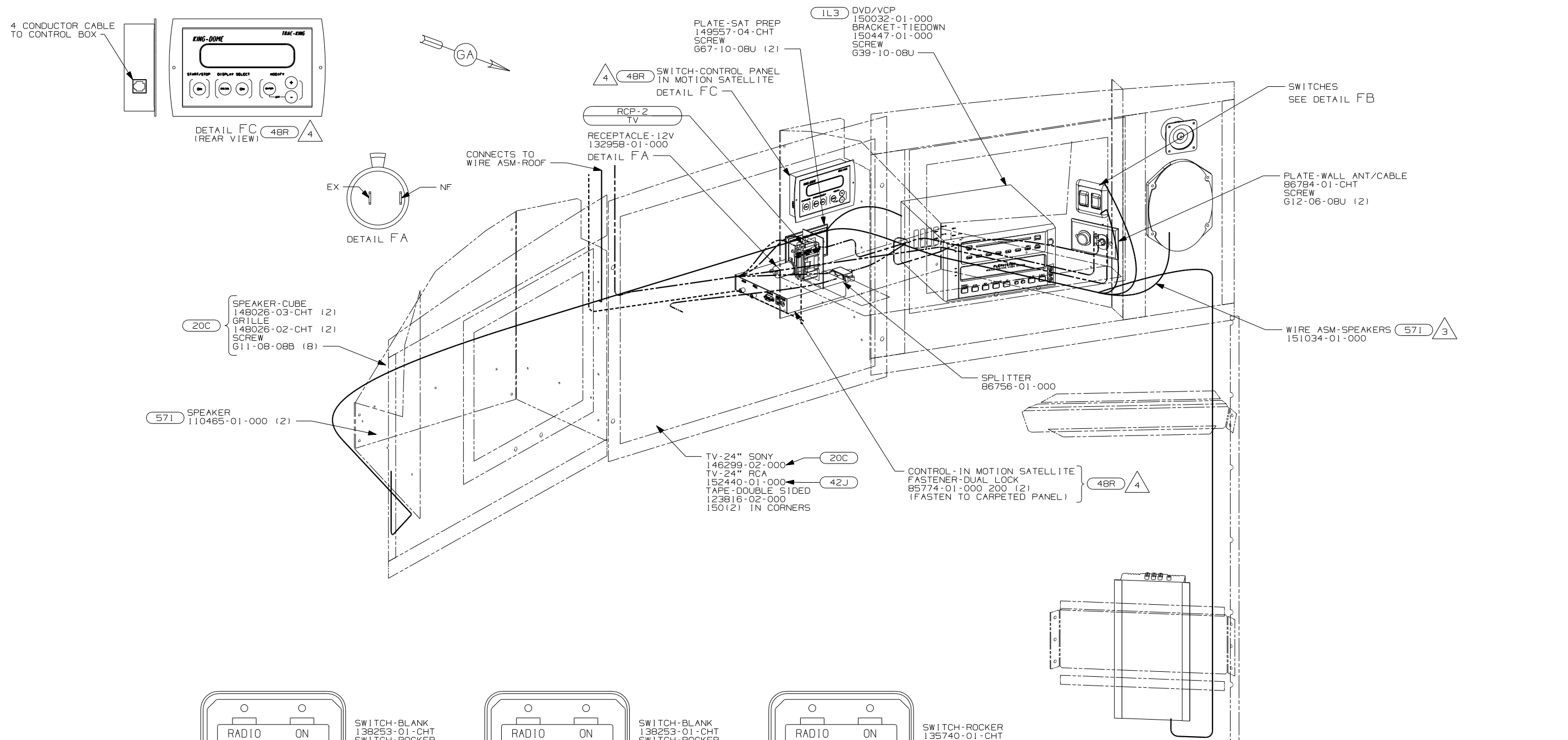
- (42J) TV-24" COLOR, STEREO W/REMOTE
- (25G) DVD/VCR, STEREO, W/REMOTE
- (20C) SOUND SYS. DLX. W/O-SURROUND
- (265) CODES/STANDARDS-CSA/CMVSS
- (193) ANTENNA-TV, AMPLIFIED
- (1B1) CODES/STANDARDS-USA

(1B1) (265) (20C)

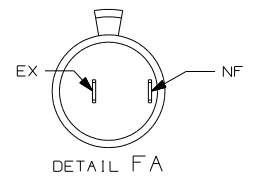
400 SERIES WITH (20C)

(X-X) FOR ELECTRICAL CALLOUTS SEE DWG NO. 121339-01-000

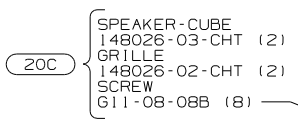
FIRST USED	300/400/700 SER
TITLE	DO NOT SCALE DRAWING
TITLE	WIRING INSTL-TV/VCR,FRONT
SHEET 5	PART NO 148527



DETAIL FC (REAR VIEW) 48R 4



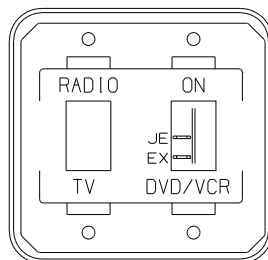
DETAIL FA



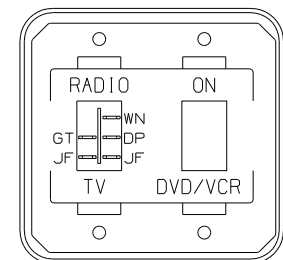
20C



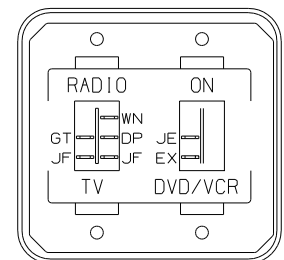
571



DETAIL FB (IL3)



DETAIL FB (20C)



DETAIL FB (20C) (IL3)

SWITCH-BLANK
138253-01-CHT
SWITCH-ROCKER
135740-01-CHT
SWITCH-BASE
135741-02-CHT
SWITCH-BEZEL
135742-39-CHT
SCREW
G11-08-08U (4)

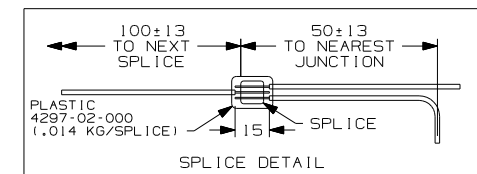
SWITCH-BLANK
138253-01-CHT
SWITCH-ROCKER
135740-05-CHT
SWITCH-BASE
135741-02-CHT
SWITCH-BEZEL
135742-39-CHT
SCREW
G11-08-08U (4)

SWITCH-ROCKER
135740-01-CHT
135740-05-CHT
SWITCH-BASE
135741-02-CHT
SWITCH-BEZEL
135742-39-CHT
SCREW
G11-08-08U (4)

- 4 PARTS ARE SUPPLIED WITH SATELLITE KIT 154474-02-000.
- 3 NOT USED WITH (20C)
2. SEE SH7 FOR 110V, 12V AND COAX DETAIL.
1. SEE WIRING INSTL-BODY, 12 & 110V FOR ADDITIONAL INFORMATION.

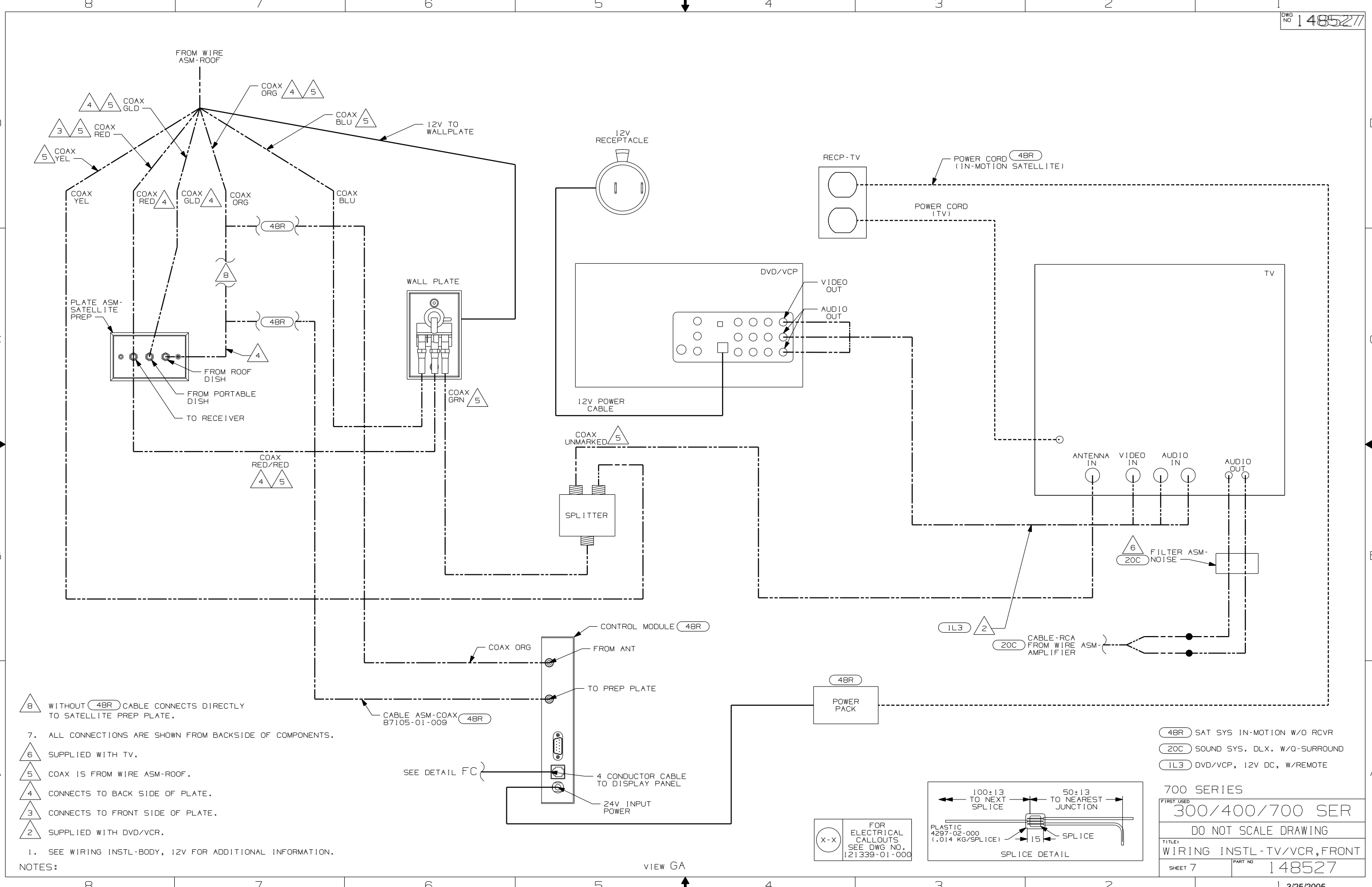
NOTES:

FOR ELECTRICAL CALLOUTS SEE DWG NO. 121339-01-000



- 48R SAT SYS IN-MOTION W/O RCVR
- 42J TV-24" COLOR, STEREO W/REMOTE
- IL3 DVD/VCP, 12V DC, W/REMOTE
- 571 RADIO SPEAKERS
- 20C SOUND SYS. DLX. W/O-SURROUND 700 SERIES

FIRST USED	300/400/700 SER
TITLE	DO NOT SCALE DRAWING
TITLE	WIRING INSTL-TV/VCR, FRONT
SHEET 6	PART NO 148527

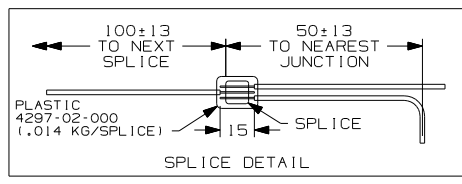


- 8 WITHOUT 48R CABLE CONNECTS DIRECTLY TO SATELLITE PREP PLATE.
- 7. ALL CONNECTIONS ARE SHOWN FROM BACKSIDE OF COMPONENTS.
- 6 SUPPLIED WITH TV.
- 5 COAX IS FROM WIRE ASM-ROOF.
- 4 CONNECTS TO BACK SIDE OF PLATE.
- 3 CONNECTS TO FRONT SIDE OF PLATE.
- 2 SUPPLIED WITH DVD/VCR.

NOTES:
1. SEE WIRING INSTL-BODY, 12V FOR ADDITIONAL INFORMATION.

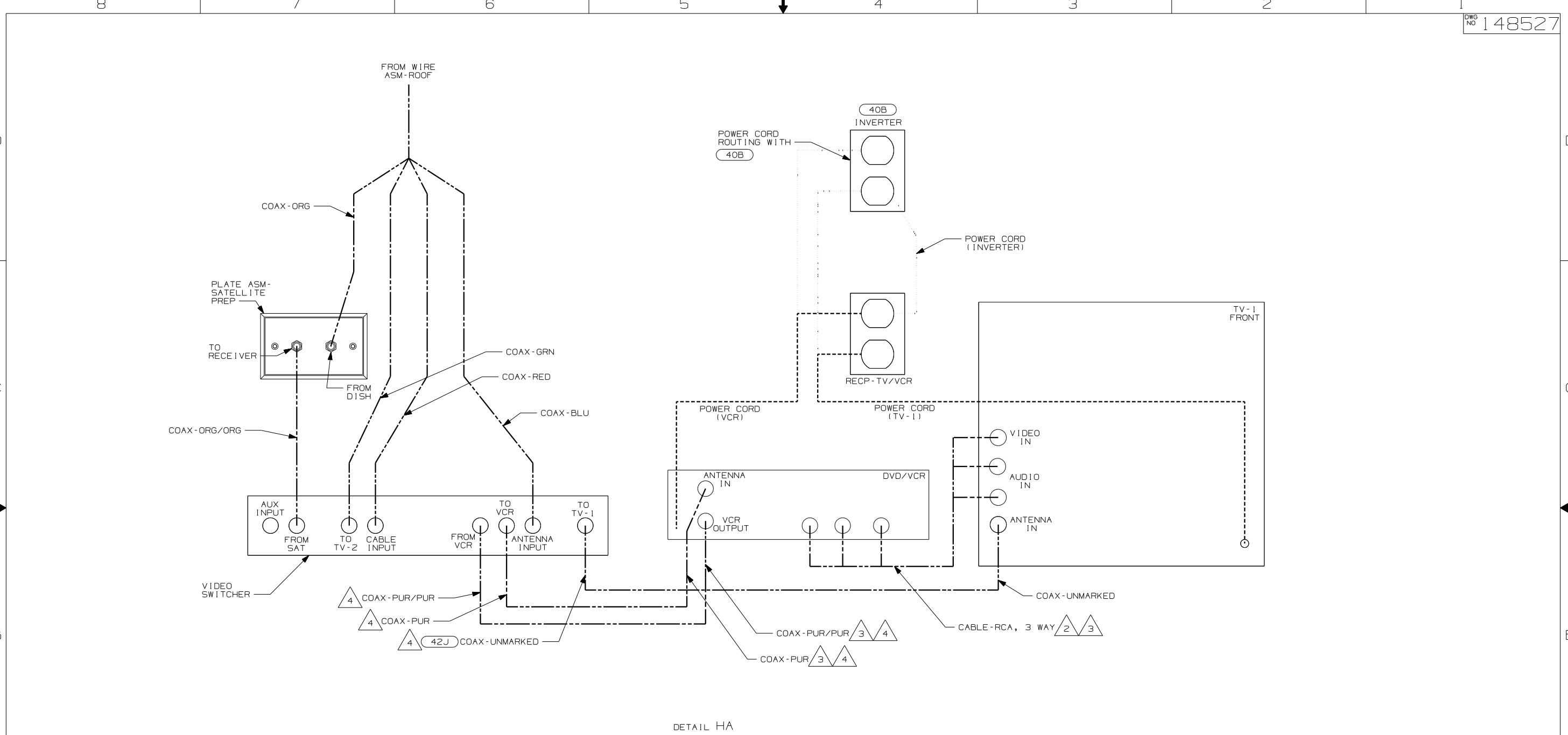
- 48R SAT SYS IN-MOTION W/O RCVR
- 20C SOUND SYS. DLX. W/O-SURROUND
- 1L3 DVD/VCP, 12V DC, W/REMOTE

700 SERIES	
FIRST USED	
300/400/700 SER	
DO NOT SCALE DRAWING	
TITLE:	
WIRING INSTL-TV/VCR, FRONT	
SHEET 7	PART NO 148527



FOR ELECTRICAL CALLOUTS SEE DWG NO. 121339-01-000

VIEW GA



DETAIL HA

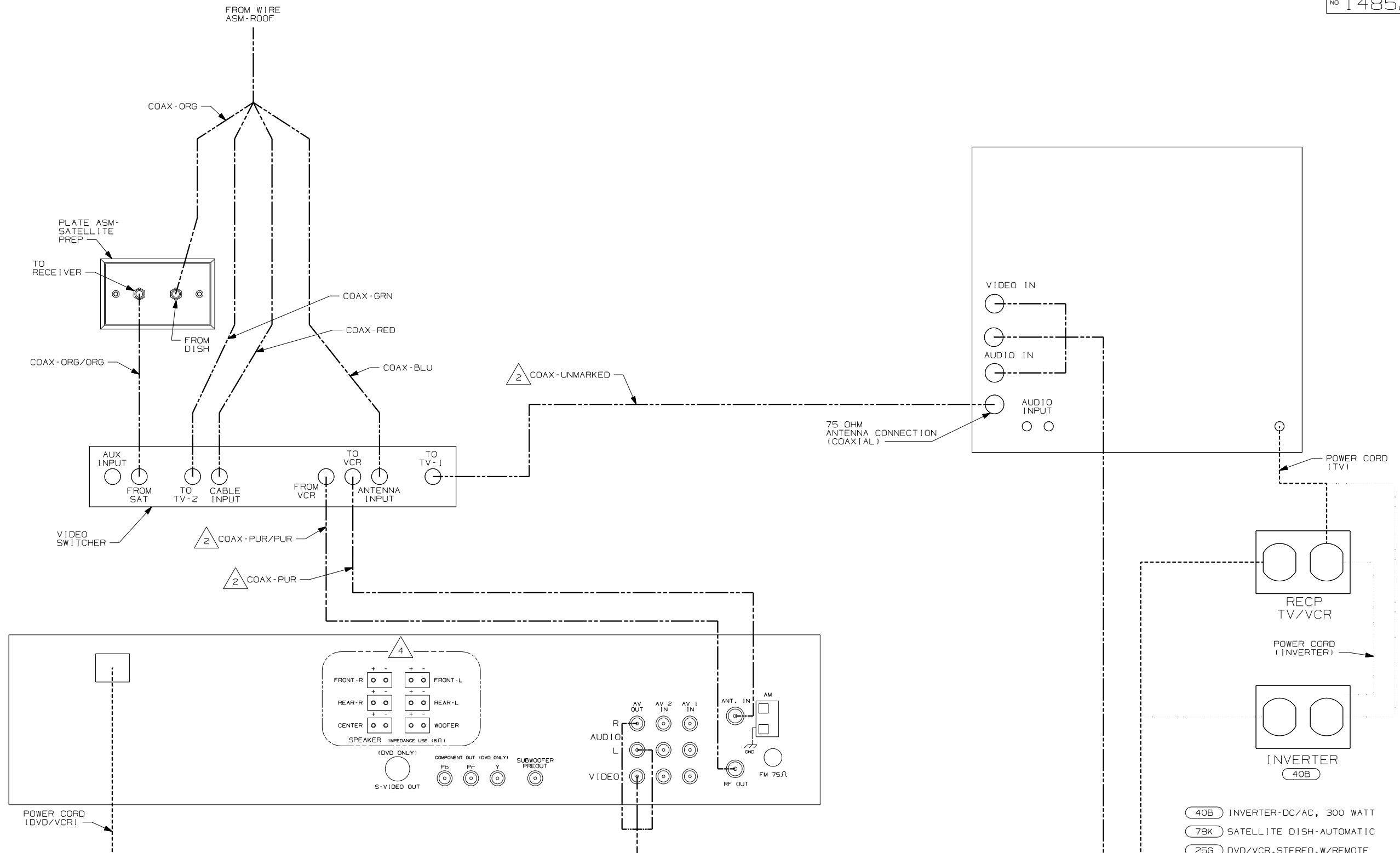
- 5. ALL CONNECTIONS ARE SHOWN FROM BACKSIDE OF COMPONENTS.
- 4 COAX IS FROM WIRE ASM-TV, FRONT.
- 3 CABLE IS ONLY USED WITH (25G). WITHOUT (25G) TAPE BACK TO HARNESS.
- 2 SUPPLIED WITH DVD/VCR

NOTES: 1. SEE WIRING INSTL-BODY, 12V FOR ADDITIONAL INFORMATION.

- (42J) TV-24" COLOR, STEREO W/REMOTE
- (40B) INVERTER-DC/AC, 300 WATT
- (35P) VIDEO SELECTION SYSTEM
- (25G) DVD/VCR, STEREO, W/REMOTE
- (265) CODES/STANDARDS-CSA/CMVSS
- (193) ANTENNA-TV, AMPLIFIED
- (1B1) CODES/STANDARDS-USA

FIRST USED	
300/400/700 SER	
DO NOT SCALE DRAWING	
TITLE:	
WIRING INSTL-TV/VCR, FRONT	
SHEET 8	PART NO 148527

300 SERIES



- NOTES:**
- 4 CUT SUPPLIED SPEAKER WIRES TO A LENGTH OF 150MM AND CONNECT TO MATCHING CIRCUITS ON WIRE ASM-SIDE TV.
 - 3 CABLE IS SUPPLIED WITH DVD/VCR.
 - 2 COAX IS FROM WIRE ASM-TV,FRONT.
 - 1 CABLE ASM MARKED WITH COLORED TAPE.

5. ALL CONNECTIONS ARE SHOWN FROM BACKSIDE OF COMPONENTS.

DETAIL JA 1JM

- 40B INVERTER-DC/AC, 300 WATT
- 78K SATELLITE DISH-AUTOMATIC
- 25G DVD/VCR,STEREO,W/REMOTE
- 1JM HOME THEATER SOUND SYSTEM

FIRST USED	
05 300 SERIES	
DO NOT SCALE DRAWING	
TITLE:	
WIRING INSTL-TV/VCR,FRONT	
SHEET 9	PART NO 148527