



DANGER

Danger of electrical shock, burns or death. Always remove all power sources before attempting any repair, service or diagnostic work. Power can be present from shore power, generator, inverter or battery. All power sources must be disabled and secured before performing any service.

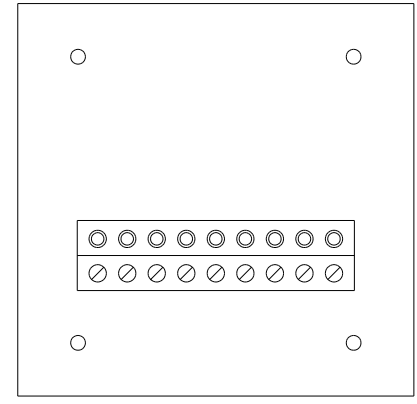
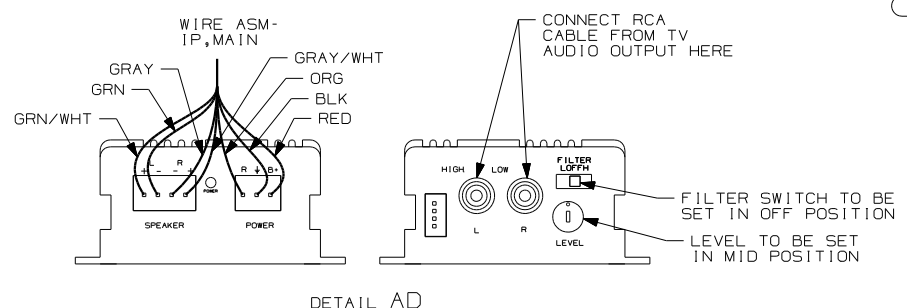
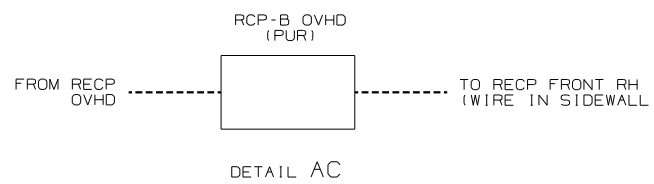
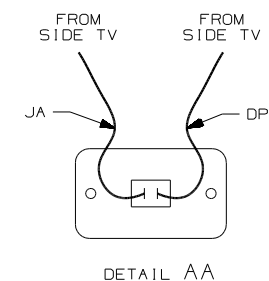
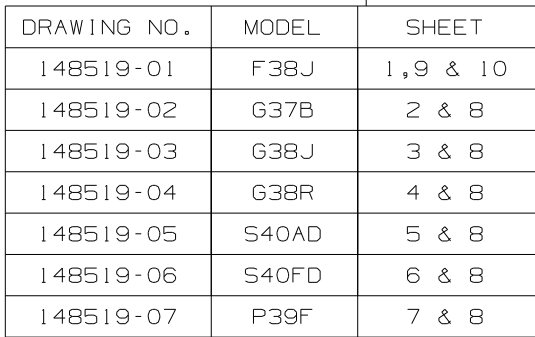


CAUTION

If you lack the skills, tools or equipment to perform diagnostic or repair work leave such work to an authorized Winnebago Industries dealer or other qualified shop.

DRAWING NO.	MODEL	SHEET
148519-01	F38J	1,9 & 10
148519-02	G37B	2 & 8
148519-03	G38J	3 & 8
148519-04	G38R	4 & 8
148519-05	S40AD	5 & 8
148519-06	S40FD	6 & 8
148519-07	P39F	7 & 8

RELEASE	REV/DATE	OWG NO	148519
REV ZONE	REVISION RECORD	DATE	DFTR-ORIG



- NOTES:
- 4 POSITION TRANSMITTER UNDERNEATH DVD/VCR, 150MM FROM RIGHT SIDE OF DVD/VCR WITH (1JM), 150MM FROM LEFT SIDE OF DVD/VCR WITH (25G).
 - 3 POSITION TRANSMITTER IN THE MIDDLE OF THE TOP SHELF OPENING.
 - 2 SEE WIRING NISTL-BODY, 12V FOR ADDITIONAL INFORMATION.
 - 1 SWITCH SUPPLIED WITH SATELLITE DISH.

- (79H) ENTERTAINMENT CTR-INTERIOR
- (78K) SATELLITE DISH-AUTOMATIC
- (42E) TV-27" COLOR, STEREO W/REMOTE
- (40B) INVERTER-DC/AC, 300 WATT
- (25G) DVD/VCR, STEREO, W/REMOTE
- (10A) TV (REAR)-20" COLOR, STEREO
- (1JM) HOME THEATER SOUND SYSTEM
- (1JF) HOME THEATER SYS-WITHOUT

79H F38J

WINNEBAGO COPYRIGHT 2004 WINNEBAGO INDUSTRIES, INC.

DFTR	ORIG. DATE
CHKR	ALL DIMENSIONS ARE IN MILLIMETERS
P.E.	
M.E.	FIRST USED
DSNR	05 A-BODIES

UNSPECIFIED TOLERANCES ARE: MATERIAL:

WHOLE DIM (X) :
ONE-PLACE (X.X) :
TWO-PLACE (X.XX) :
ANGLE :

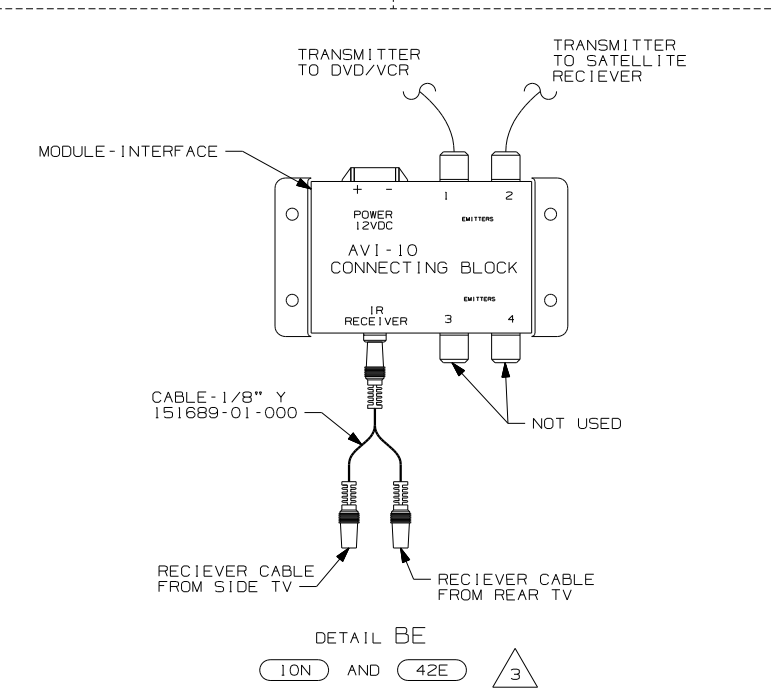
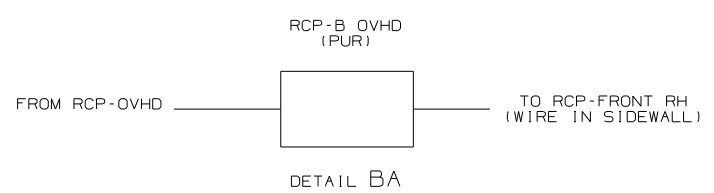
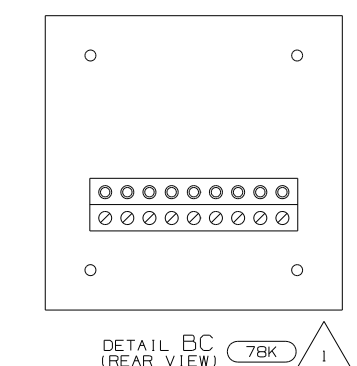
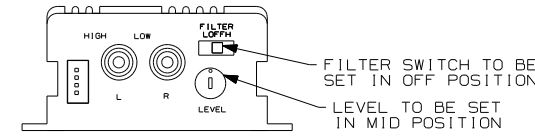
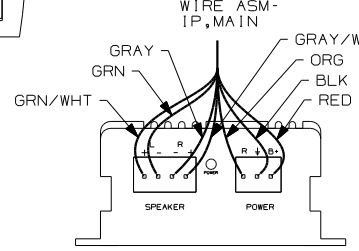
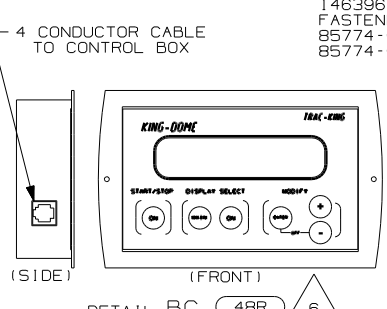
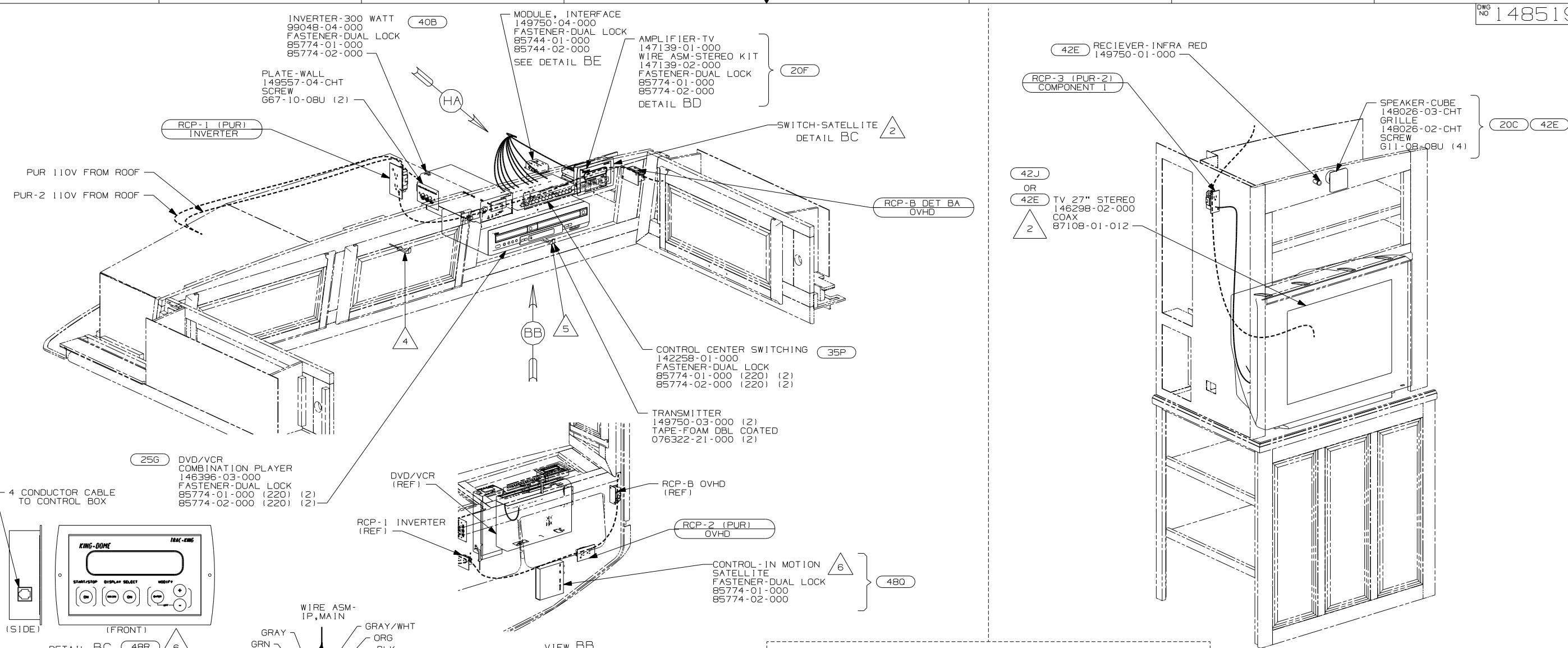
THIRD ANGLE PROJECTION

DO NOT SCALE DRAWING

TITLE: WIRING INSTL-TV/VCR,SIDE

SHEET 1 OF 10 PART NO 148519

REF:146193 11/25/2004



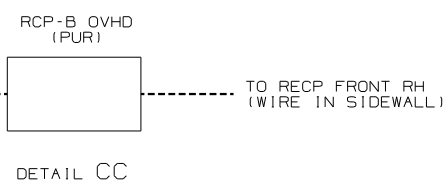
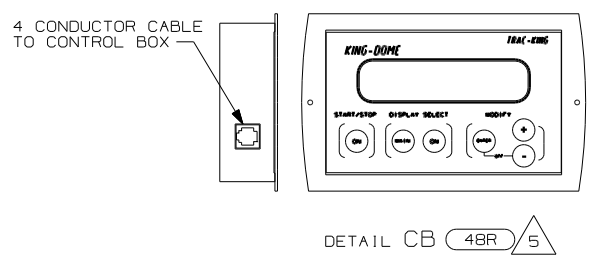
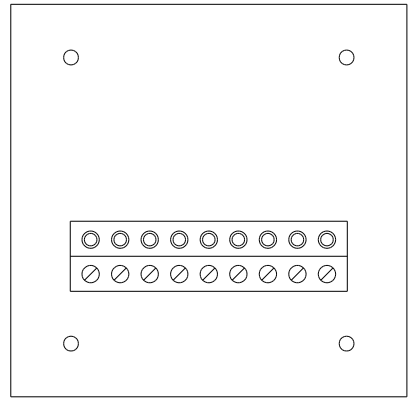
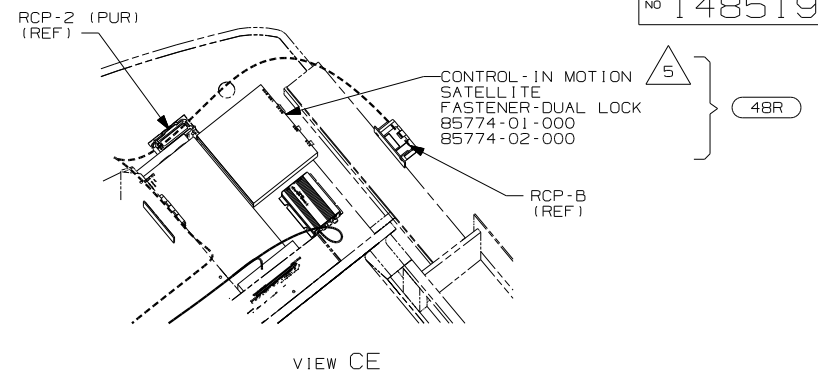
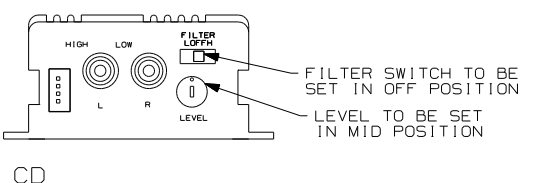
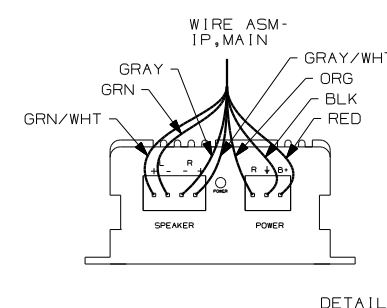
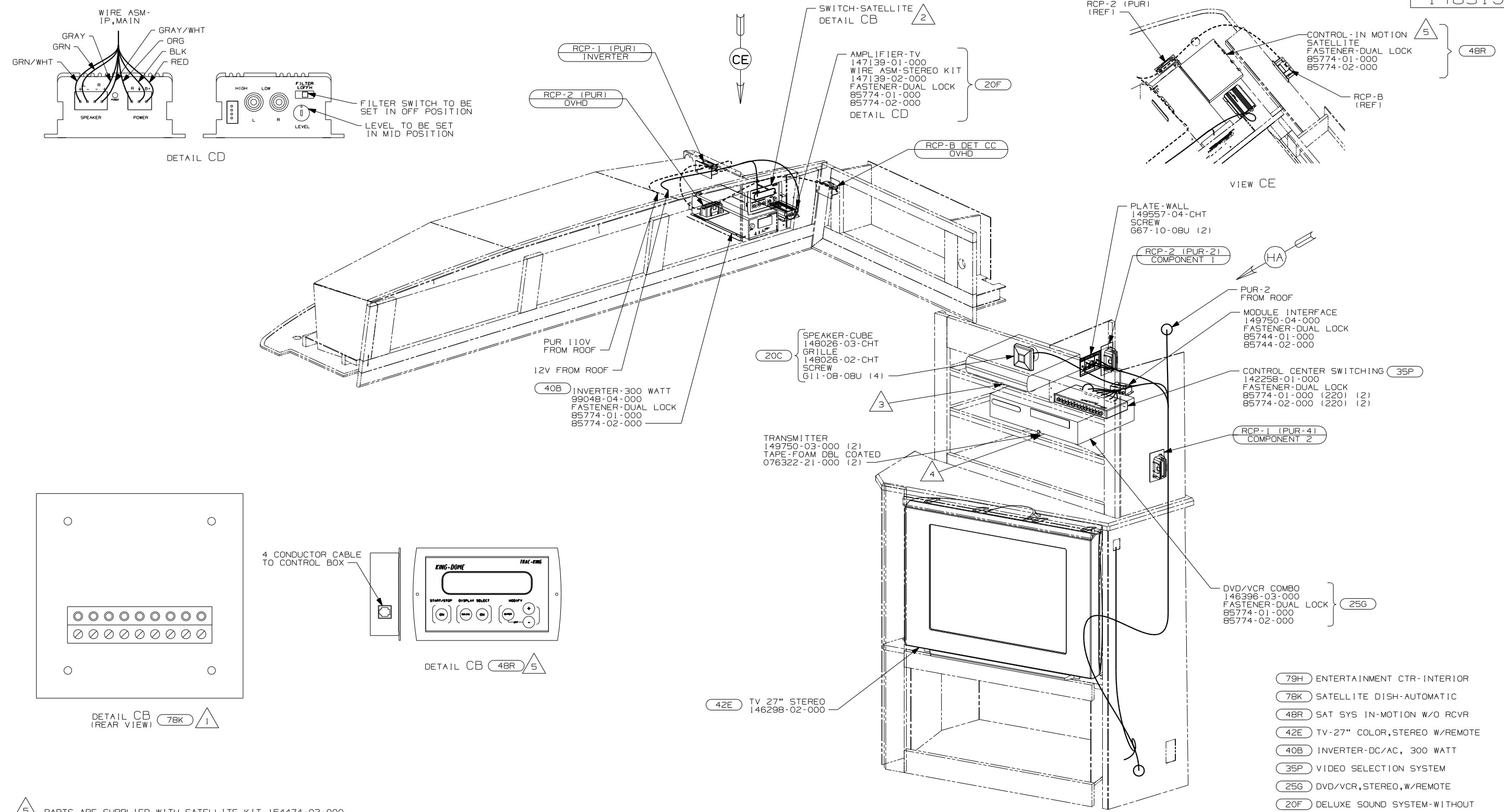
- NOTES:
- 3 IF OPTION (42J) IS USED WITH (42E) SEE WIRING INSTL-TV/VCR,FRONT FOR ADDITIONAL INFORMATION.
 - 2 SEE WIRING INSTL-BODY, 12V FOR ADDITIONAL INFORMATION.
 - 1 SWITCH SUPPLIED WITH SATELLITE DISH.

- 5 PARTS ARE SUPPLIED WITH SATILLITE KIT 154474-02-000.
- 5 POSITION TRANSMITTER UNDERNEATH DVD/VCR, 170mm FROM RIGHT SIDE OF DVD/VCR.
- 4 POSITION TRANSMITTER IN CORNER OF THE SHELF & COIL EXCESS WIRE FOR FUTURE USE.

- (78K) SATELLITE DISH-AUTOMATIC
- (48R) SAT SYS IN-MOTION W/O RCVR
- (42J) TV-24" COLOR,STEREO W/REMOTE
- (42E) TV-27" COLOR,STEREO W/REMOTE
- (40B) INVERTER-DC/AC, 300 WATT
- (35P) VIDEO SELECTION SYSTEM
- (25G) DVD/VCR,STEREO,W/REMOTE
- (20F) DELUXE SOUND SYSTEM-WITHOUT
- (20C) SOUND SYS. DLX. W/O-SURROUND
- (10N) TV (REAR)-24"COLOR, STEREO

FIRST USED	
05 A-BODIES	
DO NOT SCALE DRAWING	
TITLE:	
WIRING INSTL-TV/VCR,SIDE	
SHEET 2	PART NO 148519

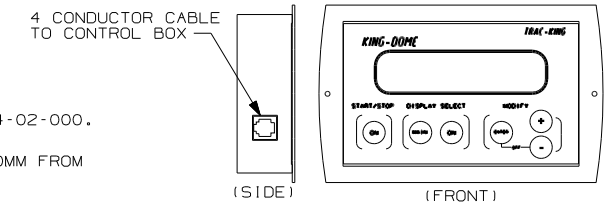
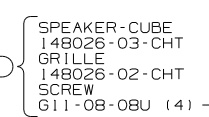
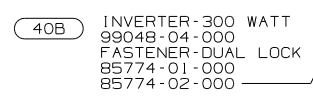
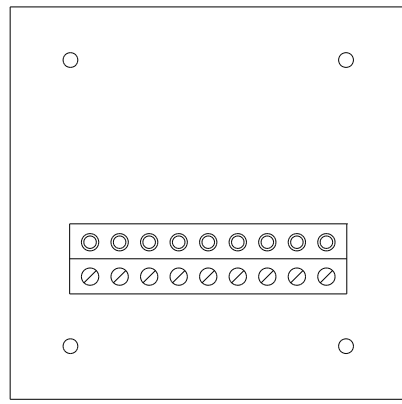
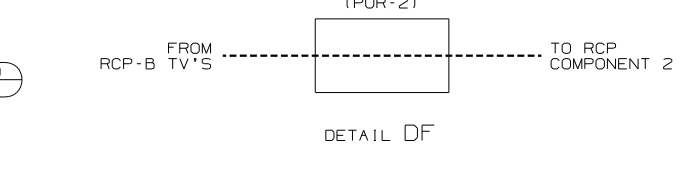
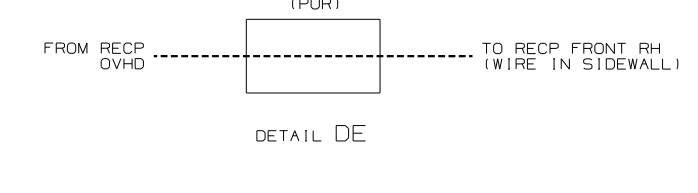
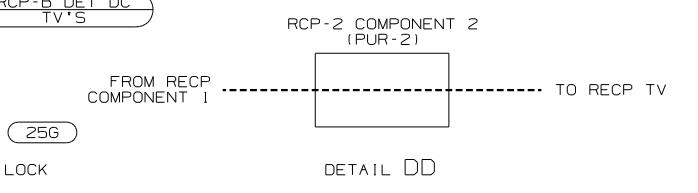
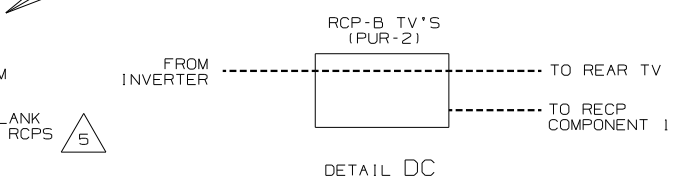
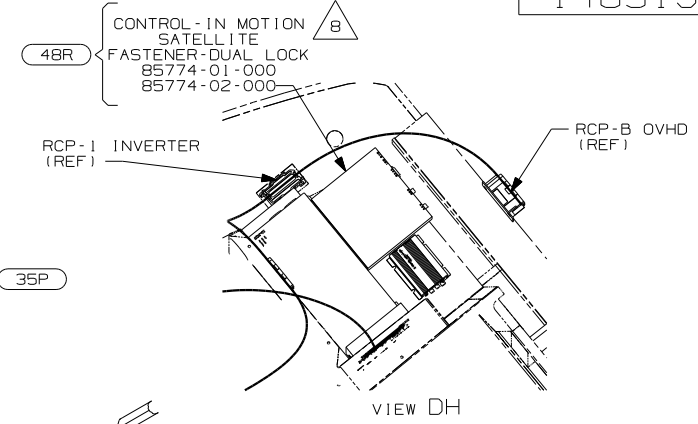
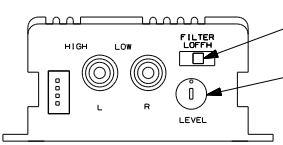
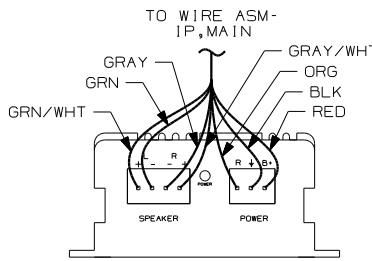
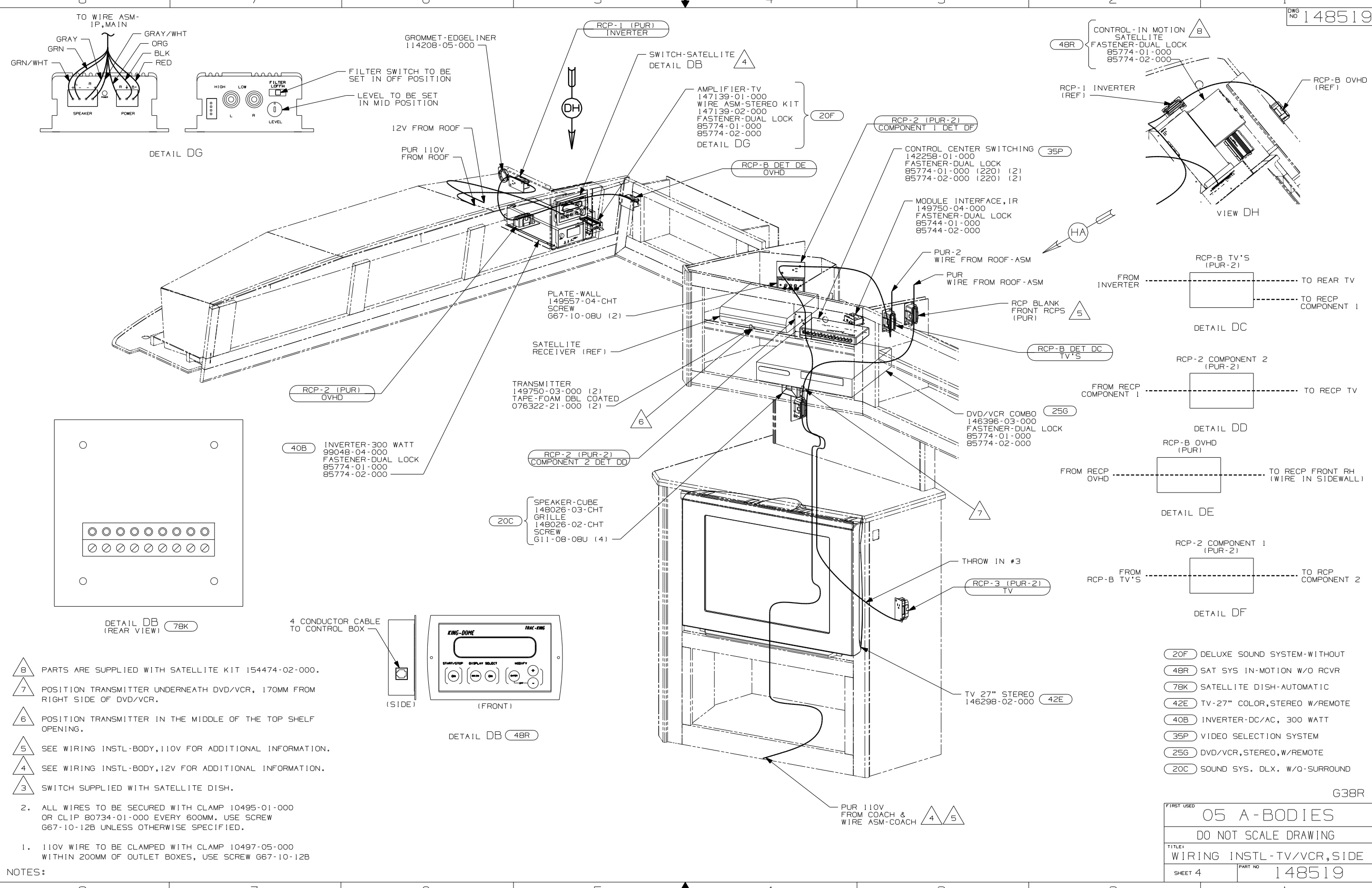
G37B



- NOTES:
- 5 PARTS ARE SUPPLIED WITH SATELLITE KIT 154474-02-000.
 - 4 POSITION TRANSMITTER UNDERNEATH DVD/VCR, 170MM FROM RIGHT SIDE OF DVD/VCR.
 - 3 POSITION TRANSMITTER IN THE MIDDLE OF THE TOP SHELF OPENING.
 - 2 SEE WIRING INSTALLATION-BODY, 12V FOR ADDITIONAL INFORMATION.
 - 1 SWITCH SUPPLIED WITH SATELLITE DISH.

- 79H ENTERTAINMENT CTR-INTERIOR
- 78K SATELLITE DISH-AUTOMATIC
- 48R SAT SYS IN-MOTION W/O RCVR
- 42E TV-27" COLOR, STEREO W/REMOTE
- 40B INVERTER-DC/AC, 300 WATT
- 35P VIDEO SELECTION SYSTEM
- 25G DVD/VCR, STEREO, W/REMOTE
- 20F DELUXE SOUND SYSTEM-WITHOUT
- 20C SOUND SYS. DLX. W/O-SURROUND

FIRST USED		G38J	
05 A-BODIES			
DO NOT SCALE DRAWING			
TITLE: WIRING INSTL-TV/VCR, SIDE			
SHEET 3	PART NO	148519	



- 8 PARTS ARE SUPPLIED WITH SATELLITE KIT 154474-02-000.
- 7 POSITION TRANSMITTER UNDERNEATH DVD/VCR, 170MM FROM RIGHT SIDE OF DVD/VCR.
- 6 POSITION TRANSMITTER IN THE MIDDLE OF THE TOP SHELF OPENING.
- 5 SEE WIRING INSTL-BODY,110V FOR ADDITIONAL INFORMATION.
- 4 SEE WIRING INSTL-BODY,12V FOR ADDITIONAL INFORMATION.
- 3 SWITCH SUPPLIED WITH SATELLITE DISH.

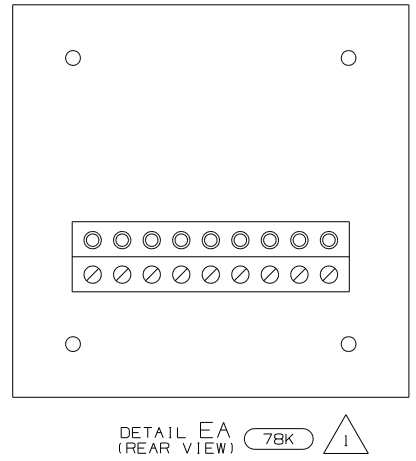
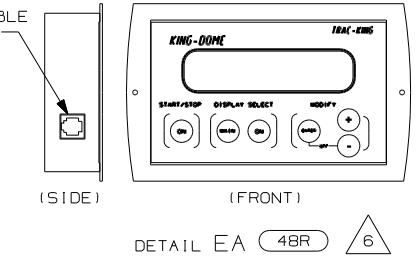
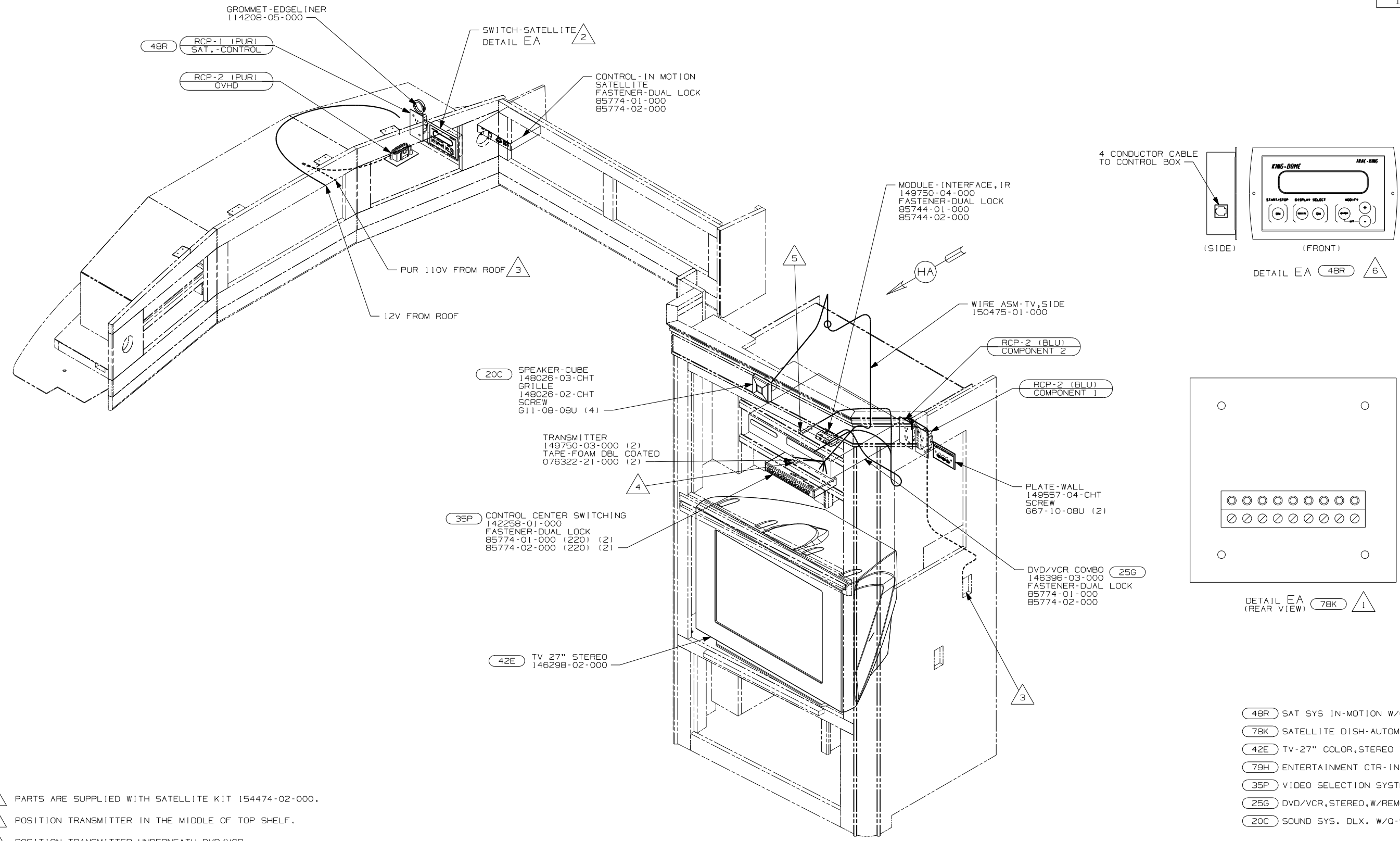
2. ALL WIRES TO BE SECURED WITH CLAMP 10495-01-000 OR CLIP 80734-01-000 EVERY 600MM. USE SCREW 667-10-12B UNLESS OTHERWISE SPECIFIED.
1. 110V WIRE TO BE CLAMPED WITH CLAMP 10497-05-000 WITHIN 200MM OF OUTLET BOXES, USE SCREW 667-10-12B

NOTES:

- 20F DELUXE SOUND SYSTEM-WITHOUT
- 48R SAT SYS IN-MOTION W/O RCVR
- 78K SATELLITE DISH-AUTOMATIC
- 42E TV-27" COLOR,STEREO W/REMOTE
- 40B INVERTER-DC/AC, 300 WATT
- 35P VIDEO SELECTION SYSTEM
- 25G DVD/VCR,STEREO,W/REMOTE
- 20C SOUND SYS. DLX. W/O-SURROUND

FIRST USED	
05 A-BODIES	
DO NOT SCALE DRAWING	
TITLE:	
WIRING INSTL-TV/VCR,SIDE	
SHEET 4	PART NO 148519

G38R

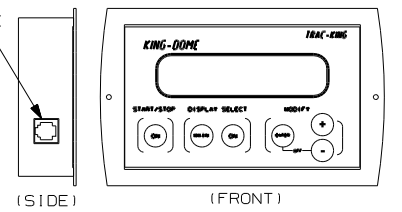
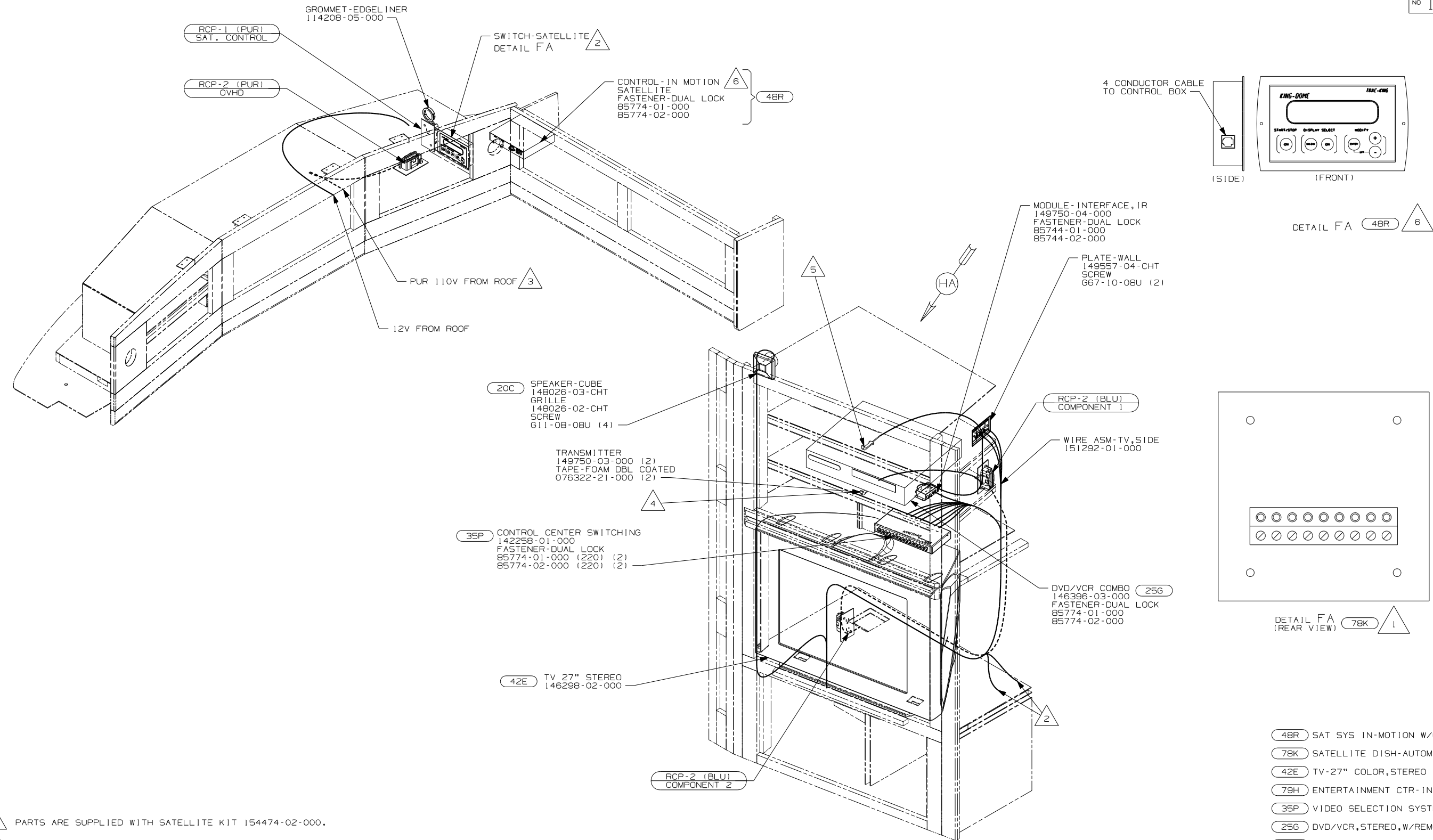


- 6 PARTS ARE SUPPLIED WITH SATELLITE KIT 154474-02-000.
- 5 POSITION TRANSMITTER IN THE MIDDLE OF TOP SHELF.
- 4 POSITION TRANSMITTER UNDERNEATH DVD/VCR, 170MM FROM RIGHT SIDE OF DVD/VCR.
- 3 SEE WIRING INSTALLATION-BODY,110V FOR ADDITIONAL INFORMATION.
- 2 SEE WIRING INSTALLATION-BODY,12V FOR ADDITIONAL INFORMATION.
- 1 SWITCH SUPPLIED WITH SATELLITE DISH.

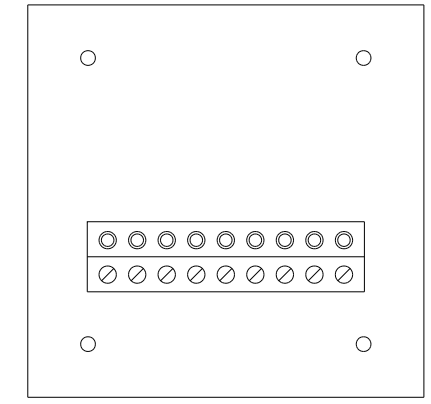
NOTES:

- 48R SAT SYS IN-MOTION W/O RCVR
- 78K SATELLITE DISH-AUTOMATIC
- 42E TV-27" COLOR,STEREO W/REMOTE
- 79H ENTERTAINMENT CTR- INTERIOR
- 35P VIDEO SELECTION SYSTEM
- 25G DVD/VCR,STEREO,W/REMOTE
- 20C SOUND SYS. DLX. W/O-SURROUND

79H		S40AD
FIRST USED		
05 A-BODIES		
DO NOT SCALE DRAWING		
TITLE:		
WIRING INSTL-TV/VCR,SIDE		
SHEET 5	PART NO	148519



DETAIL FA 48R 6

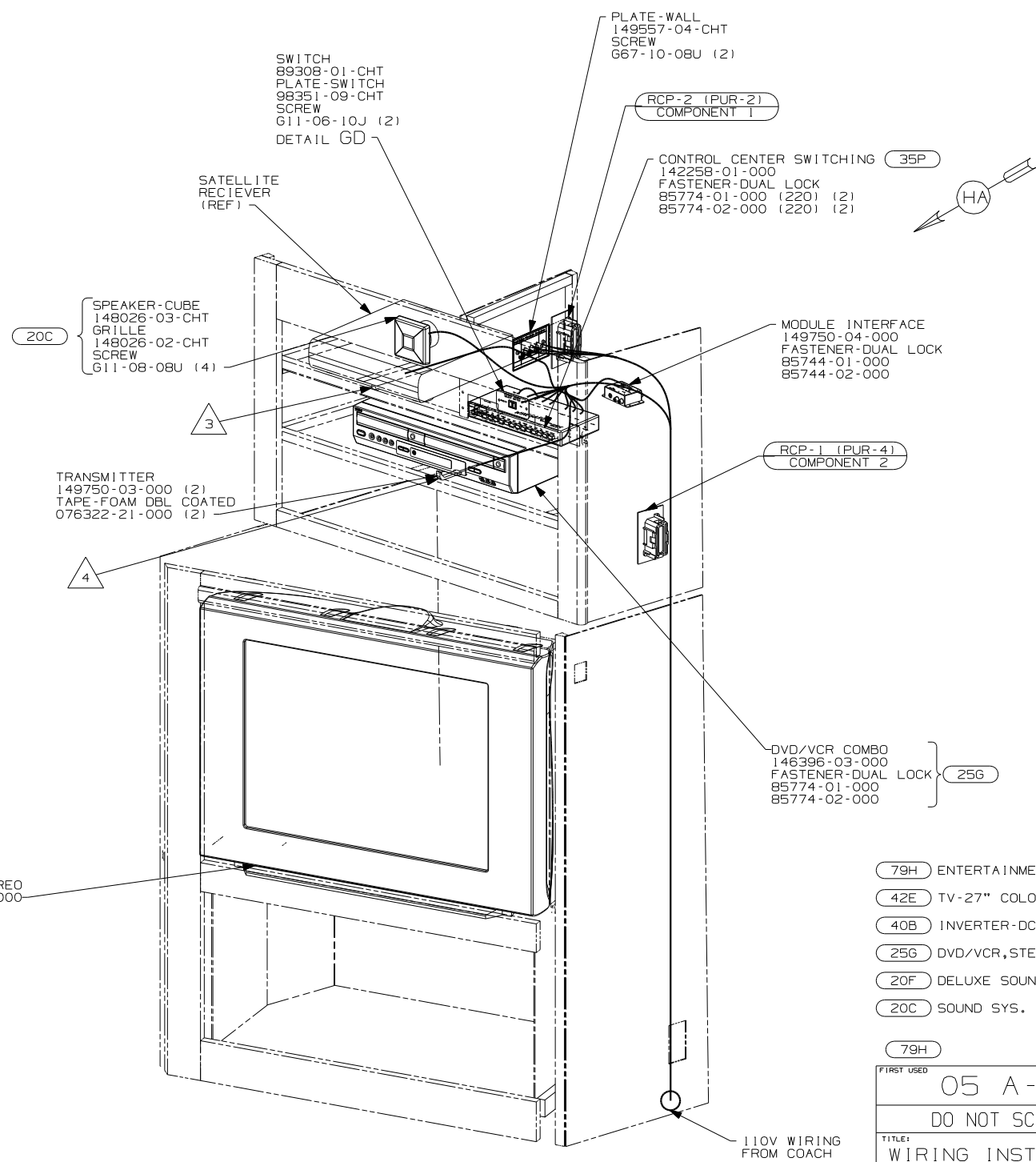
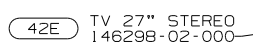
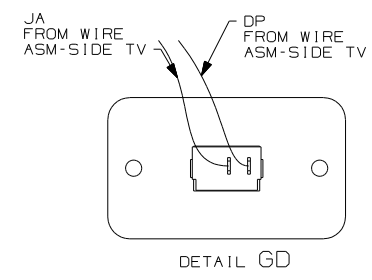
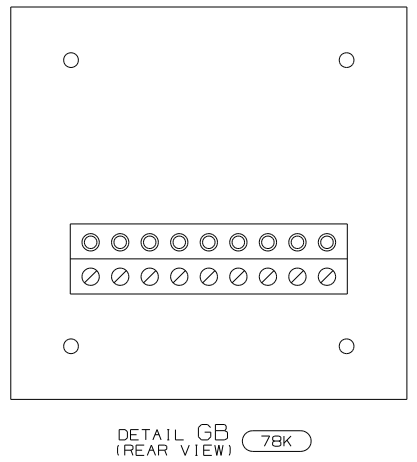
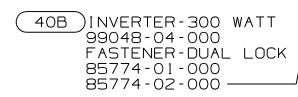
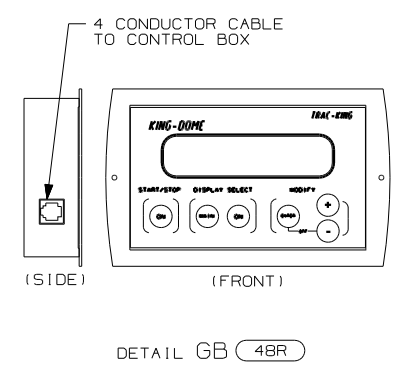
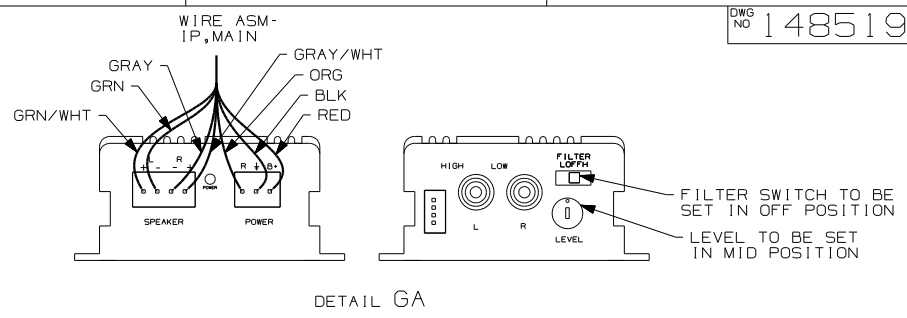
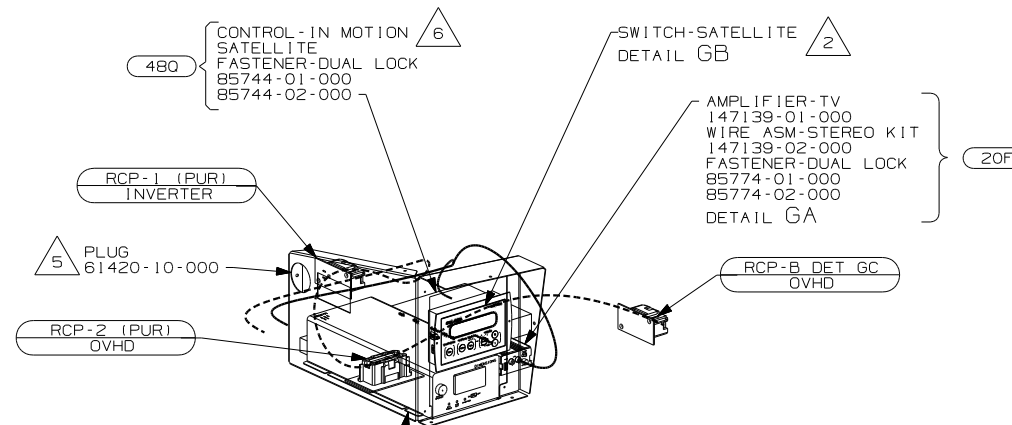


DETAIL FA 78K 1

- 48R SAT SYS IN-MOTION W/O RCVR
- 78K SATELLITE DISH-AUTOMATIC
- 42E TV-27" COLOR, STEREO W/REMOTE
- 79H ENTERTAINMENT CTR-INTERIOR
- 35P VIDEO SELECTION SYSTEM
- 25G DVD/VCR, STEREO, W/REMOTE
- 20C SOUND SYS. DLX. W/O-SURROUND

FIRST USED		S40FD	
05 A-BODIES			
DO NOT SCALE DRAWING			
TITLE:			
WIRING INSTL-TV/VCR, SIDE			
SHEET 6	PART NO	148519	

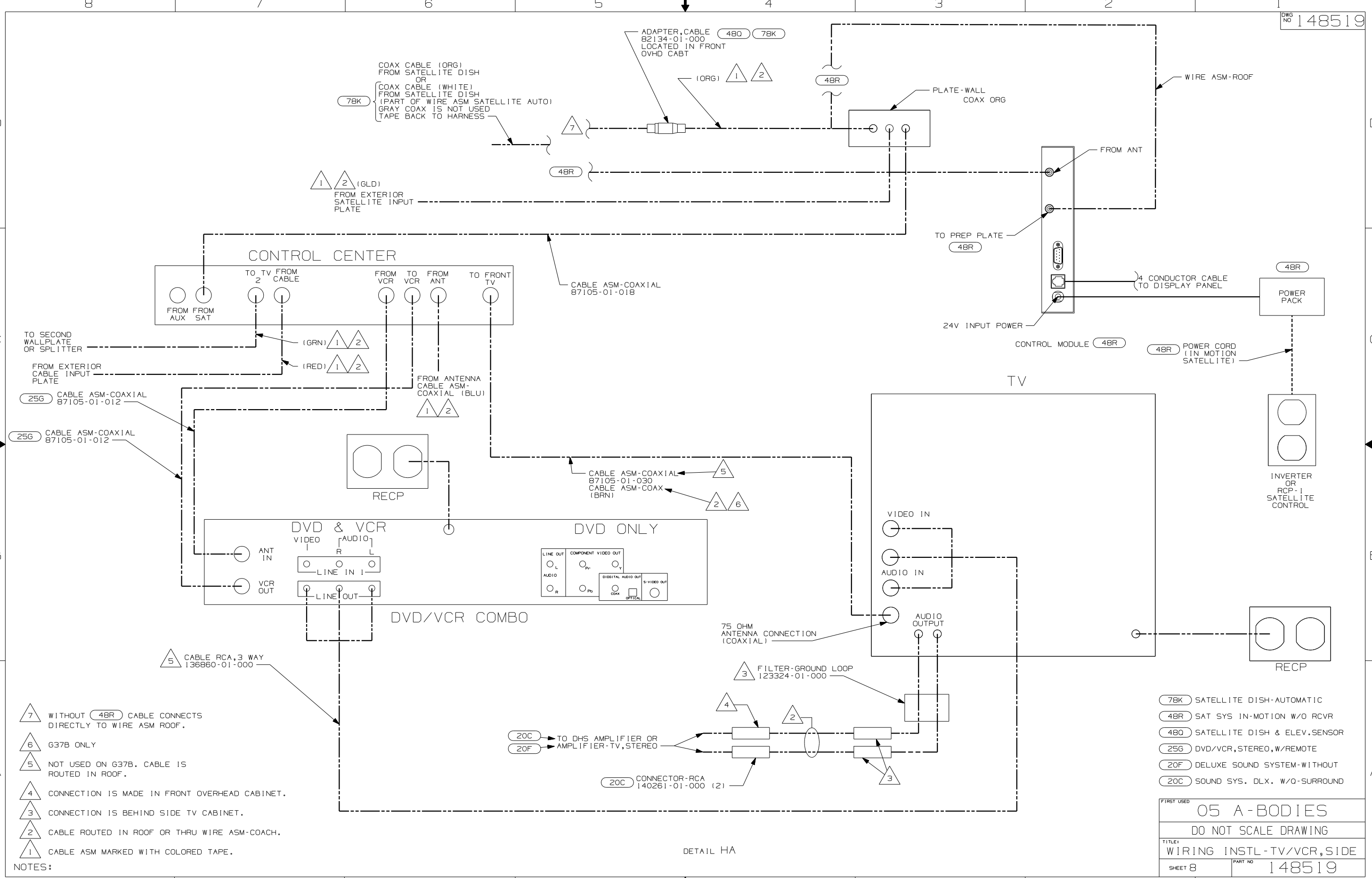
- NOTES:
- 6 PARTS ARE SUPPLIED WITH SATELLITE KIT 154474-02-000.
 - 5 POSITION TRANSMITTER IN THE MIDDLE OF TOP SHELF.
 - 4 POSITION TRANSMITTER UNDERNEATH DVD/VCR, 170MM FROM RIGHT SIDE OF DVD/VCR.
 - 3 SEE WIRING INSTALLATION-BODY, 110V FOR ADDITIONAL INFORMATION.
 - 2 SEE WIRING INSTALLATION-BODY, 12V FOR ADDITIONAL INFORMATION.
 - 1 SWITCH SUPPLIED WITH SATELLITE DISH.



- NOTES:
- 6 PARTS ARE SUPPLIED WITH SATELLITE KIT 154474-02-000.
 - 5 NOT USED WITH 40B.
 - 4 POSITION TRANSMITTER UNDERNEATH DVD/VCR, 170 mm FROM RIGHT SIDE OF DVD/VCR.
 - 3 POSITION TRANSMITTER IN THE MIDDLE OF THE TOP SHELF OPENING.
 - 2 SEE WIRING INSTALLATION-BODY,12V FOR ADDITIONAL INFORMATION.
 - 1 SWITCH SUPPLIED WITH SATELLITE DISH.

- 79H ENTERTAINMENT CTR-INTERIOR
- 42E TV-27" COLOR,STEREO W/REMOTE
- 40B INVERTER-DC/AC, 300 WATT
- 25G DVD/VCR,STEREO,W/REMOTE
- 20F DELUXE SOUND SYSTEM-WITHOUT
- 20C SOUND SYS. DLX. W/O-SURROUND

FIRST USED	
05 A-BODIES	
DO NOT SCALE DRAWING	
TITLE: WIRING INSTL-TV/VCR,SIDE	
SHEET 7	PART NO 148519

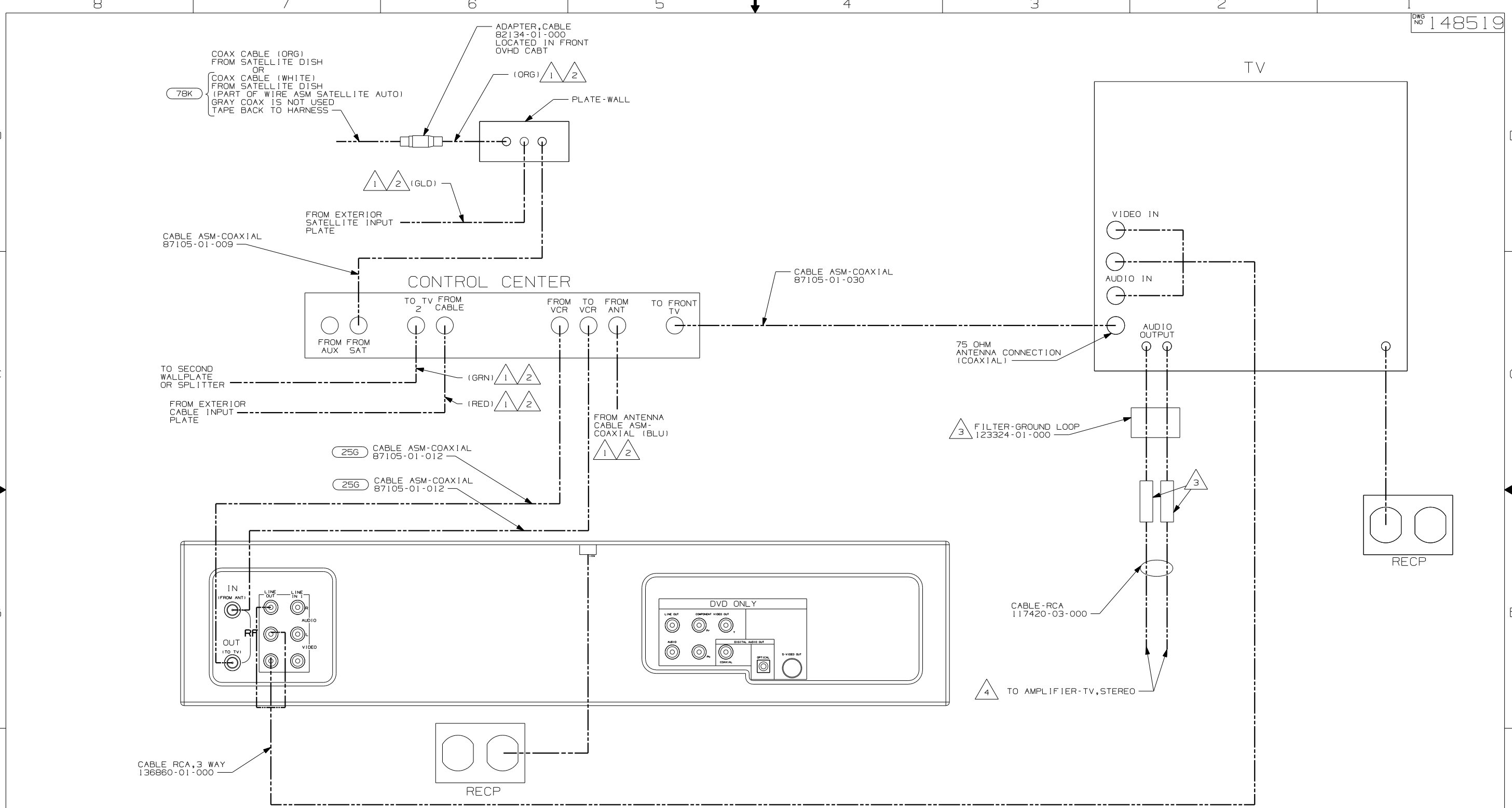


- 7 WITHOUT 48R CABLE CONNECTS DIRECTLY TO WIRE ASM ROOF.
- 6 G37B ONLY
- 5 NOT USED ON G37B. CABLE IS ROUTED IN ROOF.
- 4 CONNECTION IS MADE IN FRONT OVERHEAD CABINET.
- 3 CONNECTION IS BEHIND SIDE TV CABINET.
- 2 CABLE ROUTED IN ROOF OR THRU WIRE ASM-COACH.
- 1 CABLE ASM MARKED WITH COLORED TAPE.

- 78K SATELLITE DISH-AUTOMATIC
- 48R SAT SYS IN-MOTION W/O RCVR
- 480 SATELLITE DISH & ELEV.SENSOR
- 25G DVD/VCR, STEREO, W/REMOTE
- 20F DELUXE SOUND SYSTEM-WITHOUT
- 20C SOUND SYS. DLX. W/O-SURROUND

FIRST USED	
05 A-BODIES	
DO NOT SCALE DRAWING	
TITLE:	
WIRING INSTL-TV/VCR, SIDE	
SHEET 8	PART NO 148519

DETAIL HA

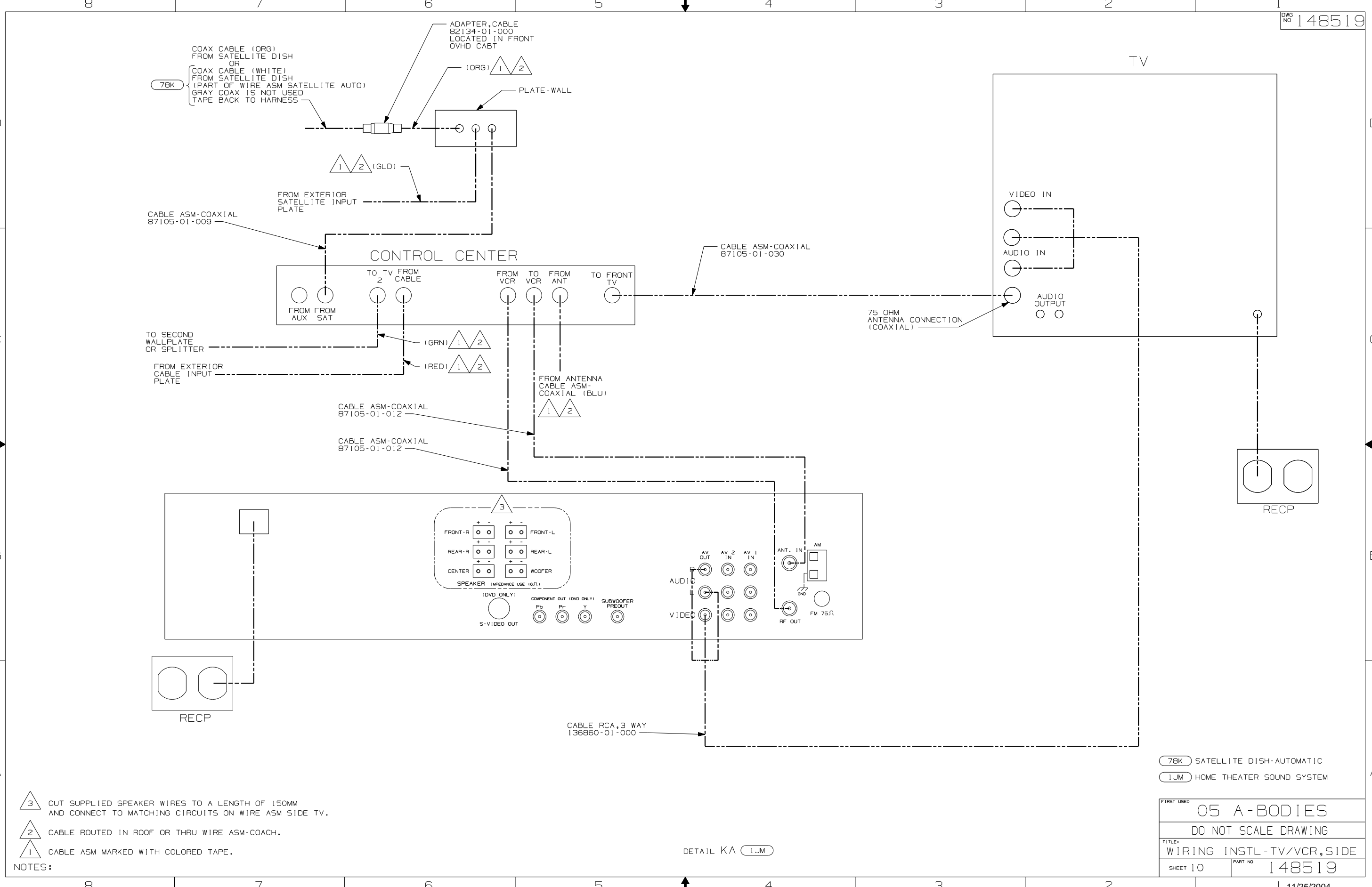


- NOTES:
- 4 CONNECTION IS MADE IN BEHIND VIDEO SWITCH.
 - 3 CONNECTION IS BEHIND SIDE TV CABINET.
 - 2 CABLE ROUTED IN ROOF OR THRU WIRE ASM-COACH.
 - 1 CABLE ASM MARKED WITH COLORED TAPE.

- 78K SATELLITE DISH-AUTOMATIC
- 25G DVD/VCR, STEREO, W/REMOTE
- 1JM HOME THEATER SOUND SYSTEM

FIRST USED	05 A-BODIES
DO NOT SCALE DRAWING	
TITLE	WIRING INSTL-TV/VCR, SIDE
SHEET 9	PART NO 148519

DETAIL JA



- 3 CUT SUPPLIED SPEAKER WIRES TO A LENGTH OF 150MM AND CONNECT TO MATCHING CIRCUITS ON WIRE ASM SIDE TV.
- 2 CABLE ROUTED IN ROOF OR THRU WIRE ASM-COACH.
- 1 CABLE ASM MARKED WITH COLORED TAPE.

NOTES:

DETAIL KA 1JM

78K	SATELLITE DISH-AUTOMATIC
1JM	HOME THEATER SOUND SYSTEM
FIRST USED	
05 A-BODIES	
DO NOT SCALE DRAWING	
TITLE:	
WIRING INSTL-TV/VCR,SIDE	
SHEET 10	PART NO 148519