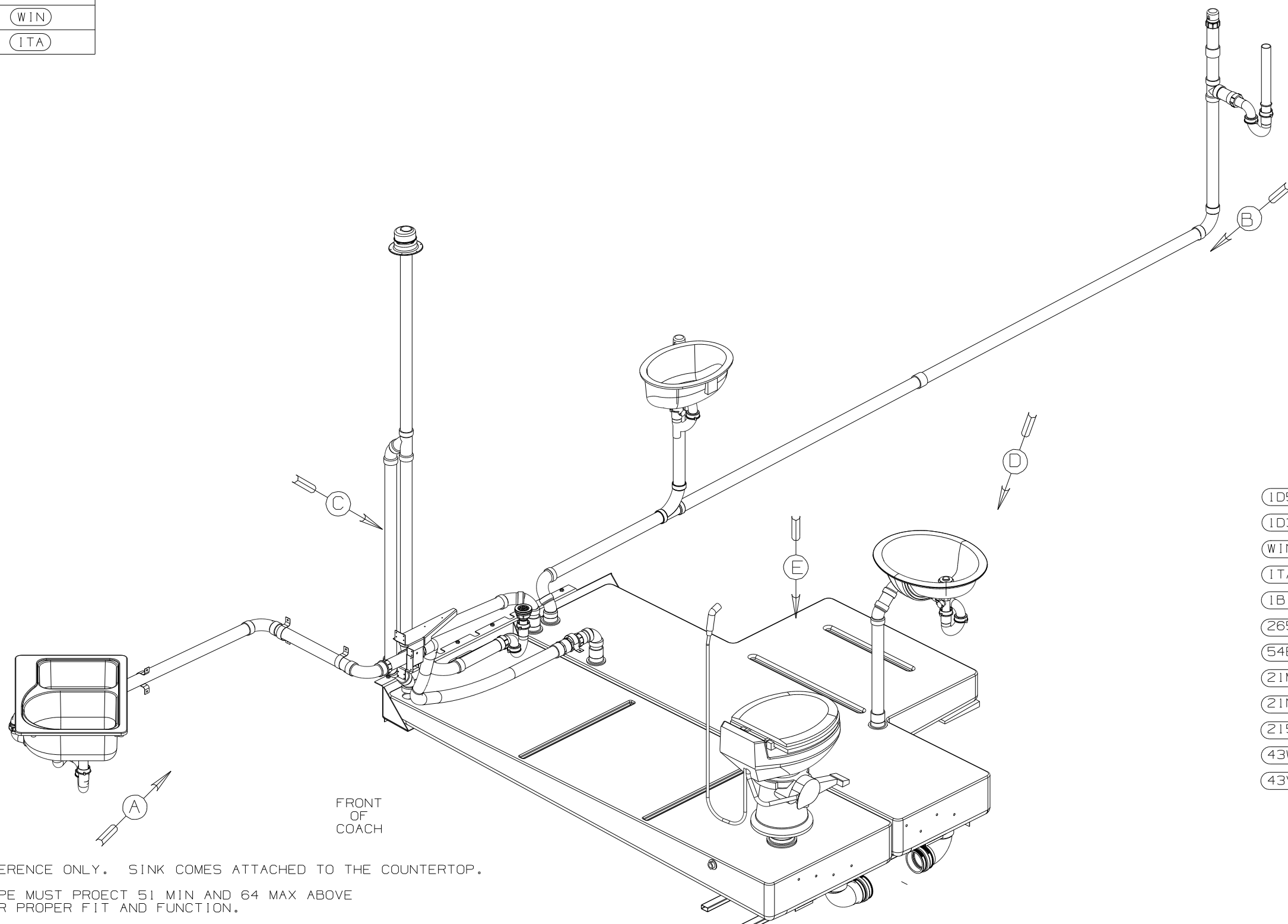


DWG NO	--
149969-01	(WIN)
149969-02	(ITA)

RELEASE	REV DATE	DWG NO
A		149969
REV ZONE	REVISION RECORD	DATE

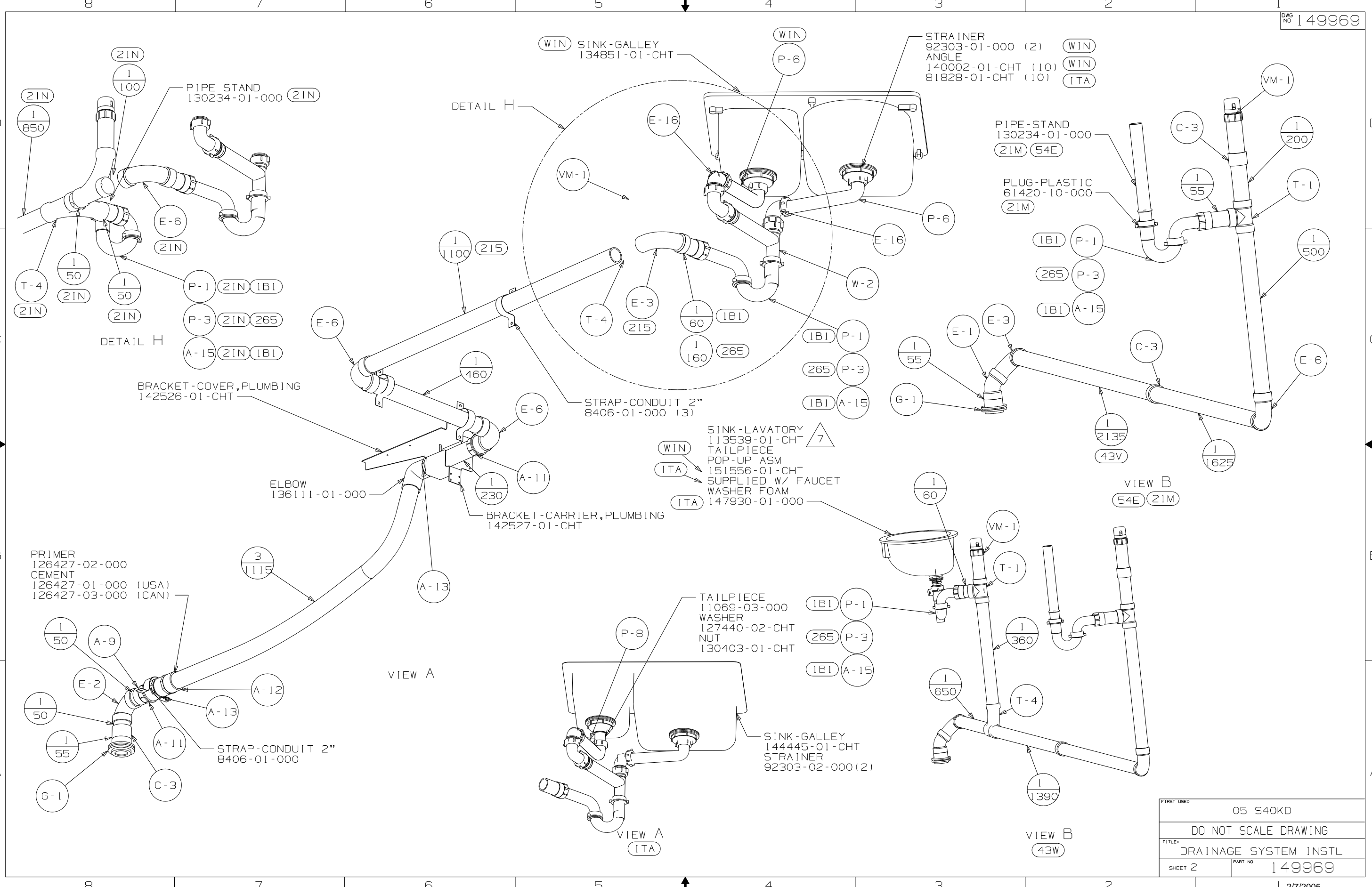


- (ID5) ENTERTAINMENT CENTR/EXT W/CD
- (ID3) ENTERTAIN CENTR/EXT TV-DVD
- (WIN) WINNEBAGO ONLY
- (ITA) ITASCA ONLY
- (IB1) CODES/STANDARDS USA
- (265) CODES/STDS-CSA,CMVSS
- (54E) WASHER DRYER
- (2IM) WASHER/DRYER PREP
- (2IN) DISHER WASHER/BUILT-IN
- (215) DISHWASHER WITHOUT
- (43W) CABINET-LAVATORY
- (43V) CABINET-CHEST OF DRAWERS

- NOTES:
- 7 FOR REFERENCE ONLY. SINK COMES ATTACHED TO THE COUNTERTOP.
 - 6 VENT PIPE MUST PROECT 51 MIN AND 64 MAX ABOVE ROOF FOR PROPER FIT AND FUNCTION.
 5. SEAL AROUND SHOWER WITH SILICONE.
 4. ALL EXTERIOR OPENINGS AROUND PIPE TO BE SEALED WITH 110744-01-000.
 3. ALL PIPE AND FITTINGS TO BE ASSEMBLED WITH SOLVENT 4020-01-000 (US), 4020-02-000 (CAN).
 2. SLOPE OF TRAP ARM MUST BE 6 PER 305 mm.
 1. SLOPE OF HORIZONTAL PIPING TO BE MIN 3 PER 305 mm.

(X-X)
FOR
DRAINAGE
CALLOUTS
SEE DWG NO
116229-01-000

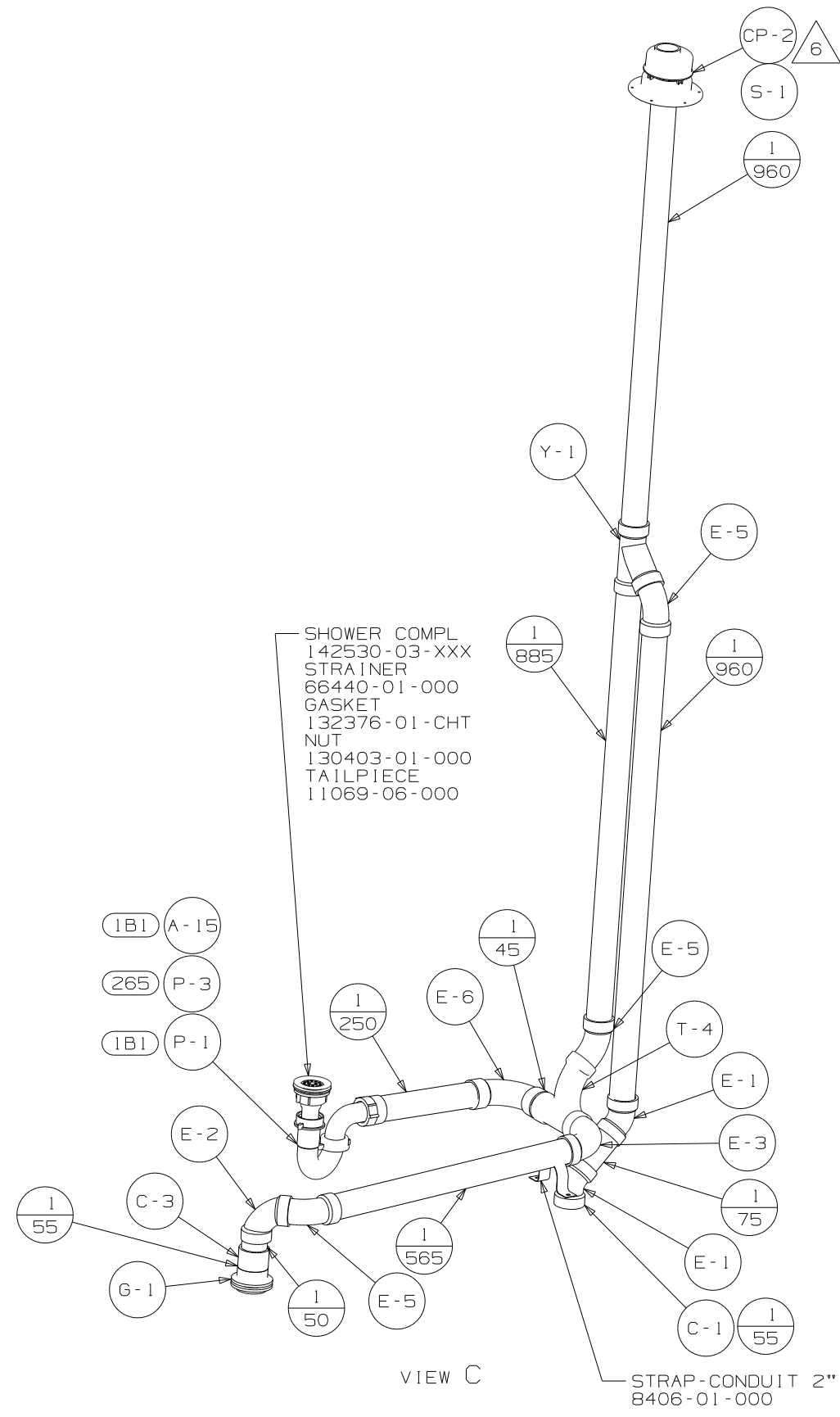
WINNEBAGO		COPYRIGHT 2005 WINNEBAGO INDUSTRIES, INC.	
DFT	ORIG. DATE	ALL DIMENSIONS ARE IN MILLIMETERS	
CHKR		FIRST USED	
P.E.		05 S40KD	
M.E.		UNSPECIFIED TOLERANCES ARE:	
DSNR		MATERIAL:	
		WHOLE DIM (X)	: 3
		ONE-PLACE (X.X)	: 1.5
		TWO-PLACE (X.XX)	: 0.50
		ANGLE	: 1°
THIRD ANGLE PROJECTION		DO NOT SCALE DRAWING	
TITLE: DRAINAGE SYSTEM INSTL			
SHEET 1 OF 4		PART NO 149969	



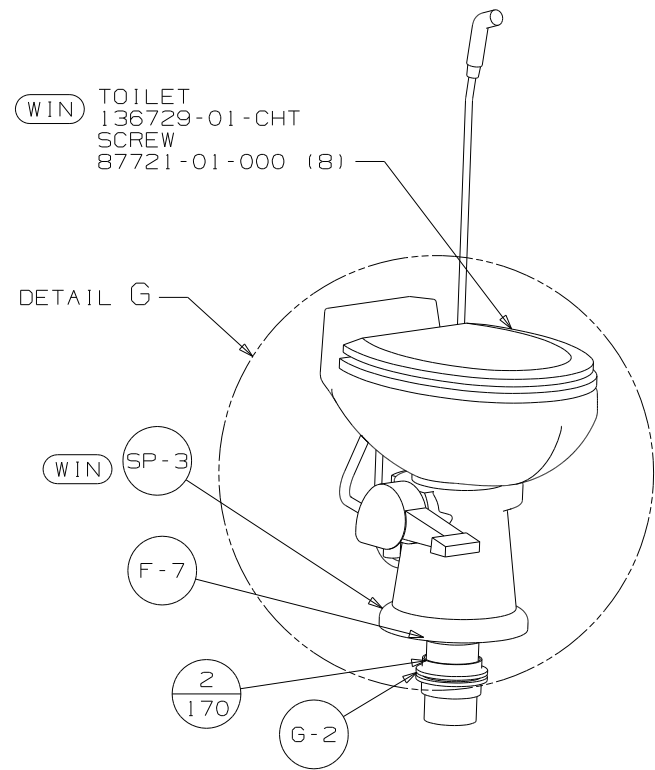
8
7
6
5
4
3
2
1

D
C
B
A

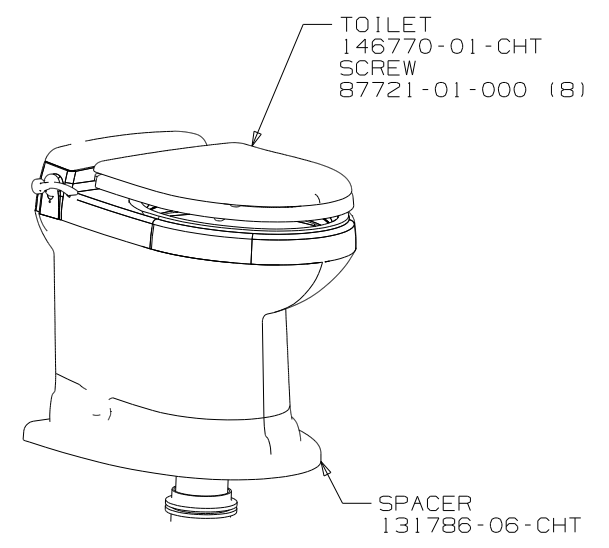
FIRST USED	05 S40KD
TITLE	DO NOT SCALE DRAWING
TITLE	DRAINAGE SYSTEM INSTL
SHEET 2	PART NO 149969



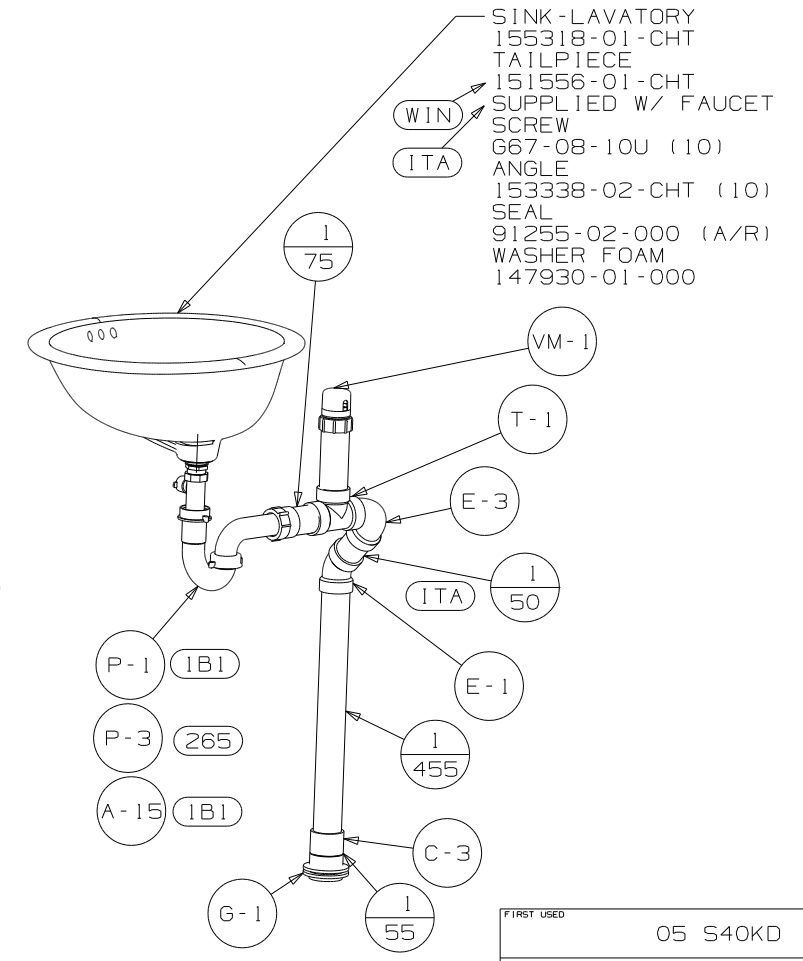
VIEW C



DETAIL G

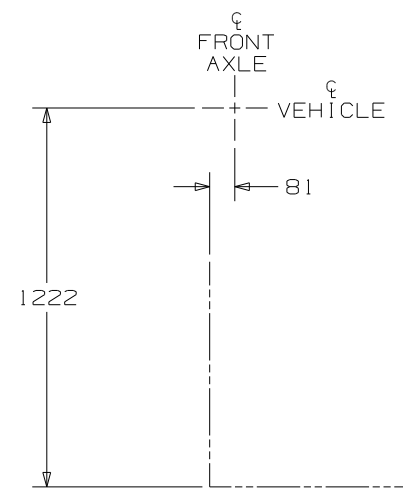


DETAIL G
ITA



VIEW D

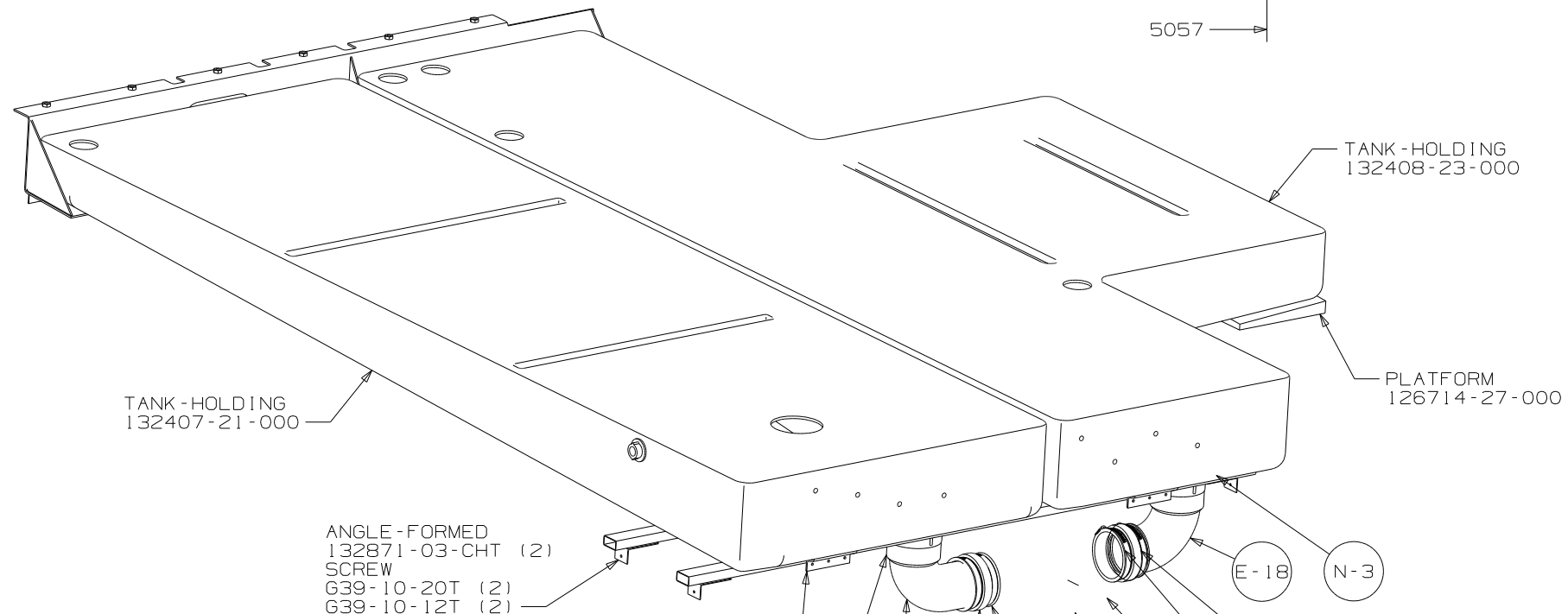
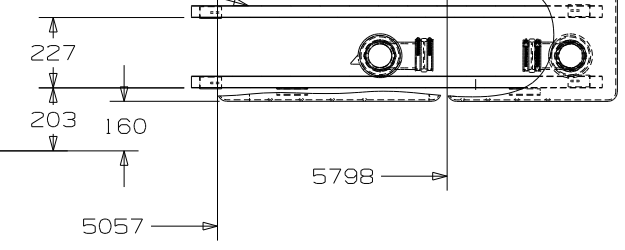
FIRST USED	05 S40KD
DO NOT SCALE DRAWING	
TITLE	DRAINAGE SYSTEM INSTL
SHEET 3	PART NO 149969



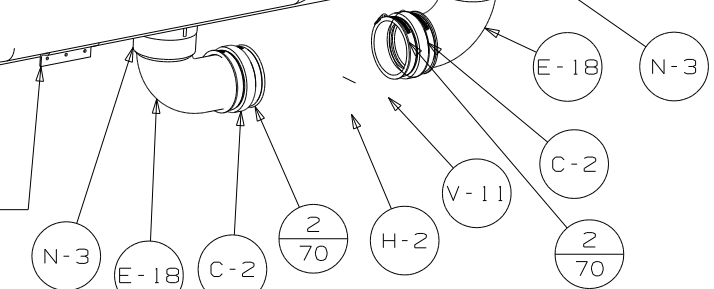
- BRACKET
- (ID5) 145872-01-CHT
- (ID3) 152411-01-CHT
- BOLT
- C26-05-12B (6)

- SUPPORT ASM-HOLDING TANK
- 133839-03-CHT (2)
- SCREW
- G39-10-20T (2)

VIEW E



VIEW F

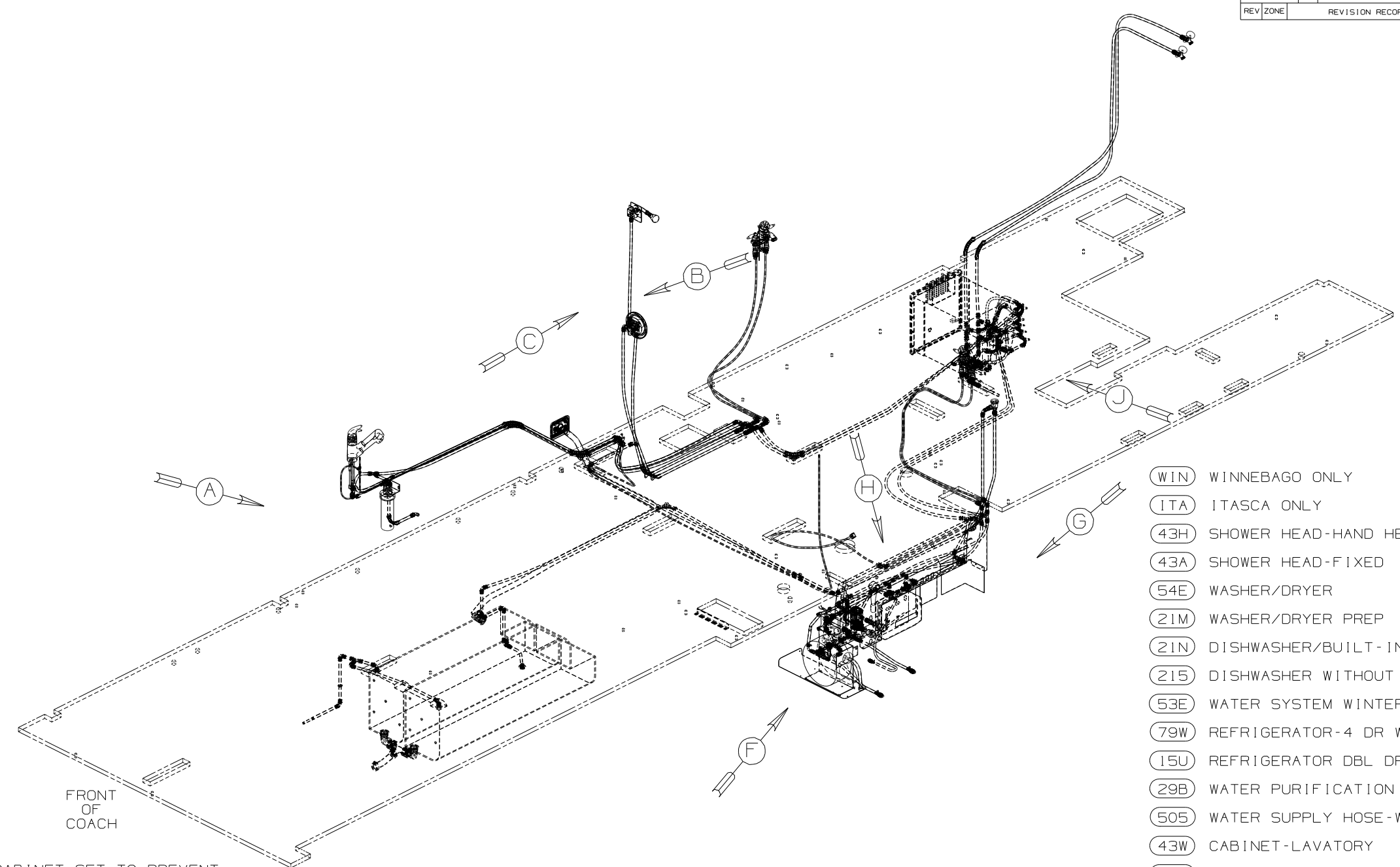


- VALVE-SEWER HOSE
- 144728-01-000
- CLAMP-HOSE
- 062401-09-000
- LABEL-DRIP VALVE
- 147845-01-CHT

FIRST USED	05 S40KD
TITLE	DO NOT SCALE DRAWING
SHEET 4	PART NO 149969
	1 2/7/2005

DWG NO	----
149970-01	(WIN)
149970-02	(ITA)

RELEASE	REV DATE	DWG NO
A		149970
REV ZONE	REVISION RECORD	DATE
		DFTR-0016



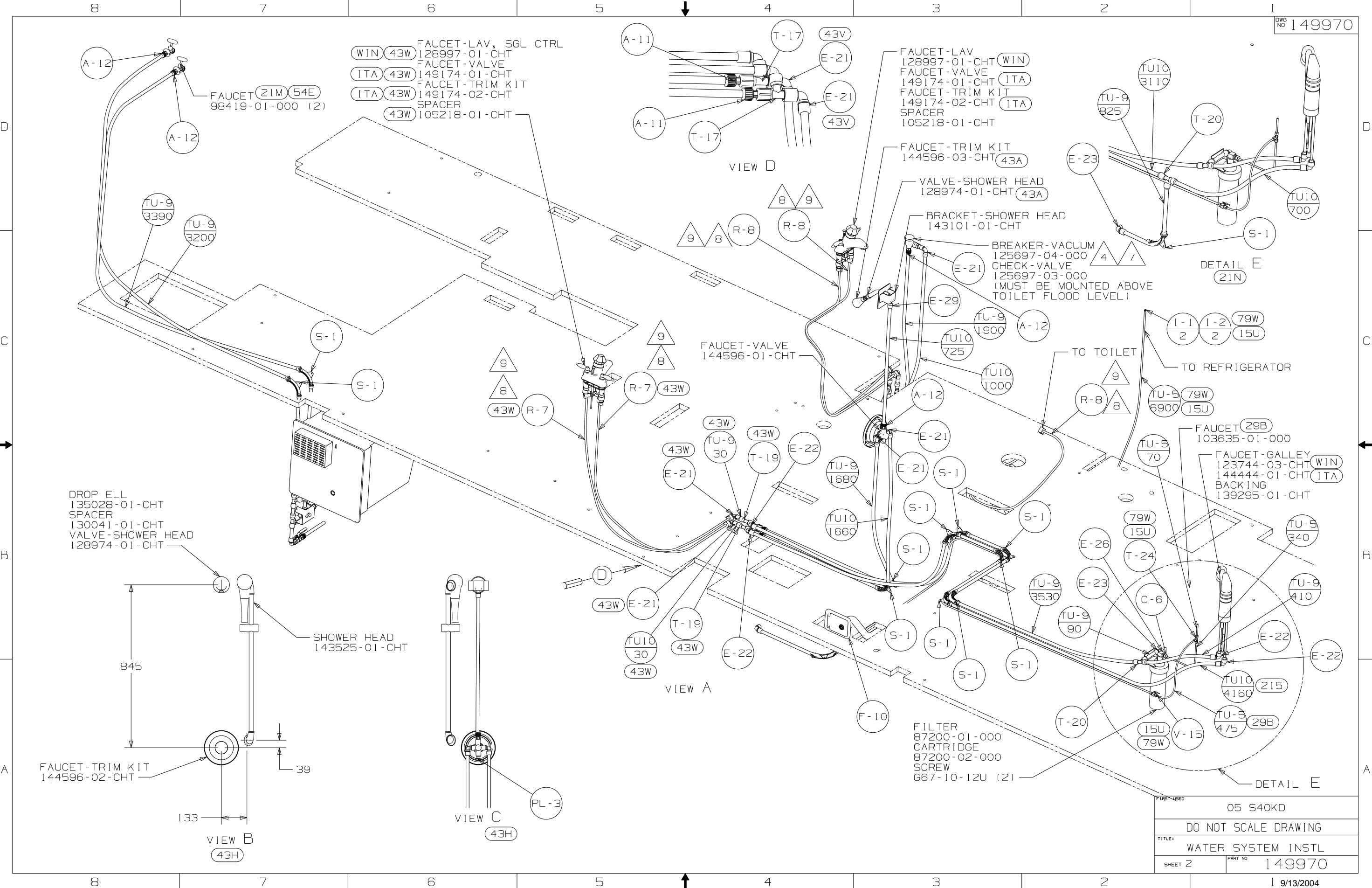
- (WIN) WINNEBAGO ONLY
- (ITA) ITASCA ONLY
- (43H) SHOWER HEAD-HAND HELD
- (43A) SHOWER HEAD-FIXED
- (54E) WASHER/DRYER
- (21M) WASHER/DRYER PREP
- (21N) DISHWASHER/BUILT-IN
- (215) DISHWASHER WITHOUT
- (53E) WATER SYSTEM WINTERIZATION PKG
- (79W) REFRIGERATOR-4 DR W/ICEMAKER
- (15U) REFRIGERATOR DBL DR W/ICEMAKER
- (29B) WATER PURIFICATION SYSTEM
- (505) WATER SUPPLY HOSE-W/REEL
- (43W) CABINET-LAVATORY
- (43V) CABINET-CHEST OF DRAWERS

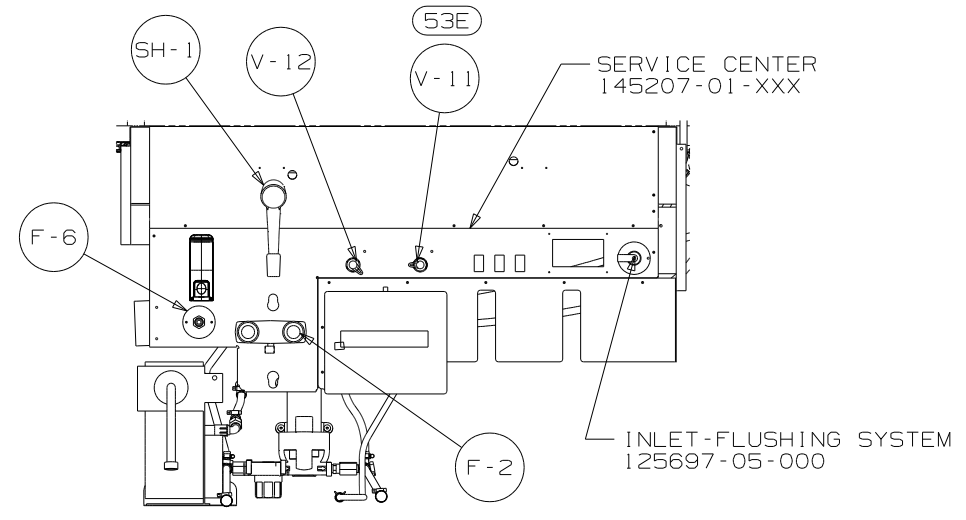
- 9 TAPE FITTING TO TUBE BEFORE CABINET SET TO PREVENT FITTING FROM MOVING.
 - 8 LABEL HOT AND COLD SUPPLY TUBES.
 - 7 ADD TEFLON TAPE 10405-03-000.
 - 6 ADD TEFLON TAPE 10405-01-000.
 - 5 ADD TEFLON TAPE 10405-02-000.
 - 4 FLUSHING SYSTEM REQUIRES 125697-06-000 INSTRUCTION SHEET.
3. ALL TUBING TO BE SECURED AT 1200 INTERVALS MAXIMUM WITH CLAMP 10495-01-000 OR CLIP 9151-01-000 AND SCREW G67-10-12B.
 2. TUBING TO BE INSTALLED WITH SUFFICIENT SLOPE TO PROVIDE DRAINAGE TO NEAREST VALVE.
 1. PLASTIC FITTINGS TO BE SEALED WITH SEALANT 84456-01-000.

NOTES:

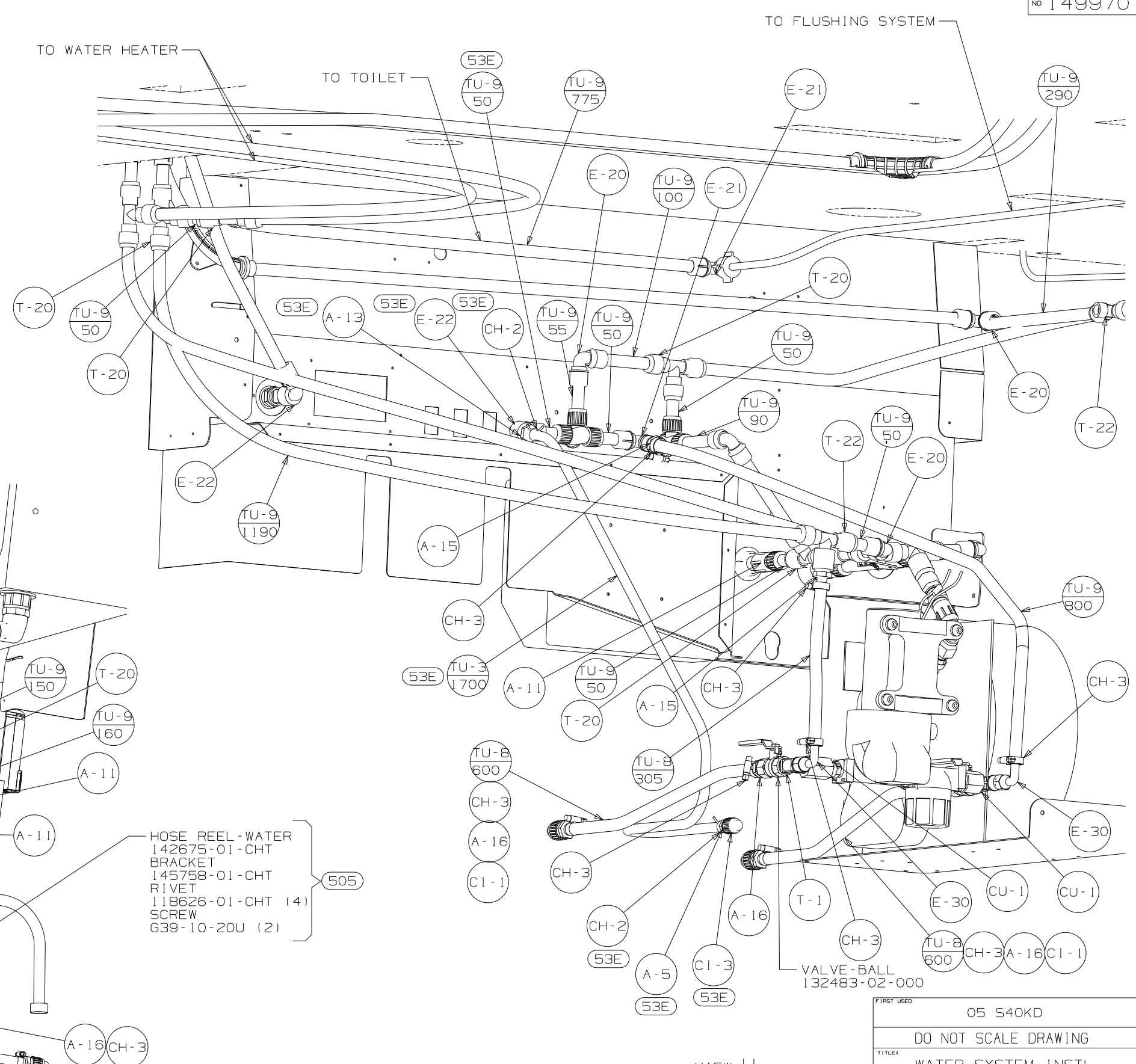
(X-X)
FOR
WATER
CALLOUTS
SEE DWG NO
116230-01-000

WINNEBAGO		COPYRIGHT 2004 WINNEBAGO INDUSTRIES, INC.	
DFTR	ORIG. DATE	ALL DIMENSIONS ARE IN MILLIMETERS	
CHKR		FIRST USED	
P.E.		05 S40KD	
M.E.		UNSPECIFIED TOLERANCES ARE:	
DSNR		MATERIAL:	
		WHOLE DIM (X)	: 3
		ONE-PLACE (X.X)	: 1.5
		TWO-PLACE (X.XX)	: 0.50
		ANGLE	: 1°
THIRD ANGLE PROJECTION		DO NOT SCALE DRAWING	
TITLE: WATER SYSTEM INSTL			
SHEET 1 OF 4		PART NO 149970	



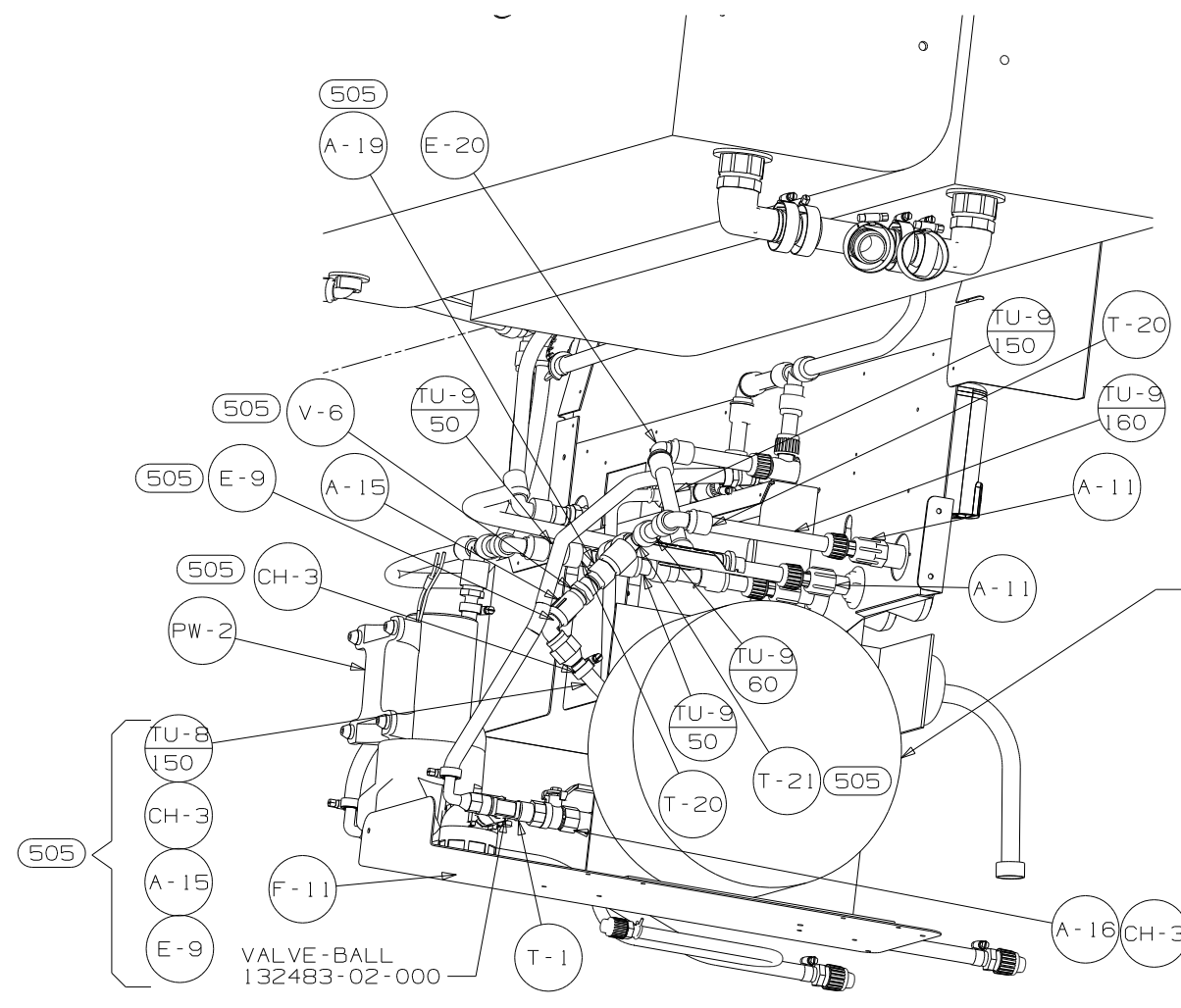


VIEW F



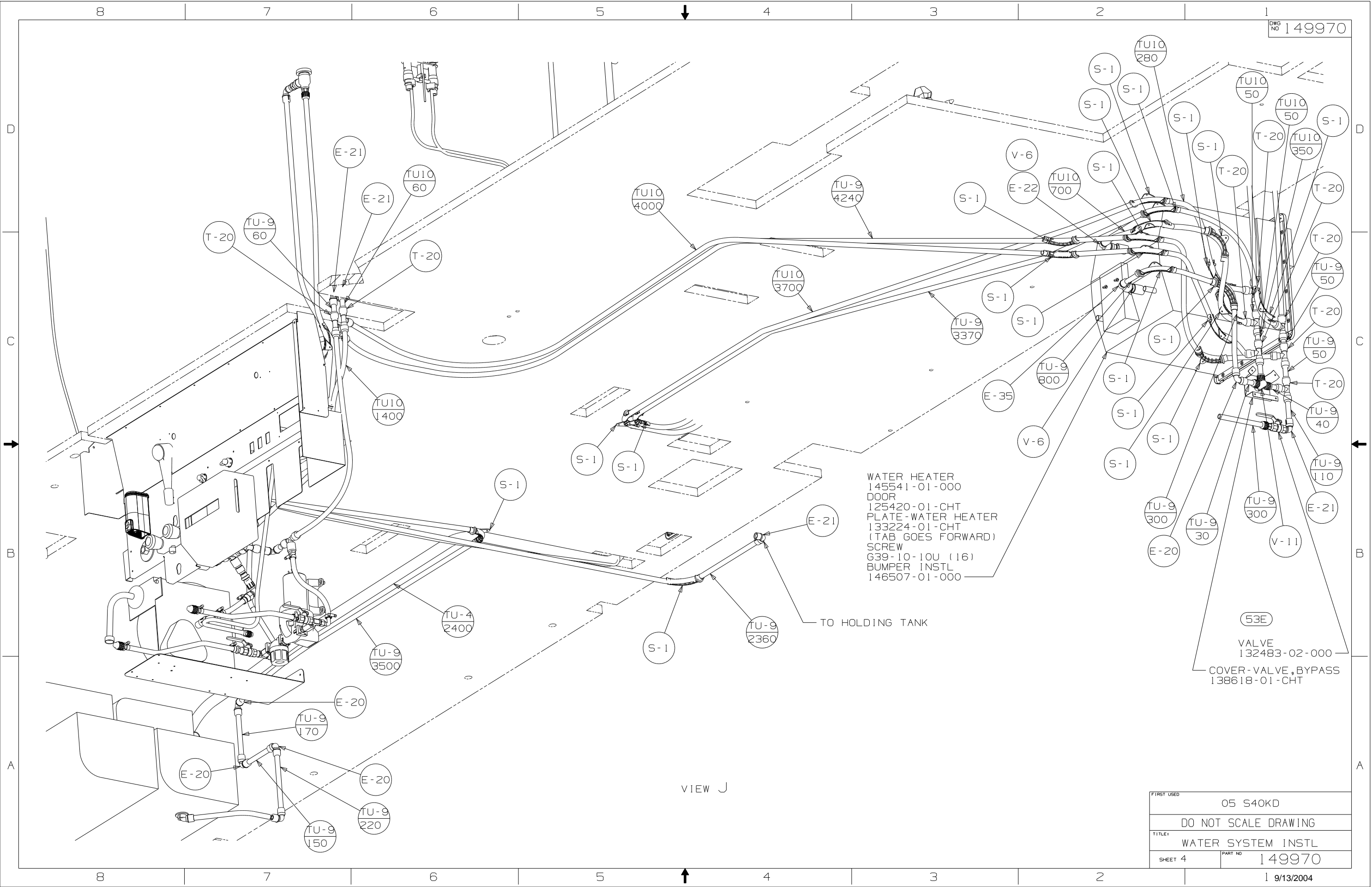
VIEW G

VIEW H



VIEW H

FIRST USED	05 S40KD
TITLE	DO NOT SCALE DRAWING
SHEET 3	PART NO 149970
	9/13/2004



- WATER HEATER
145541-01-000
- DOOR
125420-01-CHT
- PLATE-WATER HEATER
133224-01-CHT
(TAB GOES FORWARD)
- SCREW
G39-10-10U (16)
- BUMPER INSTL
146507-01-000

TO HOLDING TANK

- 53E
- VALVE
132483-02-000
- COVER-VALVE, BYPASS
138618-01-CHT

VIEW J

FIRST USED	05 S40KD
DO NOT SCALE DRAWING	
TITLE	WATER SYSTEM INSTL
SHEET 4	PART NO 149970